

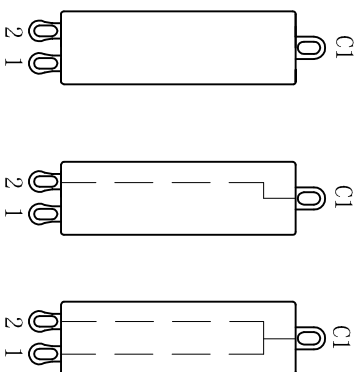
NOTES:  
1. Approval & Rating:

- CCC 10(2)A 250V AC T85
- ETL 15 GPA 125V AC T85
- 10 GPA 250V AC T85
- TUV 10(2)A 250V AC T85
- CB 10(2)A 250V AC T85

- 2. Circuit Diagram: 1Pole 3Throw
- 3. Terminal Strength:  $\geq 30N$
- 4. Electrical Life:  $\geq 10000$  cycles
- 5. Withstand Voltage: Withstand Voltage: 1500VAC 1min  
Terminals to Button: 2500VAC 1min  
Leakage Current: 1mA

- 6. Current resistance:  $\leq 50m\Omega$  (initial)
- 7. Insulation resistance:  $\geq 100M\Omega$
- 8. Body Material: NYLON 66 94V-0~2

### #002线路Circuit



1档  
2档  
3档  
(起始档)

4			普通公差:		施霸(中国)电器制品有限公司					
3			COMMON TOLERANCE:		SIBER (CHINA) ELECTRIC MFG. CO., LTD					
2			UP TO 5	$\pm 0.20$	单位	mm	投影	投	品名	踏板开关
1			ABOVE 5 TO 30	$\pm 0.30$	绘图		核	核	型号	XN-14B
			ABOVE 30	$\pm 0.50$	日期	2015.09.11	核	核	图号	XN-14B
V.	DATE	REVISION DESCRIPTION	ANGULAR	$\pm 5^\circ$	日期		核	核	图号	XN-14B
					DATE		APPROVAL BY		DWG. NO.	