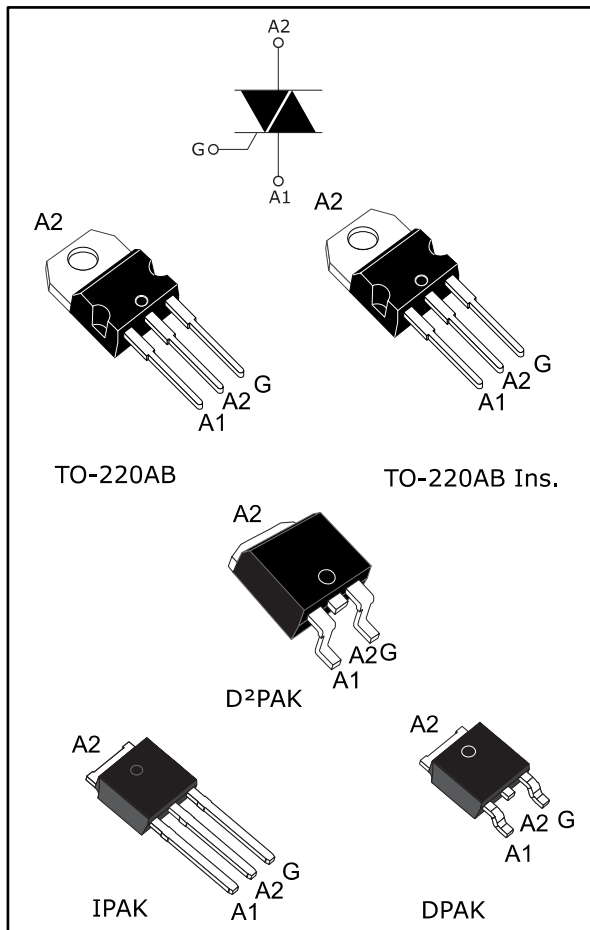


Snubberless™, logic level and standard 8 A Triacs

Datasheet - production data



Features

- On-state rms current, $I_{T(RMS)}$ 8 A
- Repetitive peak off-state voltage, V_{DRM} / V_{RRM} 600 V to 800 V
- Triggering gate current, $I_{GT(Q1)}$ 5 to 50 mA

Description

Available either in through-hole and surface-mount packages, these devices are suitable for general purpose AC switching. They can be used as an ON/OFF function in applications such as static relays, heating regulation, induction motor starting circuits or for phase control operation in light dimmers and motor speed controllers, etc.

The Snubberless versions (BTA, BTB08_xxxxW and T8 series) are specially recommended for use on inductive loads, thanks to their high commutation performance.

Logic level versions are designed to interface directly with low power drivers such as Microcontrollers.

By using an internal ceramic pad, the BTA series provide voltage insulated tab (rated at 2500 V_{RMS}) in compliance with UL standards (file ref.: E81734).

1 Characteristics

Table 1: Absolute maximum ratings (T_j = 25 °C unless otherwise stated)

Symbol	Parameter			Value	Unit
I _{T(RMS)}	RMS on-state current (full sine wave)	IPAK, DPAK, TO-220AB, D ² PAK	T _c = 110 °C	8	A
		TO-220ABIns.	T _c = 100 °C		
I _{TSM}	Non repetitive surge peak on-state current (full cycle, T _j initial = 25 °C)	f = 50 Hz	t = 20 ms	80	A
		f = 60 Hz	t _p = 16.7 ms	84	
I ² t	I ² t value for fusing		t _p = 10 ms	36	A ² s
di/dt	Critical rate of rise of on-state current I _G = 2 x I _{GT} , tr ≤ 100 ns	f = 120 Hz	T _j = 125 °C	50	A/μs
I _{GM}	Peak gate current	t _p = 20 μs	T _j = 125 °C	4	A
P _{G(AV)}	Average gate power dissipation		T _j = 125 °C	1	W
T _{stg}	Storage junction temperature range			-40 to +150	°C
T _j	Operating junction temperature range			-40 to +125	°C

Table 2: Electrical characteristics (T_j = 25 °C, unless otherwise specified) Snubberless and logic level (3 quadrants)

Symbol	Parameter	Quadrant		T8			BTA08/BTB08				Unit
				10	35	50	TW	SW	CW	BW	
I _{GT} ⁽¹⁾	V _D = 12 V, R _L = 30 Ω	I - II - III	Max.	10	35	50	5	10	35	50	mA
V _{GT}		I - II - III	Max.	1.2						V	
V _{GD}	V _D = V _{DRM} , R _L = 3.3 kΩ, T _j = 125 °C	I - II - III	Min.	0.2						V	
I _H ⁽²⁾	I _T = 100 mA		Max.	15	35	50	10	15	35	50	mA
I _L	I _G = 1.2 x I _{GT}	I - III	Max.	25	50	70	10	25	50	70	mA
		II	Max.	30	60	80	15	30	60	80	
dV/dt	V _D = 67% V _{DRM} , gate open, T _j = 125 °C		Max.	40	400	1000	20	40	400	1000	V/μs
(di/dt) _c	(dV/dt) _c = 0.1 V/μs, T _j = 125 °C		Min.	5.4			3.5	5.4			A/ms
	(dV/dt) _c = 10 V/μs, T _j = 125 °C		Min.	2.8			1.5	2.98			
	Without snubber, T _j = 125 °C		Min.		4.5	7			4.5	7	

Notes:

⁽¹⁾Minimum I_{GT} is guaranteed at 5 % of I_{GT} max.

⁽²⁾For both polarities of A2 referenced to A1

Table 3: Standard (4 quadrants)

Symbol	Parameter	Quadrant		BTA08/BTB08		Unit
				C	B	
I _{GT} ⁽¹⁾	V _D = 12 V, R _L = 33 Ω	I - II - III	Max.	25	50	mA
		IV		50	100	
V _{GT}		All	Max.	1.3		V
V _{GD}	V _D = V _{DRM} , R _L = 33 Ω, T _j = 125 °C	All	Min.	0.2		V
I _H ⁽²⁾	I _T = 500 mA		Max.	25	50	mA
I _L	I _G = 1.2 I _{GT}	I - III - IV	Max.	40	50	mA
		II		80	100	
dV/dt ⁽²⁾	V _D = 67 % V _{DRM} gate open, T _j = 125 °C		Min.	200	400	
(dI/dt) _c ⁽²⁾	(dI/dt) _c = 5.3 A/ms, T _j = 125 °C		Min.	5	10	V/μA

Notes:

⁽¹⁾ Minimum I_{GT} is guaranteed at 5 % of I_{GT} max.

⁽²⁾ For both polarities of A2 referenced to A1

Table 4: Static electrical characteristics

Symbol	Test conditions			Value	Unit
V _{TM} ⁽¹⁾	I _{TM} = 11 A, t _p = 380 μs	T _j = 25 °C	Max.	1.55	V
V _{TO} ⁽¹⁾	threshold on-state voltage		Max.	0.85	V
R _D ⁽¹⁾	Dynamic resistance		Max.	50	mΩ
I _{DRM} I _{RDM}	V _{DRM} = V _{RDM}	T _j = 25 °C	Max.	5	μA
		T _j = 125 °C	Max.	1	mA

Notes:

⁽¹⁾For both polarities of A2 referenced to A1

Table 5: Thermal resistance

Symbol	Parameter		Value	Unit	
R _{th(j-c)}	Max. junction to case thermal resistance (AC)		IPAK / D2PAK / DPAK / TO-220AB	1.6	°C/W
			TO-220AB Insulated	2.5	
R _{th(j-a)}	Junction to ambient	S ⁽¹⁾ = 1 cm ²	D ² PAK	45	°C/W
		S = 1 cm ²	DPAK	70	
	Junction to ambient	TO-220AB / TO-220AB Insulated		60	
		IPAK		100	

Notes:

⁽¹⁾S = Copper surface under tab

1.1 Characteristics (curves)

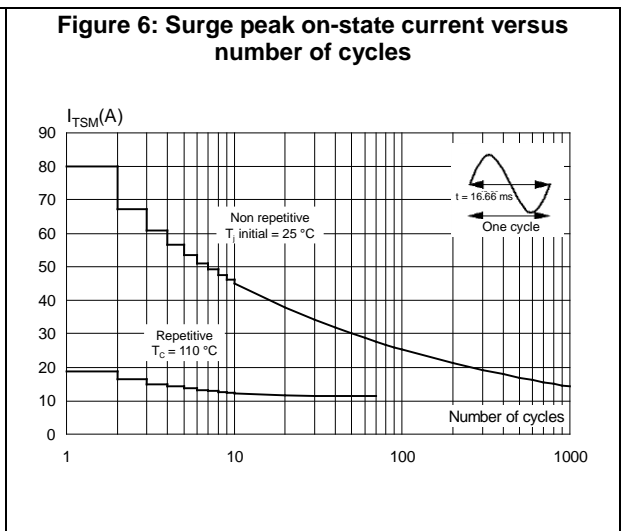
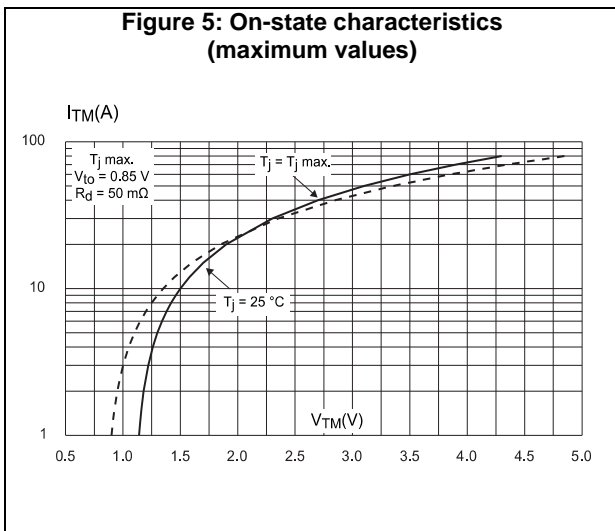
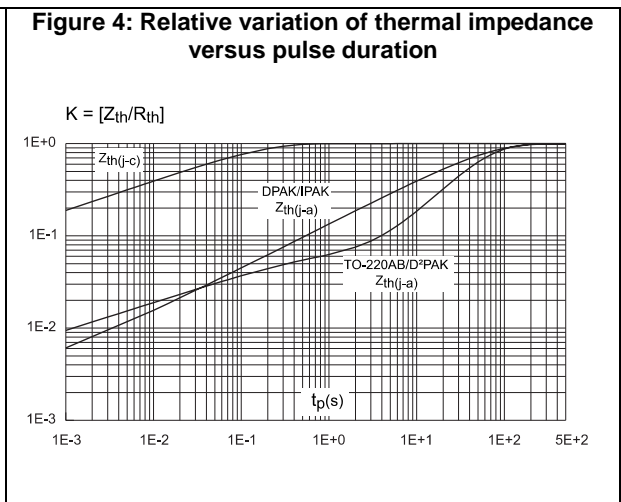
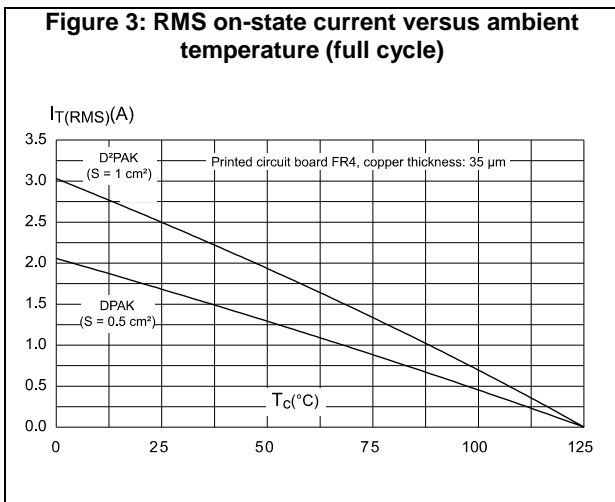
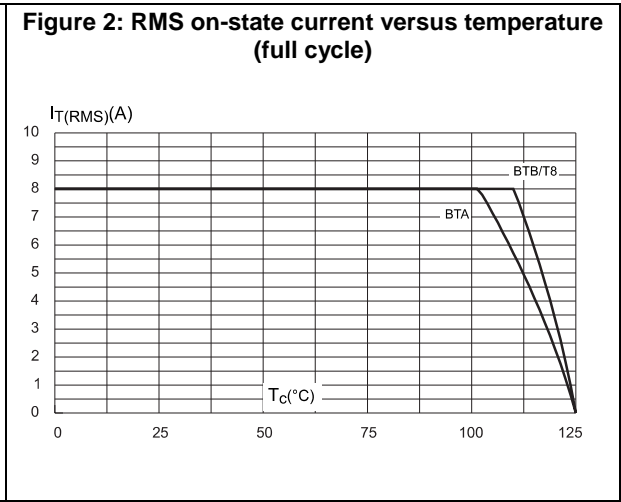
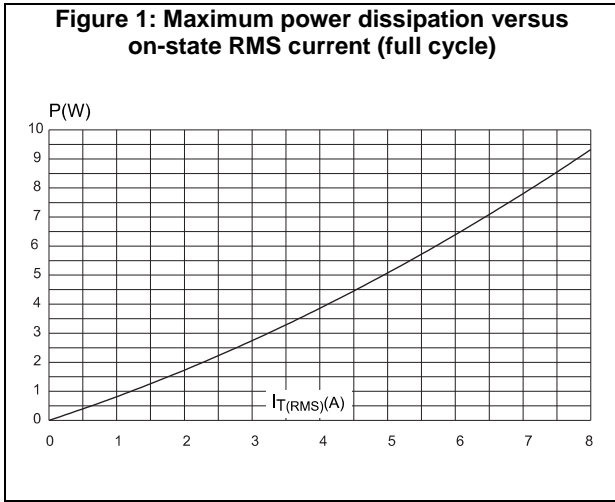


Figure 7: Non repetitive surge peak on-state current for a sinusoidal pulse ($t_p < 10$ ms)

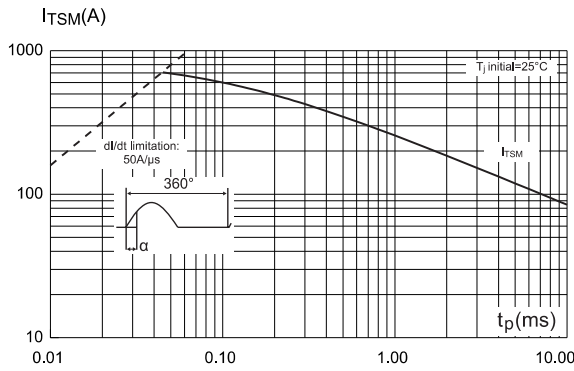


Figure 8: Relative variation of gate trigger current

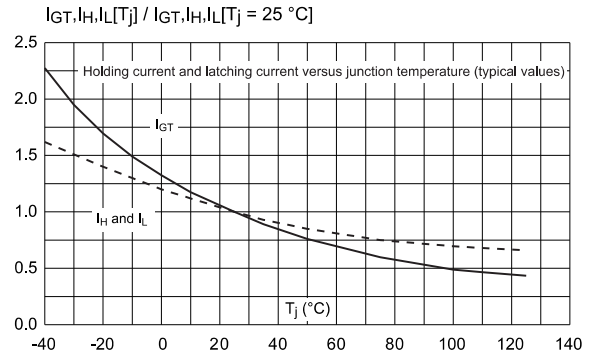


Figure 9: Relative variation of critical rate of decrease of main current versus $(dV/dt)_c$ (typical values)

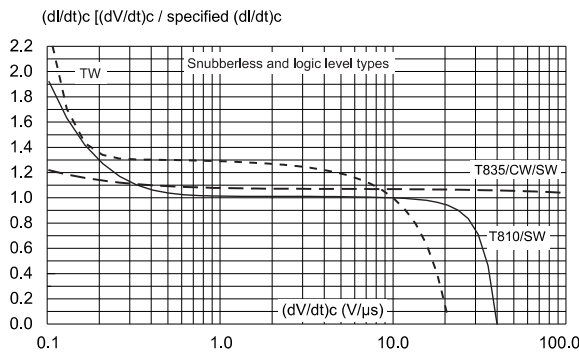


Figure 10: Relative variation of critical rate of decrease of main current versus $(dV/dt)_c$ (typical values)

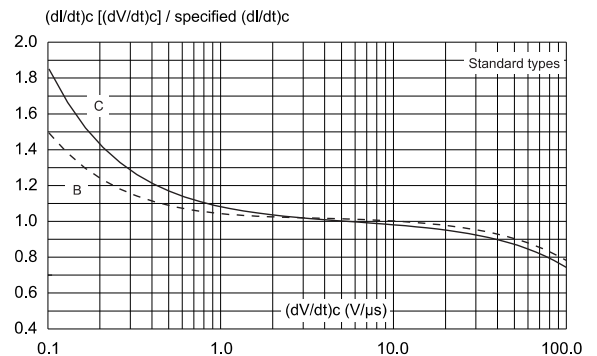


Figure 11: Relative variation of critical rate of decrease of main current versus junction temperature

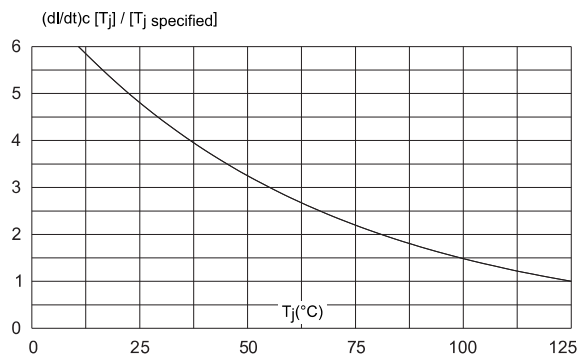
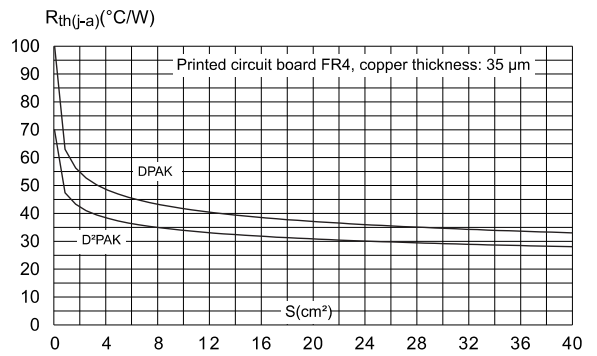


Figure 12: DPAK and D2PAK thermal resistance junction to ambient versus copper surface under tab



2 Package information

In order to meet environmental requirements, ST offers these devices in different grades of ECOPACK® packages, depending on their level of environmental compliance. ECOPACK® specifications, grade definitions and product status are available at: www.st.com. ECOPACK® is an ST trademark.

- Epoxy meets UL94, V0
- Lead-free package
- Recommended torque: 0.4 to 0.6 N·m

2.1 DPAK package information

Figure 13: DPAK package outline

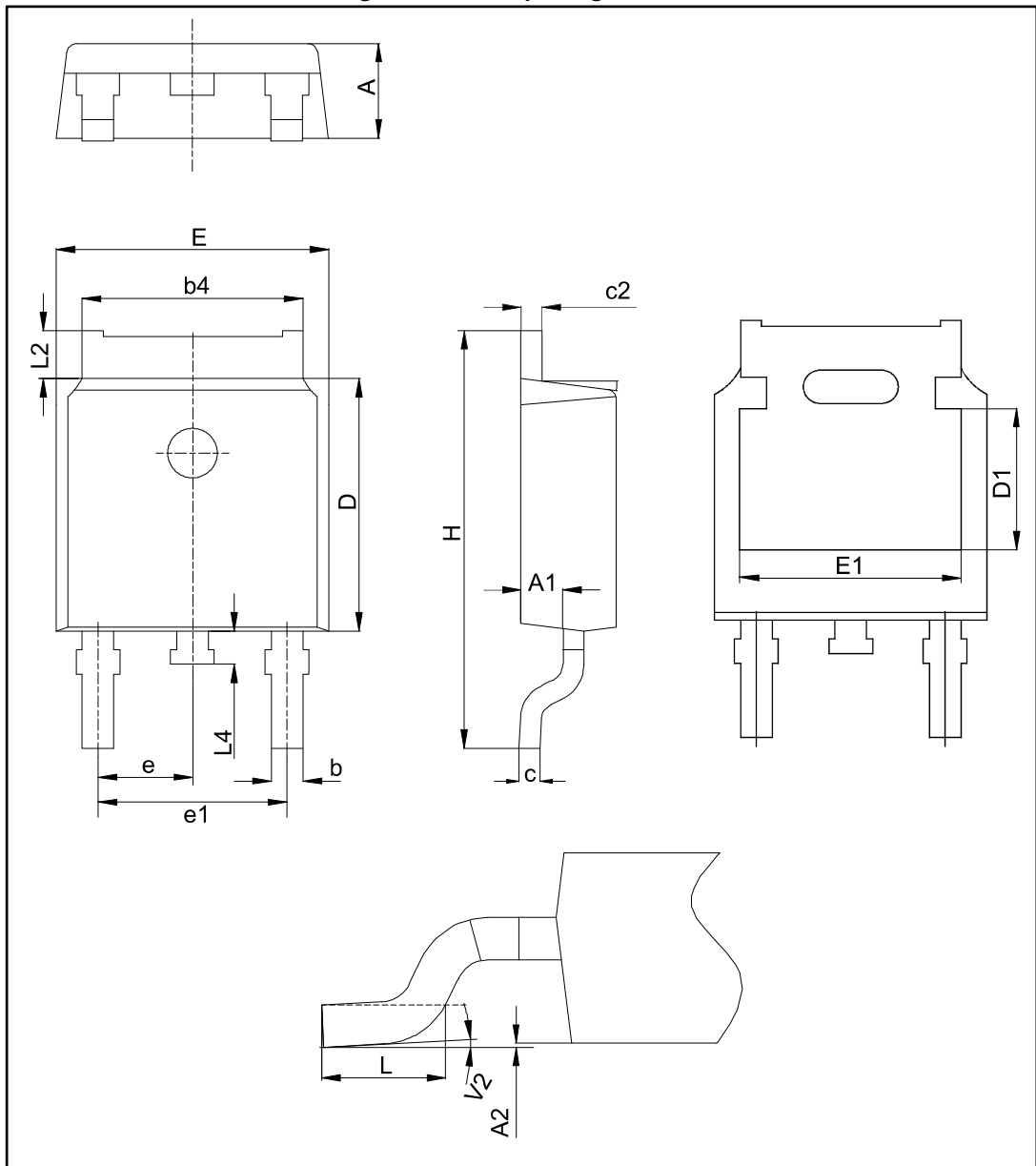


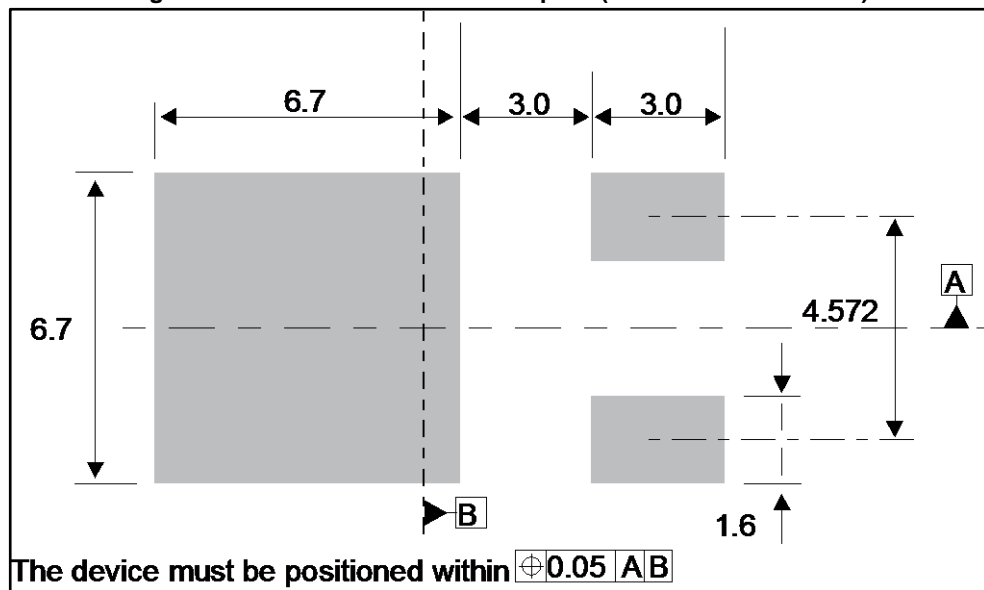
Table 6: DPAK package mechanical data

Ref.	Dimensions					
	Millimeters			Inches ⁽¹⁾		
	Min.	Typ.	Max.	Min.	Typ.	Max.
A	2.18		2.40	0.0858		0.0945
A1	0.90		1.10	0.0354		0.0433
A2	0.03		0.23	0.0012		0.0091
b	0.64		0.90	0.0252		0.354
b4	4.95		5.46	0.1949		0.2150
c	0.46		0.61	0.0181		0.0240
c2	0.46		0.60	0.0181		0.0236
D	5.97		6.22	0.2350		0.2449
D1	4.95		5.60	0.1949		0.2205
E	6.35		6.73	0.2500		0.2650
E1	4.32		5.50	0.1701		0.2165
e		2.29			0.0900	
e1	4.40		4.70	0.1732		0.1850
H	9.35		10.40	0.3681		0.4094
L	1.00		1.78	0.0394		0.0701
L2			1.27			0.0500
L4	0.60		1.02	0.0236		0.0402
V2	-8°		+8°	-8°		+8°

Notes:

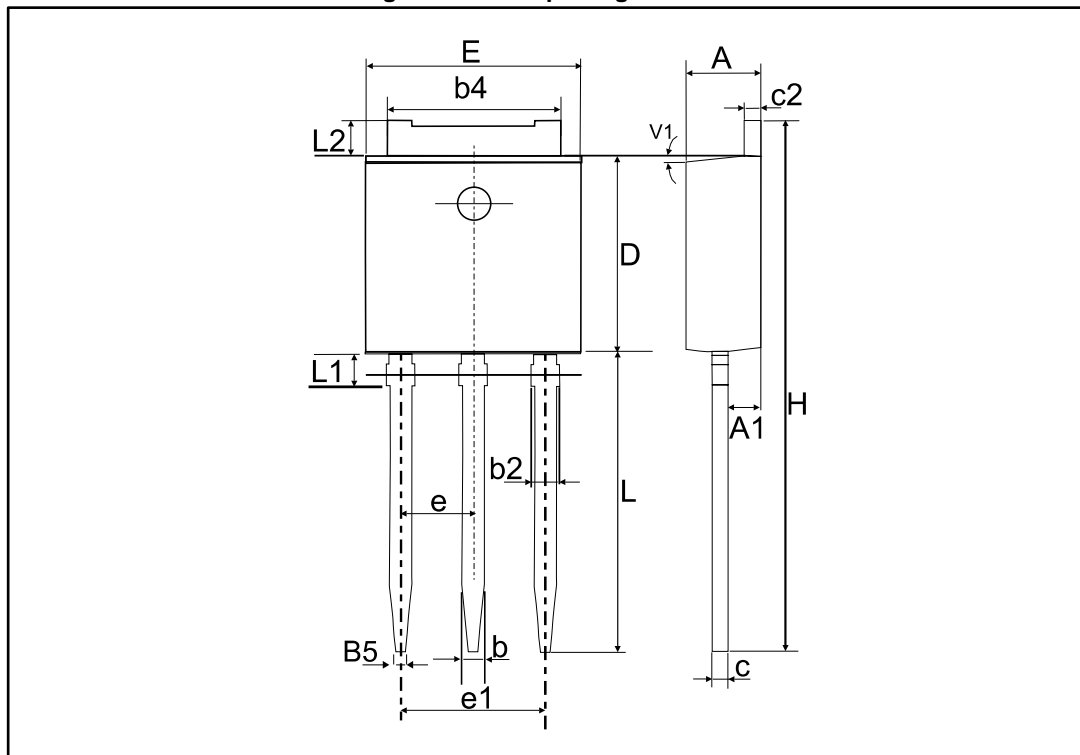
⁽¹⁾Dimensions in inches are given for reference only

Figure 14: DPAK recommended footprint (dimensions are in mm)



2.2 IPAK package information

Figure 15: IPAK package outline



This package drawing may slightly differ from the physical package. However, all the specified dimensions are guaranteed.

Table 7: IPAK package mechanical data

Ref.	Dimensions					
	Millimeters			Inches ⁽¹⁾		
	Min.	Typ.	Max.	Min.	Typ.	Max.
A	2.20		2.40	0.0866		0.0945
A1	0.90		1.10	0.0354		0.0433
b	0.64		0.90	0.0252		0.0354
b2			0.95			0.0374
b4	5.20		5.43	0.2047		0.2138
B5		0.30			0.0118	
c	0.45		0.60	0.0177		0.0236
c2	0.46		0.60	0.0181		0.0236
D	6.00		6.20	0.2362		0.2441
E	6.40		6.65	0.2520		0.2618
e		2.28			0.0898	
e1	4.40		4.60	0.1732		0.1811
H		16.10			0.6339	
L	9.00		9.60	0.3545		0.3780
L1	0.80		1.20	0.0315		0.0472
L2		0.80	1.25		0.0315	0.0492
V1		10°			10°	

Notes:

⁽¹⁾Inch dimensions are for reference only.

2.3 TO-220AB (NIns. and Ins.) package information

Figure 16: TO-220AB (NIns. & Ins.) package outline

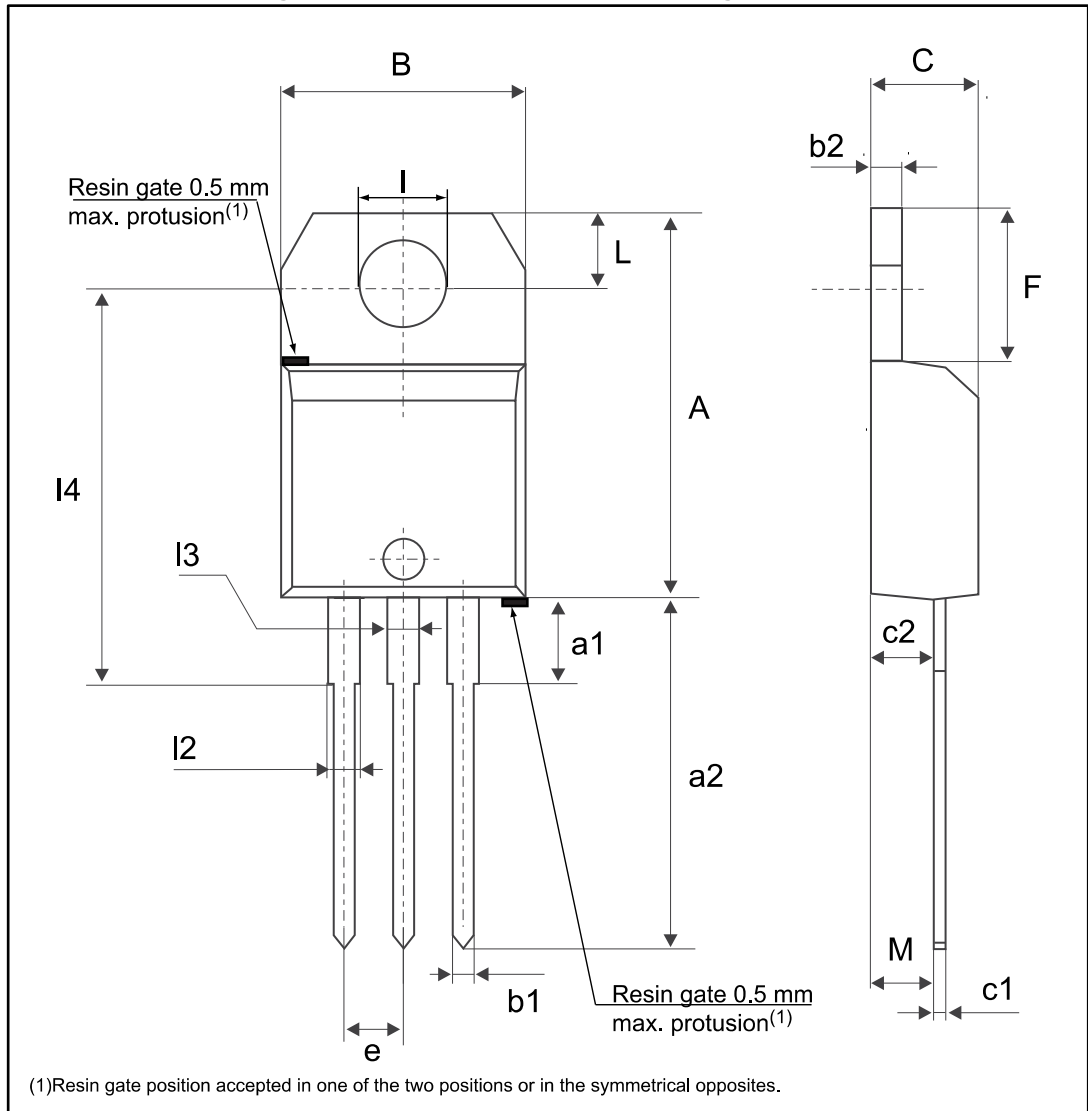


Table 8: TO-220AB (NIns. & Ins.) package mechanical data

Ref.	Dimensions					
	Millimeters			Inches ⁽¹⁾		
	Min.	Typ.	Max.	Min.	Typ.	Max.
A	15.20		15.90	0.5984		0.6260
a1		3.75			0.1476	
a2	13.00		14.00	0.5118		0.5512
B	10.00		10.40	0.3937		0.4094
b1	0.61		0.88	0.0240		0.0346
b2	1.23		1.32	0.0484		0.0520
C	4.40		4.60	0.1732		0.1811
c1	0.49		0.70	0.0193		0.0276
c2	2.40		2.72	0.0945		0.1071
e	2.40		2.70	0.0945		0.1063
F	6.20		6.60	0.2441		0.2598
I	3.73		3.88	0.1469		0.1528
L	2.65		2.95	0.1043		0.1161
I2	1.14		1.70	0.0449		0.0669
I3	1.14		1.70	0.0449		0.0669
I4	15.80	16.40	16.80	0.6220	0.6457	0.6614
M		2.6			0.1024	

Notes:⁽¹⁾Inch dimensions are for reference only.

2.4 D²PAK package information

Figure 17: D²PAK package outline

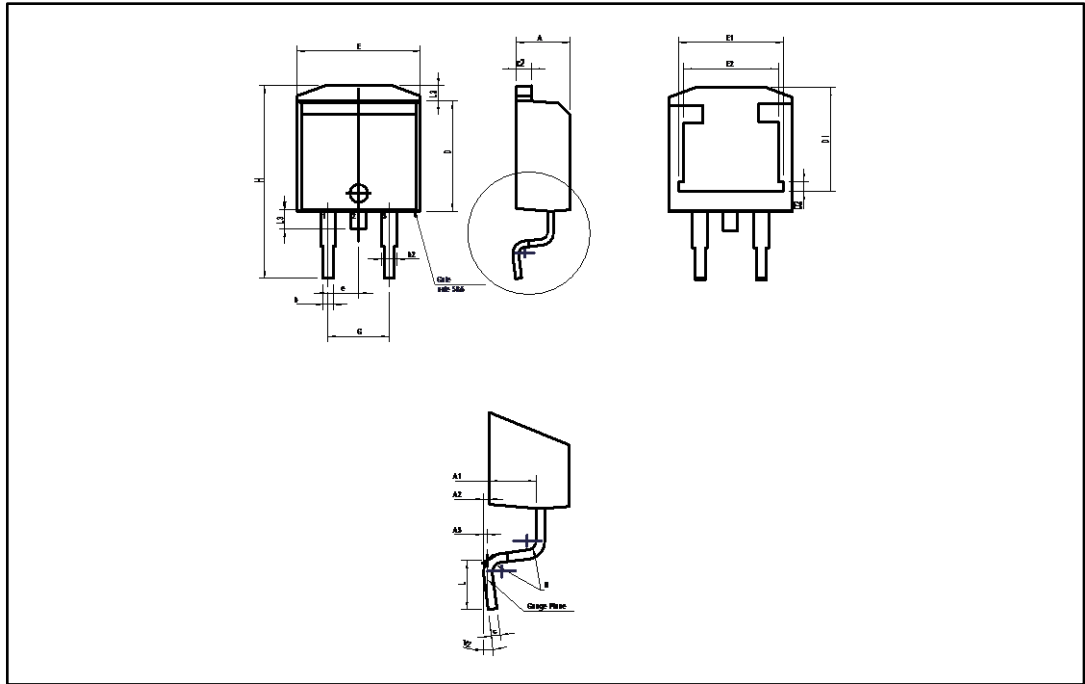


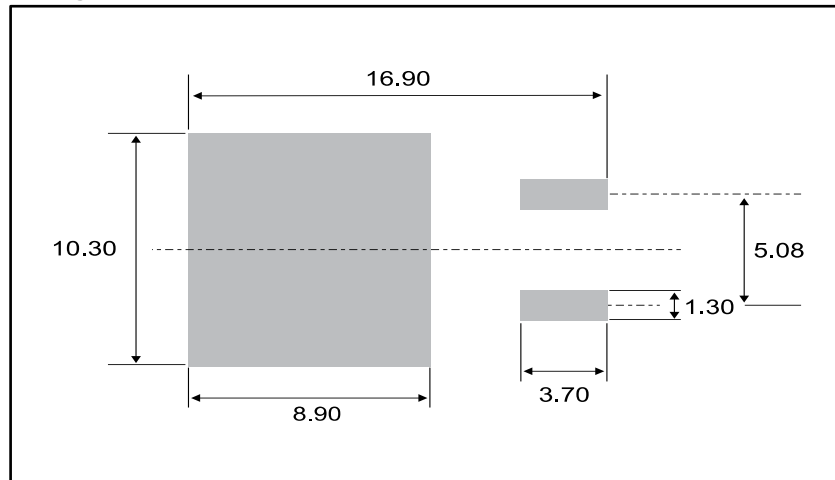
Table 9: D²PAK package mechanical data

Ref.	Dimensions					
	Millimeters			Inches ⁽¹⁾		
	Min.	Typ.	Max.	Min.	Typ.	Max.
A	4.30		4.60	0.1693		0.1811
A1	2.49		2.69	0.0980		0.1059
A2	0.03		0.23	0.0012		0.0091
A3		0.25			0.0098	
B	0.70		0.93	0.0276		0.0366
B2	1.25		1.7	0.0492		0.0669
C	0.45		0.60	0.0177		0.0236
C2	1.21		1.36	0.0476		0.0535
D	8.95		9.35	0.3524		0.3681
D1	7.50		8.00	0.2953		0.3150
D2	1.30		1.70	0.0512		0.0669
e	2.54			0.1		
E	10.00		10.28	0.3937		0.4047
E1	8.30		8.70	0.3268		0.3425
E2	6.85		7.25	0.2697		0.2854
G	4.88		5.28	0.1921		0.2079
H	15		15.85	0.5906		0.6240
L	1.78		2.28	0.0701		0.0898
L2	1.27		1.40	0.0500		0.0551
L3	1.40		1.75	0.0551		0.0689
R		0.40			0.0157	
V2	0°		8°	0°		8°

Notes:

⁽¹⁾Dimensions in inches are given for reference only

Figure 18: D²PAK recommended footprint (dimensions are in mm)



3 Ordering information

Figure 19: Ordering information scheme (BTA08 and BTB08 series)

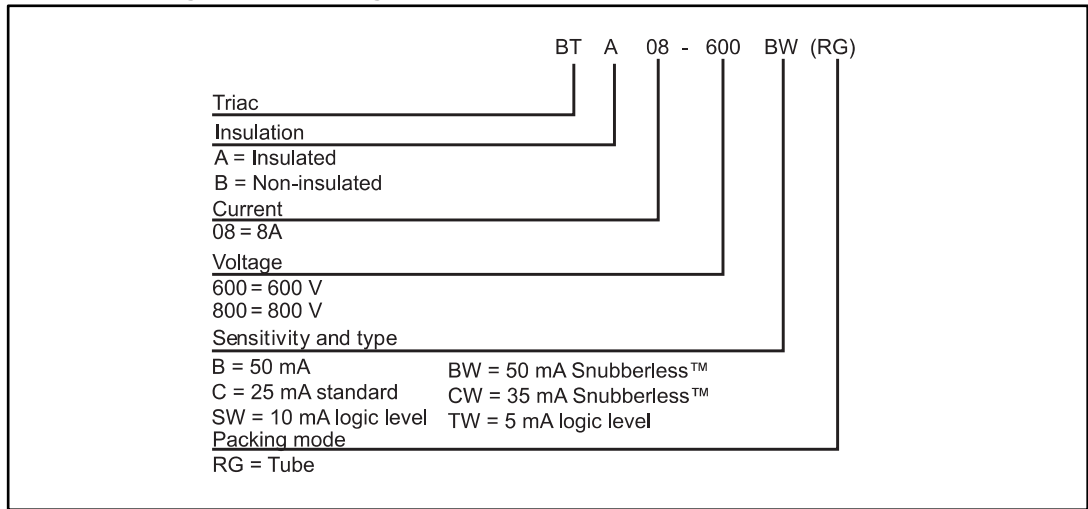


Figure 20: Ordering information scheme (T8 series)

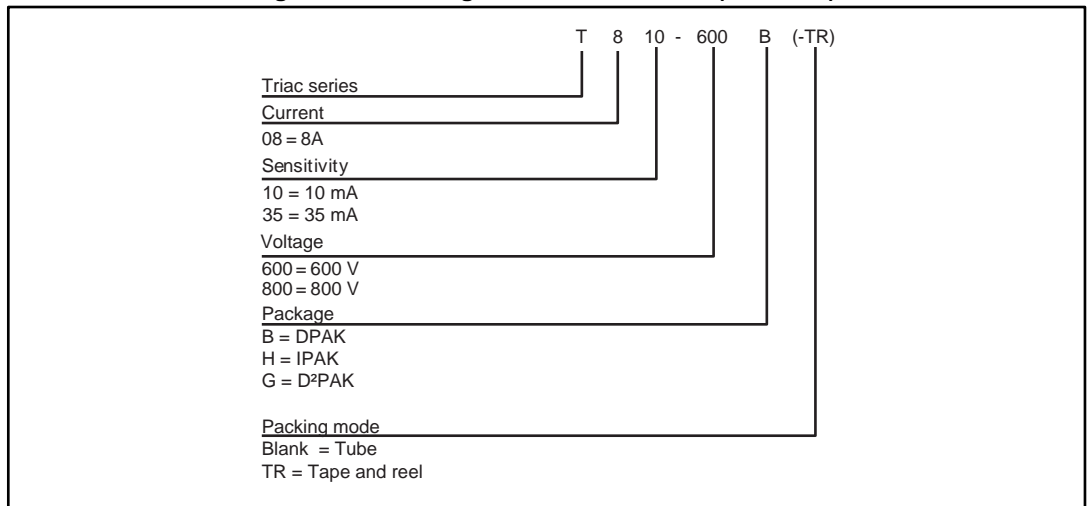


Table 10: Product selector

Part Number	Voltage (xxx)		Sensitivity	Type	Package
	600	800			
T810-xxxB	X	X	10 mA	Logic Level	DPAK
T835-xxxH	X		35 mA	Snubberless™	IPAK
T810-xxxG	X		10 mA	Logic Level	D ² PAK
T835-xxxG	X	X	35 mA	Snubberless™	D ² PAK
T850-6G	X		50 mA	Snubberless™	D ² PAK
BTA08-xxxS	X		10 mA	Logic Level	TO-220AB Ins.
BTA08-xxxC	X	X	35 mA	Standard	TO-220AB Ins.
BTA08-xxxB	X		50 mA	Standard	TO-220AB Ins.
BTA08-xxxTW	X		5 mA	Logic Level	TO-220AB Ins.
BTA08-xxxSW	X		10 mA	Logic Level	TO-220AB Ins.
BTA08-xxxCW	X		35 mA	Snubberless™	TO-220AB Ins.
BTA08-xxxBW	X	X	50 mA	Snubberless™	TO-220AB Ins.
BTB08-xxxS	X		10 mA	Logic Level	TO-220AB
BTB08-xxxC	X		35 mA	Standard	TO-220AB
BTB08-xxxB	X		50 mA	Standard	TO-220AB
BTB08-xxxTW	X	X	5 mA	Logic Level	TO-220AB
BTB08-xxxSW	X		10 mA	Logic Level	TO-220AB
BTB08-xxxCW	X	X	35 mA	Snubberless™	TO-220AB
BTB08-xxxBW	X		50 mA	Snubberless™	TO-220AB

Table 11: Ordering information

Order code	Marking	Package	Weight	Base qty.	Delivery mode		
T810-600B	T8 1060	DPAK	0.30	75	Tube		
T835-600B	T8 3560						
T835-800B	T8 3580						
T810-600B-TR	T8 1060			D2PAK	1.50	2500	Tape&Reel 13"
T810-800B-TR	T8 1080						
T835-600B-TR	T8 3560						
T835-800B-TR	T8 3580						
T835-600H	T8 3560	IPAK	0.40	75	Tube		
T835-600G	T835-600G	D2PAK	1.50	50	Tape&Reel 13"		
T850-6G	T850-6G						
T810-600G-TR	T810-600G						
T835-600G-TR	T835-600G						
T850-6G-TR	T850-6G						
BTA08-600SRG	BTA08-600S	TO-220AB Ins.	2.30	50	Tube		
BTA08-600BRG	BTA08-600B						
BTA08-600CRG	BTA08-600C						
BTA08-800CRG	BTA08-800C						
BTA08-600BWRG	BTA08-600BW						
BTA08-600CWRG	BTA08-600CW						
BTA08-600SWRG	BTA08-600SW						
BTA08-600TWRG	BTA08-600TW						
BTA08-800BWRG	BTA08-800BW						
BTB08-600BRG	BTB08-600B	TO-220AB	2.30	50	Tube		
BTB08-600CRG	BTB08-600C						
BTB08-600SRG	BTB08-600S						
BTB08-600BWRG	BTB08-600BW						
BTB08-600CWRG	BTB08-600CW						
BTB08-600SWRG	BTB08-600SW						
BTB08-600TWRG	BTB08-600TW						
BTB08-800CWRG	BTB08-800CW						
BTB08-800TWRG	BTB08-800TW						

4 Revision history

Table 12: Document revision history

Date	Revision	Changes
Apr-2002	5A	Last update.
13-Feb-2006	6	TO-220AB delivery mode changed from bulk to tube. ECOPACK statement added.
10-Mar-2010	7	Updated ECOPACK statement and Figure 26
02-Jun-2014	8	Updated DPAK and IPAK package information and reformatted to current standard.
07-Nov-2016	9	Updated Table 1 and reformatted to current standard.
06-Jan-2017	10	Updated Figure 20: "Ordering information scheme (T8 series)", Table 10: "Product selector" and Table 11: "Ordering information".
09-Feb-2017	11	Added T850 package information.
24-Apr-2017	12	Updated Figure 6 . Minor text changes to improve readability.

IMPORTANT NOTICE – PLEASE READ CAREFULLY

STMicroelectronics NV and its subsidiaries ("ST") reserve the right to make changes, corrections, enhancements, modifications, and improvements to ST products and/or to this document at any time without notice. Purchasers should obtain the latest relevant information on ST products before placing orders. ST products are sold pursuant to ST's terms and conditions of sale in place at the time of order acknowledgement.

Purchasers are solely responsible for the choice, selection, and use of ST products and ST assumes no liability for application assistance or the design of Purchasers' products.

No license, express or implied, to any intellectual property right is granted by ST herein.

Resale of ST products with provisions different from the information set forth herein shall void any warranty granted by ST for such product.

ST and the ST logo are trademarks of ST. All other product or service names are the property of their respective owners.

Information in this document supersedes and replaces information previously supplied in any prior versions of this document.

© 2017 STMicroelectronics – All rights reserved

Mouser Electronics

Authorized Distributor

Click to View Pricing, Inventory, Delivery & Lifecycle Information:

STMicroelectronics:

[T835-600B](#) [T835-600G](#) [BTA08-700BRG](#) [BTB08-800TWRG](#) [T810-600G-TR](#) [T810-800G-TR](#) [BTB08-600TWRG](#)
[BTB08-600BWRG](#) [BTB08-600CWRG](#) [BTB08-600SWRG](#) [BTA08-600SWRG](#) [BTA08-600CWRG](#) [BTA08-600TWRG](#)
[BTA08-600BWRG](#) [T835-600G-TR](#) [BTB08-700BWRG](#) [BTA08-700CWRG](#) [BTA08-800CRG](#) [BTA08-800BWRG](#) [T835-](#)
[600B-TR](#) [BTA08-400BRG](#) [BTA08-400CRG](#) [BTB08-400CRG](#) [BTA08-600BRG](#) [BTA08-600CRG](#) [BTA08-600SRG](#)
[BTB08-600SRG](#) [BTB08-600CRG](#) [BTB08-600BRG](#) [T835-600H](#) [T810-600B](#) [T810-600B-TR](#) [T835-800B-TR](#) [T810-](#)
[800B-TR](#) [T810-600G](#) [T810-600H](#) [T835-800B](#) [T850-6G-TR](#) [T850-6G](#)