
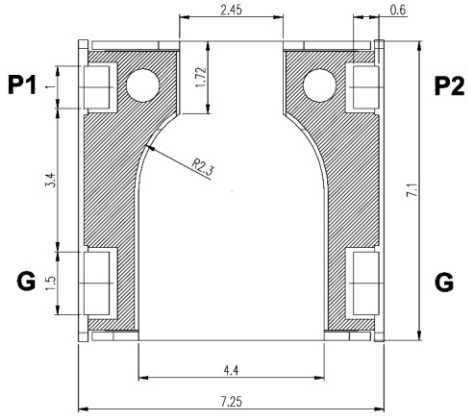


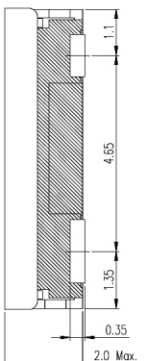
SMD ISOLATOR

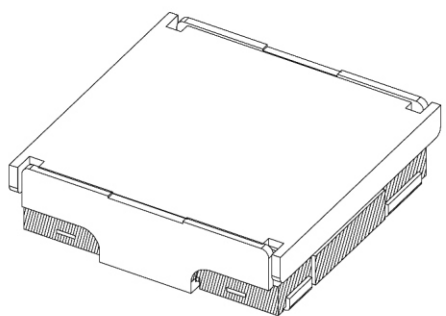
[P/N : IL07BL(R)0947AAE]



P1,P2 : IN/OUT Port
G : Ground
G947 : 947.5MHz[fc]
●P01 :
●P01 L type [signal flow direction P1 → P2]
P01● R type [signal flow direction P2 → P1]
 [or left side dot is L type, right side dot is R type]
P Partron co., Ltd.
0 Year [2010]
1 Month [January]
 (Oct,Nov,Dec denoted as **O,N,D**)







Scale : N/S
Unit : mm
Tolerance : ±0.2

| ELECTRICAL SPECIFICATION | |
|--------------------------|---------------|
| Frequency Range | 935 ~ 960 MHz |
| Operating Temp. | -35 ~ +85 °C |
| Insertion Loss | 0.65 dB max. |
| Isolation | 15 dB min. |
| VSWR | 1.5 max. |
| Forward Power | 10 W max. |
| Reverse Power | 2 W max. |

| PART NUMBERING |
|------------------------------------|
| IL 07 B L(R) 0947 AA E |
| IL : Isolator Group |
| 07 : Size [7*7*2.0t] |
| B : Fabrication condition |
| L(R) : Signal direction |
| 0947 : Center frequency [947.5MHz] |
| AA : Fabrication condition |
| E : Embossed plastic reel |
| * RoHS Compliant(Lead Free) |
| - Ver 2.0 (2012.01.02.) |