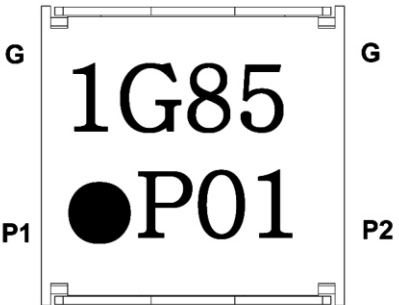
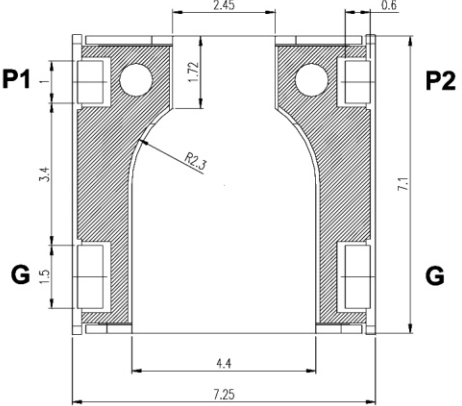


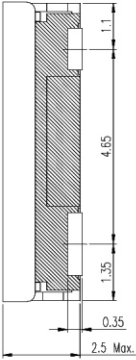
SMD ISOLATOR

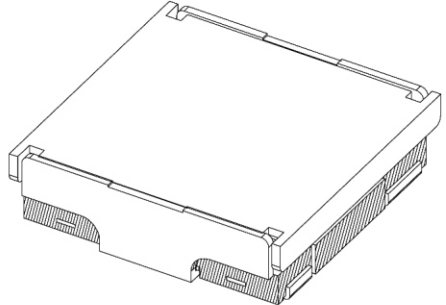
[ P/N : IL07BL(R)1855AAE ]



**P1,P2** : IN/OUT Port  
**G** : Ground  
**1G85** : 1855MHz[fc]  
**●P01** :  
**●P01** L type [signal flow direction P1 → P2]  
**P01●** R type [signal flow direction P2 → P1]  
 [or left side dot is L type,  
 right side dot is R type]  
**P** Partron co., Ltd.  
**0** Year [2010]  
**1** Month [January]  
 (Oct,Nov,Dec denoted as **O,N,D** )







Scale : N/S  
 Unit : mm  
 Tolerance : ±0.2

ELECTRICAL SPECIFICATION	
Frequency Range	1840 ~ 1870 MHz
Operating Temp.	-35 ~ +85 °C
Insertion Loss	0.6 dB max.
Isolation	15 dB min.
VSWR	1.5 max.
Forward Power	10 W max.
Reverse Power	2 W max.

PART NUMBERING	
<b>IL 07 B L(R) 1855 AA E</b>	
IL	: Isolator Group
07	: Size [7*7*2.5t]
B	: Fabrication condition
L(R)	: Signal direction
1855	: Center frequency [1855MHz]
AA	: Fabrication condition
E	: Embossed plastic reel
* RoHS Compliant(Lead Free)	
- Ver 2.0 (2012.01.02.)	