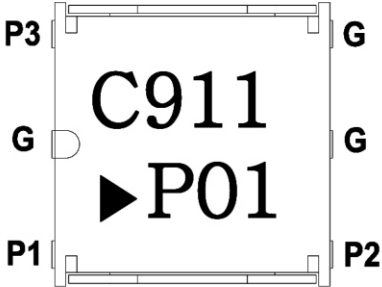


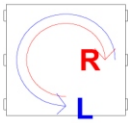
SMD CIRCULATOR

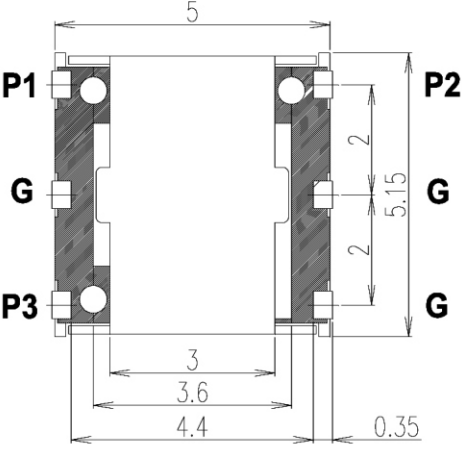
[ P/N : CL05BL(R)0911AAE ]

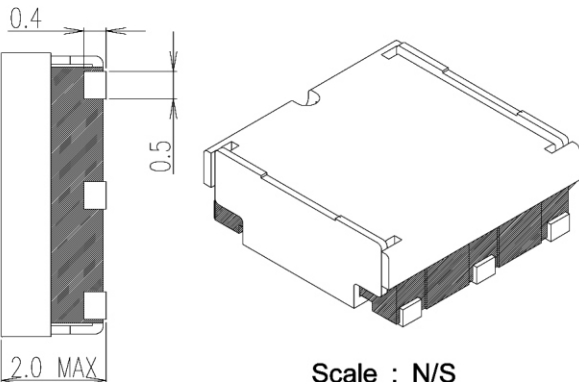


**P1,P2** : IN/OUT Port  
**P3** : 50 Ohm Load  
**G** : Ground  
**C911** : 911.25MHz[fc]  
**▶P01** :  
**▶P01** L type [signal flow direction P1 → P2]  
**P01◀** R type [signal flow direction P2 → P1]

**P** Partron co., Ltd. (B-type)  
**0** Year [2010]  
**1** Month [January]  
 (Oct,Nov,Dec denoted as **O,N,D**)







Scale : N/S  
 Unit : mm  
 Tolerance : ±0.2

※ The circulator is measured with P3 terminated 50 ohm load.

ELECTRICAL SPECIFICATION	
Frequency Range	908.5 ~ 914 MHz
Operating Temp.	-35 ~ +85 ℃
Insertion Loss (P1-P2)	0.85 dB max.
Isolation (P1-P2)	20 dB min.
Return Loss (P1,P2)	14 dB min.
Power	10 W max.

PART NUMBERING	
<b>CL 05 B L(R) 0911 AA E</b>	
CL	: Circulator Group
05	: Size [5*5*2.0t]
B	: Fabrication condition
L(R)	: Signal direction
0911	: Center frequency [911.25MHz]
AA	: Fabrication condition
E	: Embossed plastic reel
* RoHS Compliant(Lead Free)	
- Ver 1.3 (2011.02.01.)	