

# AS5045B

## 12-Bit Programmable Magnetic Position Sensor

### 1 General Description

The AS5045B is a contact less magnetic position sensor for accurate angular measurement over a full turn of 360 degrees.

It is a system-on-chip, combining integrated Hall elements, analog front end and digital signal processing in a single device.

To measure the angle, only a simple two-pole magnet, rotating over the center of the chip, is required. The magnet can be placed above or below the IC.

The absolute angle measurement provides instant indication of the magnet's angular position with a resolution of  $0.0879^\circ = 4096$  positions per revolution. This digital data is available as a serial bit stream and as a PWM signal.

An internal voltage regulator allows the AS5045B to operate at either 3.3V or 5V supplies.

- Two digital 12-bit absolute outputs:
  - Serial interface
  - Pulse width modulated (PWM) output
- Quadrature A/B/I output 12-bit
- User programmable zero position
- Failure detection mode for magnet placement, monitoring, and loss of power supply
- Red-Yellow-Green indicators display placement of magnet in Z-axis
- Serial read-out of multiple interconnected AS5045B devices using Daisy Chain mode
- Tolerant to magnet misalignment and gap variations
- Wide temperature range: - 40°C to +125°C
- Small Pb-free package: SSOP 16 (5.3mm x 6.2mm)

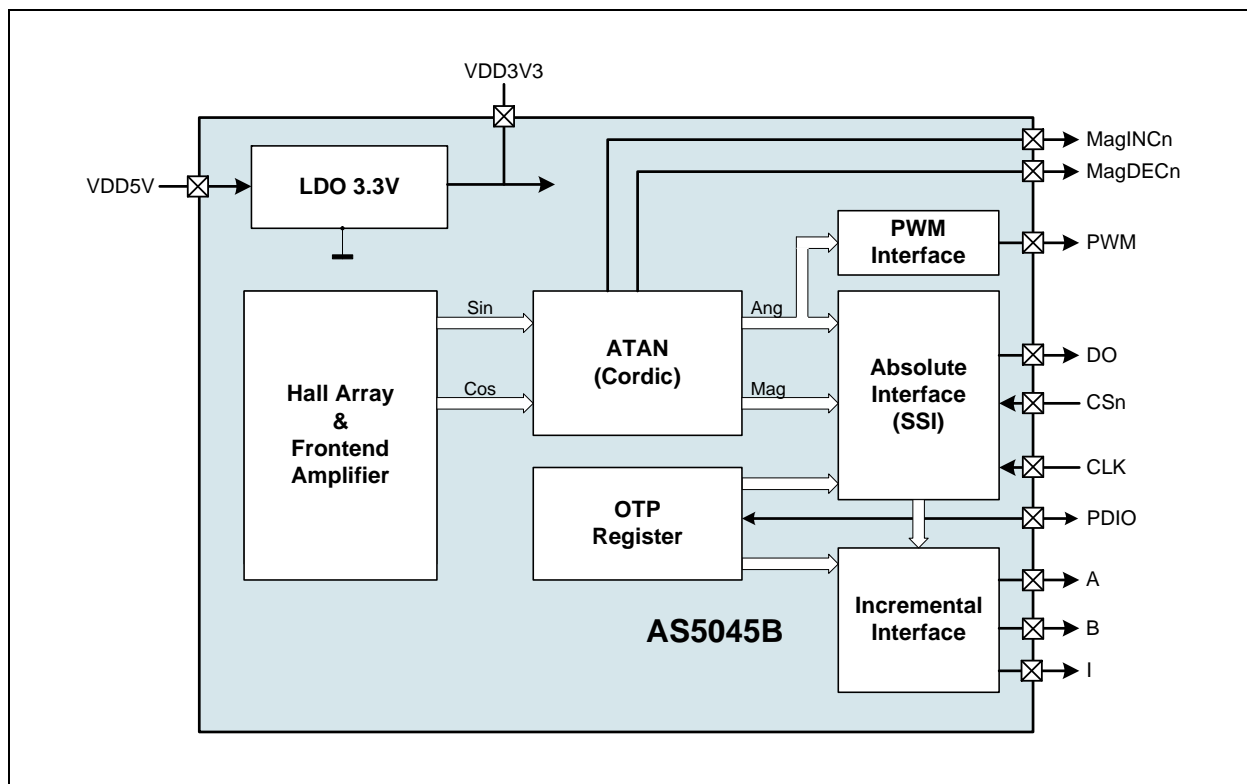
### 2 Key Features

- Contact less high resolution rotary position sensor over a full turn of 360 degrees

### 3 Applications

The device is ideal for industrial applications like automatic or elevator doors, robotics, motor control and optical encoder replacement.

Figure 1. Blockdiagram Rotary Position Sensor IC





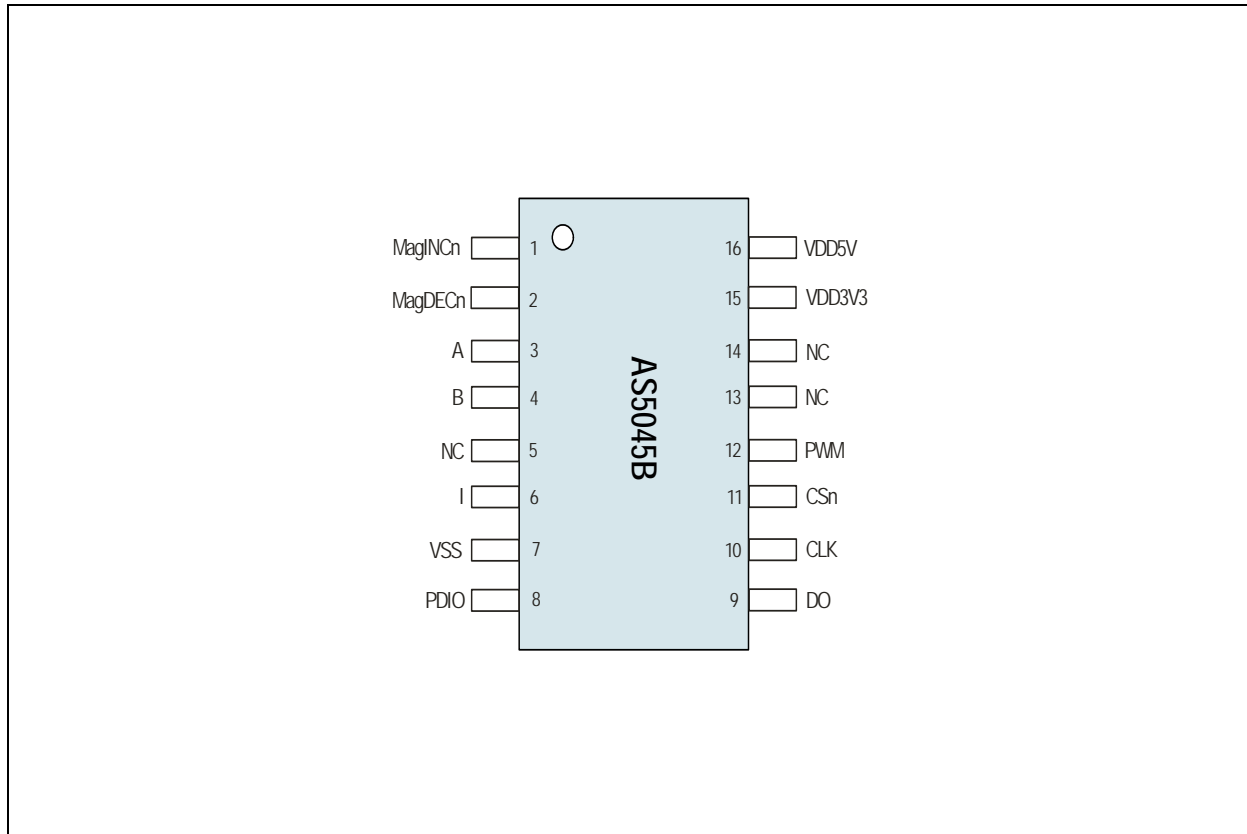
## Contents

|       |   |    |
|-------|---|----|
| 1     | General Description .....                   | 1  |
| 2     | Key Features.....                           | 1  |
| 3     | Applications.....                           | 1  |
| 4     | Pin Assignments .....                       | 3  |
| 4.1   | Pin Descriptions.....                       | 3  |
| 5     | Absolute Maximum Ratings .....              | 5  |
| 6     | Electrical Characteristics.....             | 6  |
| 6.1   | Magnetic Input Specification.....           | 7  |
| 6.2   | System Specifications .....                 | 8  |
| 7     | Timing Characteristics .....                | 10 |
| 8     | Detailed Description.....                   | 11 |
| 8.1   | Synchronous Serial Interface (SSI) .....    | 11 |
| 8.2   | Incremental Mode.....                       | 13 |
| 8.3   | Daisy Chain Mode .....                      | 14 |
| 8.4   | Pulse Width Modulation (PWM) Output.....    | 15 |
| 8.4.1 | Changing the PWM Frequency.....             | 16 |
| 8.5   | Analog Output.....                          | 16 |
| 9     | Application Information .....               | 17 |
| 9.1   | Programming the AS5045B.....                | 17 |
| 9.1.1 | Zero Position Programming .....             | 17 |
| 9.1.2 | OTP Memory Assignment.....                  | 18 |
| 9.1.3 | User Selectable Settings .....              | 18 |
| 9.1.4 | OTP Default Setting.....                    | 19 |
| 9.1.5 | Redundancy.....                             | 19 |
| 9.1.6 | Redundant Programming Option .....          | 20 |
| 9.1.7 | OTP Register Entry and Exit Condition ..... | 20 |
| 9.2   | Alignment Mode.....                         | 21 |
| 9.3   | 3.3V / 5V Operation .....                   | 22 |
| 9.4   | Selecting Proper Magnet .....               | 22 |
| 9.4.1 | Physical Placement of the Magnet .....      | 23 |
| 9.4.2 | Magnet Placement.....                       | 24 |
| 9.5   | Failure Diagnostics.....                    | 24 |
| 9.5.1 | Magnetic Field Strength Diagnosis .....     | 24 |
| 9.5.2 | Power Supply Failure Detection .....        | 24 |
| 9.6   | Angular Output Tolerances.....              | 24 |
| 9.6.1 | Accuracy.....                               | 24 |
| 9.6.2 | Transition Noise.....                       | 26 |
| 9.6.3 | High Speed Operation .....                  | 26 |
| 9.6.4 | Propagation Delays .....                    | 26 |
| 9.6.5 | Internal Timing Tolerance .....             | 27 |
| 9.6.6 | Temperature .....                           | 27 |
| 9.6.7 | Accuracy over Temperature .....             | 27 |
| 10    | Package Drawings and Markings .....         | 28 |
| 10.1  | Recommended PCB Footprint.....              | 30 |
| 11    | Ordering Information .....                  | 32 |



## 4 Pin Assignments

Figure 2. Pin Assignments (Top View)



### 4.1 Pin Descriptions

The following SSOP16 shows the description of each pin of the standard SSOP16 package (Shrink Small Outline Package, 16 leads, body size: 5.3mm x 6.2mm); (see Figure 2).

Table 1. Pin Descriptions

| Pin Name | Pin Number | Pin Type                             | Description  |
|----------|------------|--------------------------------------|--|
| MagINCn  | 1          | Digital output open drain            | <b>Magnet Field Magnitude Increase.</b> Active low. Indicates a distance reduction between the magnet and the device surface. (see Table 8)                              |
| MagDECn  | 2          |                                      | <b>Magnet Field Magnitude Decrease.</b> Active low. Indicates a distance increase between the device and the magnet. (see Table 8)                                       |
| A        | 3          | Digital output                       | Quadrature output A (1024 Pulses)  |
| B        | 4          |                                      | Quadrature output B (1024 Pulses)  |
| NC       | 5          | -                                    | Must be left unconnected   |
| I        | 6          | Digital output                       | Index signal for the quadrature output.  |
| Vss      | 7          | Supply pin                           | Negative Supply Voltage (GND)  |
| PDIO     | 8          | Digital input pull-down              | <b>OTP Programming Input and Data Input for Daisy Chain mode.</b> Pin has an internal pull-down resistor (74kΩ). Connect this pin to VSS if programming is not required. |
| DO       | 9          | Digital output/ tri-state            | <b>Data Output</b> of Synchronous Serial Interface   |
| CLK      | 10         | Digital input, Schmitt-Trigger input | <b>Clock Input</b> of Synchronous Serial Interface; Schmitt-Trigger input  |



Table 1. Pin Descriptions

| Pin Name | Pin Number | Pin Type                                       | Description   |
|----------|------------|--|---|
| CSn      | 11         | Digital input pull-down, Schmitt-Trigger input | <b>Chip Select.</b> Active low. Schmitt-Trigger input, internal pull-up resistor (50kΩ)                               |
| PWM      | 12         | Digital output                                 | <b>Pulse Width Modulation</b>   |
| NC       | 13         | -  | Must be left unconnected  |
| NC       | 14         | -  | Must be left unconnected  |
| VDD3V3   | 15         | Supply pin                                     | 3V-Regulator Output, internally regulated from VDD5V. Connect to VDD5V for 3V supply voltage. Do not load externally. |
| VDD5V    | 16         | Supply pin                                     | Positive Supply Voltage, 3.0V to 5.5V   |

Pin 1 and 2 are the magnetic field change indicators, MagINCn and MagDECn (magnetic field strength increase or decrease through variation of the distance between the magnet and the device). These outputs can be used to detect the valid magnetic field range. Furthermore those indicators can also be used for contact-less push-button functionality.

Pin 3 and 4 are used for incremental angle information in 12-bit quadrature signal format.

Pin 6 Index output used for incremental angle information. (Zero position reference).

Pins 7, 15, and 16 are supply pins, pins 5, 13, and 14 are for internal use and must not be connected.

Pin 8 (PDIO) is used to program the zero-position into the OTP(see page 17). This pin is also used as digital input to shift serial data through the device in Daisy Chain configuration. (see page 13).

Pin 11 Chip Select (CSn; active low) selects a device within a network of AS5045Bs and initiates serial data transfer. A logic high at CSn puts the data output pin (DO) to tri-state and terminates serial data transfer. This pin is also used for alignment mode (see Alignment Mode on page 21) and programming mode (see Programming the AS5045B on page 17).

Pin 12 allows a single wire output of the 12-bit absolute position value. The value is encoded into a pulse width modulated signal with 1μs pulse width per step (1μs to 4096μs over a full turn). By using an external low pass filter, the digital PWM signal is converted into an analog voltage, e.g. for making a direct replacement of potentiometers possible.



## 5 Absolute Maximum Ratings

Stresses beyond those listed in [Table 2](#) may cause permanent damage to the device. These are stress ratings only, and functional operation of the device at these or any other conditions beyond those indicated in [Section 6 Electrical Characteristics](#) on page 6 is not implied. Exposure to absolute maximum rating conditions for extended periods may affect device reliability.

Table 2. Absolute Maximum Ratings

| Parameter  | Min  | Max        | Units | Comments   |
|--|------|------------|-------|--|
| <b>Electrical Parameters</b>                     |      |            |       |  |
| DC supply voltage at pin VDD5V                   | -0.3 | 7          | V     |  |
| DC supply voltage at pin VDD3V3                  |      | 5          | V     |  |
| Input pin voltage                                | -0.3 | VDD5V +0.3 | V     | Except VDD3V3  |
| Input current (latchup immunity)                 | -100 | 100        | mA    | Norm: EIA/JESD78 Class II Level A  |
| <b>Electrostatic Discharge</b>                   |      |            |       |  |
| Electrostatic discharge                          |      | ± 2        | kV    | Norm: JESD22-A114E   |
| <b>Temperature Ranges and Storage Conditions</b> |      |            |       |  |
| Storage temperature                              | -55  | 150        | °C    | Min -67°F; Max +302°F  |
| Package Body temperature                         |      | 260        | °C    | The reflow peak soldering temperature (body temperature) specified is in accordance with <i>IPC/JEDEC J-STD-020 "Moisture/Reflow Sensitivity Classification for Non-Hermetic Solid State Surface Mount Devices"</i> .<br>The lead finish for Pb-free leaded packages is matte tin (100% Sn). |
| Humidity non-condensing                          | 5    | 85         | %     |  |
| Moisture Sensitive Level (MSL)                   |      | 3          |       | Represents a maximum floor time of 168h  |



## 6 Electrical Characteristics

$T_{AMB} = -40$  to  $+125^{\circ}\text{C}$ ,  $V_{DD5V} = 3.0\text{-}3.6\text{V}$  (3V operation)  $V_{DD5V} = 4.5\text{-}5.5\text{V}$  (5V operation) unless otherwise noted. Also valid for version I.

Table 3. Electrical Characteristics

| Symbol   | Parameter   | Condition  | Min              | Typ | Max              | Unit               |
|--|---|--|------------------|-----|------------------|--------------------|
| <b>Operating Conditions</b>  |   |  |                  |     |                  |                    |
| $T_{AMB}$  | Ambient temperature   | Version I  | -40              |     | +125             | $^{\circ}\text{C}$ |
| $I_{supp}$   | Supply current  |  |                  | 16  | 21               | mA                 |
| $V_{DD5V}$   | Supply voltage at pin $V_{DD5V}$                                | 5V Operation   | 4.5              | 5.0 | 5.5              | V                  |
| $V_{DD3V3}$  | Voltage regulator output voltage at pin $V_{DD3V3}$             |  | 3.0              | 3.3 | 3.6              |                    |
| $V_{DD5V}$   | Supply voltage at pin $V_{DD5V}$                                | 3.3V Operation<br>(pin $V_{DD5V}$ and $V_{DD3V3}$ connected) | 3.0              | 3.3 | 3.6              | V                  |
| $V_{DD3V3}$  | Supply voltage at pin $V_{DD3V3}$                               |  | 3.0              | 3.3 | 3.6              |                    |
| $V_{ON}$   | Power-on reset thresholds<br>On voltage; 300mV typ. hysteresis  | DC supply voltage 3.3V ( $V_{DD3V3}$ )                       | 1.37             | 2.2 | 2.9              | V                  |
| $V_{off}$  | Power-on reset thresholds<br>Off voltage; 300mV typ. hysteresis |  | 1.08             | 1.9 | 2.6              |                    |
| <b>Programming Conditions</b>  |   |  |                  |     |                  |                    |
| $V_{PROG}$   | Programming voltage   | Voltage applied during programming                           | 3.3              |     | 3.6              | V                  |
| $V_{ProgOff}$  | Programming voltage off level                                   | Line must be discharged to this level                        | 0                |     | 1                | V                  |
| $I_{PROG}$   | Programming current   | Current during programming                                   |                  |     | 100              | mA                 |
| $R_{programmed}$   | Programmed fuse resistance (log 1)                              | 10 $\mu\text{A}$ max. current @ 100mV                        | 100k             |     | $\infty$         | $\Omega$           |
| $R_{unprogrammed}$   | Unprogrammed fuse resistance (log 0)                            | 2mA max. current @ 100mV                                     | 50               |     | 100              | $\Omega$           |
| <b>DC Characteristics CMOS Schmitt-Trigger Inputs: CLK, CSn (CSn = Internal Pull-up)</b> |   |  |                  |     |                  |                    |
| $V_{IH}$   | High level input voltage  | Normal operation   | 0.7 * $V_{DD5V}$ |     |                  | V                  |
| $V_{IL}$   | Low level input voltage   |  |                  |     | 0.3 * $V_{DD5V}$ | V                  |
| $V_{IOn}$ , $V_{Ioff}$   | Schmitt Trigger hysteresis                                      |  | 1                |     |                  | V                  |
| $I_{LEAK}$   | Input leakage current   | CLK only   | -1               |     | 1                | $\mu\text{A}$      |
| $I_{iL}$   | Pull-up low level input current                                 | CSn only, $V_{DD5V}$ : 5.0V                                  | -30              |     | -100             |                    |
| <b>DC Characteristics CMOS / Program Input: PDIO</b>                                     |   |  |                  |     |                  |                    |
| $V_{IH}$   | High level input voltage  |  | 0.7 * $V_{DD5V}$ |     | $V_{DD5V}$       | V                  |
| $V_{PROG}^1$   | High level input voltage  | During programming   | 3.3              |     | 3.6              | V                  |
| $V_{IL}$   | Low level input voltage   |  |                  |     | 0.3 * $V_{DD5V}$ | V                  |
| $I_{iL}$   | High level input current  | $V_{DD5V}$ : 5.5V  | 30               |     | 100              | $\mu\text{A}$      |
| <b>DC Characteristics CMOS Output Open Drain: MagINCn, MagDECn</b>                       |   |  |                  |     |                  |                    |
| $I_{OZ}$   | Open drain leakage current                                      |  |                  |     | 1                | $\mu\text{A}$      |
| $V_{OL}$   | Low level output voltage  |  |                  |     | $V_{SS} + 0.4$   | V                  |



Table 3. Electrical Characteristics

| Symbol  | Parameter                 | Condition                | Min                     | Typ | Max                   | Unit |
|---|---------------------------|--------------------------|-------------------------|-----|-----------------------|------|
| I <sub>O</sub>                                      | Output current            | V <sub>DD5V</sub> : 4.5V |                         |     | 4                     | mA   |
|   |                           | V <sub>DD5V</sub> : 3V   |                         |     | 2                     |      |
| <b>DC Characteristics CMOS Output: PWM</b>          |                           |                          |                         |     |                       |      |
| V <sub>OH</sub>                                     | High level output voltage |                          | V <sub>DD5V</sub> - 0.5 |     |                       | V    |
| V <sub>OL</sub>                                     | Low level output voltage  |                          |                         |     | V <sub>SS</sub> + 0.4 | V    |
| I <sub>O</sub>                                      | Output current            | V <sub>DD5V</sub> : 4.5V |                         |     | 4                     | mA   |
|   |                           | V <sub>DD5V</sub> : 3V   |                         |     | 2                     |      |
| <b>DC Characteristics CMOS Output: A, B, Index</b>  |                           |                          |                         |     |                       |      |
| V <sub>OH</sub>                                     | High level output voltage |                          | V <sub>DD5V</sub> - 0.5 |     |                       | V    |
| V <sub>OL</sub>                                     | Low level output voltage  |                          |                         |     | V <sub>SS</sub> + 0.4 | V    |
| I <sub>O</sub>                                      | Output current            | V <sub>DD5V</sub> : 4.5V |                         |     | 4                     | mA   |
|   |                           | V <sub>DD5V</sub> : 3V   |                         |     | 2                     |      |
| <b>DC Characteristics Tri-state CMOS Output: DO</b> |                           |                          |                         |     |                       |      |
| V <sub>OH</sub>                                     | High level output voltage |                          | V <sub>DD5V</sub> - 0.5 |     |                       | V    |
| V <sub>OL</sub>                                     | Low level output voltage  |                          |                         |     | V <sub>SS</sub> + 0.4 | V    |
| I <sub>O</sub>                                      | Output current            | V <sub>DD5V</sub> : 4.5V |                         |     | 4                     | mA   |
|   |                           | V <sub>DD5V</sub> : 3V   |                         |     | 2                     |      |
| I <sub>OZ</sub>                                     | Tri-state leakage current |                          |                         |     | 1                     | μA   |

1. Either with 3.3V or 5V supply.

## 6.1 Magnetic Input Specification

T<sub>AMB</sub> = -40 to +125°C, V<sub>DD5V</sub> = 3.0 to 3.6V (3V operation) V<sub>DD5V</sub> = 4.5 to 5.5V (5V operation) unless otherwise noted. Also valid for version I.

Two-pole cylindrical diametrically magnetized source:

Table 4. Magnetic Input Specification

| Symbol               | Parameter                                    | Condition  | Min | Typ | Max  | Unit |
|----------------------|--|--|-----|-----|------|------|
| d <sub>mag</sub>     | Diameter                                     | Recommended magnet: Ø 6mm x 2.5mm for cylindrical magnets  | 4   | 6   |      | mm   |
| t <sub>mag</sub>     | Thickness                                    |  | 2.5 |     |      | mm   |
| B <sub>pk</sub>      | Magnetic input field amplitude               | Required vertical component of the magnetic field strength on the die's surface, measured along a concentric circle with a radius of 1.1mm | 45  |     | 75   | mT   |
| B <sub>off</sub>     | Magnetic offset                              | Constant magnetic stray field  |     |     | ± 10 | mT   |
| f <sub>mag_abs</sub> | Input frequency (rotational speed of magnet) | 153 rpm @ 4096 positions/rev   |     |     | 2.54 | Hz   |
| Disp                 | Displacement radius                          | Max. offset between defined device center and magnet axis (see Figure 17)  |     |     | 0.25 | mm   |



Table 4. Magnetic Input Specification

| Symbol | Parameter   | Condition  | Min | Typ    | Max | Unit          |
|--------|---|--|-----|--------|-----|---------------|
| Ecc    | Eccentricity                                      | Eccentricity of magnet center to rotational axis |     |        | 100 | $\mu\text{m}$ |
|        | Recommended magnet material and temperature drift | NdFeB (Neodymium Iron Boron)                     |     | -0.12  |     | %K            |
|        |   | SmCo (Samarium Cobalt)                           |     | -0.035 |     |               |

## 6.2 System Specifications

$T_{AMB} = -40$  to  $+125^{\circ}\text{C}$ ,  $V_{DD5V} = 3.0$  to  $3.6\text{V}$  (3V operation)  $V_{DD5V} = 4.5$  to  $5.5\text{V}$  (5V operation) unless otherwise noted. Also valid for version I.

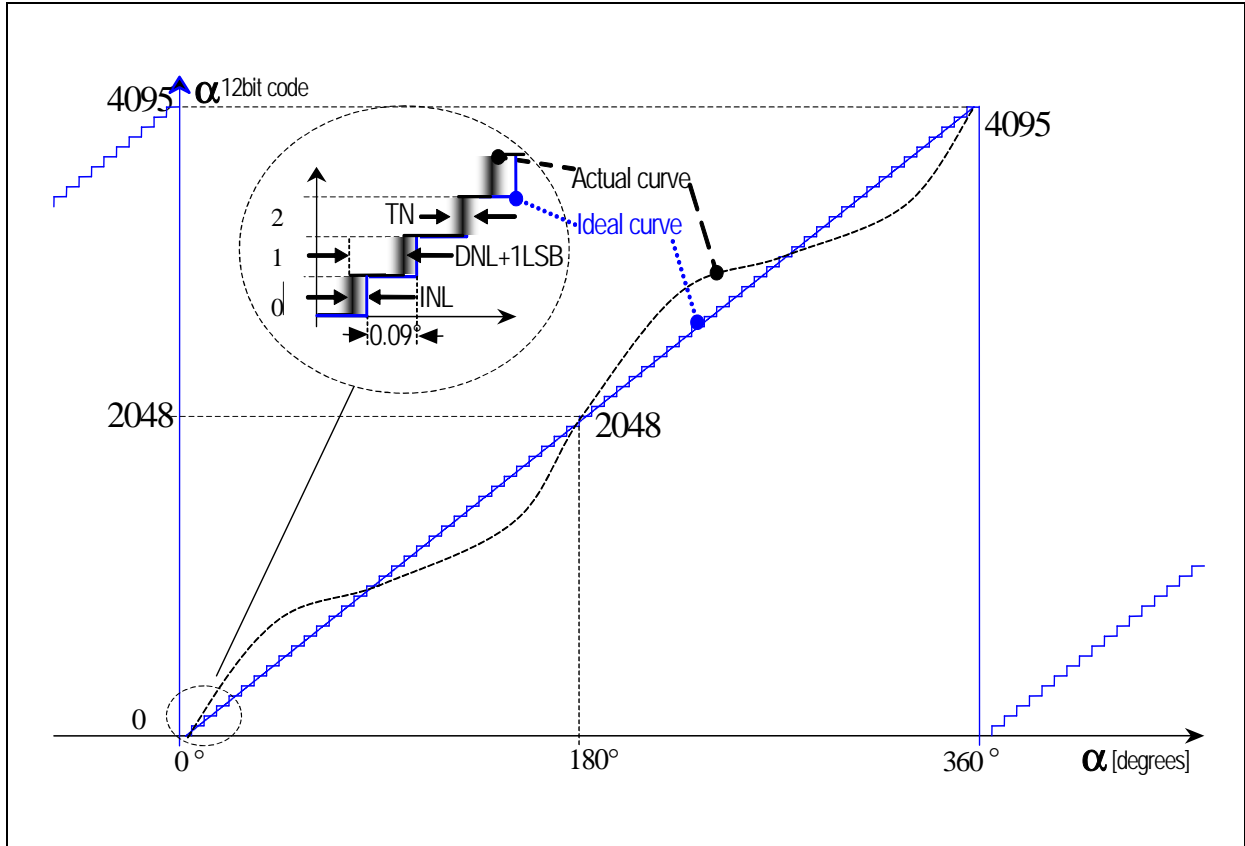
Table 5. Input Specification

| Symbol         | Parameter   | Condition   | Min  | Typ   | Max         | Unit          |
|----------------|---|---|------|-------|-------------|---------------|
| RES            | Resolution  | 0.088 deg   |      |       | 12          | bit           |
| $INL_{opt}$    | Integral non-linearity (optimum)  | Maximum error with respect to the best line fit. Centered magnet without calibration, $T_{AMB} = 25^{\circ}\text{C}$ .  |      |       | $\pm 0.5$   | deg           |
| $INL_{temp}$   | Integral non-linearity (optimum)  | Maximum error with respect to the best line fit. Centered magnet without calibration, $T_{AMB} = -40$ to $+125^{\circ}\text{C}$                                       |      |       | $\pm 0.9$   | deg           |
| INL            | Integral non-linearity  | Best line fit = $(Err_{max} - Err_{min}) / 2$<br>Over displacement tolerance with 6mm diameter magnet, without calibration, $T_{AMB} = -40$ to $+125^{\circ}\text{C}$ |      |       | $\pm 1.4$   | deg           |
| DNL            | Differential non-linearity  | 12-bit, no missing codes  |      |       | $\pm 0.044$ | deg           |
| TN             | Transition noise  | 1 sigma   |      |       | 0.06        | Deg RMS       |
| $t_{PwrUp}$    | Power-up time   | Until status bit OCF = 1  |      |       | 20          | ms            |
| $t_{delay}$    | System propagation delay absolute output : delay of ADC, DSP and absolute interface |   |      |       | 96          | $\mu\text{s}$ |
| $t_{delayINC}$ | System propagation delay incremental output   |   |      |       | 192         | $\mu\text{s}$ |
| $f_S$          | Internal sampling rate for absolute output  |   | 9.38 | 10.42 | 11.46       | kHz           |
| CLK/SEL        | Read-out frequency  | Max. clock frequency to read out serial data  |      |       | 1           | MHz           |





Figure 3. Integral and Differential Non-Linearity Example



Integral Non-Linearity (INL) is the maximum deviation between actual position and indicated position.

Differential Non-Linearity (DNL) is the maximum deviation of the step length from one position to the next.

Transition Noise (TN) is the repeatability of an indicated position.



## 7 Timing Characteristics

$T_{AMB} = -40$  to  $+125$  °C,  $V_{DD5V} = 3.0$  to  $3.6V$  (3V operation)  $V_{DD5V} = 4.5$  to  $5.5V$  (5V operation), unless otherwise noted. Also valid for version I.

Table 6. Timing Characteristics

| Symbol                                    | Parameter                             | Conditions   | Min  | Typ  | Max  | Units   |
|---|---------------------------------------|--|------|------|------|---------|
| <b>Synchronous Serial Interface (SSI)</b> |                                       |  |      |      |      |         |
| $t_{DOactive}$                            | Data output activated (logic high)    | Time between falling edge of CSn and data output activated           |      |      | 100  | ns      |
| $t_{CLKFE}$                               | First data shifted to output register | Time between falling edge of CSn and first falling edge of CLK       | 500  |      |      | ns      |
| $T_{CLK/2}$                               | Start of data output                  | Rising edge of CLK shifts out one bit at a time                      | 500  |      |      | ns      |
| $t_{DOvalid}$                             | Data output valid                     | Time between rising edge of CLK and data output valid                |      |      | 413  | ns      |
| $t_{DOtristate}$                          | Data output tri-state                 | After the last bit DO changes back to "tri-state"                    |      |      | 100  | ns      |
| $t_{CSn}$                                 | Pulse width of CSn                    | CSn =high; To initiate read-out of next angular position             | 500  |      |      | ns      |
| $f_{CLK}$                                 | Read-out frequency                    | Clock frequency to read out serial data                              | >0   |      | 1    | MHz     |
| <b>Pulse Width Modulation Output</b>      |                                       |  |      |      |      |         |
| $f_{PWM}$                                 | PWM frequency                         | Signal period = $4098\mu s \pm 10\%$ at $T_{AMB} = -40$ to $+125$ °C | 220  | 244  | 268  | Hz      |
| $PW_{MIN}$                                | Minimum pulse width                   | Position 0d; angle 0 degree  | 0.90 | 1    | 1.10 | $\mu s$ |
| $PW_{MAX}$                                | Maximum pulse width                   | Position 4098d; angle 359.91 degrees                                 | 3686 | 4096 | 4506 | $\mu s$ |
| <b>Programming Conditions</b>             |                                       |  |      |      |      |         |
| $t_{PROG}$                                | Programming time per bit              | Time to prog. a single fuse bit                                      | 10   |      | 20   | $\mu s$ |
| $t_{CHARGE}$                              | Refresh time per bit                  | Time to charge the cap after $t_{PROG}$                              | 1    |      |      | $\mu s$ |
| $f_{LOAD}$                                | LOAD frequency                        | Data can be loaded at $n \times 2\mu s$                              |      |      | 500  | kHz     |
| $f_{READ}$                                | READ frequency                        | Read the data from the latch   |      |      | 2.5  | MHz     |
| $f_{WRITE}$                               | WRITE frequency                       | Write the data to the latch  |      |      | 2.5  | MHz     |



## 8 Detailed Description

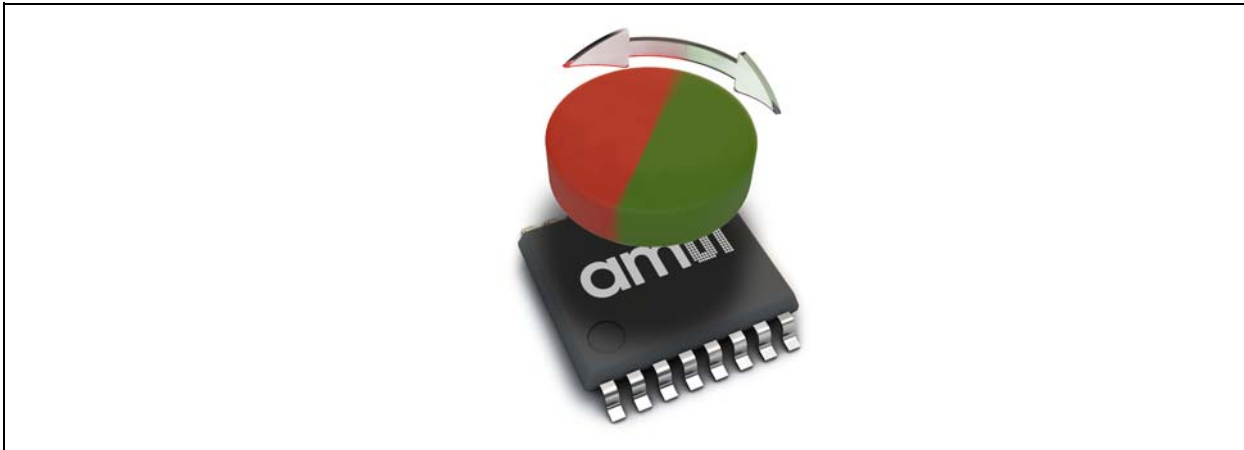
The AS5045B is manufactured in a CMOS standard process and uses a spinning current Hall technology for sensing the magnetic field distribution across the surface of the chip. The integrated Hall elements are placed around the center of the device and deliver a voltage representation of the magnetic field at the surface of the IC.

Through Sigma-Delta Analog / Digital Conversion and Digital Signal-Processing (DSP) algorithms, the AS5045B provides accurate high-resolution absolute angular position information. For this purpose a Coordinate Rotation Digital Computer (CORDIC) calculates the angle and the magnitude of the Hall array signals.

The DSP is also used to provide digital information at the outputs MagINCn and MagDECn that indicate movements of the used magnet towards or away from the device's surface. A small low cost diametrically magnetized (two-pole) standard magnet provides the angular position information (see Figure 16).

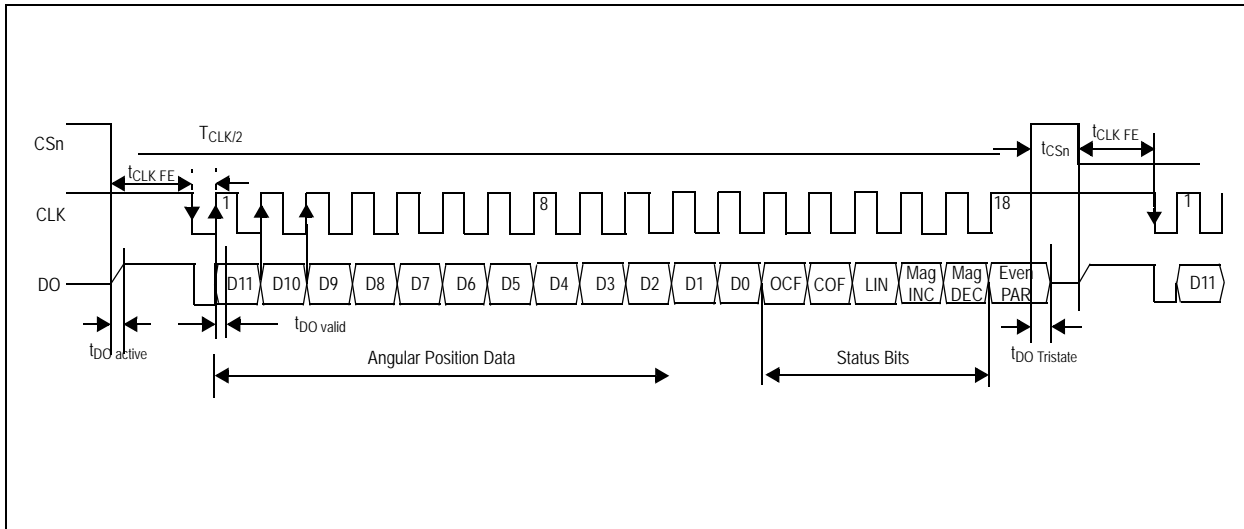
The AS5045B senses the orientation of the magnetic field and calculates a 12-bit binary code. This code can be accessed via a Synchronous Serial Interface (SSI). In addition, an absolute angular representation is given by a Pulse Width Modulated signal at pin 12 (PWM). This PWM signal output also allows the generation of a direct proportional analog voltage, by using an external Low-Pass-Filter. The AS5045B is tolerant to magnet misalignment and magnetic stray fields due to differential measurement technique and Hall sensor conditioning circuitry.

Figure 4. Typical Arrangement of AS5045B and Magnet



### 8.1 Synchronous Serial Interface (SSI)

Figure 5. Synchronous Serial Interface with Absolute Angular Position Data





If CSn changes to logic low, Data Out (DO) will change from high impedance (tri-state) to logic high and the read-out will be initiated.

- After a minimum time  $t_{CLK FE}$ , data is latched into the output shift register with the first falling edge of CLK.
- Each subsequent rising CLK edge shifts out one bit of data.
- The serial word contains 18 bits, the first 12 bits are the angular information D[11:0], the subsequent 6 bits contain system information, about the validity of data such as OCF, COF, LIN, Parity and Magnetic Field status (increase/decrease).
- A subsequent measurement is initiated by a "high" pulse at CSn with a minimum duration of  $t_{CSn}$ .

#### Data Content

D11:D0 absolute angular position data (MSB is clocked out first)

OCF (Offset Compensation Finished), logic high indicates the finished Offset Compensation Algorithm

COF (Cordic Overflow), logic high indicates an out of range error in the CORDIC part. When this bit is set, the data at D11:D0 is invalid. The absolute output maintains the last valid angular value.

This alarm can be resolved by bringing the magnet within the X-Y-Z tolerance limits.

LIN (Linearity Alarm), logic high indicates that the input field generates a critical output linearity.

When this bit is set, the data at D11:D0 can still be used, but can contain invalid data. This warning can be resolved by bringing the magnet within the X-Y-Z tolerance limits.

Even Parity bit for transmission error detection of bits 1...17 (D11...D0, OCF, COF, LIN, MagINC, MagDEC)

Placing the magnet above the chip, angular values increase in clockwise direction by default.

Data D11:D0 is valid, when the status bits have the following configurations:

Table 7. Status Bit Outputs

| OCF | COF | LIN | Mag INC | Mag DEC | Parity                     |
|-----|-----|-----|---------|---------|----------------------------|
| 1   | 0   | 0   | 0       | 0       | Even checksum of bits 1:15 |
|     |     |     | 0       | 1       |                            |
|     |     |     | 1       | 0       |                            |
|     |     |     | 1       | 1       |                            |

**Note:** MagInc=MagDec=1 is only recommended in YELLOW mode (see Table 8)

**Z-axis Range Indication (Push Button Feature, Red/Yellow/Green Indicator).** The AS5045B provides several options of detecting movement and distance of the magnet in the Z-direction. Signal indicators MagINCn and MagDECn are available both as hardware pins (pins #1 and 2) and as status bits in the serial data stream (see Figure 5).

In the default state, the status bits MagINC, MagDec and pins MagINCn, MagDECn have the following function:

Table 8. Magnetic Field Strength Red-Yellow-Green Indicator

| Status Bits            |         |     | Hardware Pins |          | OTP: Mag CompEn = 1 (Red-Yellow-Green)   |
|------------------------|---------|-----|---------------|----------|--|
| Mac INC                | Mag DEC | LIN | Mac INCn      | Mag DECn | Description  |
| 0                      | 0       | 0   | Off           | Off      | No distance change<br>Magnetic input field OK (GREEN range, ~45...75mT)  |
| 1                      | 1       | 0   | On            | Off      | YELLOW range: magnetic field is ~ 25...45mT or ~75...135mT. The AS5045B can still be operated in this range, but with slightly reduced accuracy. |
| 1                      | 1       | 1   | On            | On       | RED range: magnetic field is ~<25mT or >~135mT. It is still possible to operate the AS5045B in the red range, but not recommended.               |
| All other combinations |         |     | n/a           | n/a      | Not available  |

**Note:** Pin 1 (MagINCn) and pin 2 (MagDECn) are active low via open drain output and require an external pull-up resistor. If the magnetic field is in range, both outputs are turned off.



The two pins can also be combined with a single pull-up resistor. In this case, the signal is high when the magnetic field is in range. It is low in all other cases (see Table 8).

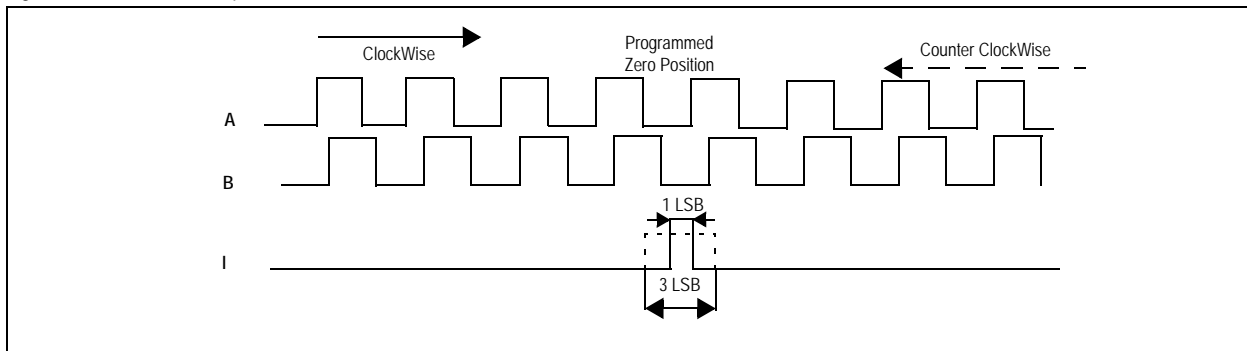
## 8.2 Incremental Mode

The AS5045B has an internal interpolator block. This function is used if the input magnetic field is too fast and a code position is missing. In this case an interpolation is done.

**Incremental Power-up Lock Option.** After power-up, the incremental outputs can optionally be locked or unlocked, depending on the status of the CSn pin:

- CSn = low at power-up: CSn has an internal pull-up resistor and must be externally pulled low ( $R_{ext} \leq 5k\Omega$ ). If CSn is low at power-up, the incremental outputs (A, B, Index) will be high until the internal offset compensation is finished. This unique state (A=B=Index = high) can be used as an indicator for the external controller to shorten the waiting time at power-up. Instead of waiting for the specified maximum power up-time (0), the controller can start requesting data from the AS5045B as soon as the state (A=B=Index = high) is cleared.
- CSn = high or open at power-up: In this mode, the incremental outputs (A, B, Index) will remain at logic high state, until CSn goes low or a low pulse is applied at CSn. This mode allows intentional disabling of the incremental outputs until, for example the system microcontroller is ready to receive data.

Figure 6. Incremental Output

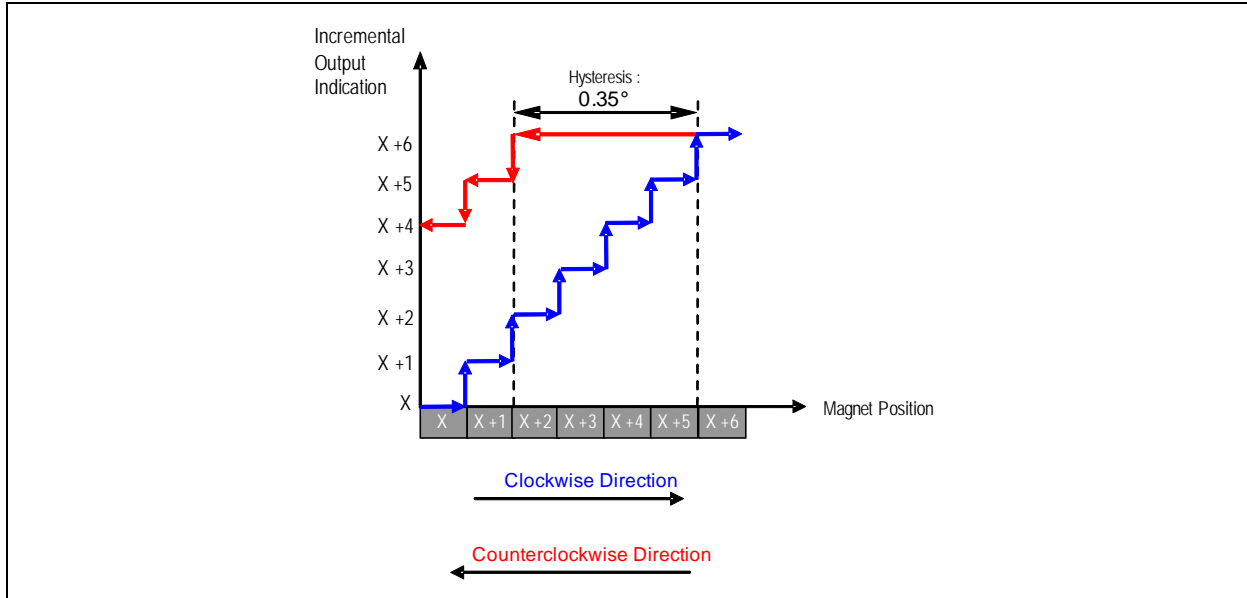


The hysteresis trimming is done at the final test (factory trimming) and set to 4 LSB, related to a 12-bit number.

**Incremental Output Hysteresis.** To avoid flickering incremental outputs at a stationary magnet position, a hysteresis is introduced. In case of a rotational direction change, the incremental outputs have a hysteresis of 4 LSB. Regardless of the programmed incremental resolution, the hysteresis of 4 LSB always corresponds to the highest resolution of 12-bit. In absolute terms, the hysteresis is set to 0.35 degrees for all resolutions. For constant rotational directions, every magnet position change is indicated at the incremental outputs (see Figure 7). For example, if the magnet turns clockwise from position "x+3" to "x+4", the incremental output would also indicate this position accordingly. A change of the magnet's rotational direction back to position "x+3" means that the incremental output still remains unchanged for the duration of 4 LSB, until position "x+2" is reached. Following this direction, the incremental outputs will again be updated with every change of the magnet position.



Figure 7. Hysteresis Window for Incremental Outputs



**Incremental Output Validity.** During power on the incremental output is kept stable high until the offset compensation is finished and the CSn is low (internal Pull Up) the first time. In quadrature mode A = B = Index = high indicates an invalid output. If the interpolator recognizes a difference larger than 128 steps between two samples it holds the last valid state. The interpolator synchronizes up again with the next valid difference. This avoids undefined output burst, e.g. if no magnet is present.

### 8.3 Daisy Chain Mode

The Daisy Chain mode allows connection of several AS5045Bs in series, while still keeping just one digital input for data transfer (see "Data IN" in Figure 8). This mode is accomplished by connecting the data output (DO; pin 9) to the data input (PDIO; pin 8) of the subsequent device. The serial data of all connected devices is read from the DO pin of the first device in the chain. The length of the serial bit stream increases with every connected device, it is  $n * (18+1)$  bits:  $n$ = number of devices. e.g. 38 bit for two devices, 57 bit for three devices, etc.

The last data bit of the first device (Parity) is followed by a dummy bit and the first data bit of the second device (D11), etc. (see Figure 9).

Figure 8. Daisy Chain Hardware Configuration

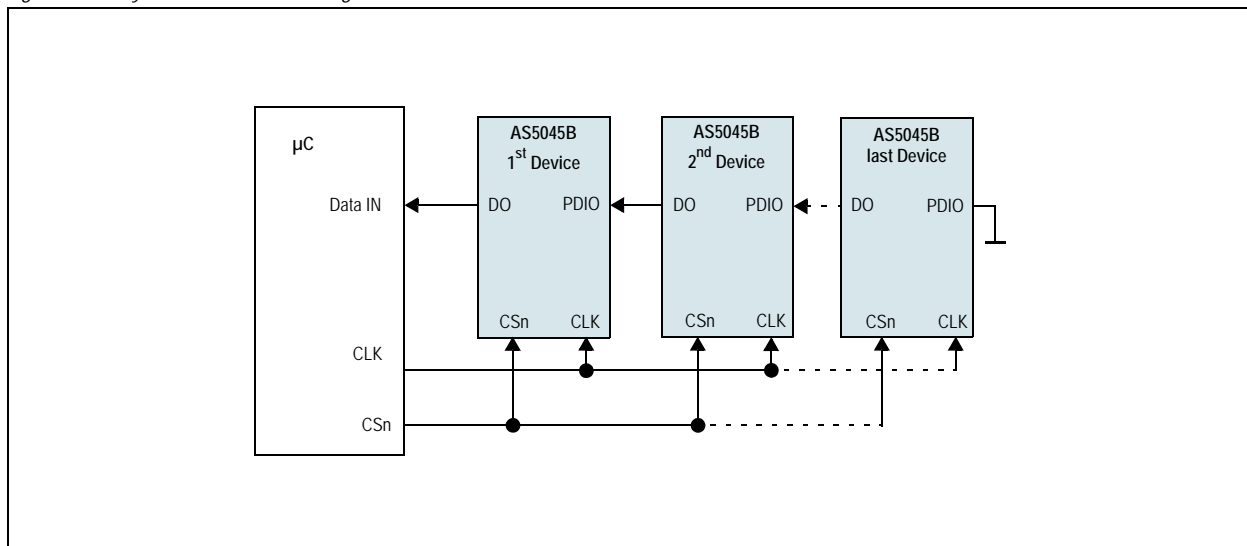
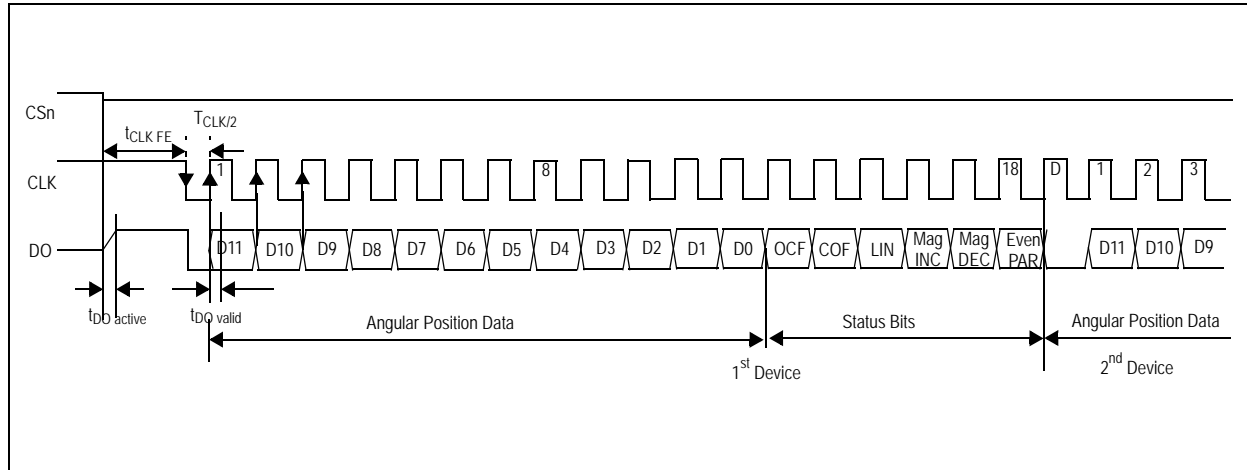




Figure 9. Daisy Chain Mode Data Transfer



### 8.4 Pulse Width Modulation (PWM) Output

The AS5045B provides a pulse width modulated output (PWM), whose duty cycle is proportional to the measured angle. For angle position 0 to 4094

$$Position = \frac{t_{on} \cdot 4098}{(t_{on} + t_{off})} - 1 \tag{EQ 1}$$

**Examples:**

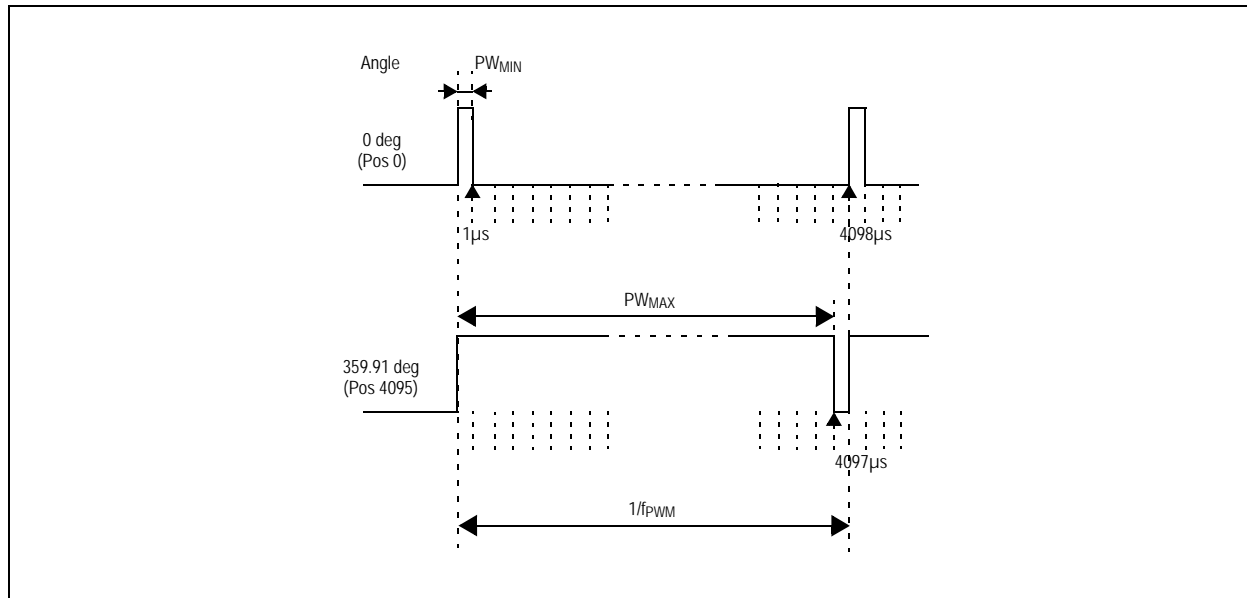
1. An angle position of 180° will generate a pulse width  $t_{on} = 2049\mu s$  and a pause  $t_{off}$  of  $2049\mu s$  resulting in Position = 2048 after the calculation:  $2049 \cdot 4098 / (2049 + 2049) - 1 = 2048$
2. An angle position of 359.8° will generate a pulse width  $t_{on} = 4095\mu s$  and a pause  $t_{off}$  of  $3\mu s$  resulting in Position = 4094 after the calculation:  $4095 \cdot 4098 / (4095 + 3) - 1 = 4094$

**Exception:**

1. An angle position of 359.9° will generate a pulse width  $t_{on} = 4097\mu s$  and a pause  $t_{off}$  of  $1\mu s$  resulting in Position = 4096 after the calculation:  $4097 \cdot 4098 / (4097 + 1) - 1 = 4096$

The PWM frequency is internally trimmed to an accuracy of ±5% (±10% over full temperature range). This tolerance can be cancelled by measuring the complete duty cycle as shown above.

Figure 10. PWM Output Signal





### 8.4.1 Changing the PWM Frequency

The PWM frequency of the AS5045B can be divided by two by setting a bit (PWMhalfEN) in the OTP register (see [Programming the AS5045B on page 17](#)). With PWMhalfEN = 0 the PWM timing is as shown in [Table 9](#):

Table 9. PWM Signal Parameters (Default mode)

| Symbol     | Parameter       | Typ  | Unit    | Note                                   |
|------------|-----------------|------|---------|--|
| $f_{PWM}$  | PWM frequency   | 244  | Hz      | Signal period: 4097 $\mu$ s            |
| $PW_{MIN}$ | MIN pulse width | 1    | $\mu$ s | - Position 0d<br>- Angle 0 deg         |
| $PW_{MAX}$ | MAX pulse width | 4097 | $\mu$ s | - Position 4095d<br>- Angle 359.91 deg |

When PWMhalfEN = 1, the PWM timing is as shown in [Table 10](#):

Table 10. PWM Signal Parameters with Half Frequency (OTP option)

| Symbol     | Parameter       | Typ  | Unit    | Note                                   |
|------------|-----------------|------|---------|--|
| $f_{PWM}$  | PWM frequency   | 122  | Hz      | Signal period: 8194 $\mu$ s            |
| $PW_{MIN}$ | MIN pulse width | 2    | $\mu$ s | - Position 0d<br>- Angle 0 deg         |
| $PW_{MAX}$ | MAX pulse width | 8194 | $\mu$ s | - Position 4095d<br>- Angle 359.91 deg |

## 8.5 Analog Output

An analog output can be generated by averaging the PWM signal, using an external active or passive low pass filter. The analog output voltage is proportional to the angle: 0° = 0V; 360° = VDD5V.

Using this method, the AS5045B can be used as direct replacement of potentiometers.

Figure 11. Simple 2nd Order Passive RC Low Pass Filter

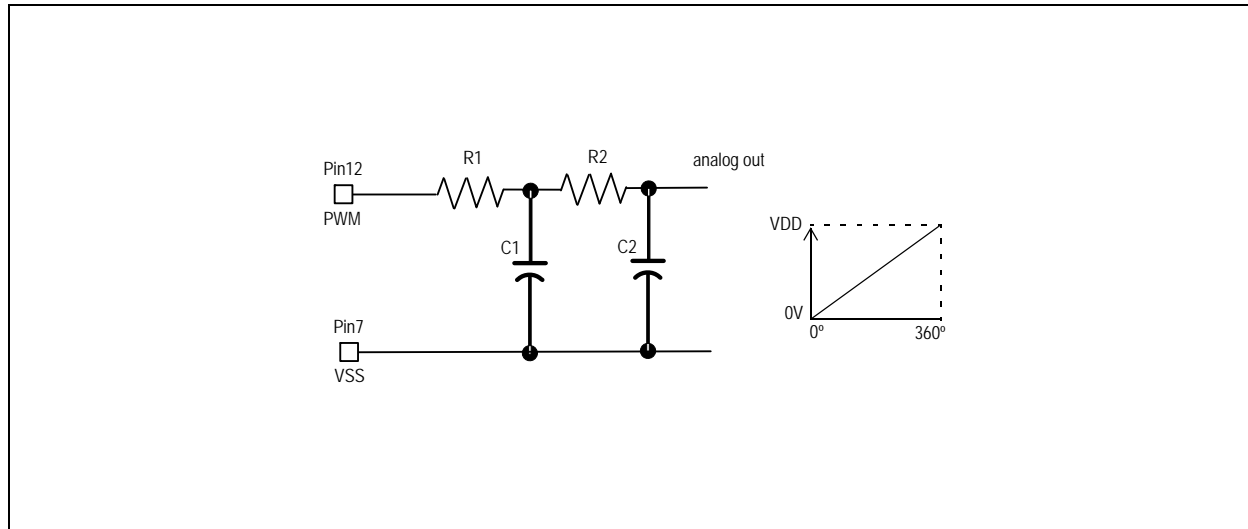


Figure 10 shows an example of a simple passive low pass filter to generate the analog output.

$$R1, R2 \geq 10k\Omega \quad C1, C2 \geq 2.2\mu F / 6V \quad (EQ 2)$$

R1 should be greater than or equal to 4k $\Omega$  to avoid loading of the PWM output. Larger values of Rx and Cx will provide better filtering and less ripple, but will also slow down the response time.





## 9 Application Information

The benefits of AS5045B are as follows:

- Complete system-on-chip
- Flexible system solution provides absolute and PWM outputs simultaneously
- Ideal for applications in harsh environments due to contactless position sensing
- No calibration required
- No temperature compensation necessary

### 9.1 Programming the AS5045B

After power-on, programming the AS5045B is enabled with the rising edge of CSn with PDIO = high and CLK = low.

The AS5045B programming is a one-time-programming (OTP) method, based on poly silicon fuses. The advantage of this method is that a programming voltage of only 3.3V to 3.6V is required for programming (either with 3.3V or 5V supply).

The OTP consists of 52 bits, of which 21 bits are available for user programming. The remaining 31 bits contain factory settings and a unique chip identifier (Chip-ID).

A single OTP cell can be programmed only once. Per default, the cell is "0"; a programmed cell will contain a "1". While it is not possible to reset a programmed bit from "1" to "0", multiple OTP writes are possible, as long as only unprogrammed "0"-bits are programmed to "1".

Independent of the OTP programming, it is possible to overwrite the OTP register temporarily with an OTP write command at any time. This setting will be cleared and overwritten with the hard programmed OTP settings at each power-up sequence or by a LOAD operation. Use **application note AN514X\_10** to get more information about the programming options.

The OTP memory can be accessed in the following ways:

- **Load Operation:** The Load operation reads the OTP fuses and loads the contents into the OTP register. A Load operation is automatically executed after each power-on-reset.
- **Write Operation:** The Write operation allows a temporary modification of the OTP register. It does not program the OTP. This operation can be invoked multiple times and will remain set while the chip is supplied with power and while the OTP register is not modified with another Write or Load operation.
- **Read Operation:** The Read operation reads the contents of the OTP register, for example to verify a Write command or to read the OTP memory after a Load command.
- **Program Operation:** The Program operation writes the contents of the OTP register permanently into the OTP ROM.
- **Analog Readback Operation:** The Analog Readback operation allows a quantifiable verification of the programming. For each programmed or unprogrammed bit, there is a representative analog value (in essence, a resistor value) that is read to verify whether a bit has been successfully programmed or not.

#### 9.1.1 Zero Position Programming

Zero position programming is an OTP option that simplifies assembly of a system, as the magnet does not need to be manually adjusted to the mechanical zero position. Once the assembly is completed, the mechanical and electrical zero positions can be matched by software. Any position within a full turn can be defined as the permanent new zero position.

For zero position programming, the magnet is turned to the mechanical zero position (e.g. the "off"-position of a rotary switch) and the actual angular value is read.

This value is written into the OTP register bits Z35:Z46 (see [Figure 12](#)).

**Note:** The zero position value can also be modified before programming, e.g. to program an electrical zero position that is 180° (half turn) from the mechanical zero position, just add 2048 to the value read at the mechanical zero position and program the new value into the OTP register.



### 9.1.2 OTP Memory Assignment

Table 11. OTP Bit Assignment

| Bit | Symbol                | Function  |                  |
|-----|-----------------------|---|------------------|
|     | mbit1                 | Factory Bit 1   |                  |
| 51  | PWMhalfEN_Index width | PMW frequency Index pulse width                             | Customer Section |
| 50  | MagCompEn             | Alarm mode (programmed by ams to 1)                         |                  |
| 49  | pwmDIS                | Disable PWM   |                  |
| 48  | Reserved              | 12 bit inc. (programmed by ams)<br>bit 47 to 1, bit 48 to 0 |                  |
| 47  | Reserved              |   |                  |
| 46  | Z0                    | 12-bit Zero Position  |                  |
| :   | :                     |   |                  |
| 35  | Z11                   |   |                  |
| 34  | CCW                   | Direction   |                  |
| 33  | RA0                   | Redundancy Address  |                  |
| :   | :                     |   |                  |
| 29  | RA4                   |   |                  |
| 28  | FS 0                  | Factory Bit   | Factory Section  |
| 27  | FS 1                  |   |                  |
| 26  | FS 2                  |   |                  |
| 25  | FS 3                  |   |                  |
| 24  | FS 4                  |   |                  |
| 23  | FS 5                  |   |                  |
| :   | :                     |   |                  |
| 20  | FS 8                  |   |                  |
| 19  | FS 9                  |   |                  |
| 18  | FS 10                 |   |                  |
| 17  | ChipID0               | 18-bit Chip ID  | ID Section       |
| 16  | ChipID1               |   |                  |
| :   | :                     |   |                  |
| 0   | ChipID17              |   |                  |
|     | mbit0                 | Factory Bit 0   |                  |

### 9.1.3 User Selectable Settings

The AS5045B allows programming of the following user selectable options:

- **PWMhalfEN\_Indexwidth**: Setting this bit, the PWM pulse will be divided by 2, in case of quadrature incremental mode A/B/Index setting of Index impulse width from 1 LSB to 3LSB
- **Z [11:0]**: Programmable Zero / Index Position



- **CCW**: Counter Clockwise Bit  
 ccw=0 – angular value increases in clockwise direction  
 ccw=1 – angular value increases in counterclockwise direction
- **RA [4:0]**: Redundant Address: an OTP bit location addressed by this address is always set to "1" independent of the corresponding original OTP bit setting

### 9.1.4 OTP Default Setting

The AS5045B can also be operated without programming. The default, un-programmed setting is:

- **Z0 to Z11**: 00 = no programmed zero position
- **CCW**: 0 = clockwise operation
- **RA4 to RA0**: 0 = no OTP bit is selected
- **MagCompEN**: 1 = The green/yellow Mode is enabled

### 9.1.5 Redundancy

For a better programming reliability a redundancy is implemented. In case when the programming of one bit failed this function can be used. With an address RA(4:0) one bit can be selected and programmed.

Table 12. Redundancy Addressing

| Address | PWMhalfEN_Indexwidth | MagCompEN | pwmDJS | Reserved | Reserved | Z0 | Z1 | Z2 | Z3 | Z4 | Z5 | Z6 | Z7 | Z8 | Z9 | Z10 | Z11 | CCW |
|---------|----------------------|-----------|--------|----------|----------|----|----|----|----|----|----|----|----|----|----|-----|-----|-----|
| 00000   | 0                    | 0         | 0      | 0        | 0        | 0  | 0  | 0  | 0  | 0  | 0  | 0  | 0  | 0  | 0  | 0   | 0   | 0   |
| 00001   | 1                    | 0         | 0      | 0        | 0        | 0  | 0  | 0  | 0  | 0  | 0  | 0  | 0  | 0  | 0  | 0   | 0   | 0   |
| 00010   | 0                    | 1         | 0      | 0        | 0        | 0  | 0  | 0  | 0  | 0  | 0  | 0  | 0  | 0  | 0  | 0   | 0   | 0   |
| 00011   | 0                    | 0         | 1      | 0        | 0        | 0  | 0  | 0  | 0  | 0  | 0  | 0  | 0  | 0  | 0  | 0   | 0   | 0   |
| 00100   | 0                    | 0         | 0      | 1        | 0        | 0  | 0  | 0  | 0  | 0  | 0  | 0  | 0  | 0  | 0  | 0   | 0   | 0   |
| 00101   | 0                    | 0         | 0      | 0        | 1        | 0  | 0  | 0  | 0  | 0  | 0  | 0  | 0  | 0  | 0  | 0   | 0   | 0   |
| 00110   | 0                    | 0         | 0      | 0        | 0        | 1  | 0  | 0  | 0  | 0  | 0  | 0  | 0  | 0  | 0  | 0   | 0   | 0   |
| 00111   | 0                    | 0         | 0      | 0        | 0        | 0  | 1  | 0  | 0  | 0  | 0  | 0  | 0  | 0  | 0  | 0   | 0   | 0   |
| 01000   | 0                    | 0         | 0      | 0        | 0        | 0  | 0  | 1  | 0  | 0  | 0  | 0  | 0  | 0  | 0  | 0   | 0   | 0   |
| 01001   | 0                    | 0         | 0      | 0        | 0        | 0  | 0  | 0  | 1  | 0  | 0  | 0  | 0  | 0  | 0  | 0   | 0   | 0   |
| 01010   | 0                    | 0         | 0      | 0        | 0        | 0  | 0  | 0  | 0  | 1  | 0  | 0  | 0  | 0  | 0  | 0   | 0   | 0   |
| 01011   | 0                    | 0         | 0      | 0        | 0        | 0  | 0  | 0  | 0  | 0  | 1  | 0  | 0  | 0  | 0  | 0   | 0   | 0   |
| 01100   | 0                    | 0         | 0      | 0        | 0        | 0  | 0  | 0  | 0  | 0  | 0  | 1  | 0  | 0  | 0  | 0   | 0   | 0   |
| 01101   | 0                    | 0         | 0      | 0        | 0        | 0  | 0  | 0  | 0  | 0  | 0  | 0  | 1  | 0  | 0  | 0   | 0   | 0   |
| 01110   | 0                    | 0         | 0      | 0        | 0        | 0  | 0  | 0  | 0  | 0  | 0  | 0  | 0  | 1  | 0  | 0   | 0   | 0   |
| 01111   | 0                    | 0         | 0      | 0        | 0        | 0  | 0  | 0  | 0  | 0  | 0  | 0  | 0  | 0  | 1  | 0   | 0   | 0   |
| 10000   | 0                    | 0         | 0      | 0        | 0        | 0  | 0  | 0  | 0  | 0  | 0  | 0  | 0  | 0  | 0  | 1   | 0   | 0   |
| 10001   | 0                    | 0         | 0      | 0        | 0        | 0  | 0  | 0  | 0  | 0  | 0  | 0  | 0  | 0  | 0  | 0   | 1   | 0   |
| 10010   | 0                    | 0         | 0      | 0        | 0        | 0  | 0  | 0  | 0  | 0  | 0  | 0  | 0  | 0  | 0  | 0   | 0   | 1   |
| 10101   | 1                    | 1         | 1      | 1        | 1        | 1  | 1  | 1  | 1  | 1  | 1  | 1  | 1  | 1  | 1  | 1   | 1   | 1   |



### 9.1.6 Redundant Programming Option

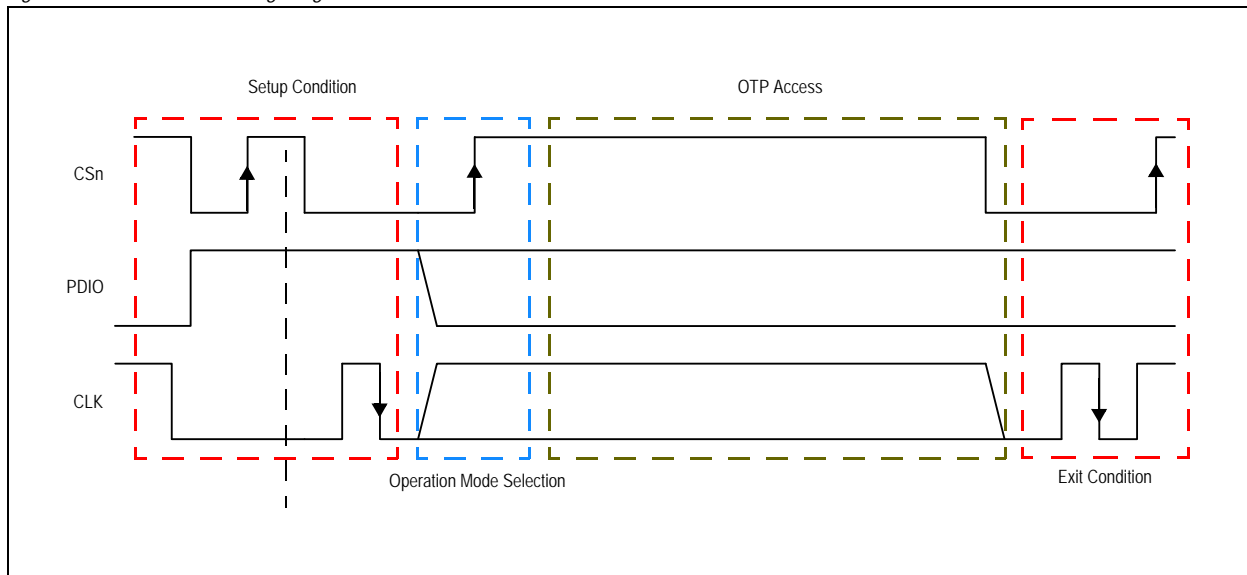
In addition to the regular programming, a redundant programming option is available. This option allows that one selectable OTP bit can be set to "1" (programmed state) by writing the location of that bit into a 5-bit address decoder. This address can be stored in bits RA4...RA0 in the OTP user settings.

Example: setting RA4...0 to "00001" will select bit 51 = PWhalfEN\_Indexwidth, "00010" selects bit 50 = MagCompEN, "10010" selects bit 34 = CCW, etc.

### 9.1.7 OTP Register Entry and Exit Condition

For timing options, refer to [Programming the AS5045B \(page 17\)](#).

Figure 12. OTP Access Timing Diagram



To avoid accidental modification of the OTP during normal operation, each OTP access (Load, Write, Read, Program) requires a defined entry and exit procedure, using the CSn, PDIO and CLK signals as shown in [Figure 12](#).



## 9.2 Alignment Mode

The alignment mode simplifies centering the magnet over the center of the chip to gain maximum accuracy.

Alignment mode can be enabled with the falling edge of CSn while PDIO = logic high (see Figure 13). The Data bits D11-D0 of the SSI change to a 12-bit displacement amplitude output. A high value indicates large X or Y displacement, but also higher absolute magnetic field strength. The magnet is properly aligned, when the difference between highest and lowest value over one full turn is at a minimum.

Under normal conditions, a properly aligned magnet will result in a reading of less than 128 over a full turn.

The MagINCn and MagDECn indicators will be = 1 when the alignment mode reading is < 128. At the same time, both hardware pins MagINCn (#1) and MagDECn (#2) will be pulled to VSS. A properly aligned magnet will therefore produce a MagINCn = MagDECn = 1 signal throughout a full 360° turn of the magnet.

Stronger magnets or short gaps between magnet and IC will show values larger than 128. These magnets are still properly aligned as long as the difference between highest and lowest value over one full turn is at a minimum.

The Alignment mode can be reset to normal operation by a power-on-reset (disconnect / re-connect power supply) or by a falling edge on CSn with PDIO = low.

Figure 13. Enabling the Alignment Mode

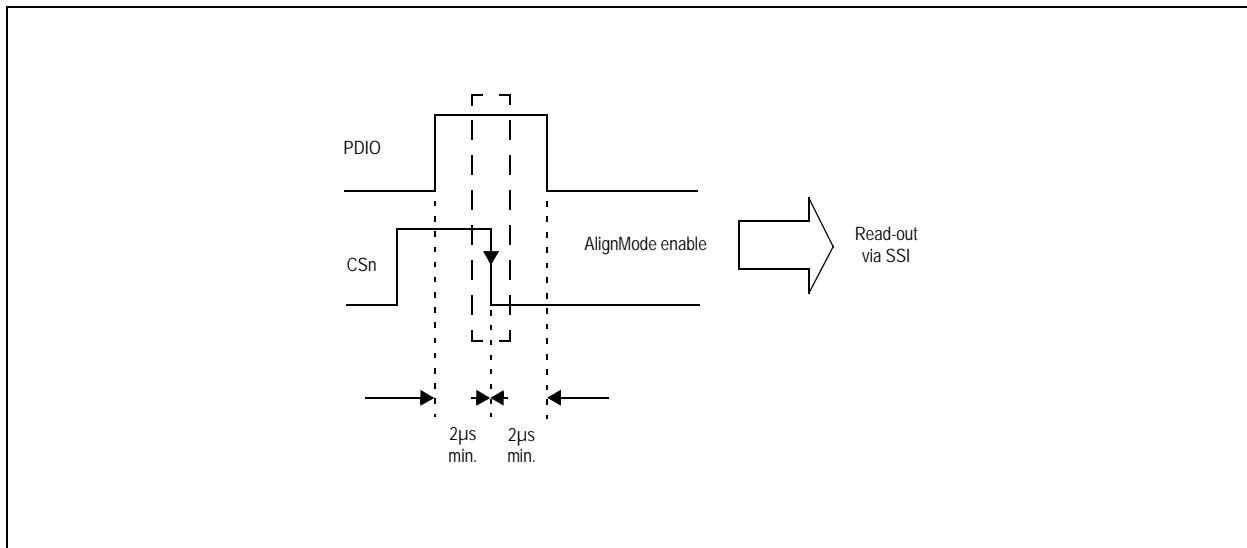
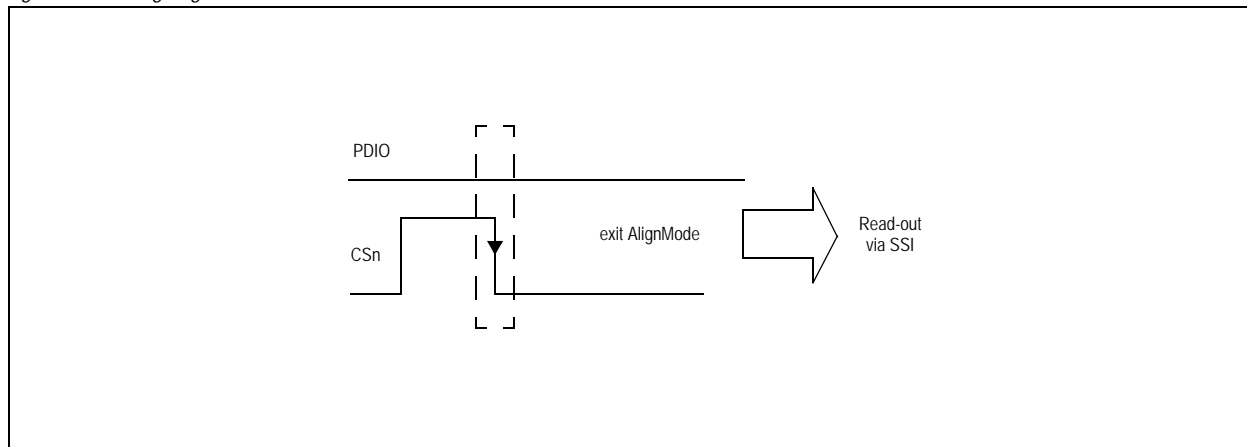


Figure 14. Exiting Alignment Mode





### 9.3 3.3V / 5V Operation

The AS5045B operates either at 3.3V  $\pm$ 10% or at 5V  $\pm$ 10%. This is made possible by an internal 3.3V Low-Dropout (LDO) Voltage regulator. The internal supply voltage is always taken from the output of the LDO, meaning that the internal blocks are always operating at 3.3V.

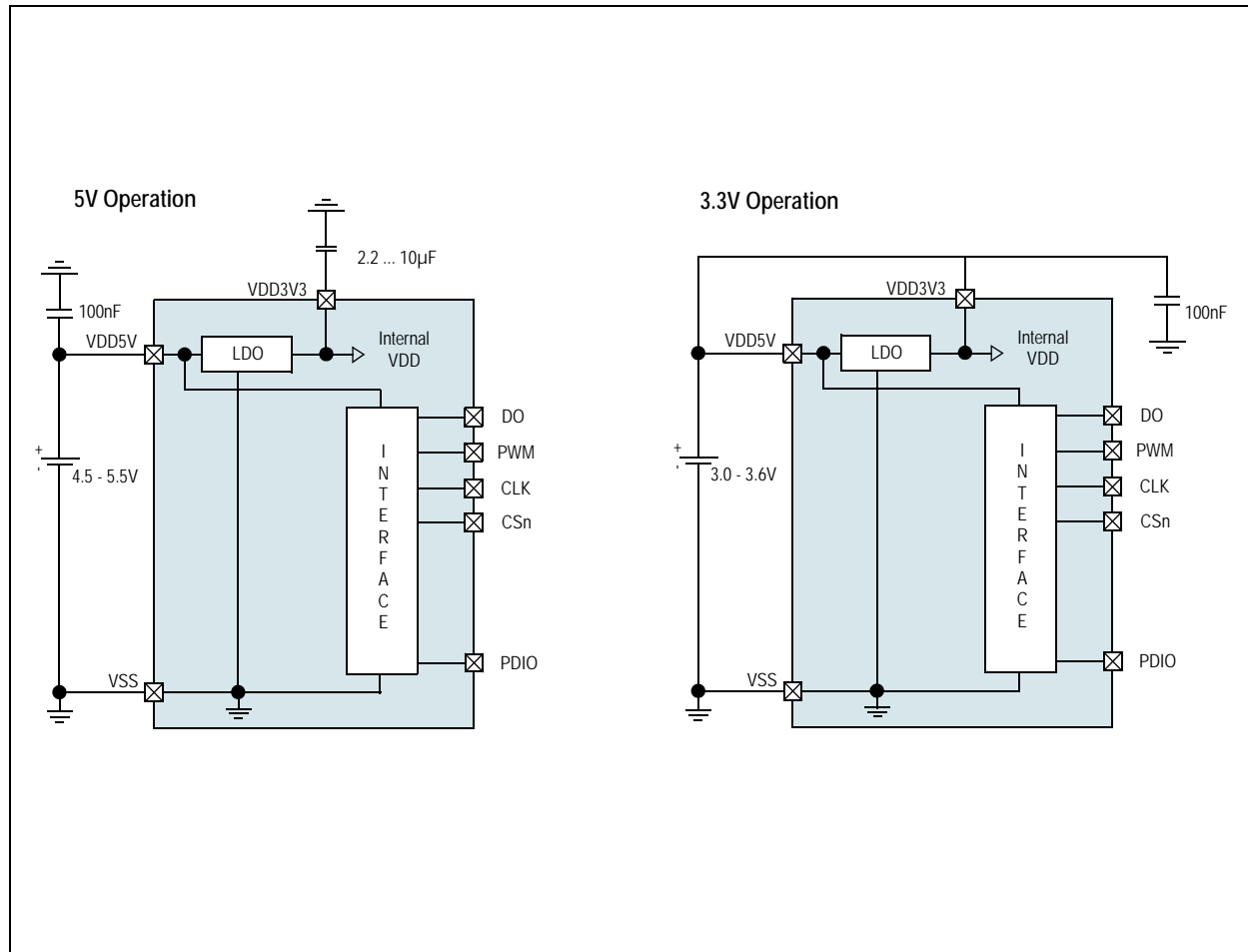
For 3.3V operation, the LDO must be bypassed by connecting VDD3V3 with VDD5V (see Figure 15).

For 5V operation, the 5V supply is connected to pin VDD5V, while VDD3V3 (LDO output) must be buffered by a 1...10 $\mu$ F capacitor, which is supposed to be placed close to the supply pin (see Figure 15) with recommended 2.2 $\mu$ F).

**Note:** The VDD3V3 output is intended for internal use only. It must not be loaded with an external load.

The output voltage of the digital interface I/O's corresponds to the voltage at pin VDD5V, as the I/O buffers are supplied from this pin.

Figure 15. Connections for 5V / 3.3V Supply Voltages



A buffer capacitor of 100nF is recommended in both cases close to pin VDD 5V. Note that pin VDD 3V3 must always be buffered by a capacitor. It must not be left floating, as this may cause an unstable internal 3.3V supply voltage which can lead to larger than normal jitter of the measured angle.

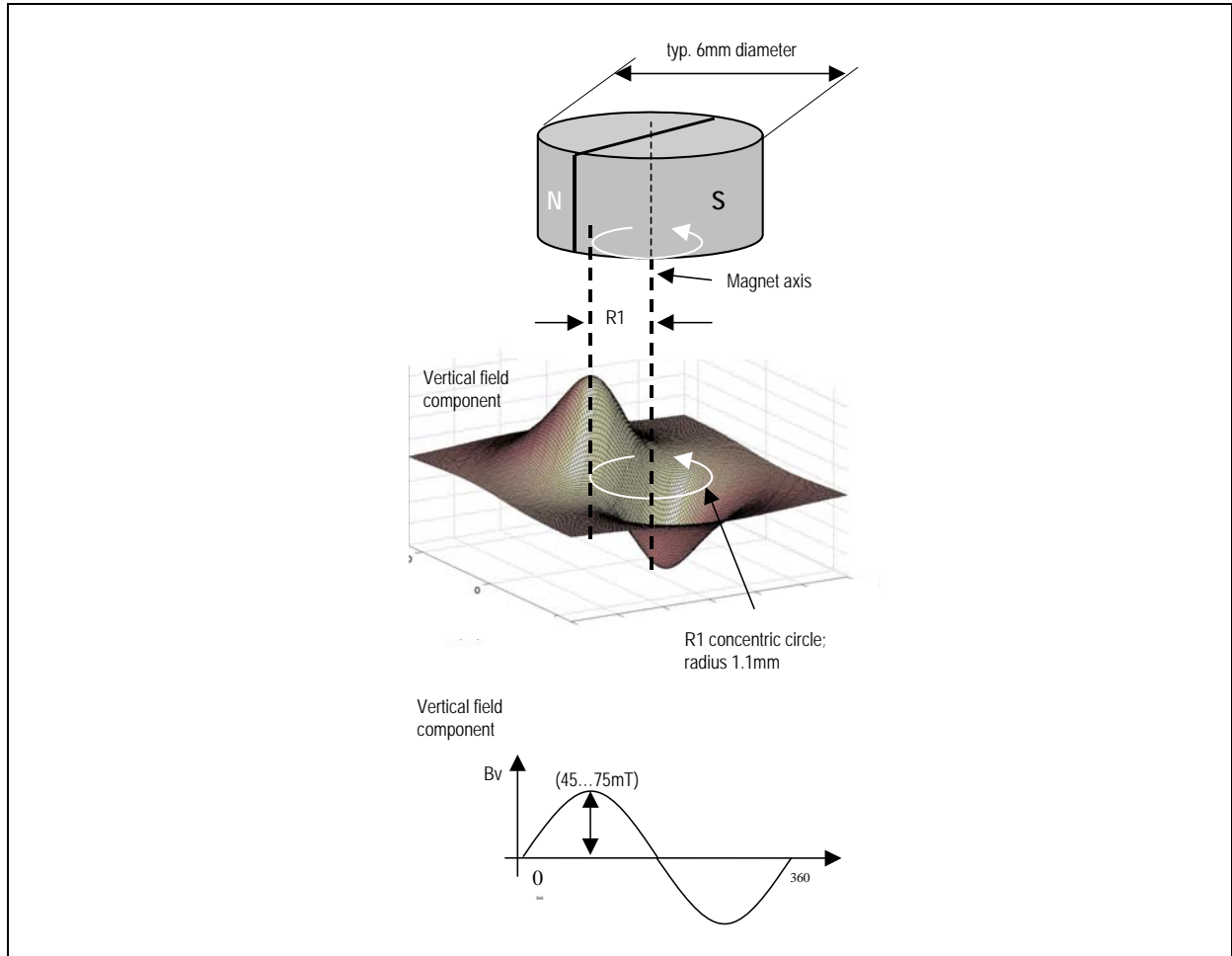
### 9.4 Selecting Proper Magnet

Typically the magnet is 6mm in diameter and 2.5mm in height. Magnetic materials such as rare earth AlNiCo/SmCo5 or NdFeB are recommended. The magnetic field strength perpendicular to the die surface has to be in the range of  $\pm$ 45mT... $\pm$ 75mT (peak).

The magnet's field strength is verified using a gauss-meter. The magnetic field Bv at a given distance, along a concentric circle with a radius of 1.1mm (R1) is in the range of  $\pm$ 45mT... $\pm$ 75mT (see Figure 16).



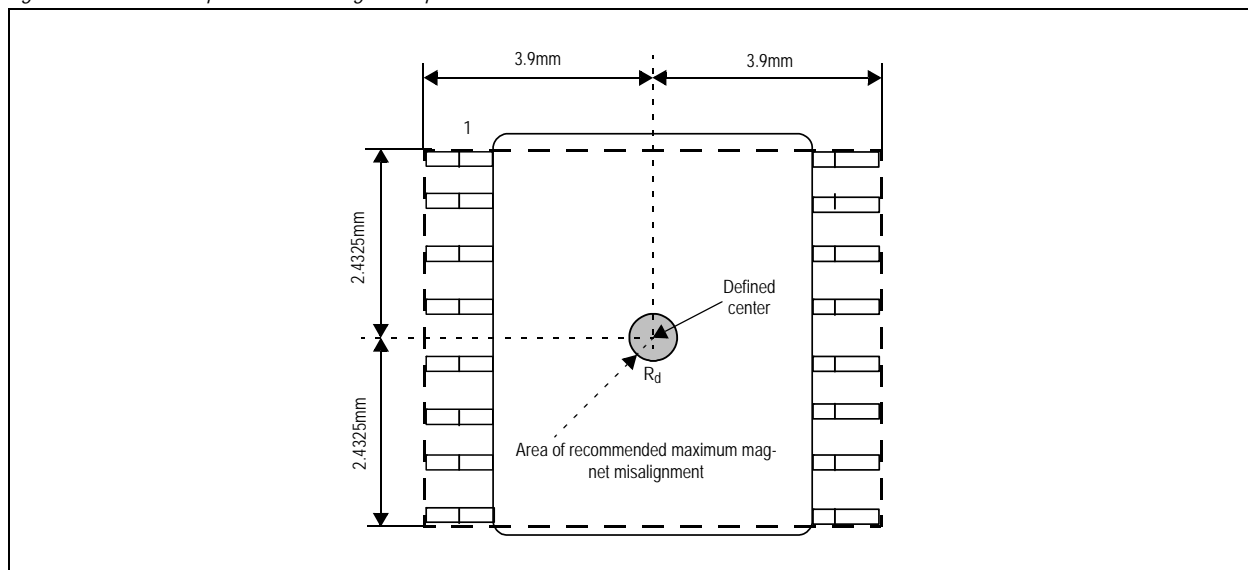
Figure 16. Typical Magnet (6x3mm) and Magnetic Field Distribution



9.4.1 Physical Placement of the Magnet

The best linearity can be achieved by placing the center of the magnet exactly over the defined center of the chip as shown in the drawing below:

Figure 17. Defined Chip Center and Magnet Displacement Radius





### 9.4.2 Magnet Placement

The magnet's center axis must be aligned within a displacement radius  $R_d$  of 0.25mm from the defined center of the IC. The magnet can be placed below or above the device. The distance can be chosen such that the magnetic field on the die surface is within the specified limits (see Figure 17). The typical distance "z" between the magnet and the package surface is 0.5mm to 1.5mm, provided the use of the recommended magnet material and dimensions (6mm x 3mm). Larger distances are possible, as long as the required magnetic field strength stays within the defined limits.

A magnetic field outside the specified range still can be detected by the chip. But the out-of-range condition will be indicated by MagINCn (pin 1) and MagDECn (pin 2), (see Table 1).

## 9.5 Failure Diagnostics

The AS5045B also offers several diagnostic and failure detection features:

### 9.5.1 Magnetic Field Strength Diagnosis

**By software:** the MagINC and MagDEC status bits will both be high when the magnetic field is out of range.

**By hardware:** Pins #1 (MagINCn) and #2 (MagDECn) are open-drain outputs and will both be turned on (= low with external pull-up resistor) when the magnetic field is out of range. If only one of the outputs are low, the magnet is either moving towards the chip (MagINCn) or away from the chip (MagDECn).

### 9.5.2 Power Supply Failure Detection

**By software:** If the power supply to the AS5045B is interrupted, the digital data read by the SSI will be all "0"s. Data is only valid, when bit OCF is high, hence a data stream with all "0"s is invalid. To ensure adequate low levels in the failure case, a pull-down resistor (~10k $\Omega$ ) must be added between pin DIO and VSS at the receiving side.

**By hardware:** The MagINCn and MagDECn pins are open drain outputs and require external pull-up resistors. In normal operation, these pins are high ohmic and the outputs are high (see Table 8). In a failure case, either when the magnetic field is out of range of the power supply is missing, these outputs will become low. To ensure adequate low levels in case of a broken power supply to the AS5045B, the pull-up resistors (~10k $\Omega$ ) from each pin must be connected to the positive supply at pin 16 (VDD5V).

**By hardware:** PWM output: The PWM output is a constant stream of pulses with 1kHz repetition frequency. In case of power loss, these pulses are missing.

## 9.6 Angular Output Tolerances

### 9.6.1 Accuracy

Accuracy is defined as the error between measured angle and actual angle. It is influenced by several factors:

- The non-linearity of the analog-digital converters
- Internal gain and mismatch errors
- Non-linearity due to misalignment of the magnet

As a sum of all these errors, the accuracy with centered magnet =  $(Err_{max} - Err_{min})/2$  is specified as better than  $\pm 0.5$  degrees @ 25°C (see Figure 19).

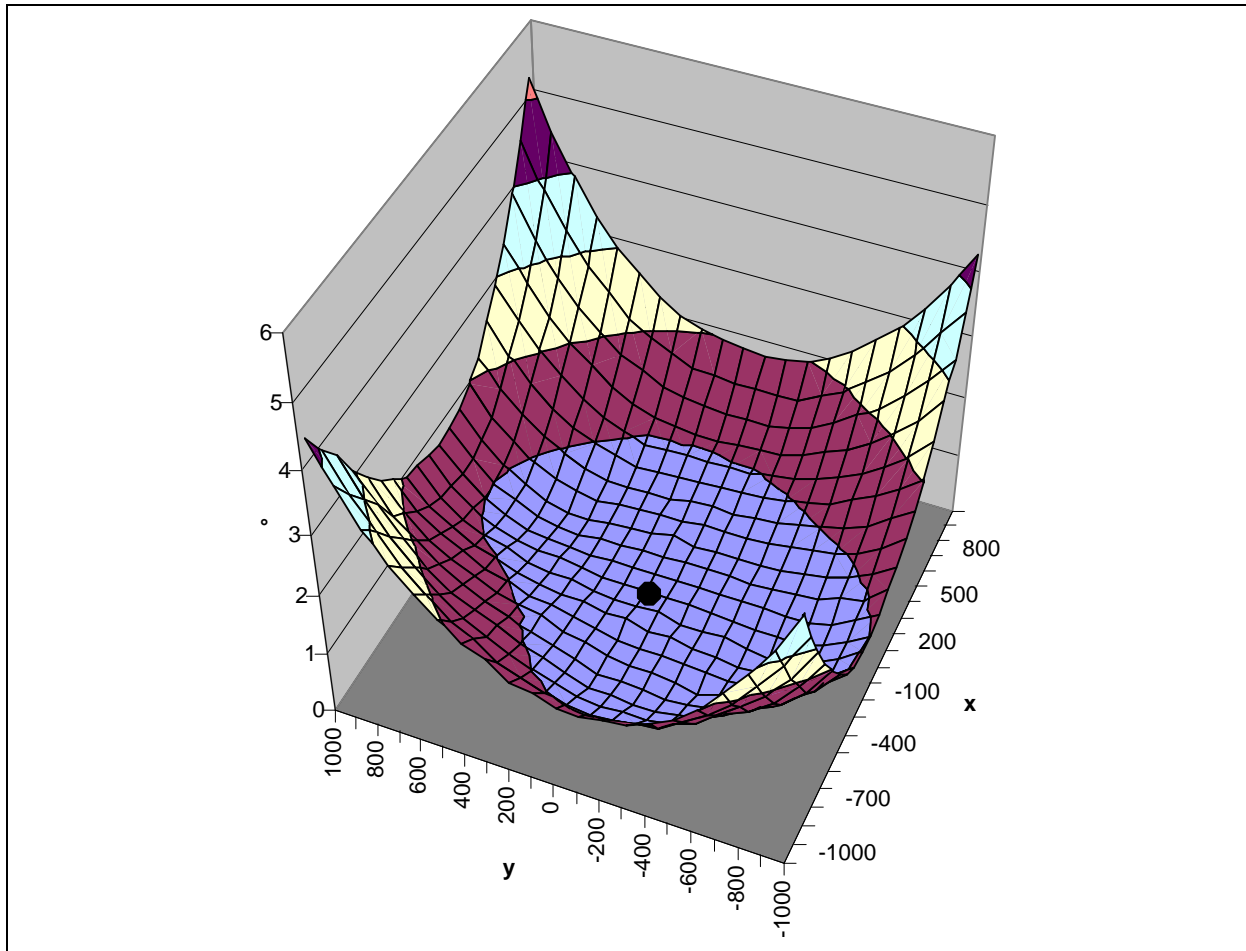
Misalignment of the magnet further reduces the accuracy. Figure 18 shows an example of a 3D-graph displaying non-linearity over XY-misalignment. The center of the square XY-area corresponds to a centered magnet (see dot in the center of the graph). The X- and Y- axis extends to a misalignment of  $\pm 1$ mm in both directions. The total misalignment area of the graph covers a square of 2x2mm (79x79mil) with a step size of 100 $\mu$ m.

For each misalignment step, the measurement as shown in Figure 19 is repeated and the accuracy  $(Err_{max} - Err_{min})/2$  (e.g. 0.25° in Figure 19) is entered as the Z-axis in the 3D-graph.





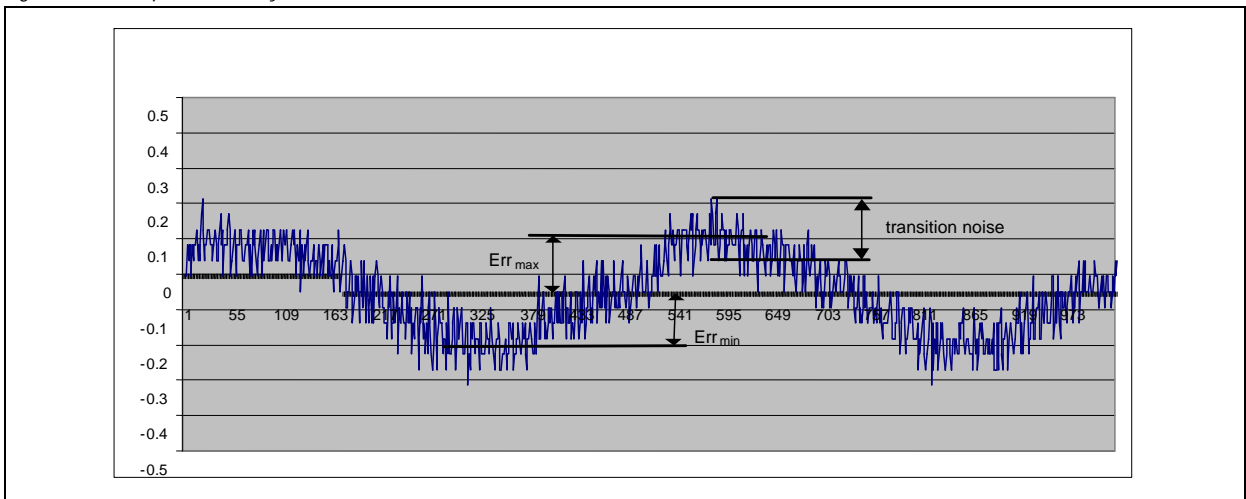
Figure 18. Example of Linearity Error Over XY Misalignment



The maximum non-linearity error on this example is better than  $\pm 1$  degree (inner circle) over a misalignment radius of  $\sim 0.7$ mm. For volume production, the placement tolerance of the IC within the package ( $\pm 0.235$ mm) must also be taken into account.

The total nonlinearity error over process tolerances, temperature and a misalignment circle radius of 0.25mm is specified better than  $\pm 1.4$  degrees. The magnet used for this measurement was a cylindrical NdFeB (Bomatec® BMN-35H) magnet with 6mm diameter and 2.5mm in height.

Figure 19. Example of Linearity Error Over 360°





### 9.6.2 Transition Noise

Transition noise is defined as the jitter in the transition between two steps. Due to the nature of the measurement principle (Hall sensors + Preamplifier + ADC), there is always a certain degree of noise involved. This transition noise voltage results in an angular transition noise at the outputs. It is specified as 0.06 degrees rms (1 sigma)x1.

This is the repeatability of an indicated angle at a given mechanical position. The transition noise has different implications on the type of output that is used:

- **PWM interface:** If the PWM interface is used as an analog output by adding a low pass filter, the transition noise can be reduced by lowering the cutoff frequency of the filter. If the PWM interface is used as a digital interface with a counter at the receiving side, the transition noise can be further reduced by averaging of readings.
- **Incremental mode:** In incremental mode, the transition noise influences the period, width and phase shift of the output signals A, B and Index. However, the algorithm used to generate the incremental outputs guarantees no missing or additional pulses even at high speeds (up to 15,000 rpm and higher).

**Note:** Statistically, 1 sigma represents 68.27% of readings and 3 sigma represents 99.73% of readings.

### 9.6.3 High Speed Operation

- **Sampling Rate:** The AS5045B samples the angular value at a rate of 10.42k samples per second. Consequently, the absolute outputs are updated each 96µs. At a stationary position of the magnet, the sampling rate creates no additional error.
- **Absolute Mode:** At a sampling rate of 10.4kHz, the number of samples (n) per turn for a magnet rotating at high speed can be calculated by

$$n = \frac{60}{rpm \cdot 96\mu s} \quad (EQ 3)$$

The upper speed limit is ~30,000 rpm. The only restriction at high speed is that there will be fewer samples per revolution as the speed increases (see Table 7). Regardless of the rotational speed, the absolute angular value is always sampled at the highest resolution of 12-bit.

- **Incremental Mode:** Incremental encoders are usually required to produce no missing pulses up to several thousand rpm. Therefore, the AS5045B has a built-in interpolator, which ensures that there are no missing pulses at the incremental outputs for rotational speeds of up to 15,000 rpm, even at the highest resolution of 12 bits (4096 pulses per revolution).

### 9.6.4 Propagation Delays

The propagation delay is the delay between the time that the sample is taken until it is converted and available as angular data. This delay is 96µs.

Using the SSI interface for absolute data transmission, an additional delay must be considered, caused by the asynchronous sampling (0 ... 1/ fsample) and the time it takes the external control unit to read and process the angular data from the chip (maximum clock rate = 1MHz, number of bits per reading = 18).

**Angular Error Caused by Propagation Delay:** A rotating magnet will cause an angular error caused by the output propagation delay. This error increases linearly with speed:

$$e_{sampling} = rpm * 6 * prop.delay \quad (EQ 4)$$

#### Where:

esampling = angular error [°]  
rpm = rotating speed [rpm]  
prop.delay = propagation delay [seconds]

**Note:** Since the propagation delay is known, it can be automatically compensated by the control unit processing the data from the AS5045B.

### 9.6.5 Internal Timing Tolerance

The AS5045B does not require an external ceramic resonator or quartz. All internal clock timings for the AS5045B are generated by an on-chip RC oscillator. This oscillator is factory trimmed to ±5% accuracy at room temperature (±10% over full temperature range). This tolerance influences the ADC sampling rate and the pulse width of the PWM output:

- Absolute output: SSI interface: A new angular value is updated every 96µs (typ).
- PWM output: A new angular value is updated every 96µs (typ). The PWM pulse timings  $T_{on}$  and  $T_{off}$  also have the same tolerance as the internal oscillator. If only the PWM pulse width  $T_{on}$  is used to measure the angle, the resulting value also has this timing tolerance. However, this tolerance can be cancelled by measuring both  $T_{on}$  and  $T_{off}$  and calculating the angle from the duty cycle (see Pulse Width Mod-



ulation (PWM) Output on page 15)

### 9.6.6 Temperature

**Magnetic Temperature Coefficient.** One of the major benefits of the AS5045B compared to linear Hall sensors is that it is much less sensitive to temperature. While linear Hall sensors require a compensation of the magnet's temperature coefficients, the AS5045B automatically compensates for the varying magnetic field strength over temperature. The magnet's temperature drift does not need to be considered, as the AS5045B operates with magnetic field strengths from  $\pm 45 \dots \pm 75$  mT.

**Example:** A NdFeB magnet has a field strength of 75 mT @  $-40^\circ\text{C}$  and a temperature coefficient of  $-0.12\%$  per Kelvin. The temperature change is from  $-40^\circ$  to  $+125^\circ = 165\text{K}$ . The magnetic field change is:  $165 \times -0.12\% = -19.8\%$ , which corresponds to 75 mT at  $-40^\circ\text{C}$  and 60 mT at  $125^\circ\text{C}$ .

The AS5045B can compensate for this temperature related field strength change automatically, no user adjustment is required.

### 9.6.7 Accuracy over Temperature

The influence of temperature in the absolute accuracy is very low. While the accuracy is less than or equal to  $\pm 0.5^\circ$  at room temperature, it can increase to less than or equal to  $\pm 0.9^\circ$  due to increasing noise at high temperatures.

**Timing Tolerance over Temperature.** The internal RC oscillator is factory trimmed to  $\pm 5\%$ . Over temperature, this tolerance can increase to  $\pm 10\%$ . Generally, the timing tolerance has no influence in the accuracy or resolution of the system, as it is used mainly for internal clock generation.

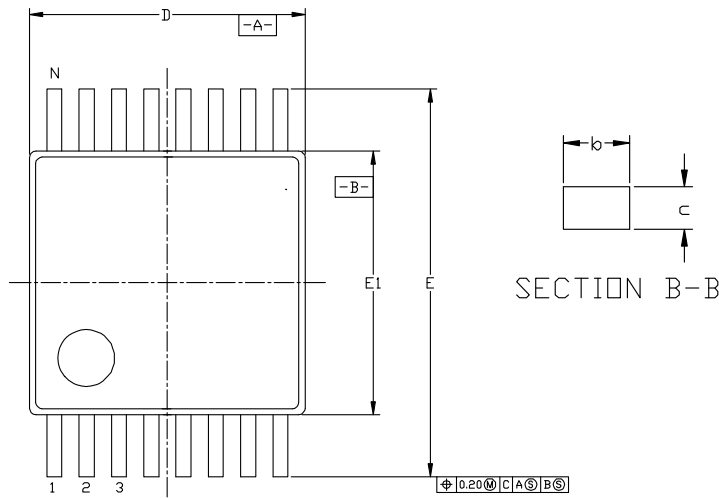
The only concern to the user is the width of the PWM output pulse, which relates directly to the timing tolerance of the internal oscillator. This influence however can be cancelled by measuring the complete PWM duty cycle instead of just the PWM pulse.



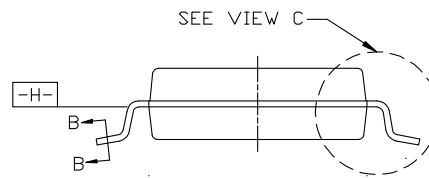
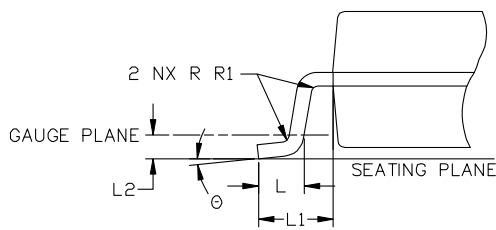
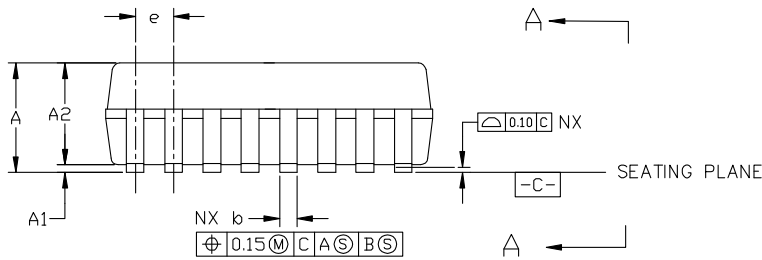
# 10 Package Drawings and Markings

The device is available in SSOP 16 (5.3mm x 6.2mm).

Figure 20. Package Drawings and Dimensions



| Symbol   | Min  | Nom      | Max  |
|----------|------|----------|------|
| A        | 1.73 | 1.86     | 1.99 |
| A1       | 0.05 | 0.13     | 0.21 |
| A2       | 1.68 | 1.73     | 1.78 |
| b        | 0.22 | 0.315    | 0.38 |
| c        | 0.09 | 0.17     | 0.25 |
| D        | 5.90 | 6.20     | 6.50 |
| E        | 7.40 | 7.80     | 8.20 |
| E1       | 5.00 | 5.30     | 5.60 |
| e        | -    | 0.65 BSC | -    |
| L        | 0.55 | 0.75     | 0.95 |
| L1       | -    | 1.25 REF | -    |
| L2       | -    | 0.25 BSC | -    |
| R        | 0.09 | -        | -    |
| $\Theta$ | 0°   | 4°       | 8°   |
| N        | 16   |          |      |



VIEW C

VIEW A-A

**Notes:**

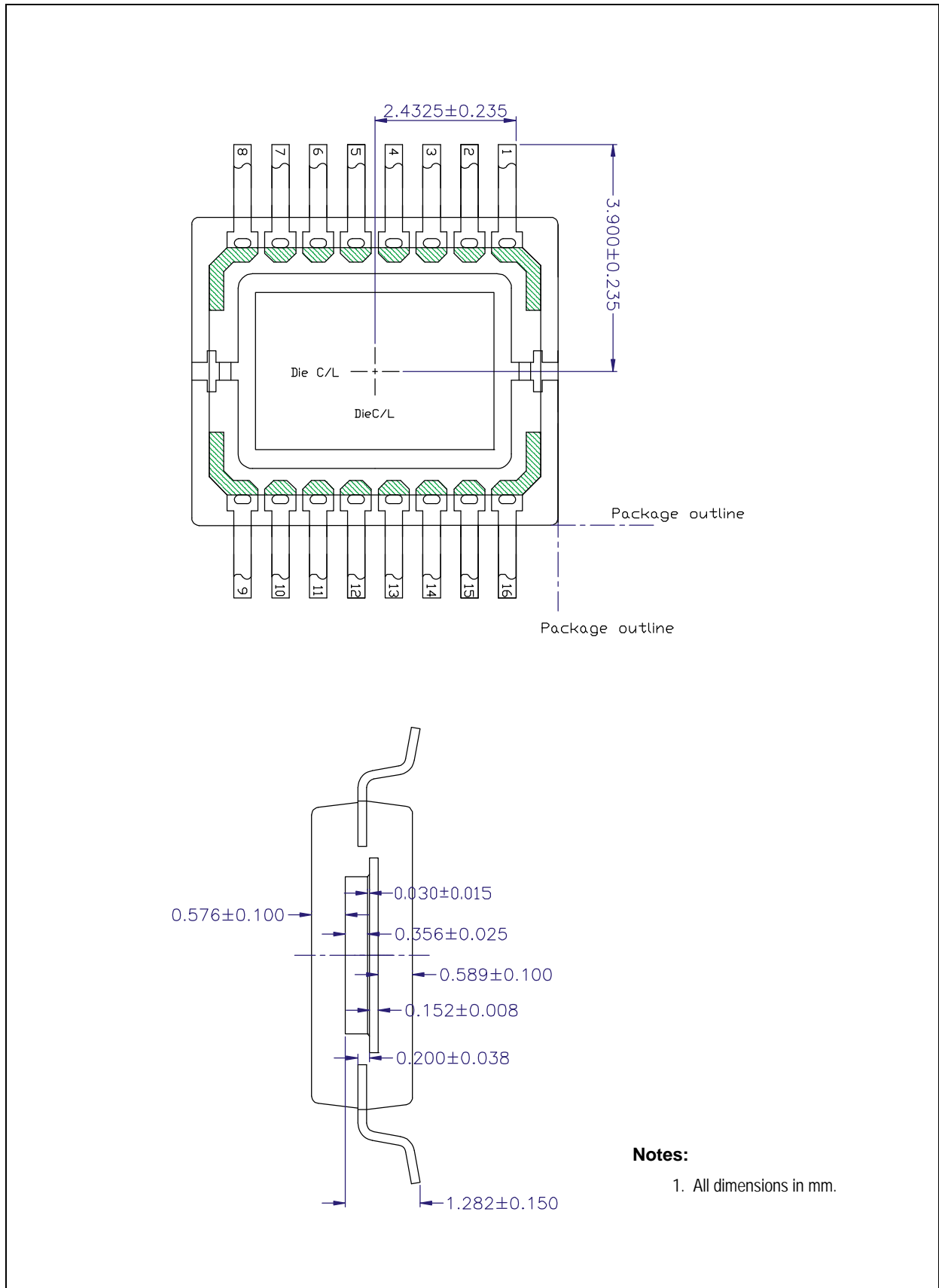
1. Dimensions and tolerancing conform to ASME Y14.5M-1994.
2. All dimensions are in millimeters. Angles are in degrees.

Marking: YYWWMZZ.

| YY  | WW                 | M                | ZZ                         |
|---|--------------------|------------------|----------------------------|
| Last two digits of the manufacturing year | Manufacturing week | Plant identifier | Assembly traceability code |



Figure 21. Vertical Cross Section of SSOP-16



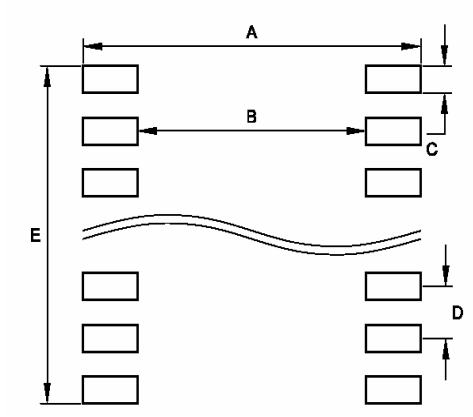
**Notes:**

- 1. All dimensions in mm.



### 10.1 Recommended PCB Footprint

Figure 22. PCB Footprint



| Recommended Footprint Data |      |
|----------------------------|------|
| Symbol                     | mm   |
| A                          | 9.02 |
| B                          | 6.16 |
| C                          | 0.46 |
| D                          | 0.65 |
| E                          | 5.01 |



## Revision History

| Revision | Date          | Owner | Description      |
|----------|---------------|-------|------------------|
| 1.0      | 03 July, 2013 | mub   | Initial Revision |
|          |               |       |                  |
|          |               |       |                  |



## 11 Ordering Information

The devices are available as the standard products shown in [Table 13](#).

*Table 13. Ordering Information*

| Ordering Code | Description                                | Delivery Form   | Package                 |
|---------------|--|-----------------|-------------------------|
| AS5045B-ASST  | Pre-programmed 12-bit incremental (125 °C) | Tape&Reel (13") | SSOP 16 (5.3mm x 6.2mm) |
| AS5045B-ASSM  | Pre-programmed 12-bit incremental (125 °C) | Tape&Reel (7")  |                         |

**Note:** All products are RoHS compliant and ams green.  
Buy our products or get free samples online at [www.ams.com/ICdirect](http://www.ams.com/ICdirect)

Technical Support is available at [www.ams.com/Technical-Support](http://www.ams.com/Technical-Support)

For further information and requests, email us at [sales@ams.com](mailto:sales@ams.com)  
(or) find your local distributor at [www.ams.com/distributor](http://www.ams.com/distributor)





## Copyrights

Copyright © 1997-2013, ams AG, Tobelbaderstrasse 30, 8141 Unterpremstaetten, Austria-Europe. Trademarks Registered ®. All rights reserved. The material herein may not be reproduced, adapted, merged, translated, stored, or used without the prior written consent of the copyright owner.

All products and companies mentioned are trademarks or registered trademarks of their respective companies.

## Disclaimer

Devices sold by ams AG are covered by the warranty and patent indemnification provisions appearing in its Term of Sale. ams AG makes no warranty, express, statutory, implied, or by description regarding the information set forth herein or regarding the freedom of the described devices from patent infringement. ams AG reserves the right to change specifications and prices at any time and without notice. Therefore, prior to designing this product into a system, it is necessary to check with ams AG for current information. This product is intended for use in normal commercial applications. Applications requiring extended temperature range, unusual environmental requirements, or high reliability applications, such as military, medical life-support or life-sustaining equipment are specifically not recommended without additional processing by ams AG for each application. For shipments of less than 100 parts the manufacturing flow might show deviations from the standard production flow, such as test flow or test location.

The information furnished here by ams AG is believed to be correct and accurate. However, ams AG shall not be liable to recipient or any third party for any damages, including but not limited to personal injury, property damage, loss of profits, loss of use, interruption of business or indirect, special, incidental or consequential damages, of any kind, in connection with or arising out of the furnishing, performance or use of the technical data herein. No obligation or liability to recipient or any third party shall arise or flow out of ams AG rendering of technical or other services.



## Contact Information

### Headquarters

ams AG  
Tobelbaderstrasse 30  
A-8141 Unterpremstaetten, Austria

Tel : +43 (0) 3136 500 0  
Fax : +43 (0) 3136 525 01

For Sales Offices, Distributors and Representatives, please visit:

<http://www.ams.com/contact>

# Mouser Electronics

Authorized Distributor

Click to View Pricing, Inventory, Delivery & Lifecycle Information:

[ams:](#)

[AS5045B-ASST](#)