

● 规格

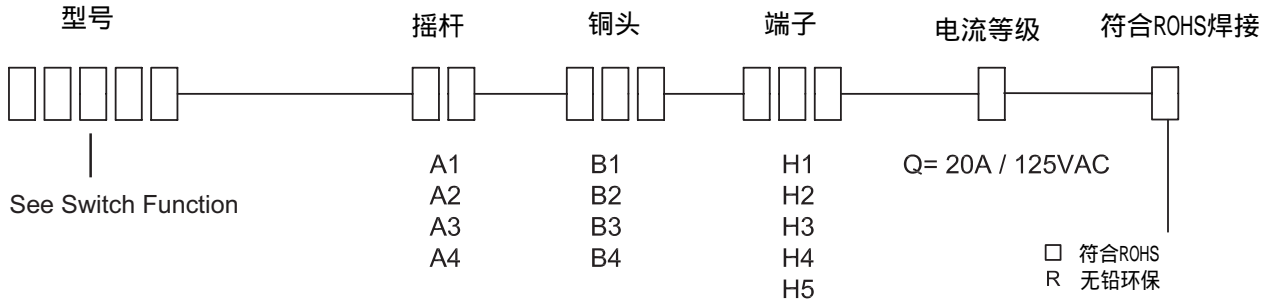
等级: 15A 125VAC/20A 125/150VAC

绝缘电阻: DC 500V 2000M Ω Min.

接触电阻: DC2-4V 1A 20m Ω Max.

耐电压: AC 1500V Min.

编码原则



※ Standard: A3 - B2 - H2

电极 和 电路

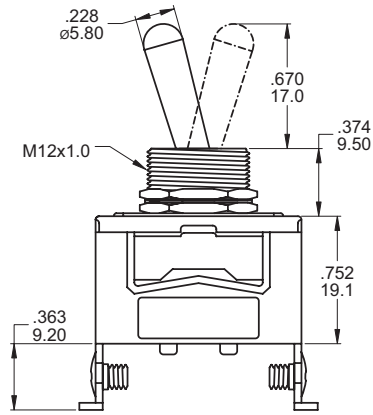
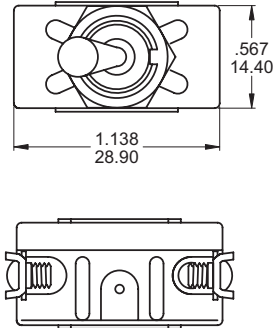
电极	UL	型号	开关功能			连接的端子及其示意图		
			POS.1	POS.2	POS.3	POS.1	POS.2	POS.3
SP	✓	703	OFF	NONE	ON	OPEN	N/A	1-3
		703A	OFF	NONE	(ON)			
	✓	704-1	ON	NONE	ON	2-3 	OPEN	2-1
		704-1A	(ON)	NONE	ON			
	✓	704-2	ON	OFF	ON		OPEN	
		704-2A	(ON)	OFF	ON			
	704-2B	(ON)	OFF	(ON)				
DP	✓	705	OFF	NONE	ON	OPEN	N/A	1-3,4-6
		705A	OFF	NONE	(ON)			
	✓	706-1	ON	NONE	ON	2-3,5-6 	OPEN	2-1,5-4
		706-1A	(ON)	NONE	ON			
	✓	706-2	ON	OFF	ON		OPEN	
		706-2A	(ON)	OFF	ON			
	706-2B	(ON)	OFF	(ON)				
3P		708-1	ON	NONE	ON	2-3,5-6,8-9	OPEN	1-2,4-5,7-8
		708-1A	ON	NONE	(ON)			
		708-2	ON	OFF	ON			
		708-2A	ON	OFF	(ON)			
		708-2B	(ON)	OFF	(ON)			
4P		709-1	ON	NONE	ON	2-3,5-6 8-9,11-12	OPEN	1-2,4-5 7-8,10-11
		709-1A	ON	NONE	(ON)			
		709-2	ON	OFF	ON			
		709-2A	ON	OFF	(ON)			
		709-2B	(ON)	OFF	(ON)			
		709-8P	OFF	NONE	ON	OPEN	N/A	1-3,4-6 7-9,10-12
		709-8PA	OFF	NONE	(ON)			

(ON)=瞬间式

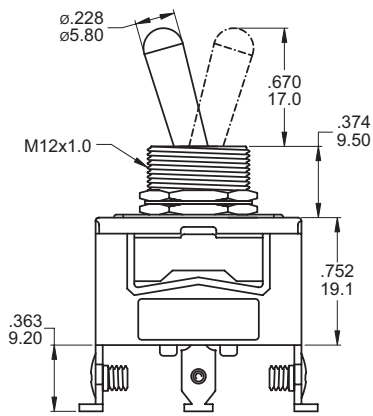
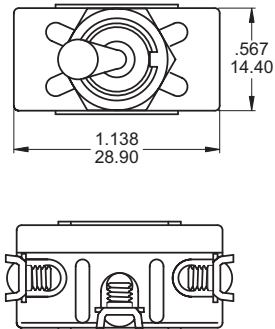
主要开关举例



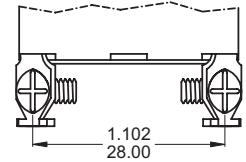
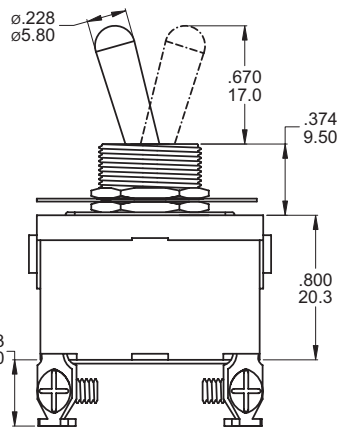
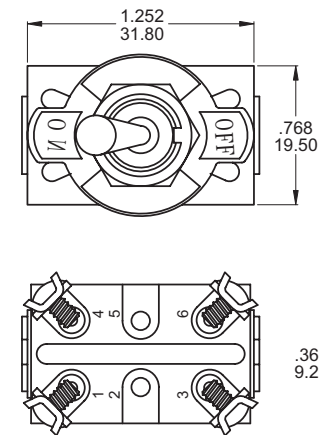
SPST
703-A3-B2-H2



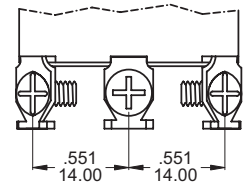
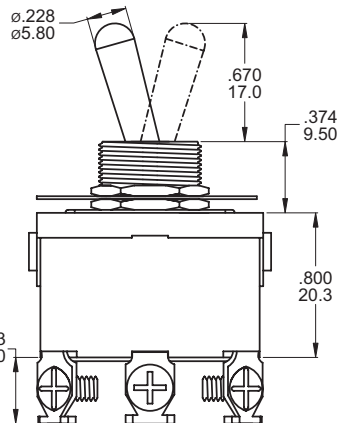
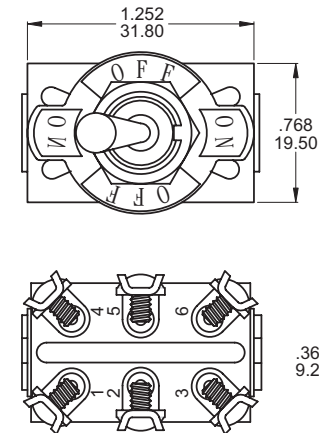
SPDT
704-A3-B2-H2



DPST
705-A3-B2-H2

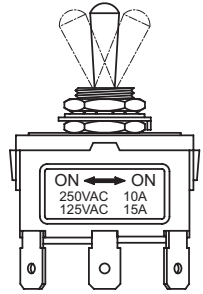
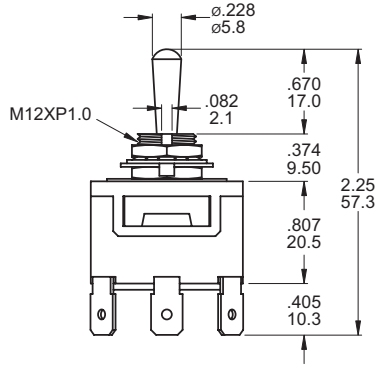
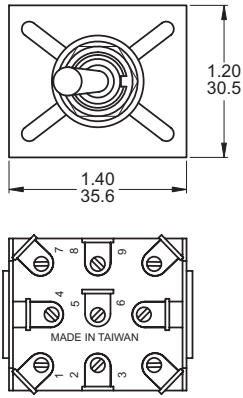


DPDT
706-1-A3-B2-H2

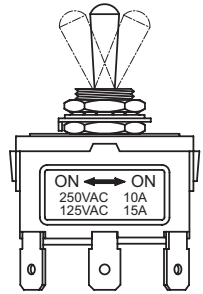
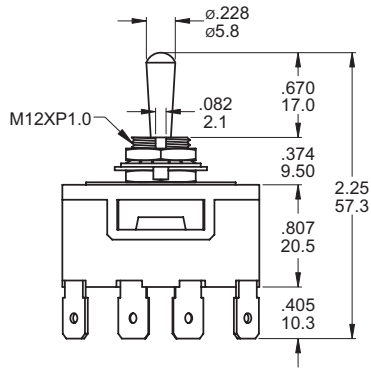
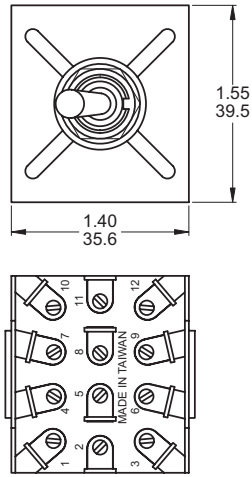




SPST
708-1-A3-B2-H5

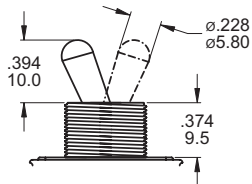


SPDT
709-A3-B2-H5

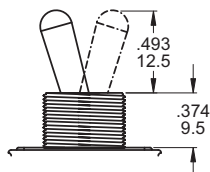


摇杆选择

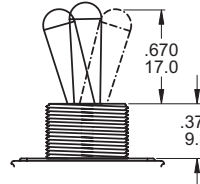
A1



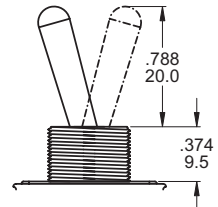
A2



A3

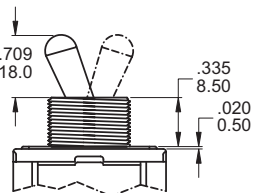


A4

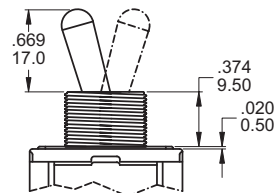


铜头选择

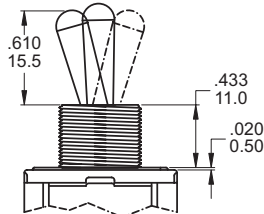
B1



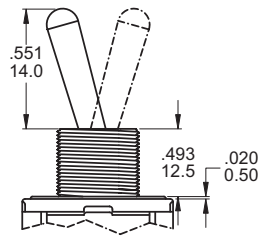
B2



B3

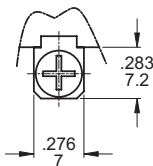


B4

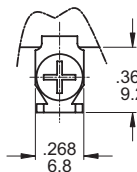


端子选择

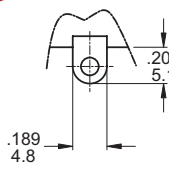
H1



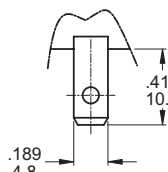
H2



H3



H4



H5

