

SD CARD

NOTES:

1.MATERIAL:

HOUSING: HIGH TEMPERATURE THERMOPLASTIC
UL94V_0,COLOR:BLACK.

CONTACT: COPPER ALLOYS.

COVER: COPPER ALLOYS OR STEEL.

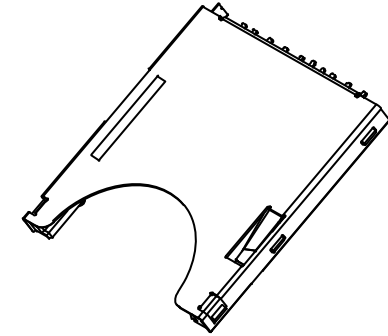
2.PLATING:

UNDERPLATE: NICKEL.

CONTACT AREA: GOLD OVER NICKEL.

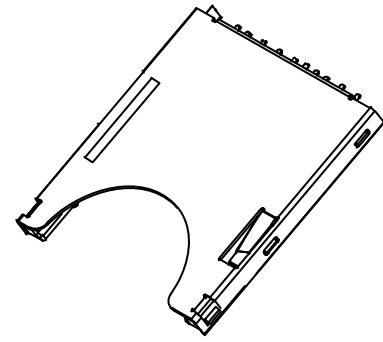
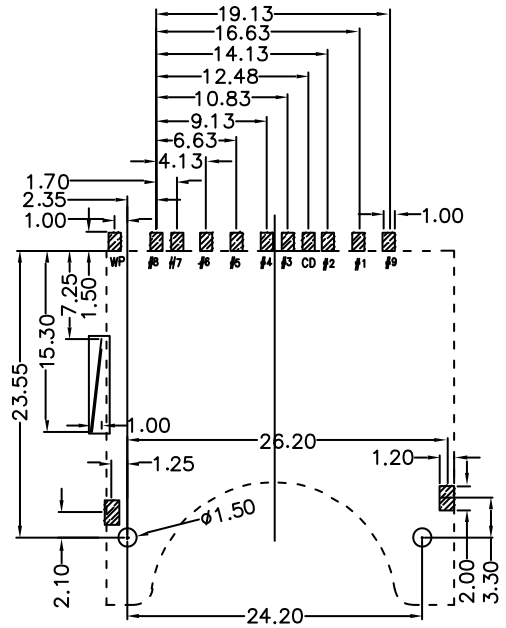
SOLDER AREA: TIN OVER NICKEL.

3.MULTIMEDIA CARD COMPATIBLE

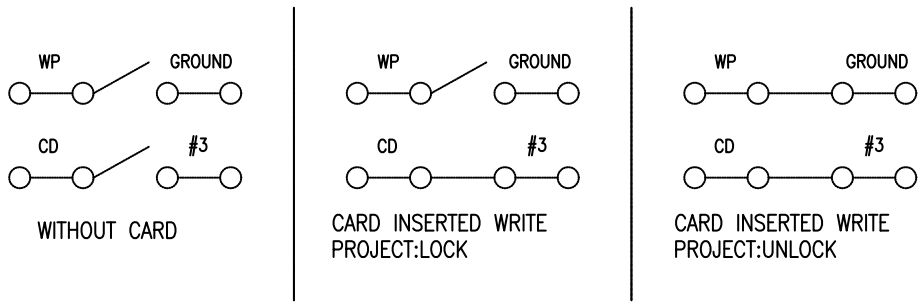


UNLESS OTHERWISE SPECIFIED TOLERANCE				东莞市讯普电子科技有限公司 www.xunpudianzi.com					
UNIT:	DECIMAL	LINEAR	ANGLES			DRAWN NAME: SD CONNECTOR			
mm	X.	±0.50	±5°					DRAWN: Fros 2014/12/12 CHECKED: Ron 2014/12/12 APPROVED: Albert 2014/12/12 PRODUCT NO. SD-106M	
	X.X	±0.25	±3°						
	X.XX	±0.12	±1°						
DRAWN		Fros	2014/12/12	SHEET 1/3 SIZE A4					
CHECKED		Ron	2014/12/12						
APPROVED		Albert	2014/12/12						

NO.	DESCRIPTION	DRAWN	DATE
	SEE SHEE 1		

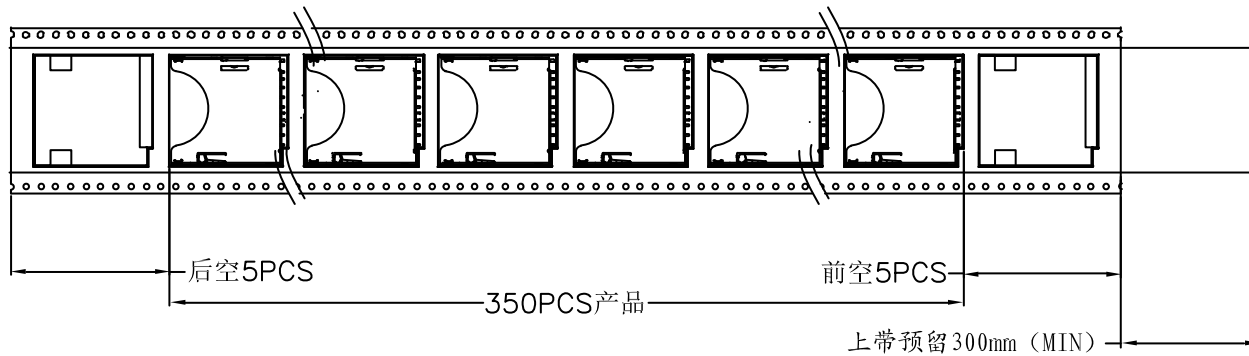
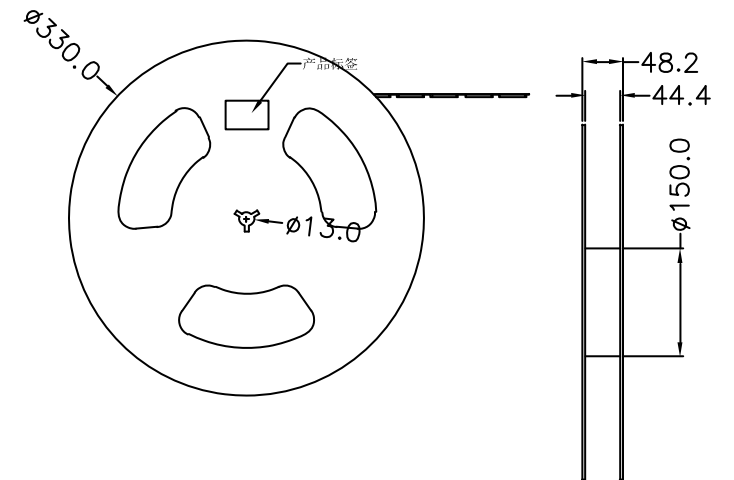
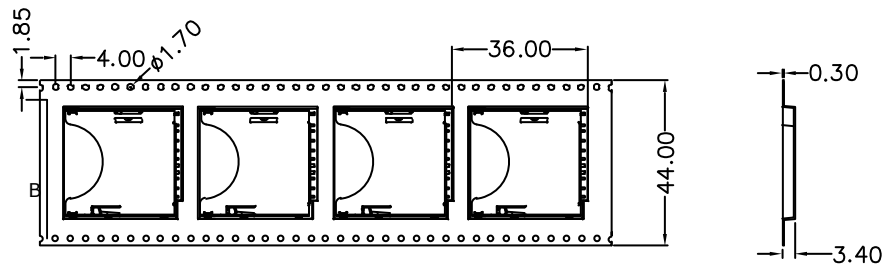


SD CARD PIN DESIGN			
PIN NO.	NAME	TYPE	DESCRIPTION
#1	CD/DAT3	I/O/PP	CARD DETECT/DATA LINE(BIT3)
#2	CMD	PP	COMMAND/RESPONSE
#3	VSS1	S	SUPPLY VOLTAGE GROUND
#4	VDD	S	SUPPLY VOLTAGE
#5	CLK	I	CLOCK
#6	VSS2	S	SUPPLY VOLTAGE GROUND
#7	DAT0	I/O/PP	DATA LINE(BIT 0)
#8	DAT1	I/O/PP	DATA LINE(BIT 1)
#9	DAT2	I/O/PP	DATA LINE(BIT 2)



UNLESS OTHERWISE SPECIFIED TOLERANCE				东莞市讯普电子科技有限公司 www.xunpudianzi.com
UNIT:	DECIMAL	LINEAR	ANGLES	
mm	X.	±0.50	±5°	
	X.X	±0.25	±3°	
	X.XX	±0.12	±1°	
DRAWN	Fros	2014/12/12	DRAWN NAME:	
CHECKED	Ron	2014/12/12	SD CONNECTOR	
APPROVED	Albert	2014/12/12	PRODUCT NO.	SD-106M
SHEET 2/3		SIZE A4		

NO.	DESCRIPTION	DRAWN	DATE
	SEE SHEE 1		

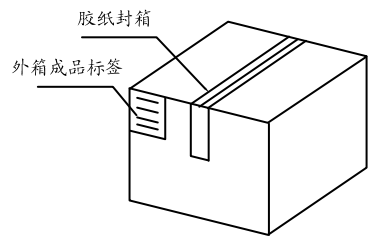


1. 材质要求:

- 1.1 纸箱材质要求为K-K; 外形尺寸为34*34*22CM (1.4Kset)。
- 1.2 卷盘的材质为PS; 卷盘的外形尺寸为 $\phi 330*48.2$;
- 1.3 卷带的材质为PS; 卷带的外形尺寸为12960*44.0*3.4mm

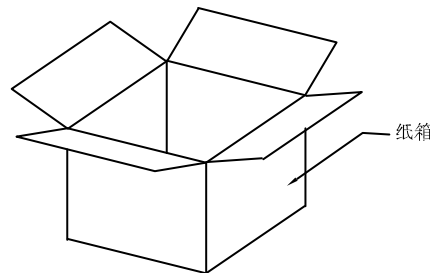
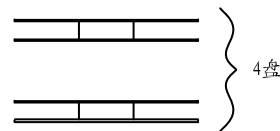
2. 包装要求:

- 2.1 将卷带放入包装机后, 前空5PCS, 后放产品350PCS, 再后空5PCS; 上带留300MM长度。
- 2.2 将包装好的产品从包装机上取下并包装好;
- 2.3 把累叠好的4盘 (1.4Kset/箱) 粘贴好标签放入纸箱。
- 2.4 把包装好的成品打包封箱, 并在纸箱外贴上标签



纸箱规格1: 340*340*210

NO. 4



NO. 3

UNLESS OTHERWISE SPECIFIED TOLERANCE				东莞市讯普电子科技有限公司 www.xunpudianzi.com	
UNIT:	DECIMAL	LINEAR	ANGLES		
mm	X.	± 0.50	$\pm 5^\circ$		
	X.X	± 0.25	$\pm 3^\circ$		
	X.XX	± 0.12	$\pm 1^\circ$		
DRAWN	Fros	2014/12/12	DRAWN NAME:		
CHECKED	Ron	2014/12/12	SD CONNECTOR		
APPROVED	Albert	2014/12/12	PRODUCT NO.	SD-106M	
		SHEET 3/3	SIZE A4		