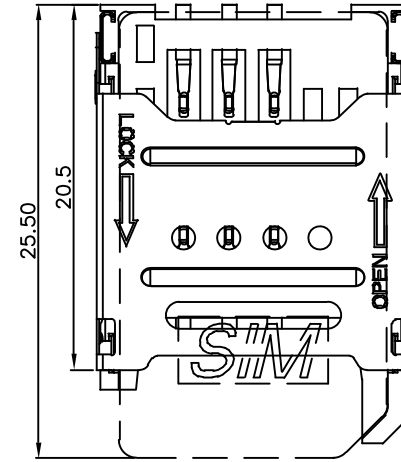
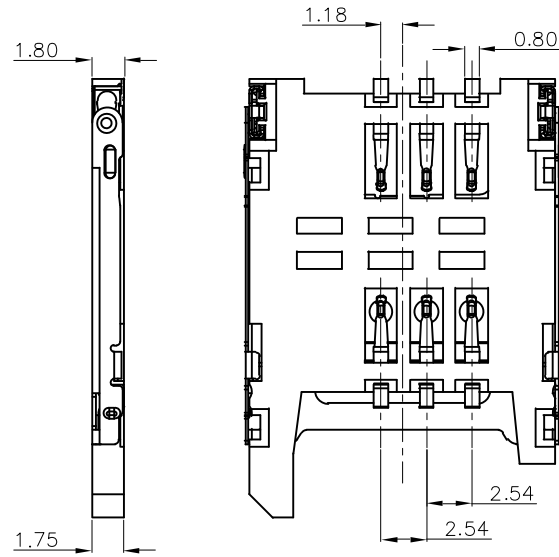
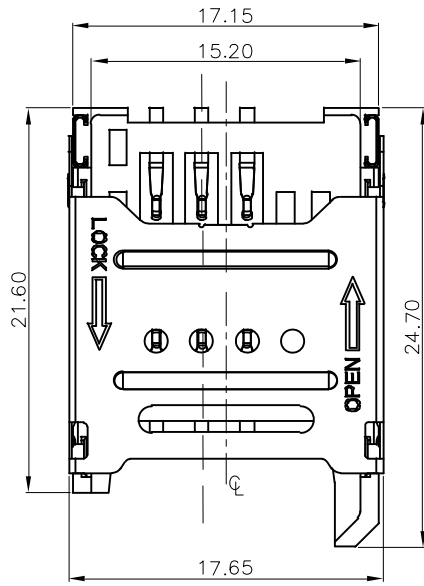
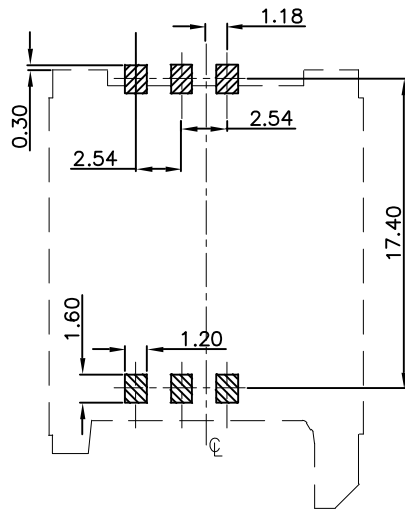


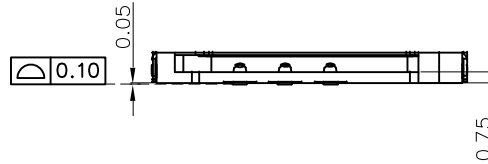
CAD GENERATED DRAWING. DON'T CHANGE BY HAND.



STATE OF LOCK



PCB LAYOUT
T±0.05



UNLESS OTHERWISE SPECIFIED TOLERANCE				东莞市讯普电子科技有限公司	
UNIT:	DECIMAL	LINEAR	ANGLES		
mm	X.	±0.50	±5°	www.xunpudianzi.com	
	X.X	±0.25	±3°		
	X.XX	±0.12	±1°		
DRAWN	Fros	2014/12/12	DRAWN NAME:		
CHECKED	Ron	2014/12/12	SIM CONNECTOR		
APPROVED	Albert	2014/12/12	PRODUCT NO.	SIM-106	
SCALE 1.1		SHEET 1/1	SIZE A4		