

EMC/EMI Filter for PV Inverters



- Reduces conducted emissions towards the solar panel
- Reduces the probability of EMI radiation off the solar panel
- Helps to prevent pre-mature panel aging because of HF leakage currents
- Helps to meet international EMC regulations for the entire PV system
- Most compact standard solution in the industry, optionally available without capacitors to ground (B types)
- New: up to 2300 A

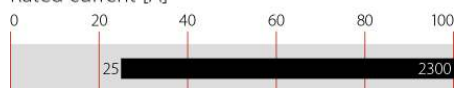


Performance indicators

Attenuation performance



Rated current [A]



Technical specifications

Maximum continuous operating voltage	Max. 1200 VDC
Rated currents	25 to 2300 A @ 55 °C
High potential test voltage	P → E 3600 VDC for 2 sec P → P 3000 VDC for 2 sec
Protection category	IP20 (25 to 150 A types); IP00 (250 to 2300 A types)
Overload capability	4x rated current at switch on, 1.5x rated current for 1 minute, once per hour
Temperature range (operation and storage)	-40 °C to +100 °C (40/100/21)
Design corresponding to	UL 1283, CSA 22.2 No. 8 1986, IEC/EN 60939
Flammability corresponding to	UL 94 V-2 or better
MTBF @ 55°C/1200 V (Mil-HB-217F)	min. 223,000 hours
Operating frequency	DC

Approvals



(600 VDC) (850 VDC)

FN 2200 are the most compact dedicated DC filters for PV inverters in the industry and therefore support the integration in the ever shrinking frame sizes of today's power electronics. All FN 2200 come in unsymmetrical housings, which help to prevent inverse installation and wrong electrical connection. Along with grid-side installed Schaffner AC EMC/EMI filters, FN 2200 are key to meet the stringent international standards for electromagnetic compatibility (EMC) like EN 61000-6-3 and -6-4 and help to ensure a reliable and fault-free operation of the entire PV system. FN 2200 are designed for very low power loss, to support overall PV system efficiency.

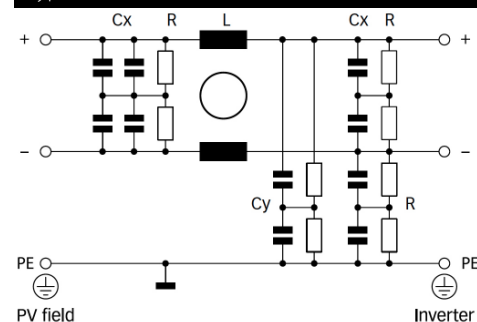
Features and benefits

FN 2200 range of standard EMC/EMI filters is based on Schaffner's years of experience in custom filter design for the global photovoltaic (PV) inverter industry. Installed between the PV inverter and the solar panel, FN 2200 DC filters help to control conducted emissions on the panel side of the system and therefore significantly reduce the potential for high-frequency (HF) interference radiation off the panel. The filter also protects the solar panel from HF stray and leakage currents which can cause pre-mature aging in the PV modules.

Typical applications

FN 2200 are primarily designed for PV inverters. However, they can potentially also be used in other DC applications within published specifications, like UPS, DC motor drives, or DC quick chargers.

Typical electrical schematic



Filter selection table

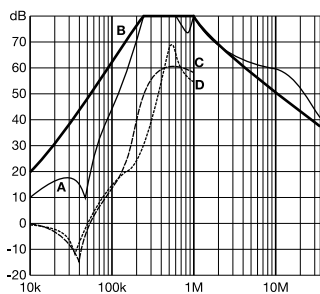
Filter	Rated current @ 55 °C (40 °C)	Typical inverter AC power rating*	Filter efficiency @ 25 °C/DC	Power loss @ 25 °C/DC	Input/Output connections	Weight [kg]
	[A]	[kW]	[%]	[W]	 	
FN 2200-25-33	25 (28)	10	> 99.9	8	-33	0.9
FN 2200-50-34	50 (57)	20	> 99.9	17	-34	1.6
FN 2200-75-34	75 (86)	30	> 99.9	18	-34	1.7
FN 2200-100-35	100 (115)	40	> 99.9	22	-35	2.7
FN 2200-150-40	150 (173)	60	> 99.9	31	-40	4.9
FN 2200-250-99	250 (288)	100	> 99.9	10	-99	5.0
FN 2200-400-99	400 (460)	150	> 99.9	16	-99	6.1
FN 2200-600-99	600 (690)	250	> 99.9	29	-99	6.5
FN 2200-800-99	800 (920)	350	> 99.9	26	-99	9.3
FN 2200-1000-99	1000 (1150)	400	> 99.9	40	-99	9.4
FN 2200-1500-99	1500 (1600)	500	> 99.9	45	-99	14.6
FN 2200-2300-99	2300 (2500)	800/1000	> 99.9	400	-99	25.0
FN 2200B-25-33	25 (28)	10	> 99.9	8	-33	0.9
FN 2200B-50-34	50 (57)	20	> 99.9	17	-34	1.6
FN 2200B-75-34	75 (86)	30	> 99.9	18	-34	1.7
FN 2200B-100-35	100 (115)	40	> 99.9	22	-35	2.7
FN 2200B-150-40	150 (173)	60	> 99.9	31	-40	4.9
FN 2200B-250-99	250 (288)	100	> 99.9	10	-99	5.0
FN 2200B-400-99	400 (460)	150	> 99.9	16	-99	6.1
FN 2200B-600-99	600 (690)	250	> 99.9	29	-99	6.5
FN 2200B-800-99	800 (920)	350	> 99.9	26	-99	9.3
FN 2200B-1000-99	1000 (1150)	400	> 99.9	40	-99	9.4
FN 2200B-1500-99	1500 (1600)	500	> 99.9	45	-99	14.6
FN 2200B-2300-99	2300 (2500)	800/1000	> 99.9	84	-99	25.0

* Based on rated DC current of typical 3-phase PV inverters with 900 VDC input. Note: depending upon manufacturer and model, DC currents for a given PV inverter power can differ significantly. Filters with higher current ratings for large central inverters up to the MW range are available upon request.

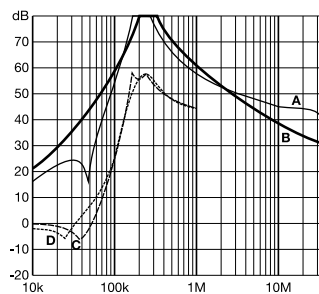
Typical filter attenuation

Per CISPR 17; A = 50 Ω/50 Ω sym; B = 50 Ω/50 Ω asym; C = 0.1 Ω/100 Ω sym; D = 100 Ω/0.1 Ω sym

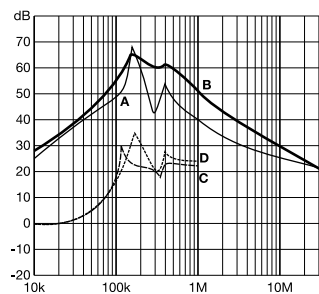
25 to 75 A types



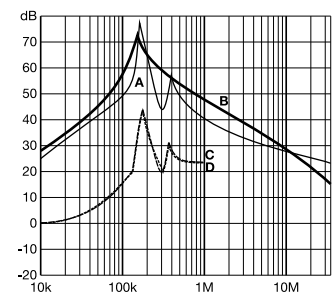
100 to 150 A types



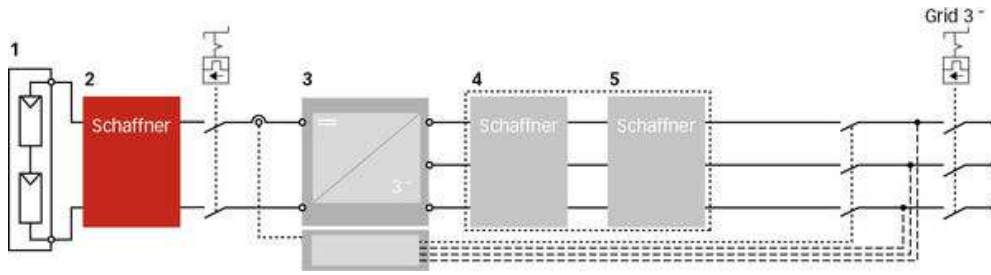
250 A types



400 to 2300 A types

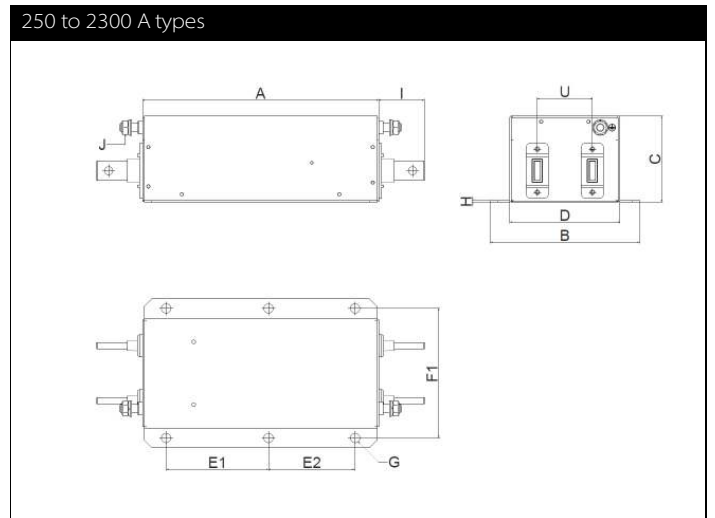
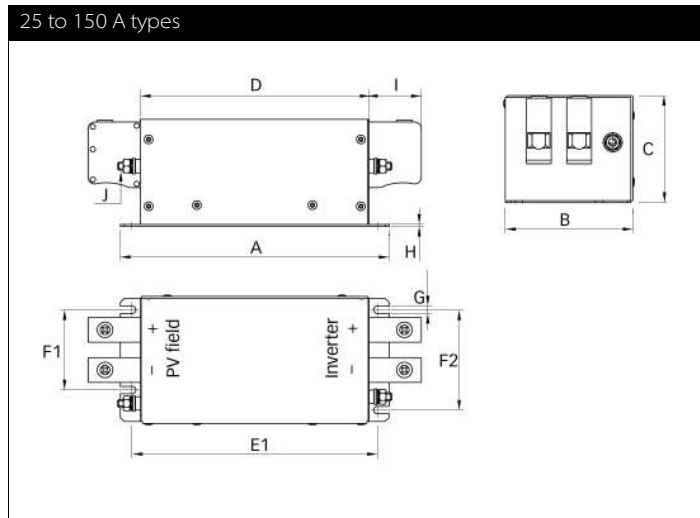


Typical block schematic



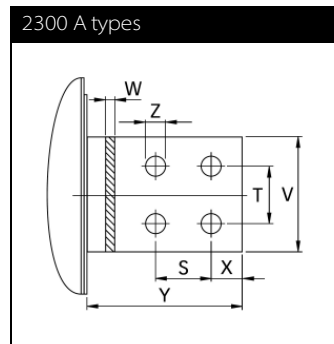
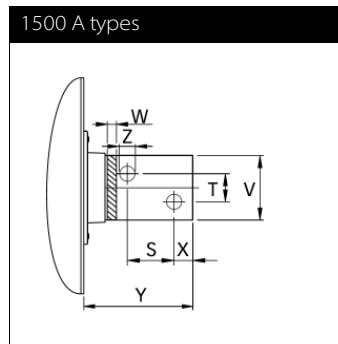
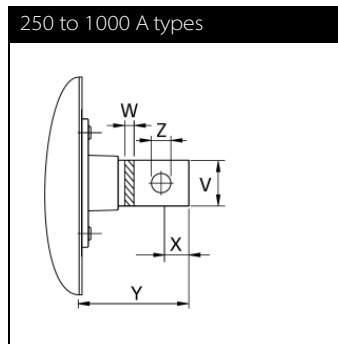
- 1 PV modules
- 2 Schaffner FN 2200
- 3 Central Inverter
- 4 Schaffner magnetic components
- 5 Schaffner AC EMC/EMI filter

Mechanical data



Note: all FN 2200 provide unsymmetrical mounting hole patterns to prevent inverse filter installation in the field. (Dimensions E1 E2 and F1/F2)

Busbar connections







Dimensions

	25 A	50 A	75 A	100 A	150 A	250 A	400 A	600 A	800 A	1000 A	1500 A	2300 A
A	170	200	200	220	250	300	300	300	300	300	300	400
B	80	95	95	125	140	180	190	190	200	200	200	250
C	65	80	80	95	115	110	110	110	140	140	150	180
D	140	170	170	190	220	130	140	140	150	150	150	195
E1	152.5	182.5	182.5	202.5	232.5	130	130	130	130	130	130	190
E2						110	110	110	110	110	110	150
F1	45	60	60	80	100	155	165	165	175	175	175	225
F2	60	75	75	100	120							
G	5.5	5.5	5.5	5.5	5.5	Ø 12	Ø 12	Ø 12	Ø 12	Ø 12	Ø 12	Ø 12
H	1	1.5	1.5	1.5	2	2	2	2	3	3	3	3
I	25	39	39	45	51	58	58	58	65	65	110	100
J	M5	M6	M6	M8	M10	M10	M10	M10	M12	M12	M12	M16
S											43	35
T											26	35
U						70	70	70	70	70	70	100
V						20	25	25	40	40	60	70
W						5	6	8	8	8	10	15
X						15	15	15	20	20	17	20
Y						58	58	58	65	65	110	100
Z						Ø 9	Ø 10.5	Ø 10.5	Ø 14	Ø 14	Ø 14	Ø 14

All dimensions in mm; 1 inch = 25.4 mm
Tolerances according: ISO 2768-m / EN 22768-m

Filter input/output connector cross sections

	-33	-34	-35	-40
				
Solid wire	16 mm ²	35 mm ²	50 mm ²	95 mm ²
Flex wire	10 mm ²	25 mm ²	50 mm ²	95 mm ²
AWG type wire	AWG 6	AWG 2	AWG 1/0	AWG 4/0
Recommended torque	1.5-1.8 NM	4.0-4.5 NM	7-8 NM	17-20 NM

Please visit www.schaffner.com to find more details on filter connectors.