

BiCMOS Advanced Phase Shift PWM Controller

FEATURES

- Programmable Output Turn-on Delay
- Adaptive Delay Set
- Bidirectional Oscillator Synchronization
- Capability for Voltage Mode or Current Mode Control
- Programmable Soft Start/Soft Stop and Chip Disable via a Single Pin
- 0% to 100% Duty Cycle Control
- 7MHz Error Amplifier
- Operation to 1MHz
- Low Active Current Consumption (5mA Typical @ 500kHz)
- Very Low Current Consumption During Undervoltage Lock-out (150µA typical)

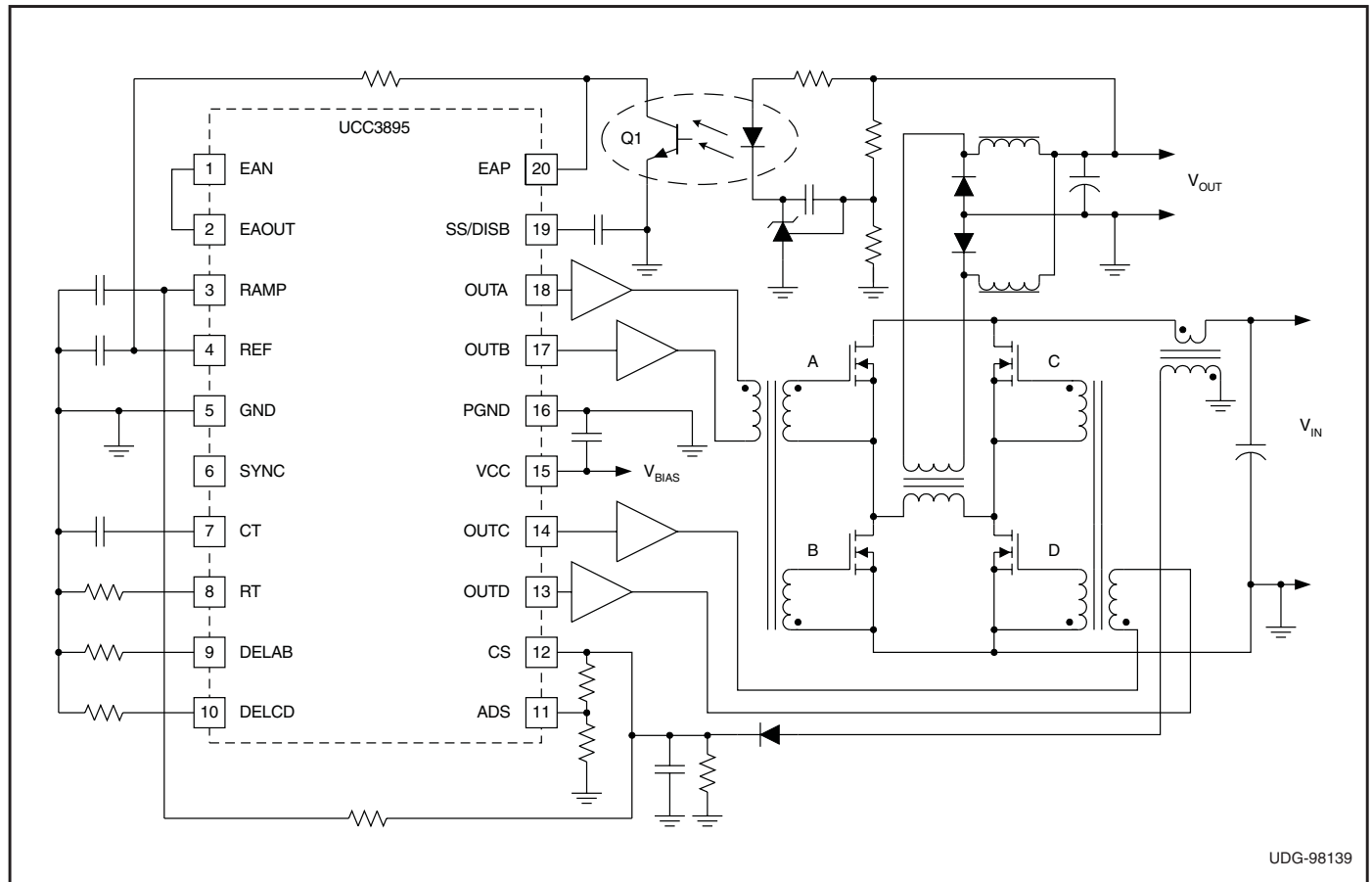
DESCRIPTION

The UCC3895 is a phase shift PWM controller that implements control of a full-bridge power stage by phase shifting the switching of one half-bridge with respect to the other. It allows constant frequency pulse-width modulation in conjunction with resonant zero-voltage switching to provide high efficiency at high frequencies. The part can be used either as a voltage mode or current mode controller.

While the UCC3895 maintains the functionality of the UC3875/6/7/8 family and UC3879, it improves on that controller family with additional features such as enhanced control logic, adaptive delay set, and shutdown capability. Since it is built in BCDMOS, it operates with dramatically less supply current than its bipolar counterparts. The UCC3895 can operate with a maximum clock frequency of 1MHz.

The UCC3895 and UCC2895 are offered in the 20 pin SOIC (DW) package, 20 pin PDIP (N) package, 20 pin TSSOP (PW) package, and 20 pin PLCC (Q). The UCC1895 is offered in the 20 pin CDIP (J) package, and 20 pin CLCC package (L).

SIMPLIFIED APPLICATION DIAGRAM



ABSOLUTE MAXIMUM RATINGS

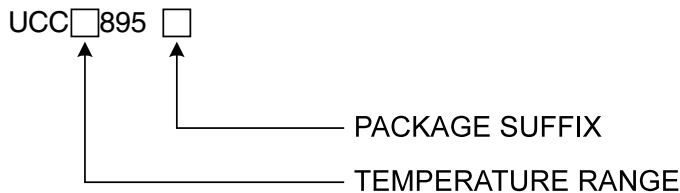
Supply Voltage (IDD < 10mA) 17V
 Supply Current 30mA
 REF current 15mA
 OUT Current 100mA
 Analog inputs
 (EAP, EAN, EAOUT, RAMP,
 SYNC, ADS, CS, SS/DISB) -0.3V to REF+0.3V
 Power Dissipation at TA=+25°C (N Package) 1W
 Power Dissipation at TA=+25°C (D Package) 650mW
 Storage Temperature -65°C to +150°C
 Junction Temperature -55°C to +125°C
 Lead Temperature (soldering, 10 sec) +300°C

Currents are positive into, negative out of the specified terminal. Consult Packaging Section of Databook for thermal limitations and considerations of package.

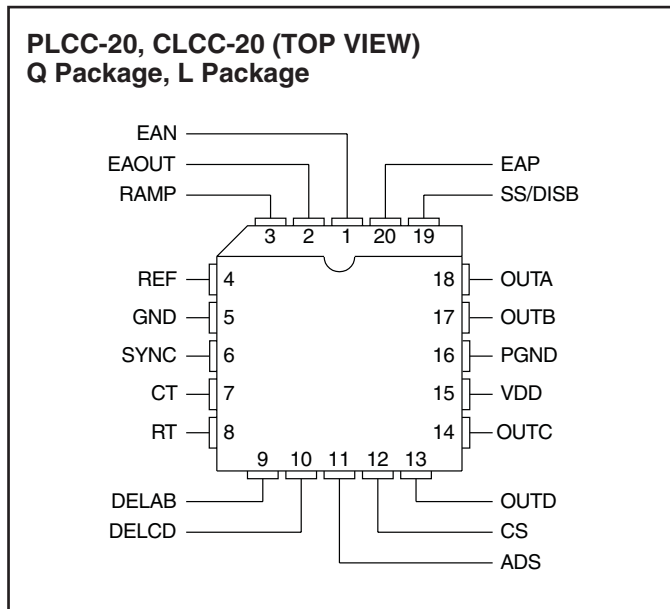
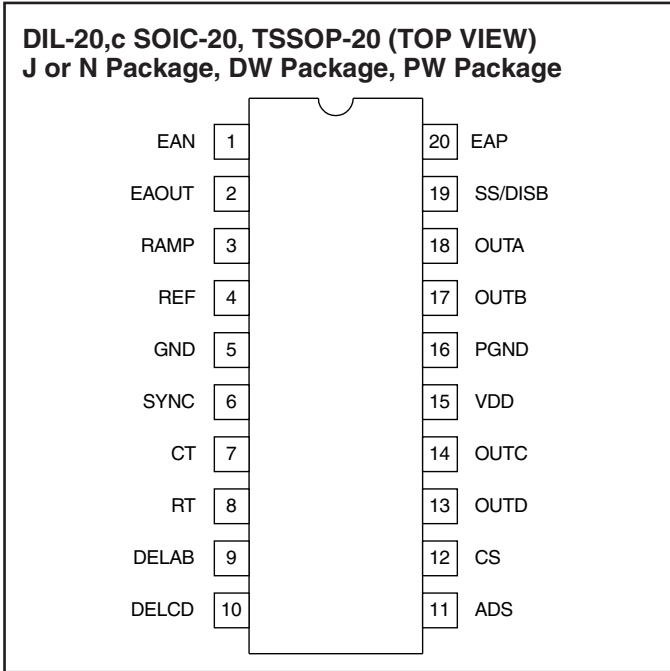
TEMPERATURE & PACKAGE SELECTION TABLE

	TEMPERATURE RANGE	PACKAGE SUFFIX
UCC1895	-55°C to +125°C	J, L
UCC2895	-40°C to +85°C	DW, N, PW, Q
UCC3895	0°C to +70°C	DW, N, PW, Q

ORDERING INFORMATION



CONNECTION DIAGRAMS



ELECTRICAL CHARACTERISTICS: Unless otherwise specified, VDD=12V, RT=82kΩ, CT=220pF, RDELAB=10kΩ, RDELCD=10kΩ, CREF=0.1μF, CVDD=1.0μF, no load at outputs. TA = TJ. TA = 0°C to 70°C for UCC3895x, -40°C to +85°C for UCC2895x, and -55°C to +125°C for UCC1895x.

PARAMETER	TEST CONDITIONS	MIN	TYP	MAX	UNITS
UVLO Section					
Start Threshold		10.2	11	11.8	V
Stop Threshold		8.2	9	9.8	V
Hysteresis		1.0	2.0	3.0	V
Supply Current					
Start-up Current	VDD = 8V		150	250	μA
IDD Active			5	6	mA
VDD Clamp Voltage	IDD = 10mA	16.5	17.5	18.5	V

ELECTRICAL CHARACTERISTICS: Unless otherwise specified, VDD=12V, RT=82kΩ, CT=220pF, RDELAB=10kΩ, RDELCD=10kΩ, CREF=0.1μF, CVDD=1.0μF, no load at outputs. TA = TJ. TA = 0°C to 70°C for UCC3895x, -40°C to +85°C for UCC2895x, and -55°C to +125°C for UCC1895x.

PARAMETER	TEST CONDITIONS	MIN	TYP	MAX	UNITS
Voltage Reference Section					
Output Voltage	TJ = 25°C	4.94	5.00	5.06	V
	10V < VDD < 17.5V, 0mA < IREF < 5mA, Temperature	4.85	5	5.15	V
Short Circuit Current	REF = 0V, TJ = 25°C	10	20		mA
Error Amplifier Section					
Common Mode Input Voltage Range		-0.1		3.6	V
Offset Voltage		-7		7	mV
Input Bias Current (EAP, EAN)		-1		1	μA
EAOUT VOH	EAP-EAN = 500mV, IEAOUT= -0.5mA	4.0	4.5	5.0	V
EAOUT VOL	EAP-EAN = -500mV, IEAOUT= 0.5mA	0	0.2	0.4	V
EAOUT Source Current	EAP-EAN = 500mV, EAOUT= 2.5V	1.0	1.5		mA
EAOUT Sink Current	EAP-EAN = -500mV, EAOUT= 2.5V	2.5	4.5		mA
Open Loop DC Gain		75	85		dB
Unity Gain Bandwidth	(Note 3)	5.0	7.0		MHz
Slew Rate	EAN from 1V to 0V, EAP = 500mV, EAOUT from 0.5V to 3.0V	1.5	2.2		V/μs
No Load Comparator Turn-Off Threshold		0.45	0.50	0.55	V
No Load Comparator Turn-On Threshold		0.55	0.60	0.69	V
No Load Comparator Hysteresis		0.035	0.100	0.165	V
Oscillator Section					
Frequency	TJ = 25°C	473	500	527	kHz
Total Variation	Line, Temperature (Note 3)		2.5	5	%
SYNC VIH		2.05	2.10	2.25	V
SYNC VIL		1.85	1.90	1.95	V
SYNC VOH	ISYNC = -400μA, CT = 2.6V	4.1	4.5	5.0	V
SYNC VOL	ISYNC = 100μA, CT = 2.6V	0.0	0.5	1.0	V
SYNC Output Pulse Width	SYNC Load = 3.9kΩ and 30pF in parallel		85	135	ns
RT Voltage		2.9	3	3.1	V
CT Peak Voltage		2.25	2.35	2.50	V
CT Valley Voltage		0.0	0.2	0.4	V
PWM Comparator Section					
EAOUT to RAMP Input Offset Voltage	RAMP = 0V, DELAB = DELCD = REF	0.72	0.85	1.05	V
Minimum Phase Shift (OUTA to OUTC, OUTB to OUTD)	RAMP = 0V, EAOUT = 650mV (Note 1)	0.00	0.85	1.40	%
RAMP to OUTC/OUTD Delay	RAMP from 0V to 2.5V, EAOUT = 1.2V, DELAB = DELCD = REF (Note 2)		70	120	ns
RAMP Bias Current	RAMP < 5V, CT < 2.2V	-5		5	μA
RAMP Sink Current	RAMP = 5V, CT < 2.6V	12	19		mA
Current Sense Section					
CS Bias Current	0 < CS , 2.5V, 0 < ADS < 2.5V	-4.5		20	μA
Peak Current Threshold		1.90	2.00	2.10	V
Overcurrent Threshold		2.4	2.5	2.6	V
CS to Output Delay	CS from 0 to 2.3V, DELAB = DELCD = REF		75	110	ns

ELECTRICAL CHARACTERISTICS: Unless otherwise specified, VDD=12V, RT=82kΩ, CT=220pF, RDELAB=10kΩ, RDELCD=10kΩ, CREF=0.1μF, CVDD=1.0μF, no load at outputs. TA = TJ. TA = 0°C to 70°C for UCC3895x, -40°C to +85°C for UCC2895x, and -55°C to +125°C for UCC1895x.

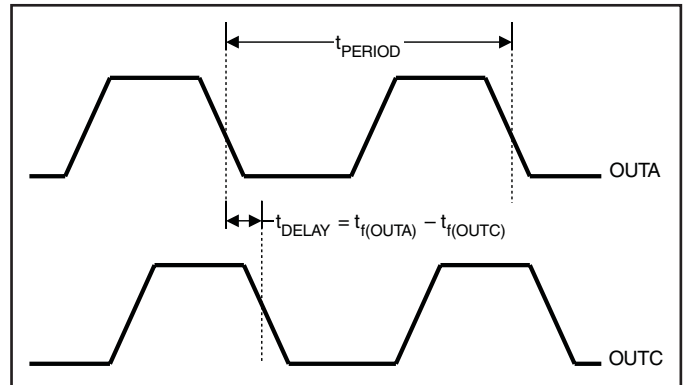
PARAMETER	TEST CONDITIONS	MIN	TYP	MAX	UNITS
Soft Start/Shutdown Section					
Soft Start Source Current	SS/DISB = 3.0V, CS < 1.9V	-40	-35	-30	μA
Soft Start Sink Current	SS/DISB = 3.0V, CS > 2.6V	325	350	375	μA
Soft Start/Disable Comparator Threshold		0.44	0.50	0.56	V
Delay Set Section					
DELAB/DELCD Output Voltage	ADS = CS = 0V	0.45	0.50	0.55	V
	ADS = 0V, CS = 2.0V	1.9	2.0	2.1	V
Output Delay	ADS = CS = 0V (Note 2)	450	525	600	ns
ADS Bias Current	0V < ADS < 2.5V, 0V < CS < 2.5V	-20		20	μA
Output Section					
VOH (all outputs)	IOUT = -10mA, VDD to Output		250	400	mV
VOL (all outputs)	IOUT = 10mA		150	250	mV
Rise Time	CLOAD = 100pF		20	35	ns
Fall Time	CLOAD = 100pF		20	35	ns

Note 1: Minimum phase shift is defined as followed:

$$\Phi = 200 \cdot \frac{t_{f(OUTA)} - t_{f(OUTC)}}{t_{PERIOD}} \text{ Or}$$

$$\Phi = 200 \cdot \frac{t_{f(OUTB)} - t_{f(OUTD)}}{t_{PERIOD}} \text{ where}$$

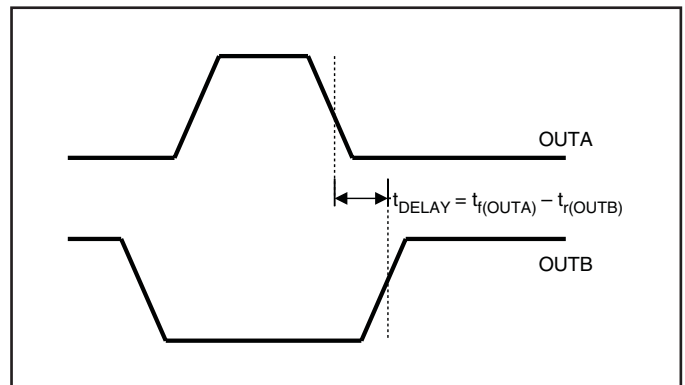
$t_{f(OUTA)}$ = falling edge of OUTA signal
 $t_{f(OUTB)}$ = falling edge of OUTB signal
 $t_{f(OUTC)}$ = falling edge of OUTC signal
 $t_{f(OUTD)}$ = falling edge of OUTD signal
 $t_{(PERIOD)}$ = period of OUTA or OUTB signal



Same applies to OUTB and OUTD

Note 2. Output delay is measured between OUTA/OUTB or OUTC/OUTD. Output delay is defined as shown below, where:

$t_{f(OUTA)}$ = falling edge of OUTA signal
 $t_{r(OUTB)}$ = rising edge of OUTB signal



Same applies to OUTC and OUTD

Note 3: Guaranteed by design. Not 100% tested in production.

PIN DESCRIPTIONS

ADS: Adaptive Delay Set. This function sets the ratio between the maximum and minimum programmed output delay dead time. When the ADS pin is directly connected to the CS pin, no delay modulation occurs. The maximum delay modulation occurs when ADS is grounded. In this case, delay time is four times longer when CS = 0 than when CS = 2.0V (the Peak Current threshold), ADS changes the output voltage on the delay pins DELAB and DELCD by the following formula:

$$V_{DEL} = [0.75 \cdot (V_{CS} - V_{ADS})] + 0.5V$$

where V_{CS} and V_{ADS} are in Volts. ADS must be limited to between 0V and 2.5V and must be less than or equal to CS. DELAB and DELCD also will be clamped to a minimum of 0.5V.

EAOUT: Error Amplifier Output. It is also connected internally to the non-inverting input of the PWM comparator and the no-load comparator. EAOUT is internally clamped to the soft start voltage. The no-load comparator shuts down the output stages when EAOUT falls below 500mV, and allows the outputs to turn-on again when EAOUT rises above 600mV.

CT: Oscillator Timing Capacitor. (Refer to Fig. 1, Oscillator Block Diagram) The UCC3895's oscillator charges CT via a programmed current. The waveform on C_T is a sawtooth, with a peak voltage of 2.35V. The approximate oscillator period is calculated by the following formula:

$$t_{OSC} = \frac{5 \cdot R_T \cdot C_T}{48} + 120 ns$$

where C_T is in Farads, and R_T is in Ohms and t_{OSC} is in seconds. C_T can range from 100pF to 880pF. Please note that a large C_T and a small R_T combination will result in extended fall times on the C_T waveform. The increased fall time will increase the SYNC pulse width, hence limiting the maximum phase shift between OUTA, OUTB and OUTC, OUTD outputs, which limits the maximum duty cycle of the converter.

CS: Current Sense. This is the inverting input of the Current Sense comparator and the non-inverting input of the Over-current comparator, and the ADS amplifier. The current sense signal is used for cycle-by-cycle current limiting in peak current mode control, and for overcurrent protection in all cases with a secondary threshold for output shutdown. An output disable initiated by an overcurrent fault also results in a restart cycle, called "soft stop", with full soft start.

DELAB, DELCD: Delay Programming Between Complementary Outputs. DELAB programs the dead time between switching of OUTA and OUTB, and DELCD programs the dead time between OUTC and OUTD. This delay is introduced between complementary outputs in the same leg of the external bridge. The UCC3895 allows the user to select the delay, in which the resonant switching of the external power stages takes place. Separate delays are provided for the two half-bridges to accommodate differences in resonant capacitor charging currents. The delay in each stage is set according to the following formula:

$$t_{DELAY} = \frac{(25 \cdot 10^{-12}) \cdot R_{DEL}}{V_{DEL}} + 25 ns$$

where V_{DEL} is in Volts, and R_{DEL} is in Ohms and t_{DELAY} is in seconds. DELAB and DELCD can source about 1mA maximum. Choose the delay resistors so that this maximum is not exceeded. Programmable output delay can be defeated by tying DELAB and/or DELCD to REF. For an optimum performance keep stray capacitance on these pins at <10pF.

EAP: The non-inverting input to the error amplifier.

EAN: The inverting input to the error amplifier.

GND: Chip ground for all circuits except the output stages.

OUTA, OUTB, OUTC, OUTD: The 4 outputs are 100mA complementary MOS drivers, and are optimized to drive FET driver circuits. OUTA and OUTB are fully complementary, (assuming no programmed delay). They operate near 50% duty cycle and one-half the oscillating frequency. OUTA and OUTB are intended to drive one half-bridge circuit in an external power stage. OUTC and OUTD will drive the other half-bridge and will have the same characteristics as OUTA and OUTB. OUTC is phase shifted with respect to OUTA, and OUTD is phase shifted with respect to OUTB. Note that changing the phase relationship of OUTC and OUTD with respect to OUTA and OUTB requires other than the nominal 50% duty ratio on OUTC and OUTD during those transients.

PGND: Output Stage Ground. To keep output switching noise from critical analog circuits, the UCC3895 has 2 different ground connections. PGND is the ground connection for the high-current output stages. Both GND and PGND must be electrically tied together closely near the IC. Also, since PGND carries high current, board traces must be low impedance.

PIN DESCRIPTIONS (cont.)

RAMP: The Inverting Input of the PWM Comparator. This pin receives either the CT waveform in voltage and average current mode controls, or the current signal (plus slope compensation) in peak current mode control. An internal discharge transistor is provided on RAMP, which is triggered during the oscillator dead time.

RT: Oscillator Timing Resistor. (Refer to Fig. 1, Oscillator Block Diagram) The oscillator in the UCC3895 operates by charging an external timing capacitor, CT, with a fixed current programmed by R_T . R_T current is calculated as follows:

$$I_{RT} = \frac{3.0V}{R_T}$$

where R_T is in Ohms and I_{RT} is in Amperes. R_T can range from 40k Ω to 120k Ω . Soft start charging and discharging current are also programmed by I_{RT} .

SS/DISB: Soft Start/Disable. This pin combines the two independent functions.

Disable Mode: A rapid shutdown of the chip is accomplished by any one of the following: externally forcing SS/DISB below 0.5V, externally forcing REF below 4V, V_{DD} dropping below the UNLO threshold, or an overcurrent fault is sensed ($CS = 2.5V$).

In the case of REF being pulled below 4V or an UVLO condition, SS/DISB is actively pulled to ground via an internal MOSFET switch. If an overcurrent is sensed, SS/DISB will sink a current of $(10 \cdot I_{RT})$ until SS/DISB falls below 0.5V.

Note that if SS/DISB is externally forced below 0.5V the pin will start to source current equal to I_{RT} . Also note that the only time the part switches into the low I_{DD} current mode is when the part is in undervoltage lockout.

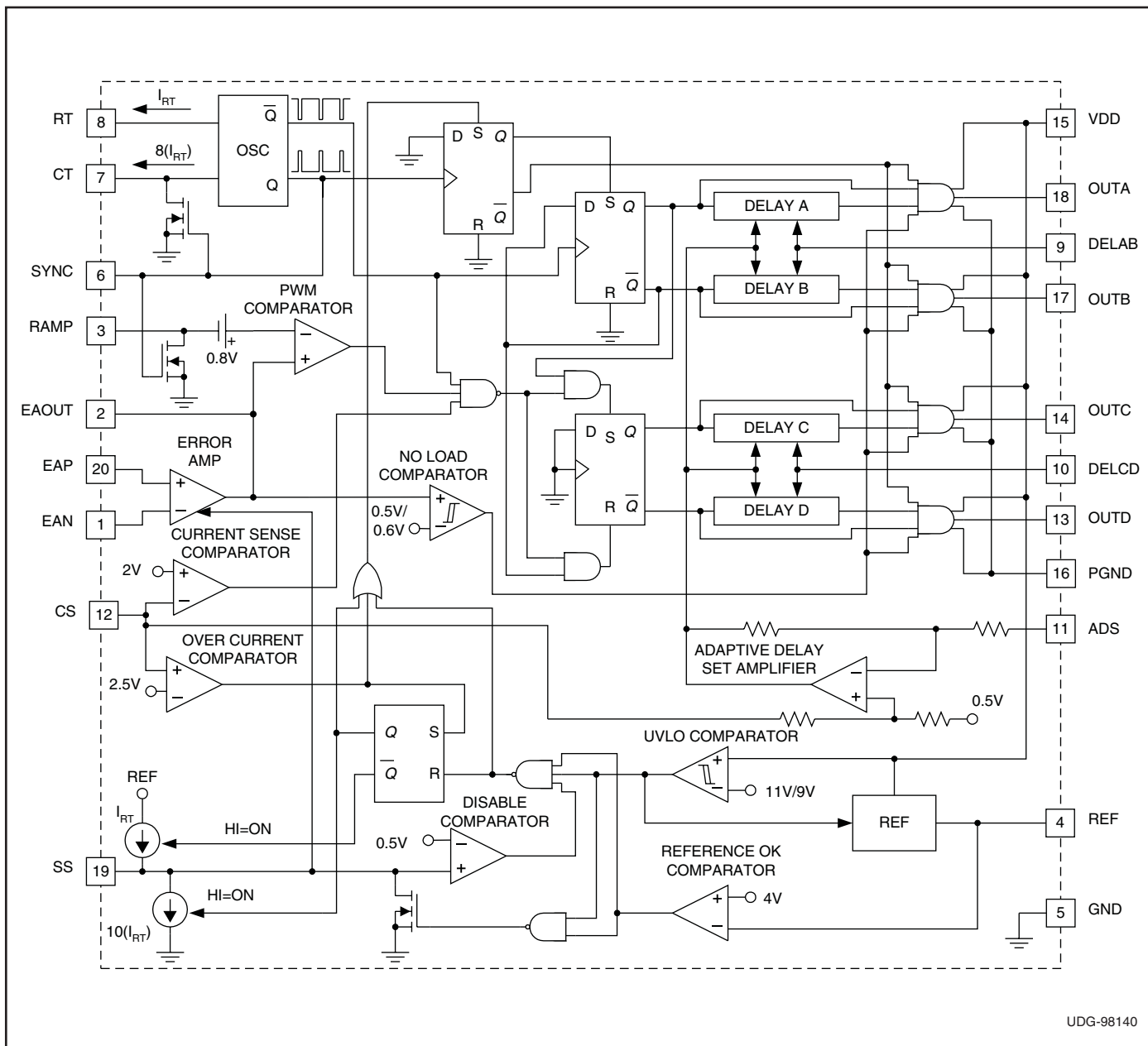
Soft Start Mode: After a fault or disable condition has passed, V_{DD} is above the start threshold, and/or SS/DISB falls below 0.5V during a soft stop, SS/DISB will switch to a soft start mode. The pin will now source current, equal to I_{RT} . A user-selected capacitor on SS/DISB determines the soft start (and soft-start) time. In addition, a resistor in parallel with the capacitor may be used, limiting the maximum voltage on SS/DISB. Note that SS/DISB will actively clamp the EAOUT pin voltage to approximately the SS/DISB pin voltage during both soft start, soft stop, and disable conditions.

SYNC: Oscillator Synchronization. (Refer to Fig. 1, Oscillator Block Diagram) This pin is bidirectional. When used as an output, SYNC can be used as a clock, which is the same as the chip's internal clock. When used as an input, SYNC will override the chip's internal oscillator and act as its clock signal. This bidirectional feature allows synchronization of multiple power supplies. The SYNC signal will also internally discharge the CT capacitor and any filter capacitors that are present on the RAMP pin. The internal SYNC circuitry is level sensitive, with an input low threshold of 1.9V, and an input high threshold of 2.1V. A resistor as small as 3.9k Ω may be tied between SYNC and GND to reduce the sync pulse width.

VDD: Power Supply. V_{DD} must be bypassed with a minimum of a 1.0 μ F low ESR, low ESL capacitor to ground.

REF: 5V, $\pm 1.2\%$ voltage reference. The reference supplies power to internal circuitry, and can also supply up to 5mA to external loads. The reference is shut down during undervoltage lock-out but is operational during all other disable modes. For best performance, bypass with a 0.1 μ F low ESR, low ESL capacitor to ground.

BLOCK DIAGRAM



UDG-98140

CIRCUIT DESCRIPTION

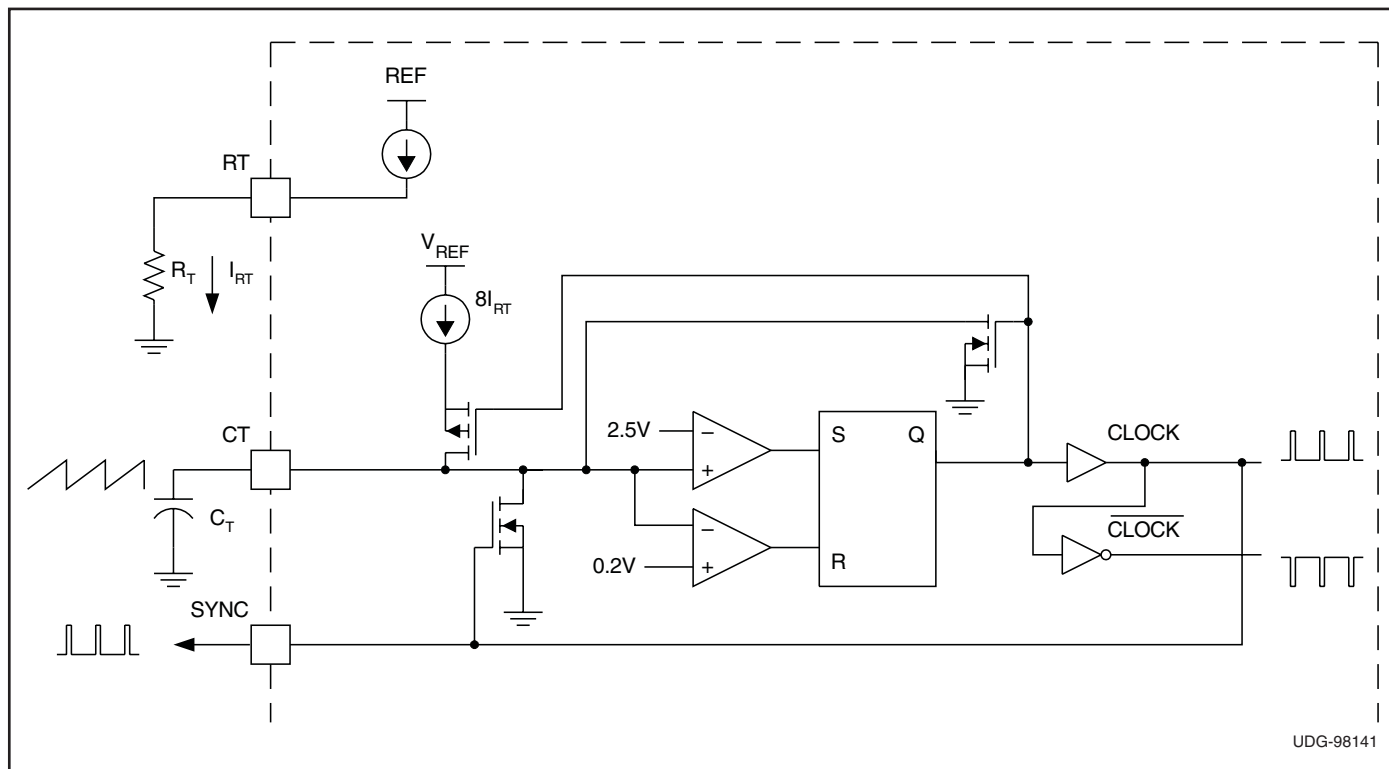


Figure 1. Oscillator block diagram.

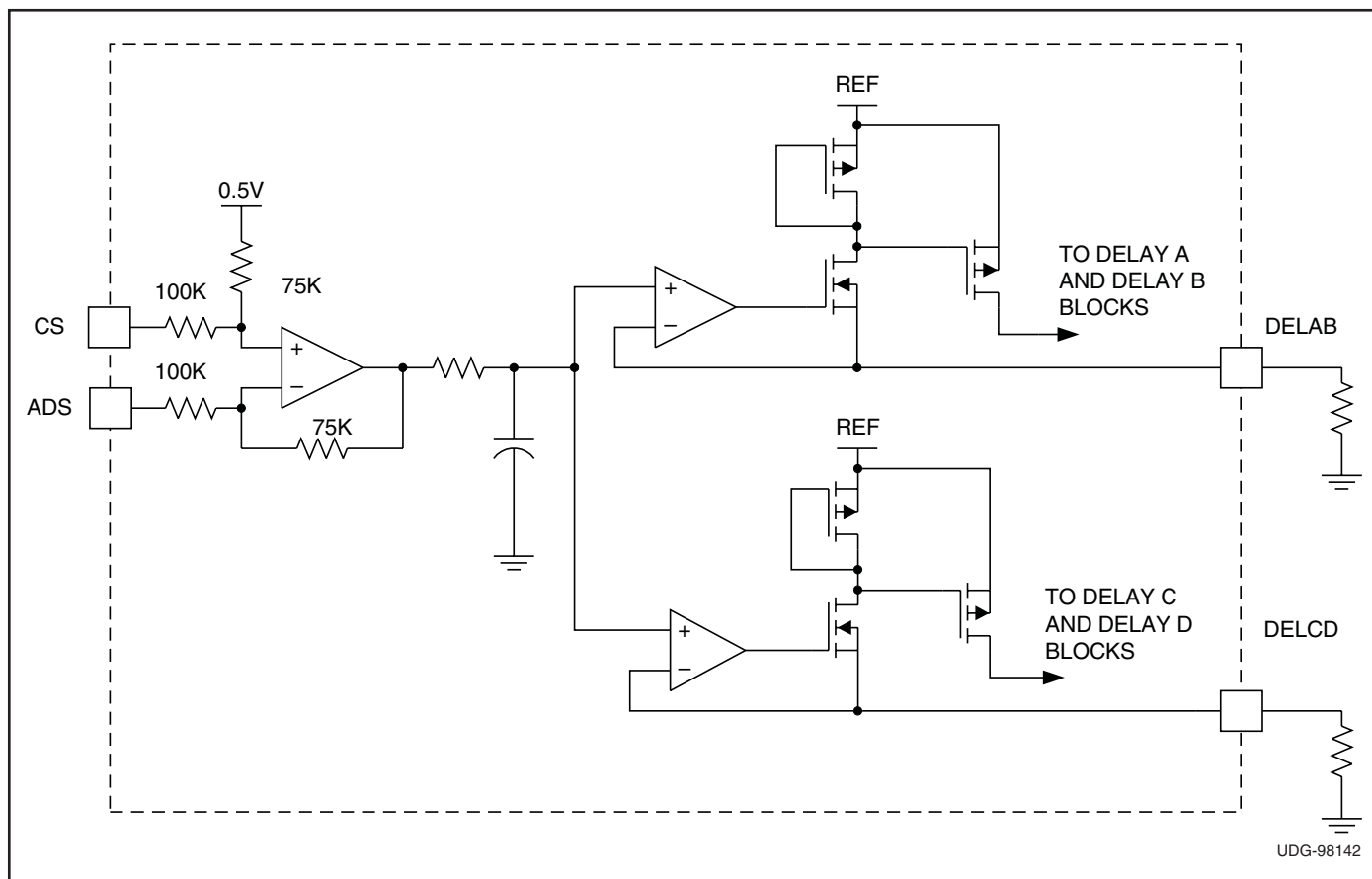


Figure 2. Adaptive delay set block diagram.

CIRCUIT DESCRIPTION (cont.)

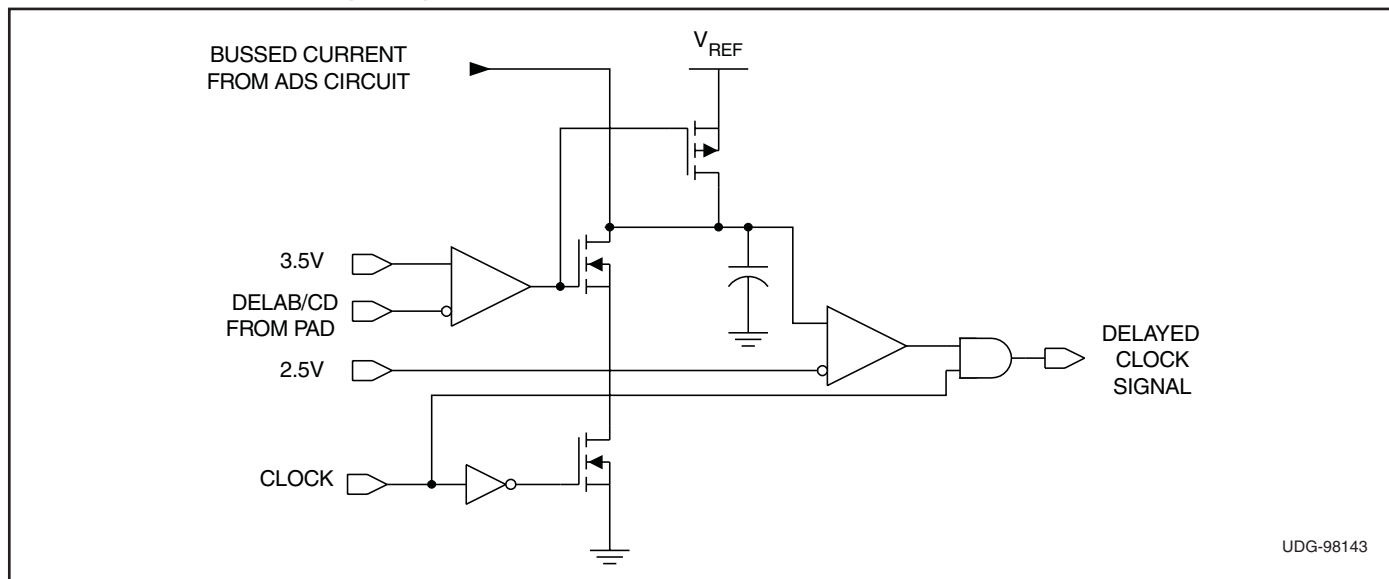


Figure 3. Delay block diagram (one delay block per output).

APPLICATION INFORMATION

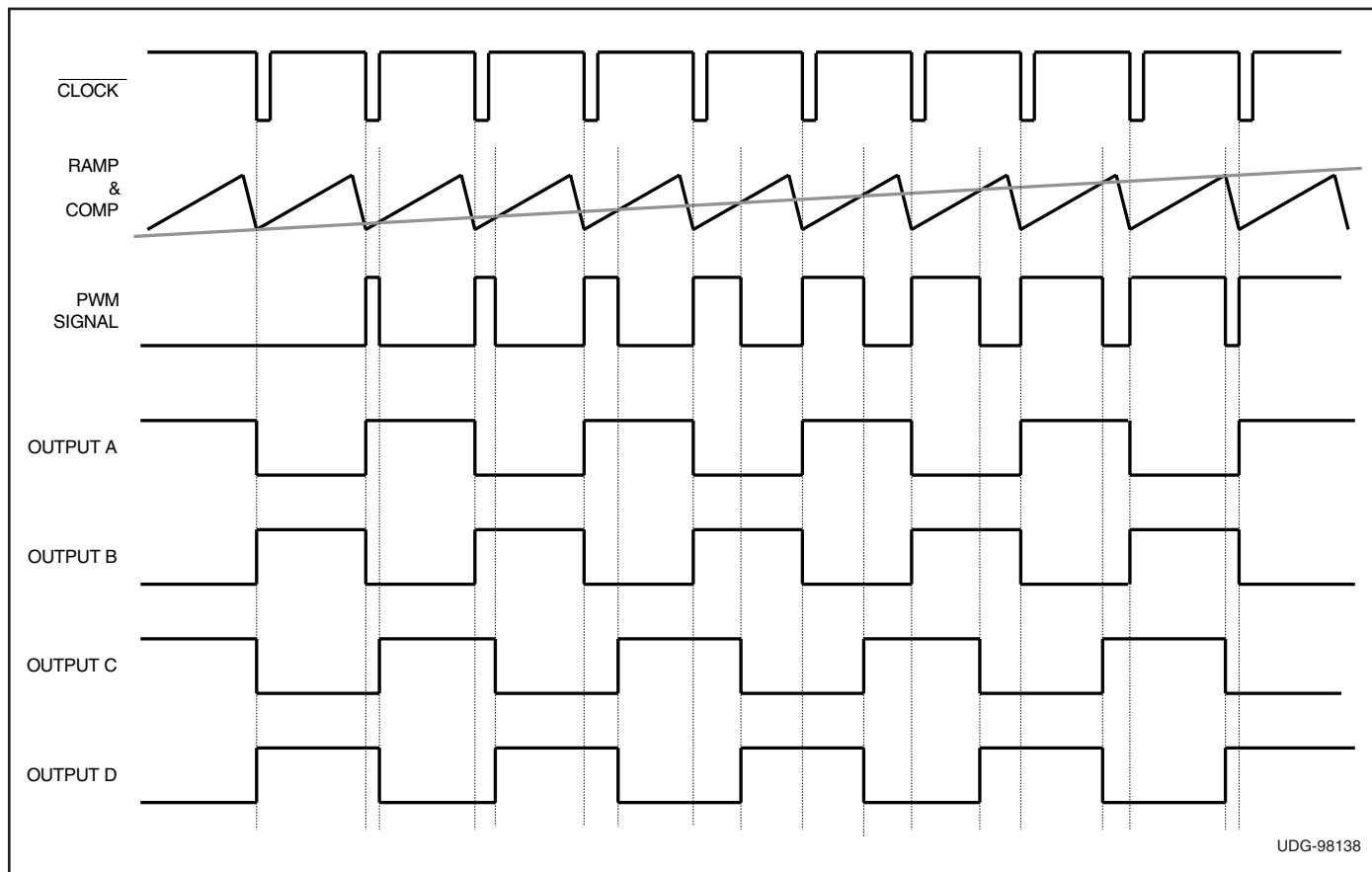


Figure 4. UCC3895 timing diagram (no output delay shown).

TYPICAL CHARACTERISTIC

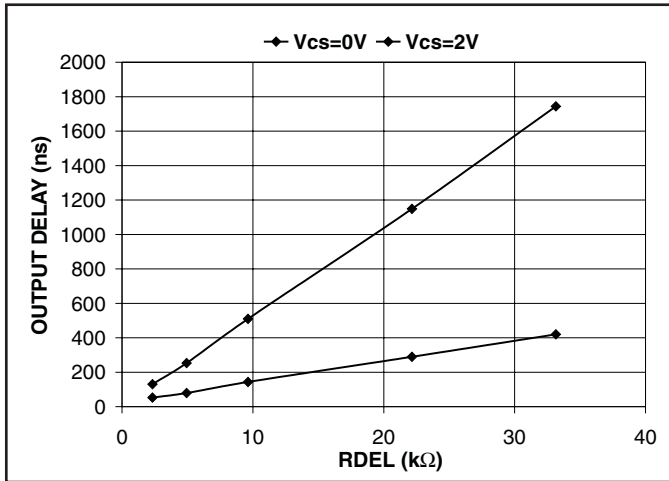


Figure 5. Delay programming: characterizes the output delay between A/B, C/D.

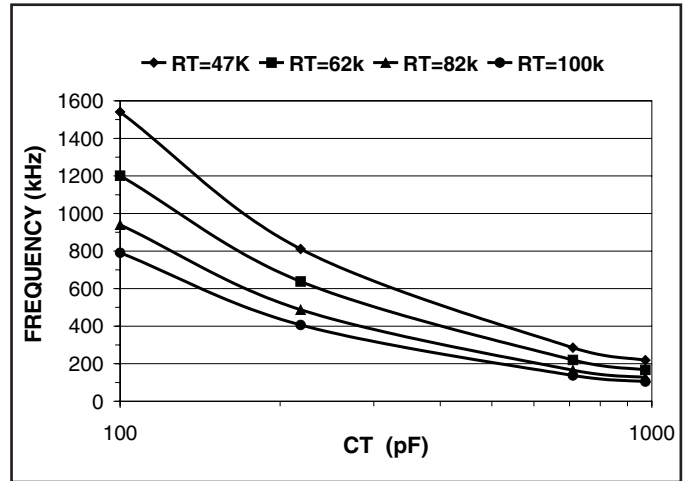


Figure 8. Frequency vs. RT/CT (oscillator frequency).

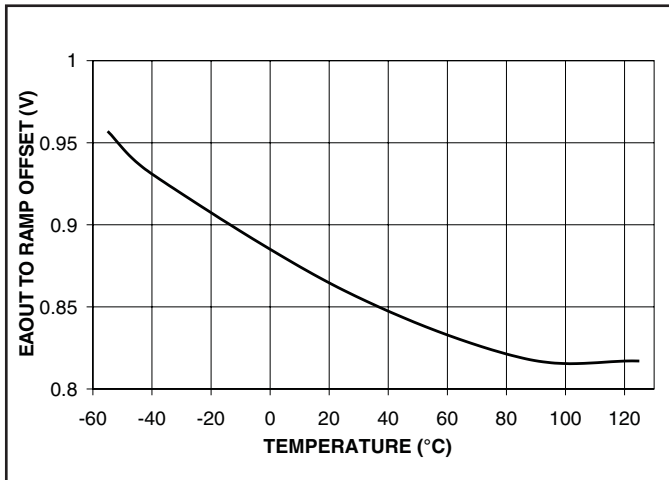


Figure 6. EAOUT to RAMP offset over temperature.

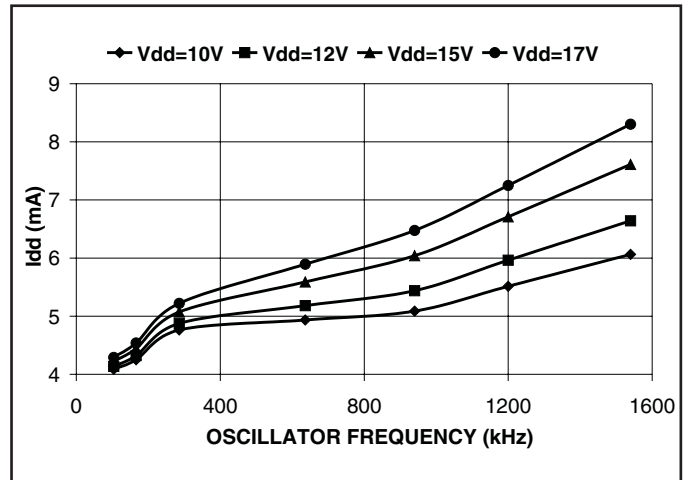


Figure 9. Idd vs. Vdd / oscillator frequency (no output loading).

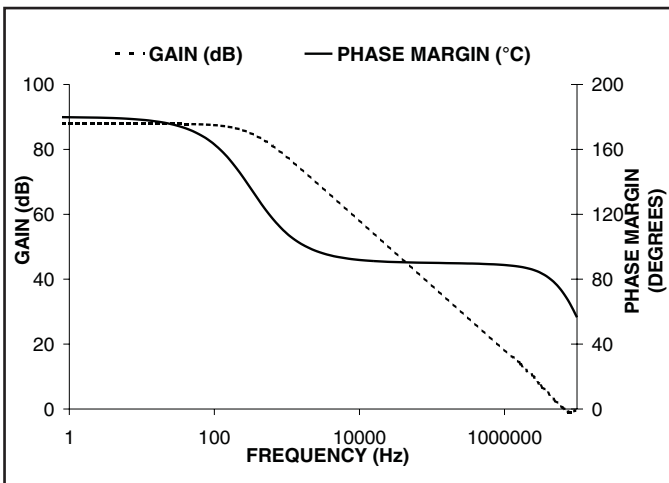


Figure 7. Error amplifier gain/phase margin.

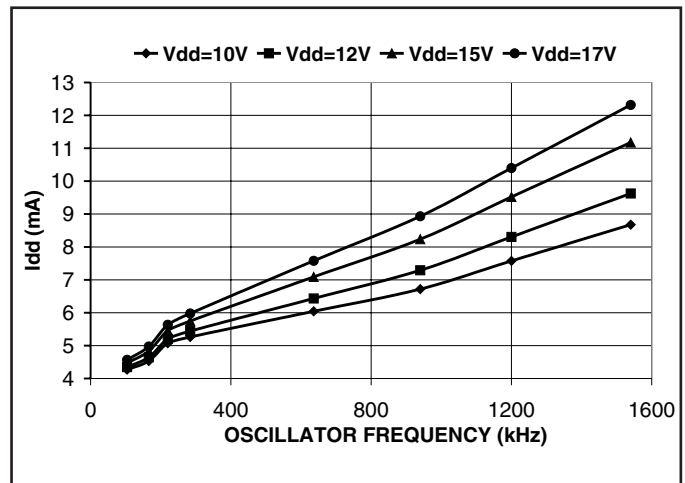


Figure 10. Idd vs. Vdd / oscillator frequency (with 0.1nf output loads).