



REALTEK

ALC5631Q

I²C + I²S Audio Codec Stereo Class-D Amp Cap-Free Headphone Amp

Datasheet

Rev. 0.9



Realtek Semiconductor Corp.

No. 2, Innovation Road II, Hsinchu Science Park, Hsinchu 300, Taiwan

Tel.: +886-3-578-0211. Fax: +886-3-577-6047

www.realtek.com

COPYRIGHT

©2011 Realtek Semiconductor Corp. All rights reserved. No part of this document may be reproduced, transmitted, transcribed, stored in a retrieval system, or translated into any language in any form or by any means without the written permission of Realtek Semiconductor Corp.

DISCLAIMER

Realtek provides this document “as is”, without warranty of any kind. Realtek may make improvements and/or changes in this document or in the product described in this document at any time. This document could include technical inaccuracies or typographical errors.

TRADEMARKS

Realtek is a trademark of Realtek Semiconductor Corporation. Other names mentioned in this document are trademarks/registered trademarks of their respective owners.

USING THIS DOCUMENT

This document is intended for the hardware and software engineer’s general information on the Realtek ALC5631Q Audio Codec IC.

Though every effort has been made to ensure that this document is current and accurate, more information may have become available subsequent to the production of this guide.

REVISION HISTORY

Revision	Release Date	Summary
0.1	2010/03/01	Preliminary version
0.11	2010/3/17	Fix typing error
0.2	2010/4/20	<ol style="list-style-type: none"> 1. Modify package pin definition 2. Add note at mixer path 3. Modify ALC block 4. Modify pin location for typing error 5. Modify application circuit
0.3	2010/5/4	<ol style="list-style-type: none"> 1. Modify Figure 3 2. Modify application circuit 3. add more description
0.4	2010/8/18	<ol style="list-style-type: none"> 1. Modify some typing error 2. Modify Application circuit 3. Modify order information to "Sample"
0.5	2010/9/21	<ol style="list-style-type: none"> 1. Modify performance information 2. Modify application circuit
0.61	2010/9/27	<ol style="list-style-type: none"> 1. Modify some typos
0.62	2010/12/13	<ol style="list-style-type: none"> 1. Modify typos in register list 2. Update operation voltage for AVDD 3. Modify application circuit
0.9	2011/1/20	<ol style="list-style-type: none"> 1. Modify registers 2. Modify mixer path

Table of Contents

1. GENERAL DESCRIPTION	1
2. FEATURES	1
3. SYSTEM APPLICATION	2
4. FUNCTION BLOCK AND MIXER PATH	2
4.1. FUNCTION BLOCK	2
4.2. AUDIO MIXER PATH.....	3
5. PIN ASSIGNMENTS	4
5.1. GREEN PACKAGE AND VERSION IDENTIFICATION	4
6. PIN DESCRIPTIONS	5
6.1. DIGITAL I/O PINS	5
6.2. ANALOG I/O PINS	6
6.3. FILTER/REFERENCE.....	7
6.4. POWER/GROUND.....	7
7. FUNCTION DESCRIPTION	8
7.1. POWER	8
7.2. RESET	8
7.2.1. <i>Power-On Reset (POR)</i>	9
7.2.2. <i>H/W Reset</i>	9
7.2.3. <i>Software Reset</i>	9
7.3. CLOCKING.....	9
7.3.1. <i>Phase-Locked Loop</i>	10
7.3.2. <i>I²C and Stereo I²S</i>	10
7.4. DIGITAL DATA INTERFACE	11
7.4.1. <i>Stereo I²S/PCM Interface</i>	11
7.5. AUDIO DATA PATH	14
7.5.1. <i>Stereo ADC</i>	14
7.5.2. <i>Stereo DAC</i>	14
7.5.3. <i>Mixers</i>	14
7.6. ANALOG AUDIO INPUT PATH	15
7.7. ANALOG AUDIO OUTPUT PATH.....	16
7.8. ALC FUNCTION	17
7.9. SPEAKER AMPLIFIER RATIO GAIN.....	20
7.10. HARDWARE SOUND PROCESSING	21
7.10.1. <i>Equalizer Block</i>	21
7.10.2. <i>Pseudo Stereo and Spatial 3D Sound</i>	21
7.10.3. <i>Wind Noise Reduction Filter</i>	21
7.11. I ² C CONTROL INTERFACE	22
7.11.1. <i>Address Setting</i>	22
7.11.2. <i>Complete Data Transfer</i>	22
7.11.3. <i>Odd-Addressed Register Access</i>	23
7.12. GPIO, INTERRUPT AND JACK DETECTION	23
7.13. POWER MANAGEMENT.....	25
8. REGISTERS LIST	26
8.1. REG-00H: RESET	26

8.2.	REG-02H: SPEAKER OUTPUT CONTROL	26
8.3.	REG-04H: HEADPHONE OUTPUT CONTROL	27
8.4.	REG-06H: OUTPUT CONTROL FOR AXO1/AXO2/MONOOUT	28
8.5.	REG-0AH: AUX INPUT VOLUME CONTROL	29
8.6.	REG-0Ch: STEREO DAC CONTROL 1	29
8.7.	REG-0EH: MICROPHONE INPUT CONTROL	30
8.8.	REG-10H: STEREO DAC CONTROL 2	30
8.9.	REG-12H: STEREO ADC CONTROL 1	30
8.10.	REG-14H: ADC RECORDING MIXER CONTROL	31
8.11.	REG-16H: STEREO ADC CONTROL 2	32
8.12.	REG-1AH: LEFT OUTPUT MIXER (OUTMIXL) CONTROL	32
8.13.	REG-1Ch: RIGHT OUTPUT MIXER (OUTMIXR) MIXER CONTROL	33
8.14.	REG-1EH: AXO1MIX CONTROL	33
8.15.	REG-20H: AXO2MIX CONTROL	35
8.16.	REG-22H: MICROPHONE INPUT CONTROL	36
8.17.	REG-24H: DIGITAL MICROPHONE CONTROL	37
8.18.	REG-26H: MONOIN INPUT VOLUME	38
8.19.	REG-28H: SPEAKER MIXER CONTROL	38
8.20.	REG-2AH: SPEAKER/MONO OUTPUT CONTROL	39
8.21.	REG-2Ch: SPEAKER/MONO/HP OUTPUT CONTROL	41
8.22.	REG-34H: STEREO I ² S SERIAL DATA PORT CONTROL	42
8.23.	REG-38H: STEREO ADC/DAC CLOCK CONTROL	43
8.24.	REG-3AH: POWER MANAGEMENT 1	44
8.25.	REG-3BH: POWER MANAGEMENT 2	45
8.26.	REG-3Ch: POWER MANAGEMENT 3	46
8.27.	REG-3EH: POWER MANAGEMENT 4	47
8.28.	REG-40H: GENERAL PURPOSE CONTROL REGISTER	48
8.29.	REG-42H: GLOBAL CLOCK CONTROL	49
8.30.	REG-44H: PLL CONTROL	49
8.30.1.	PLL Clock Setting Table for 48K: (Unit: MHz)	50
8.30.2.	PLL Clock Setting Table for 44.1K: (Unit: MHz)	50
8.31.	REG-48H: INTERNAL STATUS AND IRQ CONTROL 1	50
8.32.	REG-4AH: INTERNAL STATUS AND IRQ CONTROL 2	51
8.33.	REG-4Ch: GPIO CONTROL	51
8.34.	REG-52H: MISC. CONTROL	52
8.35.	REG-56H: DE-POP FUNCTION CONTROL	54
8.36.	REG-5AH: JACK DETECTION CONTROL	55
8.37.	REG-5Ch: SOFT VOLUME CONTROL	57
8.38.	REG-64H: ALC CONTROL 1	58
8.39.	REG-65H: ALC CONTROL 2	59
8.40.	REG-66H: ALC CONTROL 3	59
8.41.	REG-68H: PSEUDO STEREO AND SPATIAL EFFECT CONTROL	60
8.42.	REG-6AH: INDEX ADDRESS	61
8.43.	REG-6Ch: INDEX DATA	61
8.44.	REG-6EH: EQ CONTROL 1	61
8.45.	INDEX-00H: EQ LOW PASS FILTER COEFFICIENT (LPF: A1)	63
8.46.	INDEX-01H: EQ LOW PASS FILTER GAIN (LPF: Ho)	63
8.47.	INDEX-02H: EQ BAND PASS FILTER 1 COEFFICIENT (BPF1: A1)	63
8.48.	INDEX-03H: EQ BAND PASS FILTER 1 COEFFICIENT (BPF1: A2)	63
8.49.	INDEX-04H: EQ BAND PASS FILTER 1 GAIN (BPF1: Ho)	64
8.50.	INDEX-05H: EQ BAND PASS FILTER 2 COEFFICIENT (BPF2: A1)	64
8.51.	INDEX-06H: EQ BAND PASS FILTER 2 COEFFICIENT (BPF2: A2)	64
8.52.	INDEX-07H: EQ BAND PASS FILTER 2 GAIN (BPF2: Ho)	64
8.53.	INDEX-08H: EQ BAND PASS FILTER 3 COEFFICIENT (BPF3: A1)	65
8.54.	INDEX-09H: EQ BAND PASS FILTER 3 COEFFICIENT (BPF3: A2)	65

8.55.	INDEX-0AH: EQ BAND PASS FILTER 3 GAIN (BPF3: Ho)	65
8.56.	INDEX-0BH: EQ HIGH PASS FILTER 1 COEFFICIENT (HPF1: A1).....	65
8.57.	INDEX-0CH: EQ HIGH PASS FILTER 1 GAIN (HPF1: Ho)	66
8.58.	INDEX-0DH: EQ HIGH PASS FILTER 2 COEFFICIENT (HPF2: A1)	66
8.59.	INDEX-0EH: EQ HIGH PASS FILTER 2 COEFFICIENT (HPF2: A2).....	66
8.60.	INDEX-0FH: EQ HIGH PASS FILTER 2 GAIN (HPF2: Ho).....	66
8.61.	INDEX-11H: EQ INPUT VOLUME CONTROL	66
8.62.	INDEX-12H: EQ OUTPUT VOLUME CONTROL.....	67
8.63.	INDEX-20H: ALC DAC DIGITAL VOLUME.....	67
8.64.	INDEX-21H: AUTO VOLUME CONTROL REGISTER 1	68
8.65.	INDEX-22H: AUTO VOLUME CONTROL REGISTER 2	69
8.66.	INDEX-23H: AUTO LEVEL CONTROL REGISTER 3	71
8.67.	INDEX-4AH: CLASS-D INTERNAL REGISTER.....	71
8.68.	REG-7CH: VENDOR ID 1	72
9.	ELECTRICAL CHARACTERISTICS	73
9.1.	DC CHARACTERISTICS	73
9.1.1.	<i>Absolute Maximum Ratings</i>	73
9.1.2.	<i>Recommended Operating Conditions</i>	73
9.1.3.	<i>Static Characteristics</i>	73
9.2.	ANALOG PERFORMANCE CHARACTERISTICS.....	74
9.3.	SIGNAL TIMING.....	77
9.3.1.	<i>I²C Control Interface</i>	77
9.3.2.	<i>I²S/PCM Interface Master Mode</i>	78
9.3.3.	<i>I²S/PCM Interface Slave Mode</i>	79
10.	APPLICATION CIRCUITS	80
11.	MECHANICAL DIMENSIONS.....	81
12.	ORDERING INFORMATION	82

List of Tables

TABLE 1.	DIGITAL I/O PINS	5
TABLE 2.	ANALOG I/O PINS.....	6
TABLE 3.	FILTER/REFERENCE	7
TABLE 4.	POWER/GROUND	7
TABLE 5.	POWER SUPPLY FOR BEST PERFORMANCE.....	8
TABLE 6.	POWER SUPPLY FOR LEAKAGE CURRENT	8
TABLE 7.	RESET OPERATION	8
TABLE 8.	POWER-ON RESET VOLTAGE.....	9
TABLE 9.	CLOCK SETTING TABLE FOR 48K (UNIT: MHz)	10
TABLE 10.	CLOCK SETTING TABLE FOR 44.1K (UNIT: MHz)	10
TABLE 11.	RATION GAIN TABLE FOR SPKVDD	20
TABLE 12.	SAMPLE RATE WITH BANDWIDTH FOR WIND FILTER.....	21
TABLE 13.	ADDRESS SETTING (0x34H).....	22
TABLE 13.	WRITE WORD PROTOCOL	22
TABLE 14.	READ WORD PROTOCOL	22
TABLE 14.	REG-00H: RESET	26
TABLE 15.	REG-02H: SPEAKER OUTPUT CONTROL	26
TABLE 16.	REG-04H: HEADPHONE OUTPUT CONTROL	27
TABLE 17.	REG-06H: OUTPUT CONTROL FOR AXO1/AXO2/MONOOUT.....	28
TABLE 18.	REG-0AH: AUX INPUT VOLUME CONTROL	29
TABLE 19.	REG-0CH: STEREO DAC CONTROL 1	29
TABLE 20.	REG-0EH: MICROPHONE INPUT CONTROL.....	30
TABLE 21.	REG-10H: STEREO DAC CONTROL 2	30
TABLE 22.	REG-12H: STEREO ADC CONTROL 1	30
TABLE 23.	REG-14H: ADC RECORDING MIXER CONTROL	31
TABLE 24.	REG-16H: STEREO ADC CONTROL 2	32
TABLE 25.	REG-1AH: LEFT OUTPUT MIXER CONTROL.....	32
TABLE 26.	REG-1CH: RIGHT OUTPUT MIXER CONTROL.....	33
TABLE 27.	REG-1EH: AXO1 MIXER CONTROL.....	34
TABLE 28.	REG-20H: AXO2 MIXER CONTROL	35
TABLE 29.	REG-22H: MICROPHONE INPUT CONTROL	36
TABLE 30.	REG-24H: DIGITAL MICROPHONE CONTROL	37
TABLE 31.	REG-26H: MONOIN INPUT VOLUME	38
TABLE 32.	REG-28H: SPEAKER MIXER CONTROL	38
TABLE 33.	REG-2AH: SPEAKER/MONO OUTPUT CONTROL	39
TABLE 34.	REG-2CH: SPEAKER/MONO/HP OUTPUT CONTROL.....	41
TABLE 35.	REG-34H: STEREO I ² S SERIAL DATA PORT CONTROL	42
TABLE 36.	REG-38H: STEREO ADC/DAC CLOCK CONTROL	43
TABLE 37.	REG-3AH: POWER MANAGEMENT 1	44
TABLE 38.	REG-3BH: POWER MANAGEMENT 2	45
TABLE 39.	REG-3CH: POWER MANAGEMENT 3	46
TABLE 40.	REG-3EH: POWER MANAGEMENT 4	47
TABLE 41.	REG-40H: GENERAL PURPOSE CONTROL REGISTER	48
TABLE 42.	REG-42H: GLOBAL CLOCK CONTROL.....	49
TABLE 43.	REG-44H: PLL CONTROL	49
TABLE 44.	PLL CLOCK SETTING TABLE FOR 48K: (UNIT: MHz)	50
TABLE 45.	PLL CLOCK SETTING TABLE FOR 44.1K: (UNIT: MHz)	50
TABLE 46.	REG-48H: INTERNAL STATUS AND IRQ CONTROL 1	50
TABLE 47.	REG-4AH: INTERNAL STATUS AND IRQ CONTROL 2	51
TABLE 48.	REG-4CH: GPIO CONTROL	52
TABLE 49.	REG-52H: MISC. CONTROL.....	52
TABLE 50.	REG-54H: DE-POP FUNCTION CONTROL 1	53

TABLE 51.	REG-56H: DE-POP FUNCTION CONTROL.....	54
TABLE 52.	REG-5AH: JACK DETECTION CONTROL.....	55
TABLE 53.	REG-5CH: SOFT VOLUME CONTROL.....	57
TABLE 54.	REG-64H: ALC CONTROL 1.....	58
TABLE 55.	REG-65H: ALC CONTROL 2.....	59
TABLE 56.	REG-66H: ALC CONTROL 3.....	59
TABLE 57.	REG-68H: PSEUDO STEREO AND SPATIAL EFFECT CONTROL.....	60
TABLE 58.	REG-6AH: INDEX ADDRESS.....	61
TABLE 59.	REG-6CH: INDEX DATA.....	61
TABLE 60.	REG-6EH: EQ CONTROL 1.....	61
TABLE 61.	INDEX-00H: EQ LOW PASS FILTER COEFFICIENT (LPF: A1).....	63
TABLE 62.	INDEX-01H: EQ LOW PASS FILTER GAIN (LPF: Ho).....	63
TABLE 63.	INDEX-02H: EQ BAND PASS FILTER 1 COEFFICIENT (BPF1: A1).....	63
TABLE 64.	INDEX-03H: EQ BAND PASS FILTER 1 COEFFICIENT (BPF1: A2).....	64
TABLE 65.	INDEX-04H: EQ BAND PASS FILTER 1 GAIN (BPF1: Ho).....	64
TABLE 66.	INDEX-05H: EQ BAND PASS FILTER 2 COEFFICIENT (BPF2: A1).....	64
TABLE 67.	INDEX-06H: EQ BAND PASS FILTER 2 COEFFICIENT (BPF2: A2).....	64
TABLE 68.	INDEX-07H: EQ BAND PASS FILTER 2 GAIN (BPF2: Ho).....	64
TABLE 69.	INDEX-08H: EQ BAND PASS FILTER 3 COEFFICIENT (BPF3: A1).....	65
TABLE 70.	INDEX-09H: EQ BAND PASS FILTER 3 COEFFICIENT (BPF3: A2).....	65
TABLE 71.	INDEX-0AH: EQ BAND PASS FILTER 3 GAIN (BPF3: Ho).....	65
TABLE 72.	INDEX-0BH: EQ HIGH PASS FILTER 1 COEFFICIENT (HPF1: A1).....	65
TABLE 73.	INDEX-0CH: EQ HIGH PASS FILTER 1 GAIN (HPF1: Ho).....	66
TABLE 74.	INDEX-0DH: EQ HIGH PASS FILTER 2 COEFFICIENT (HPF1: A1).....	66
TABLE 75.	INDEX-0EH: EQ HIGH PASS FILTER 2 COEFFICIENT (HPF1: A2).....	66
TABLE 76.	INDEX-0FH: EQ HIGH PASS FILTER 2 GAIN (HPF2: Ho).....	66
TABLE 77.	INDEX-11H: EQ INPUT VOLUME CONTROL.....	67
TABLE 78.	INDEX-12H: EQ OUTPUT VOLUME CONTROL.....	67
TABLE 79.	INDEX-20XXH: ALC DAC DIGITAL VOLUME.....	67
TABLE 80.	INDEX-21H: AUTO VOLUME CONTROL REGISTER 1.....	68
TABLE 81.	INDEX-22H: AUTO VOLUME CONTROL REGISTER 2.....	69
TABLE 82.	INDEX-23H: AUTO LEVEL CONTROL REGISTER 3.....	71
TABLE 83.	INDEX-4AH: CLASS-D INTERNAL REGISTER.....	71
TABLE 84.	REG-7CH: VENDOR ID 1.....	72
TABLE 85.	ABSOLUTE MAXIMUM RATINGS.....	73
TABLE 86.	RECOMMENDED OPERATING CONDITIONS.....	73
TABLE 87.	STATIC CHARACTERISTICS.....	73
TABLE 88.	ANALOG PERFORMANCE CHARACTERISTICS.....	74
TABLE 89.	THERMAL INFORMATION.....	76
TABLE 90.	I ² C TIMING.....	77
TABLE 91.	TIMING OF I ² S/PCM MASTER MODE.....	78
TABLE 92.	I ² S/PCM SLAVE MODE TIMING.....	79
TABLE 93.	ORDERING INFORMATION.....	82

List of Figures

FIGURE 1.	BLOCK DIAGRAM	2
FIGURE 2.	AUDIO MIXER PATH	3
FIGURE 3.	PIN ASSIGNMENTS	4
FIGURE 4.	AUDIO SYSCLK	9
FIGURE 5.	PCM MONO DATA MODE A FORMAT (BCLK POLARITY=0)	11
FIGURE 6.	PCM MONO DATA MODE A FORMAT (BCLK POLARITY=1)	12
FIGURE 7.	PCM MONO DATA MODE B FORMAT (BCLK POLARITY=0)	12
FIGURE 8.	PCM STEREO DATA MODE A FORMAT (BCLK POLARITY=0)	12
FIGURE 9.	PCM STEREO DATA MODE B FORMAT (BCLK POLARITY=0)	13
FIGURE 10.	I ² S DATA FORMAT (BCLK POLARITY=0)	13
FIGURE 11.	LEFT-JUSTIFIED DATA FORMAT (BCLK POLARITY=0)	13
FIGURE 12.	AUTO LEVEL CONTROL BLOCK DIAGRAM.....	17
FIGURE 13.	ALC FOR PLAYBACK MODE	18
FIGURE 14.	ALC FOR RECORDING MODE.....	19
FIGURE 15.	RATIO GAIN FOR SPKVDD AND AVDD	20
FIGURE 16.	DATA TRANSFER OVER I ² C CONTROL INTERFACE	22
FIGURE 17.	IRQ/JACK DETECTION FUNCTION BLOCK	24
FIGURE 18.	I ² C CONTROL INTERFACE	77
FIGURE 19.	TIMING OF I ² S/PCM MASTER MODE	78
FIGURE 20.	I ² S/PCM SLAVE MODE TIMING	79
FIGURE 21.	APPLICATION CIRCUIT	80
FIGURE 22.	PACKAGE DIMENSION.....	81

1. General Description

The ALC5631Q is a high performance and powerful I²S codec for portable devices.

Multi-function configuration for input and output port can flexible for using. Differential input mode can effective to cancel the common-mode noise for input signal. And single-ended input mode can easy be used for external income signal. With wide range volume control can be used for each path whether analog to digital path, analog to analog path or digital to analog path. An analog input to analog output path is bypass ADC and DAC that can keep original performance to output for income signal. In this bypass mode, can into the ultra low power mode by shutdown unused block.

The powerful Auto-Level-Control (ALC) function is for playback and record. For playback, it will keep the same output level when different input level. And prevent the output signal be clipped when speaker power is dropping or huge input signal. For record, it can effective to reduce the background noise for voice recording.

Wide range power supply and low power consumption on ALC5631Q is suitable for portable devices. Also 48-ball QFN (6mm x 6mm) package is used by ALC5631Q.

2. Features

- Digital-to-Analog Converter with 100dBA SNR and -90dB THD+N
- Analog-to-Digital Converter with 93dBA SNR and -88dB THD+N
- Stereo BTL (Bridge-Tied Load) Class-D amplifier and with 650mW/Ch output power (SPKVDD=3.6V, THD = 1%, 8Ω load)
- Stereo headphone output and without DC blocking capacitors. (With 45mW/Ch driving power, 3.3V, 16Ω load)
- 3 analog differential inputs and 1 stereo single-ended input
- Stereo differential analog microphone inputs with boost pre-amplifiers and low noise microphone bias
- Differential earpiece Amp output
- Stereo single-end or one differential line output
- Audio jack insert detection and microphone switch detection
- Power management and enhanced power saving
- Support flexible digital 6 bands equalizer (EQ)
- Support digital spatial sound and pseudo stereo effect
- Zero detection and soft volume for pop noise suppression
- Inside PLL can receive wide range clock input
- Support I²C Control Interface
- 24bit/8kHz ~ 192kHz I²S/PCM interface for stereo DAC
- 24bit/8kHz ~ 96kHz I²S/PCM interface for stereo ADC
- Support enhanced Auto Level Control (ALC) function for playback and record
- Support digital microphone interface
- QFN-48 (6mm x 6mm) package

3. System Application

- Smartbook
- Netbook

4. Function Block and Mixer Path

4.1. Function Block

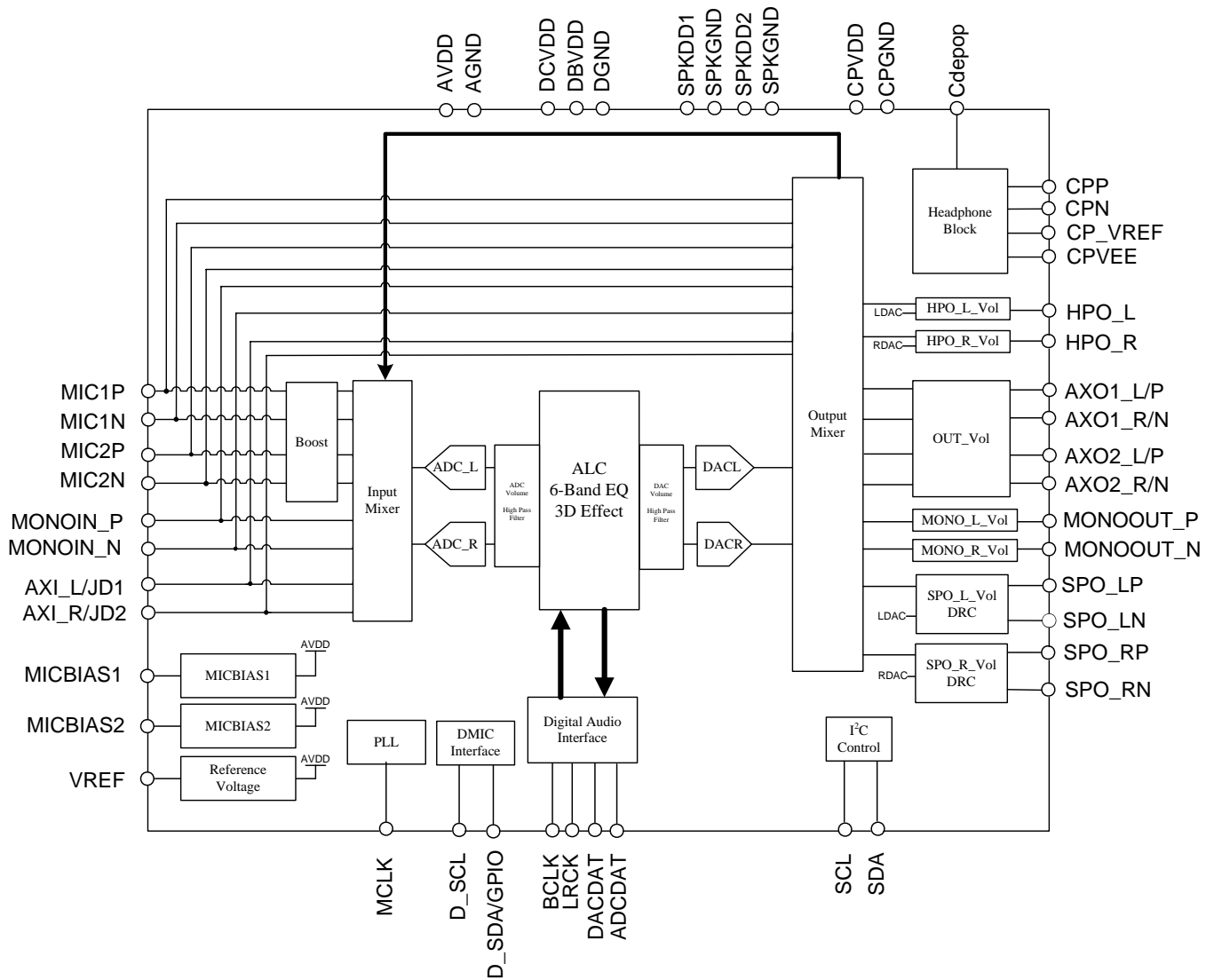


Figure 1. Block Diagram

4.2. Audio Mixer Path

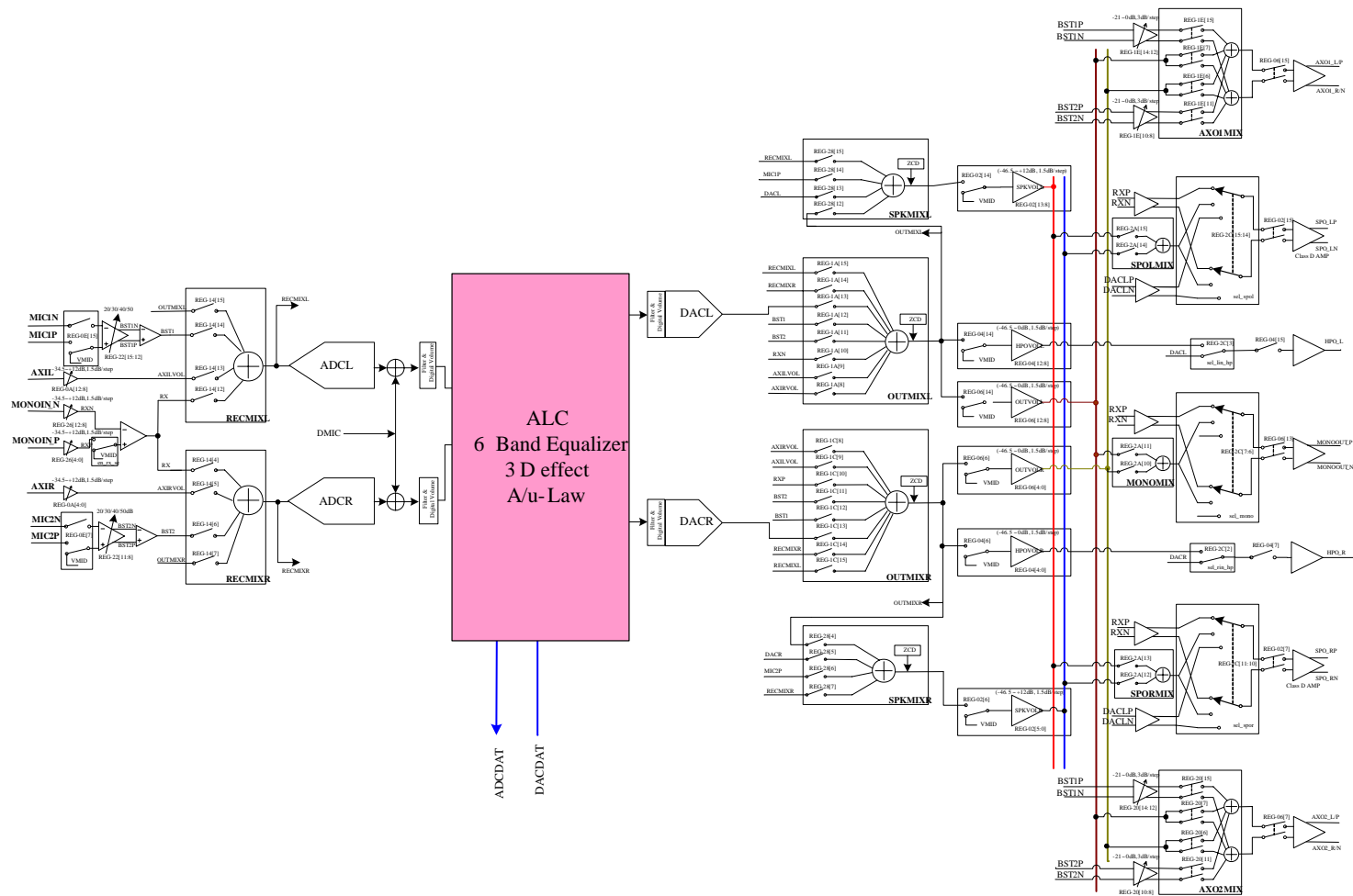


Figure 2. Audio Mixer Path

5. Pin Assignments

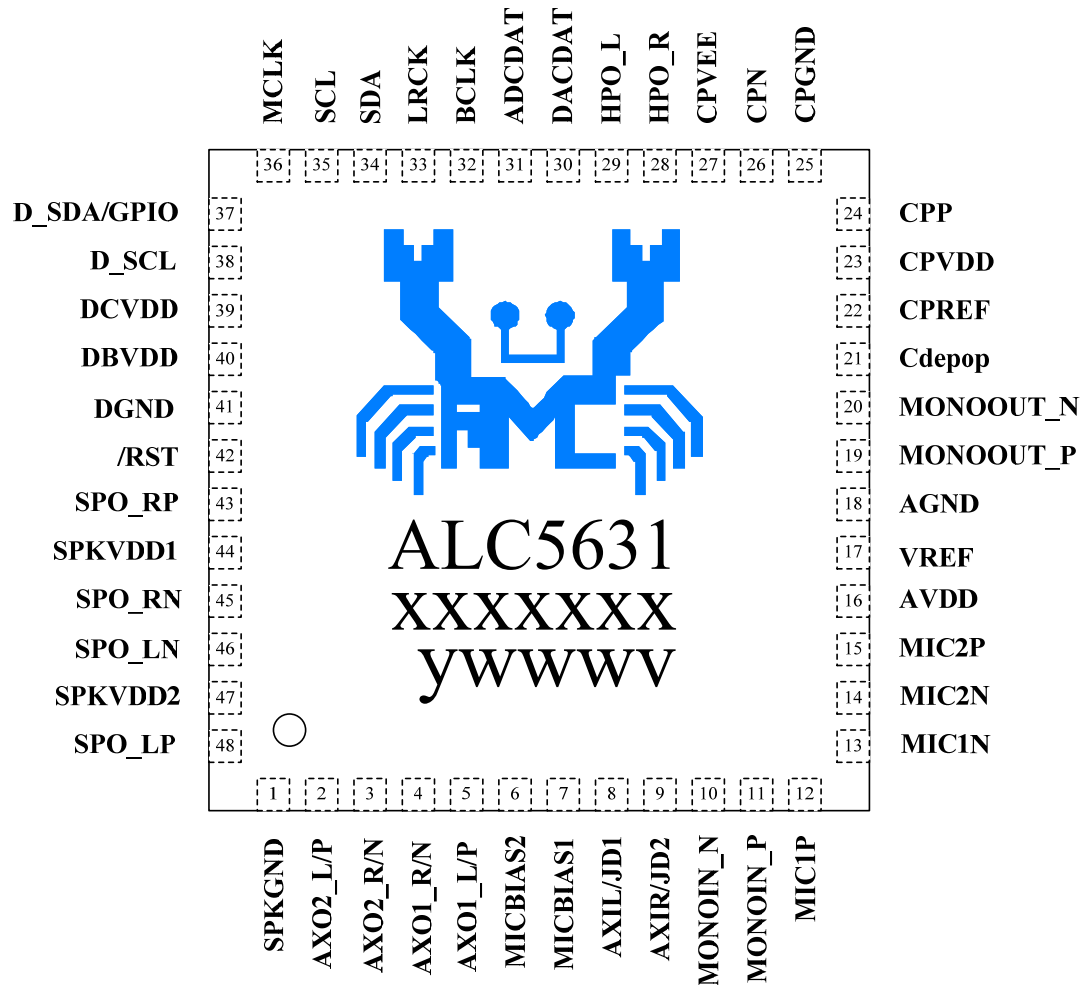


Figure 3. Pin Assignments

5.1. Green Package and Version Identification

Green package is indicated by a 'G' in the location marked 'y' in Figure 3. The version number is shown in the location marked 'v'.

6. Pin Descriptions

6.1. Digital I/O Pins

Table 1. Digital I/O Pins

Name	Type	Pin	Description	Characteristic Definition
DACDAT	I	30	Serial I ² S data input	Schmitt trigger ($V_{IL}=0.35*DBVDD$, $V_{IH}=0.65*DBVDD$)
ADCDAT	O	31	Serial I ² S data output	$V_{OL}=0.1*DBVDD$, $V_{OH}=0.9*DBVDD$
BCLK	I/O	32	I ² S interface serial bit clock	Master: $V_{OL}=0.1*DVDD$, $V_{OH}=0.9*DVDD$ Slave: Schmitt trigger
LRCK	I/O	33	I ² S interface synchronous signal	Master: $V_{OL}=0.1*DVDD$, $V_{OH}=0.9*DVDD$ Slave: Schmitt trigger
SDA	I/O	34	I ² C serial data	Open drain structure
SCL	I	35	I ² C clock input	Schmitt trigger ($V_{IL}=0.35*DBVDD$, $V_{IH}=0.65*DBVDD$)
MCLK	I	36	I ² S master clock input	Schmitt trigger ($V_{IL}=0.35*DBVDD$, $V_{IH}=0.65*DBVDD$)
DMIC_SDA /GPIO	I/O	37	Digital microphone data General purpose input and output	Input: Schmitt trigger ($V_{IL}=0.35*DBVDD$, $V_{IH}=0.65*DBVDD$) Output: $V_{OL}=0.1*DBVDD$, $V_{OH}=0.9*DBVDD$
DMIC_SCL	O	38	Digital microphone clock	Output: $V_{OL}=0.1*DBVDD$, $V_{OH}=0.9*DBVDD$
/RST	I	42	Hardware reset	Schmitt trigger ($V_{IL}=0.35*DBVDD$, $V_{IH}=0.65*DBVDD$)
				Total: 10 Pins

6.2. Analog I/O Pins

Table 2. Analog I/O Pins

Name	Type	Pin	Description	Characteristic Definition
AXO2_L/P	O	2	Auxiliary output 2 Left output channel Differential positive output channel	Analog output
AXO2_R/N	O	3	Auxiliary output 2 Right output channel Differential negative output channel	Analog output
AXO1_R/N	O	4	Auxiliary output 1 Right output channel Differential negative output channel	Analog output
AXO1_L/P	O	5	Auxiliary output 1 Left output channel Differential positive output channel	Analog output
AXIL/JD1	I	8	Auxiliary left channel input / Jack detection pin 1	Analog input JD threshold: Vil = 0.4V Vih = 1.5V
AXIR/JD2	I	9	Auxiliary right channel input / Jack detection pin 2	Analog input JD threshold: Vil = 0.4V Vih = 1.5V
MONOIN_N	I	10	Mono negative differential input	Analog input
MONOIN_P	I	11	Mono positive differential input	Analog input
MIC1P	I	12	Positive differential input for MIC1	Analog input
MIC1N	I	13	Negative differential input for MIC1	Analog input
MIC2N	I	14	Negative differential input for MIC2	Analog input
MIC2P	I	15	Positive differential input for MIC2	Analog input
MONOOUT_P	O	19	Positive channel output for Mono Amp	Analog output
MONOOUT_N	O	20	Negative channel output for Mono Amp	Analog output
HPO_R	O	28	Right channel for headphone output	Analog output
HPO_L	O	29	Left channel for headphone output	Analog output
SPO_RP	O	43	Right positive speaker output	Analog output
SPO_RN	O	45	Right negative speaker output	Analog output
SPO_LN	O	46	Left negative speaker output	Analog output
SPO_LP	O	48	Left positive speaker output	Analog output
				Total: 20 Pins

6.3. Filter/Reference

Table 3. Filter/Reference

Name	Type	Pin	Description	Characteristic Definition
MICBIAS2	O	6	Bias voltage output for MIC2	Programmable analog DC output
MICBIAS1	O	7	Bias voltage output for MIC1	Programmable analog DC output
VREF	O	17	Internal reference voltage	4.7uf capacitor to analog ground
Cdepop	O	21	Headphone de-pop capacitor	1.0uf capacitor to analog ground
CPREF	-	22	0V Reference voltage	Analog ground
CPP	-	24	Charge pump bucket capacitor	2.2uf capacitor to CBN
CPN	-	26	Charge pump bucket capacitor	2.2uf capacitor to CBP
				Total: 7 Pins

6.4. Power/Ground

Table 4. Power/Ground

Name	Type	Pin	Description	Characteristic Definition
SPKGND	P	1	Speaker ground	
AVDD	P	16	Analog power	2.3V~3.6V
AGND	P	18	Analog ground	
CPVDD	P	23	Charge pump power	2.3V~3.6V
CPGND	P	25	Charge pump ground	
CPVEE	P	27	Charge pump negative voltage output	2.2uf capacitor to analog ground
DCVDD	P	39	Digital core power	1.71V~3.6V
DBVDD	P	40	Digital I/O power	1.71V~3.6V
DGND	P	41	Digital ground	
SPKVDD1	P	44	Speaker AMP power	3.0V~5.0V
SPKVDD2	P	47	Speaker AMP power	3.0V~5.0V
				Total: 11 Pins

7. Function Description

7.1. Power

There are different power types in ALC5631Q. DBVDD is for digital I/O power, DCVDD is for digital core power, AVDD is for analog power, CPVDD is for charge pump power and SPKVDD is for speaker amplifier power.

The power supplier limit condition are $DBVDD \geq DCVDD$ and $SPKVDD \geq AVDD = CPVDD$, $AVDD \geq DCVDD$, and for the best performance, our design setting is show on below.

Table 5. Power Supply for Best Performance

Power	DBVDD	DCVDD	AVDD	CPVDD	SPKVDD
Setting	3.3V	3.3V	3.3V	3.3V	4.2V

Table 6. Power Supply for Leakage Current

Supply Condition	DBVDD	DCVDD	AVDD	CPVDD	SPKVDD	Total Leakage Current
1	Supplied	Supplied	Supplied	Supplied	Supplied	< 11uA
2	N/A	N/A	N/A	N/A	Supplied	< 11uA

*For other supply conditions, the total leakage current will large than 11uA. We don't recommend these supply conditions other than Table 6 listed.

7.2. Reset

There are 3 types of reset operation: hardware reset, power on reset (POR) and register reset.

Table 7. Reset Operation

Reset Type	Trigger Condition	CODEC Response
H/W Reset	Control /RST pin from high to low	Reset all hardware logic and all registers to default values.
POR	Monitor digital power supply voltage reach V_{POR}	Reset all hardware logic and all registers to default values.
Register Reset	Write REG-00h	Reset all registers to default values except some specify control registers and logic.

7.2.1. Power-On Reset (POR)

When powered on, DCVDD passes through the V_{POR} band of the ALC5631Q ($V_{POR_ON} \sim V_{POR_OFF}$). A power on reset (POR) will generate an internal reset signal (POR reset 'LOW') to reset the whole chip.

Table 8. Power-On Reset Voltage

Symbol	Min	Typical	Max	Unit
V_{POR_ON}	1.0	-	1.6	V
V_{POR_OFF}	-	1.3	-	V

Note: V_{POR_OFF} must be below V_{POR_ON} .

7.2.2. H/W Reset

When control /RST pin from high to low, it will reset all hardware logic and reset the registers to default values. The /RST is a Schmitt trigger input. The V_{IL} is equal to $0.35 * DBVDD$ and V_{IH} is equal to $0.65 * DBVDD$.

7.2.3. Software Reset

When REG-00h is wrote, all registers become to default value.

7.3. Clocking

The system clock of ALC5631Q can be selected from MCLK or PLL. This means MCLK is always provided externally, and the driver should arrange the clock of each block and setup each divider.

The system clock of ALC5631Q can be selected from MCLK or PLLs. MCLK is always provided externally while the reference clock of PLLs can be selected from MCLK, BCLK. The driver should arrange the clock of each block and setup each divider.

The Main $I2S_SYSCLK = 256 * F_s(\text{main})$ provides clocks into stereo DAC/ADC that can be selected from MCLK or PLL. Refer to

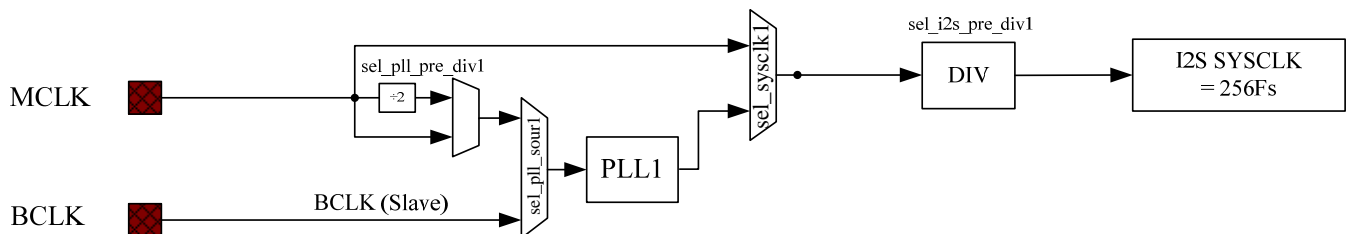


Figure 4. Audio SYSCLK

7.3.1. Phase-Locked Loop

A Phase-Locked Loop (PLL) is used to provide a flexible input clock from 2.048MHz to 40MHz. The source of the PLL can be set to MCLK or BCLK by setting register.

The driver can set up the PLL to output a frequency to match the requirement of Main I2S SYSCLK.

The PLL transmit formula is:

$$F_{OUT} = (MCLK * (N+2)) / ((M+2) * (K+2)) \{ \text{Typical } K=2 \}$$

Table 9. Clock Setting Table for 48K (Unit: MHz)

MCLK	N	M	F _{VCO}	K	F _{OUT}
13	66	7	98.222	2	24.555
3.6864	78	1	98.304	2	24.576
2.048	94	0	98.304	2	24.576
4.096	70	1	98.304	2	24.576
12	80	8	98.4	2	24.6
15.36	81	11	98.068	2	24.517
16	78	11	98.462	2	24.615
19.2	80	14	98.4	2	24.6
19.68	78	14	98.4	2	24.6

Table 10. Clock Setting Table for 44.1K (Unit: MHz)

MCLK	N	M	F _{VCO}	K	F _{OUT}
13	68	8	91	2	22.75
3.6864	72	1	90.931	2	22.733
2.048	86	0	90.112	2	22.528
4.096	64	1	90.112	2	22.528
12	66	7	90.667	2	22.667
15.36	63	9	90.764	2	22.691
16	66	10	90.667	2	22.667
19.2	64	12	90.514	2	22.629
19.68	67	13	90.528	2	22.632

After a POR Reset, PLL related Registers are reset to default values, however, they are not reset to default values after a soft-reset (write REG-00).

7.3.2. I²C and Stereo I²S

The ALC5631Q supports I²C for the digital control interface, and has I²S/PCM for the digital data interface. The I²S/PCM audio digital interface is used to input data to a stereo DAC or output data from a stereo ADC. The I²S/PCM audio digital interface can be configured to Master mode or Slave mode.

Master Mode

In master mode BCLK and LRCK are configured as output. When MCLK is used as I2S SYSCLK source, PLL can be disabled and sel_sysclk1=00'b, . When PLL output is used as I2S SYSCLK source PLL enabled and sel_sysclk1=01'b, MCLK is suggested to provide frequency from 2.048MHz to 40MHz., and PLL should be configured to support .256 or 512*Fs. The driver should set each divider (Reg42 and Reg38) to arrange the clock distribution. Refer to section TBD for details.

Slave Mode

In slave mode BCLK and LRCK are configured as input. The SYSCLK can be input from MCLK by provide the BCLK synchronized clock externally. And the driver should set each divider to arrange the clock distribution. Refer to section TBD for details.

7.4. Digital Data Interface

7.4.1. Stereo I²S/PCM Interface

The stereo I²S/PCM interface can be configured as master mode or slave mode. Four audio data formats are supported:

- PCM mode
- Left justified mode
- I²S mode

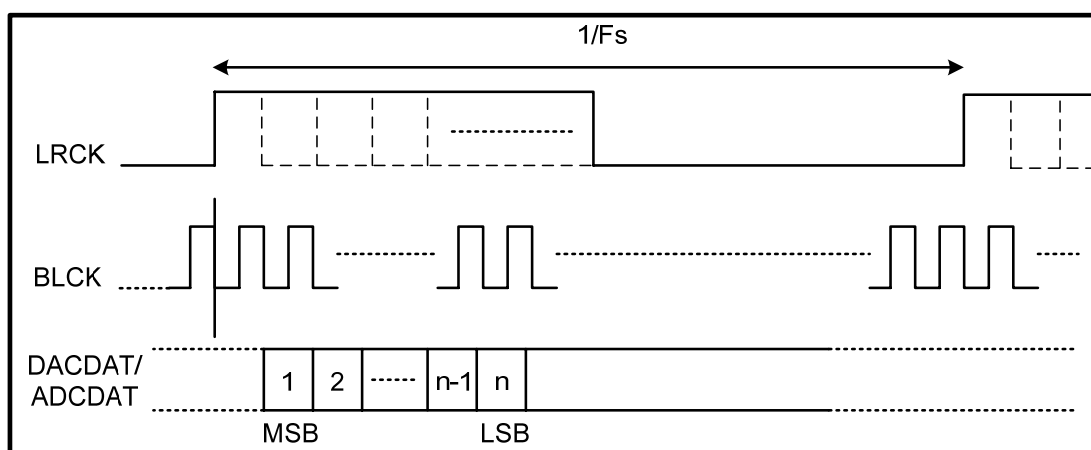


Figure 5. PCM MONO Data Mode A Format (BCLK POLARITY=0)

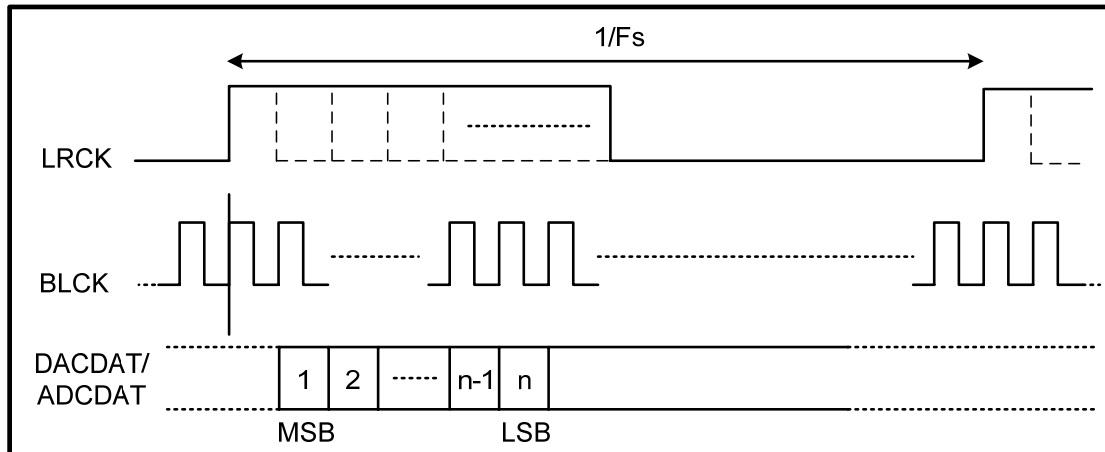


Figure 6. PCM MONO Data Mode A Format (BCLK POLARITY=1)

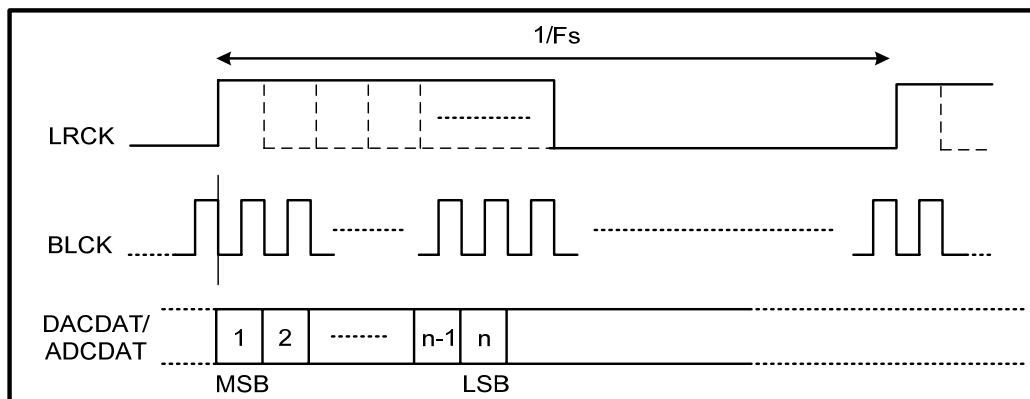


Figure 7. PCM MONO Data Mode B Format (BCLK POLARITY=0)

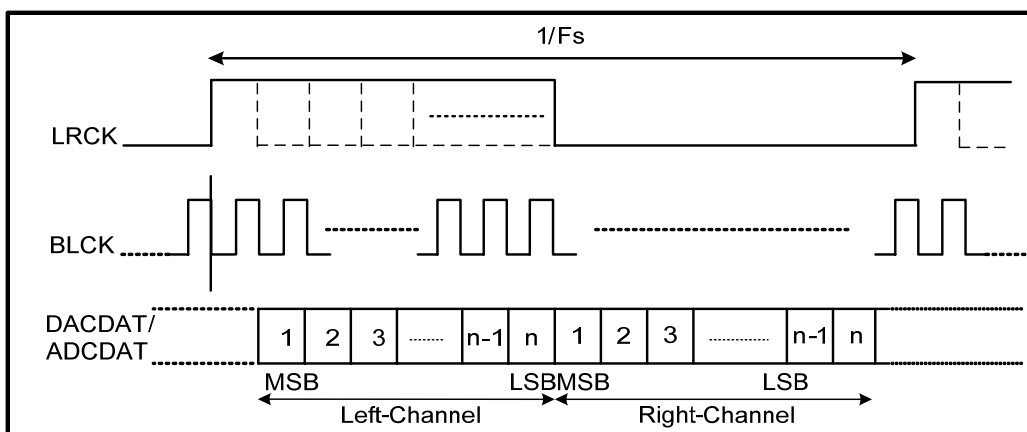


Figure 8. PCM Stereo Data Mode A Format (BCLK POLARITY=0)

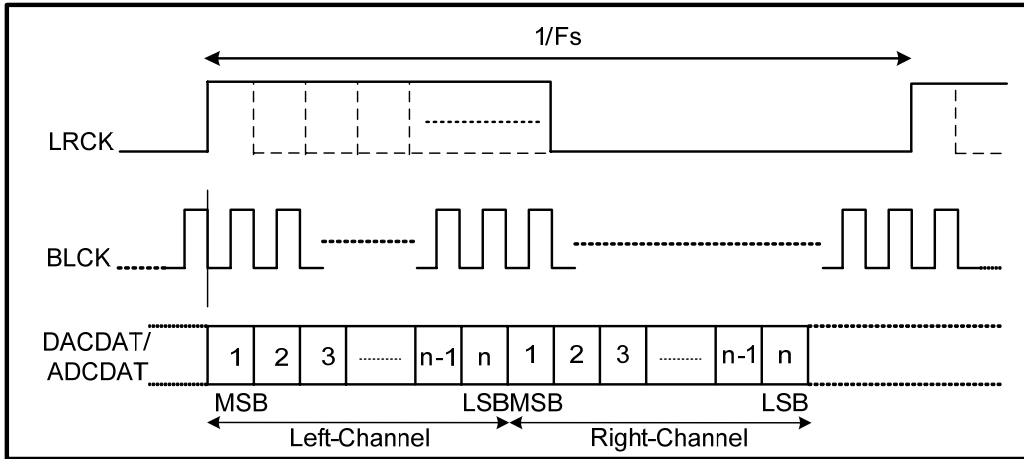


Figure 9. PCM Stereo Data Mode B Format (BCLK POLARITY=0)

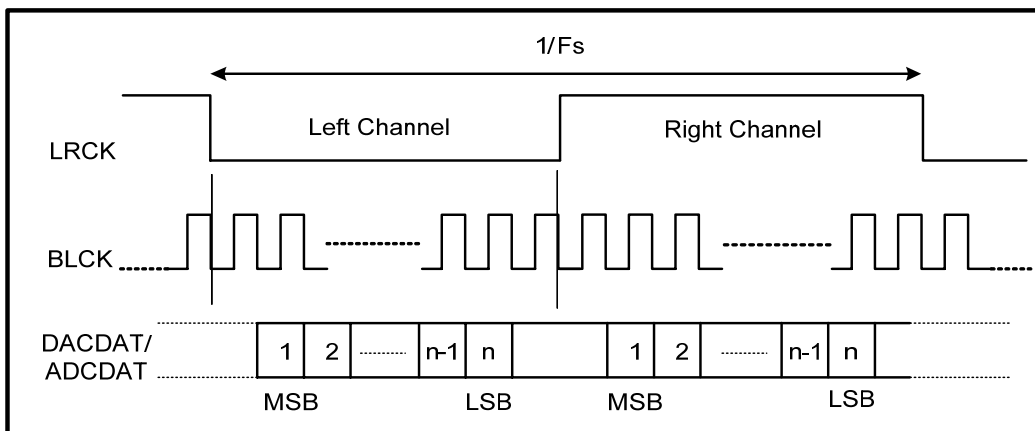


Figure 10. I²S Data Format (BCLK POLARITY=0)

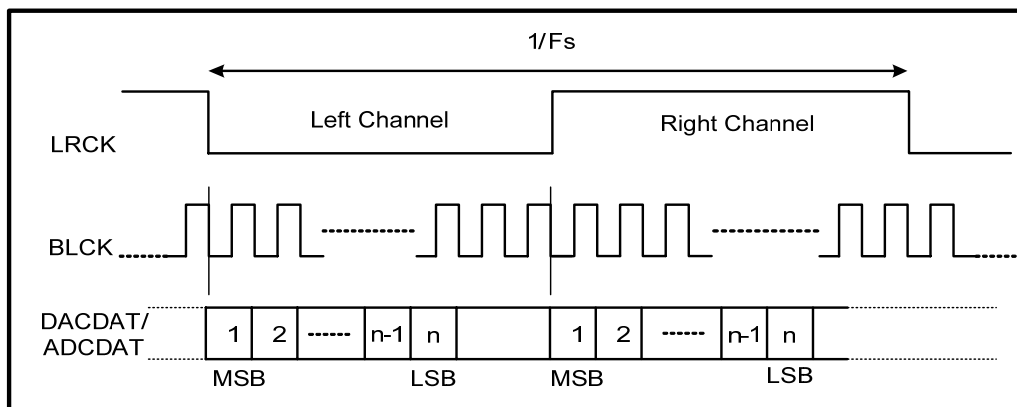


Figure 11. Left-Justified Data Format (BCLK POLARITY=0)

7.5. Audio Data Path

The ALC5631Q provides 2-channel stereo audio DAC for playback and 2-channel ADC for recording.

7.5.1. Stereo ADC

The stereo ADC is a high performance ADC. The full scale input of ADC is 1V_{rms} at AVDD is 3.3V. In order to save power, the left and right ADC can be powered down separately by setting `pow_adc_l` and `pow_adc_r`. The volume control of the stereo ADC is also can set by `vol_adc_l` and `vol_adc_r`.

7.5.2. Stereo DAC

The stereo DAC is a high performance DAC. The sampling rate can be configured by setting the stereo I²S clock divider(Reg-38). The volume control of the stereo DAC is set by `vol_dac_l` and `vol_dac_r`.

`pow_dac_l` can be enabled Left channel of DAC whilt `pow_dac_r` can be enabled Right channel of DAC,

7.5.3. Mixers

There are five digital/analog mixers in ALC5631Q.

- **Output mixer - OUTMIXL/R**

The stereo analog mixer can do mixing for DAC output and analog input. The mixer output is mainly for headphone output. Each input path has it's mute function to the mixer block in Reg-1A and Reg-1C. `pow_outmix` and `pow_outmixr` can be used to power on/off OUTMIXL/R

- **Speaker mixer – SPKMIXL/R**

The stereo analog mixer can do mixing for OUTMIX output and analog input. The mixer output is for speaker output. Each input path has it's mute function to the mixer block in Reg-28. `pow_spkmixl` and `pow_spkmixr` can be used to power on/off SPKMIXL/R.

- **AUX_Out mixer – AXO1/2MIX**

The stereo analog mixer can do mixing for analog input and DAC output. The mixer output is for line-out output for drive external amplifier. Each input path has individual mute function to the mixer block in Reg-1E. `pow_axo1` and `pow_axo2` can be used to power on/off AXOMIX.

- **Record mixer – RECMIXL/R**

The stereo analog mixer can do mixing for analog input and OUTMIX output. The mixer output is for ADC input. Each input path has it's mute function to the mixer block in Reg-14. `pow_recmixl` and `pow_recmixr` can be used to power on/off RECMIXL/R

- **DMIC mixer – DMICMIX**

The stereo digital mixer can do mixing for digital microphone input and ADC output. The mixer output is digital data and send to I2S output. `en_dmic` can be used to power on/off DMICMIX.

Each mixer has its power down control by register. And can power down single channel of stereo mixer independent. It can be easy to control the power management to achieve enhanced power saving.

7.6. Analog Audio Input Path

The ALC5631Q supports four analog audio input ports:

- **MIC1P/N**

The microphone input port-1 can be configured as mono differential input or mono single-ended input by REG-0E[15]. The microphone input port has its microphone bias and microphone boost. High performance microphone bias can improve the recording performance and increase the microphone sensitivity. Multi-steps microphone boost gain set by sel_bst1 can be easy to use for microphone application.

pow_mic1 can be used to power down the MIC1 boost while pow_micbias1 can be used to power down the microphone bias of MIC1.

- **MIC2P/N**

The microphone input port-2 can be configured as mono differential input or mono single-ended input by REG-0E[7]. The microphone input port has its microphone bias and microphone boost. High performance microphone bias can improve the recording performance and increase the microphone sensitivity. Multi-steps microphone boost gain set by sel_bst2 can be easy to use for microphone application.

pow_mic2 can be used to power down the MIC2 boost while pow_micbias2 can be used to power down the microphone bias of MIC2.

- **AXIL/R**

The input port is a stereo single-ended input. It has input volume for tuning. The volume range is from +12dB to -34.5dB and with 1.5dB/step. set by REG-0A[12:8] and REG-0A[4:0].

pow_axi_vol_l and pow_axi_vol_r can be used to power down AXIL/R Volume control.

- **MONOIN_P/N**

This input port can be configured as mono differential input or mono single-ended input by en_rx_df.. The input port can be direct bypass to mono AMP output or speaker AMP output and don't need through the internal mixer. It can keep the original performance and minimize the power consumption of inter-chip. The differential input mode can be effective to reduce the common-mode noise produced by external device and external PCB trace. It also has input volume control and with +12dB to -34.5dB,

1.5dB/step volume range controlled by REG-26[12:8] and REG-26[4:0].

7.7. Analog Audio Output Path

The ALC5631Q supports four type output paths:

- **SPO_L/R_P/N**

The speaker output of ALC5631Q is a stereo BTL output with Class-D type amplifier. The power of speaker amplifier is an individual power pin and higher than AVDD. So the input and output of speaker amplifier has a gain ratio to enlarge or reduce the income analog signal. The gain ratio setting can be controlled by auto-mode or manual-mode(en_spk_auto_ratio). The input source of the speaker output port can select from analog input , SPOLMIX or DAC output setting REG-2C[15:14]. The front stage of speaker output has volume control and the volume range is from +12dB to -46.5dB with 1.5dB/step controlled by REG-02[13:8] and REG-02[5:0].

pow_spo_vol_l and pow_spo_vol_r can be used to power on/off SPKVOLL and SPKVOLR and pow_clsd can be used to power on/off SPO_L/R_P/N

- **HPO_L/R**

The headphone output of ALC5631Q is a stereo output and with cap-free type headphone amplifier. It didn't need to connect external cap. and can connect to earphone device directly. The headphone output's source can select from output mixer (OUTMIX) or DAC direct output by REG-2C[2:3]. The front stage of headphone output has volume control and the volume range is from 0dB to -46.5dB with 1.5dB/step. by REG-04[12:8] and REG-04[4:0]

pow_l_hp and pow_r_hp can be used to power on/off Headphone Amplifier while pow_hpo_vol_l and pow_hpo_vol_r can be used to power on/off headphone volume control. In addition, pow_cp_hp can be used to power on/off charge pump circuit for Headphone amplifier.

- **MONOOUT_P/N**

The mono output is a differential output and with Class-AB type amplifier. The mono output's source can select from analog input or mono mixer (MONOMIX) by setting REG-2C[7:6]. The mono mixer (MONOMIX) is mixing channel left and channel right from output mixer (OUTMIX) by setting REG-2A[11:10]. The front stage of mono output has volume control (OUTVOLL/R) and the volume range is from 0dB to -46.5dB with 1.5dB/step by REG-06[12:8] and REG-06[4:0]...

- **AXO1/2_L/R/P/N**

The output type is line output. The output can configure as differential or single-ended. So there are two types for this output: one stereo differential output or two stereo single-ended outputs. The input

can select from analog input with 0dB to -21dB, 3dB/step volume by REG-1E[14:12][10:8] and REG-20[14:12][10:8] or volume control (OUTVOLL/R) with 0dB to -46.5dB, 1.5db/step by REG-06[12:8] and REG-06[4:0]...

7.8. ALC Function

The Automatic Level Control (ALC) function is dynamically adjusts the input signal by ALC block to let the output signal to achieve the target level. The ALC5631Q supports playback ALC for DAC and record ALC for ADC.

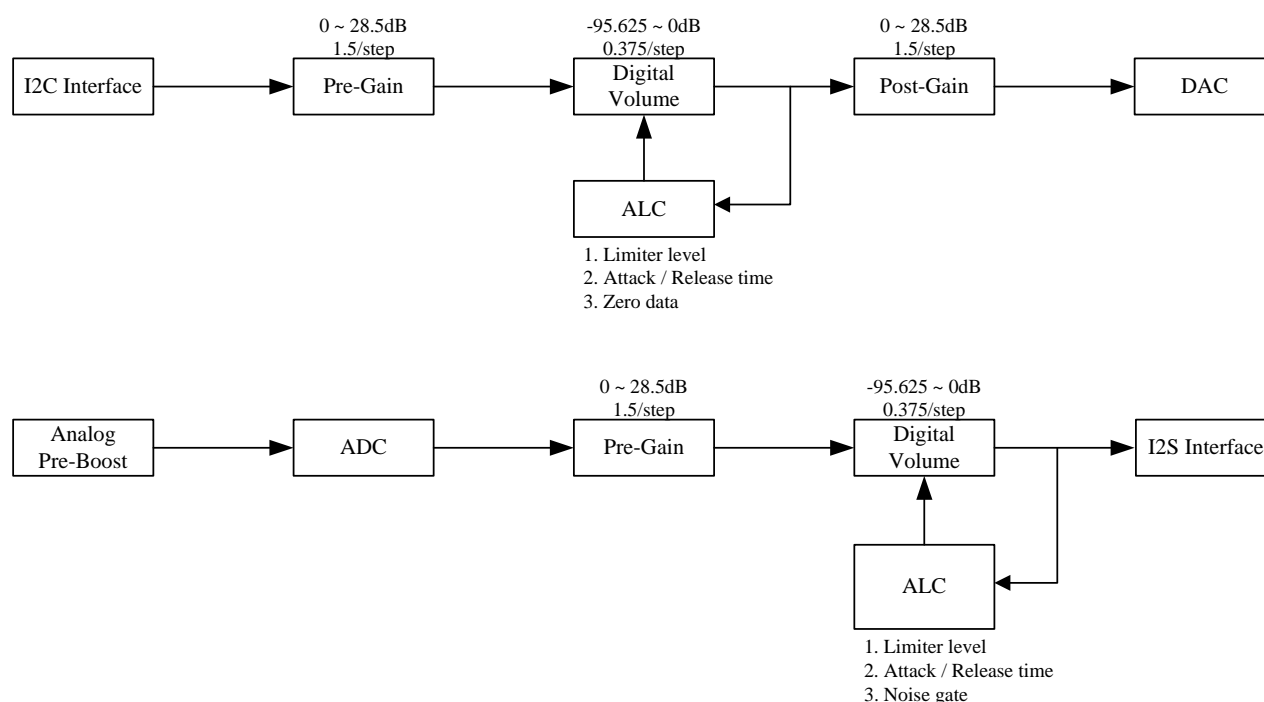


Figure 12. Auto Level Control Block Diagram

Playback Mode:

For DAC playback mode, when the input signal exceeds target threshold (sel_alc_thmax), the signal will decrease “ALC Digital Volume” (0.375dB/step at every zero-crossing) until drop to target level then keep the digital volume. When input signal is below the target threshold, the signal will step-up “ALC Digital Volume” (0.375dB/step every zero-crossing) until return to original level. If want to return to the target level, need to set the pre-gain to achieve.

Fine tune parameters:

- Limiter Threshold: 0 ~ -46.5dB, 1.5dB/step by sel_alc_thmax
- Attack Rate: $T=(4*2^n)/\text{sample rate}$, $n=\text{REG0x64}[12:8] : \text{sel_alc_atk}$
- Recovery Rate: $T=(4*2^n)/\text{sample rate}$, $n=\text{REG0x64}[4:0] : \text{sel_rc_rate}$

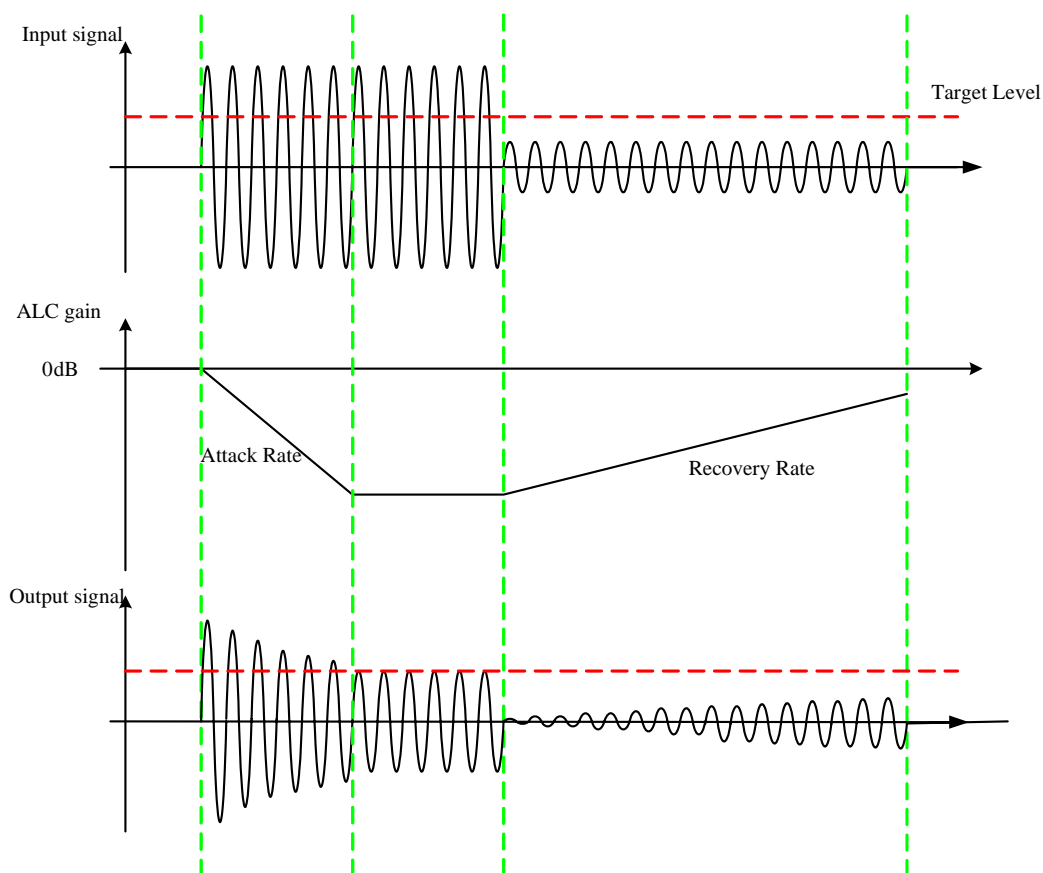


Figure 13. ALC for Playback Mode

Recording Mode:

For ADC recording mode, when the input signal exceeds target threshold (`sel_alc_thmax`), the signal will decrease “ALC Digital Volume” (0.375dB/step at every zero-crossing) until drop to target level then keep the digital volume. When input signal is below the target threshold, the signal will step-up “ALC Digital Volume” (0.375dB/step every zero-crossing) until return to original level. If want to return to the target level, need to set the pre-gain to achieve.

When input signal is below noise gate (`sel_alc_noise_th`), the input signal will be reduced and to suppress the background noise. The reducing level can be set by `noise_gate_boost`. And when input signal is above noise gate, the input signal will be boosted to target level.

Fine tune parameters:

- Limiter Threshold: 0 ~ -46.5dB, 1.5dB/step by `sel_alc_thmax`

- Attack Rate: $T=(4*2^n)/\text{sample rate}$, $n=\text{REG0x64}[12:8] : \text{sel_alc_atk}$
- Recovery Rate: $T=(4*2^n)/\text{sample rate}$, $n=\text{REG0x64}[12:8] : \text{sel_rc_rate}$
- Noise Gate Threshold: -36 ~ -82.5dB, 1.5dB/step by `sel_alc_noise_th`
- Reducing Noise Level: 0 ~ 45dB, 3dB/step by `noise_gate_boost`

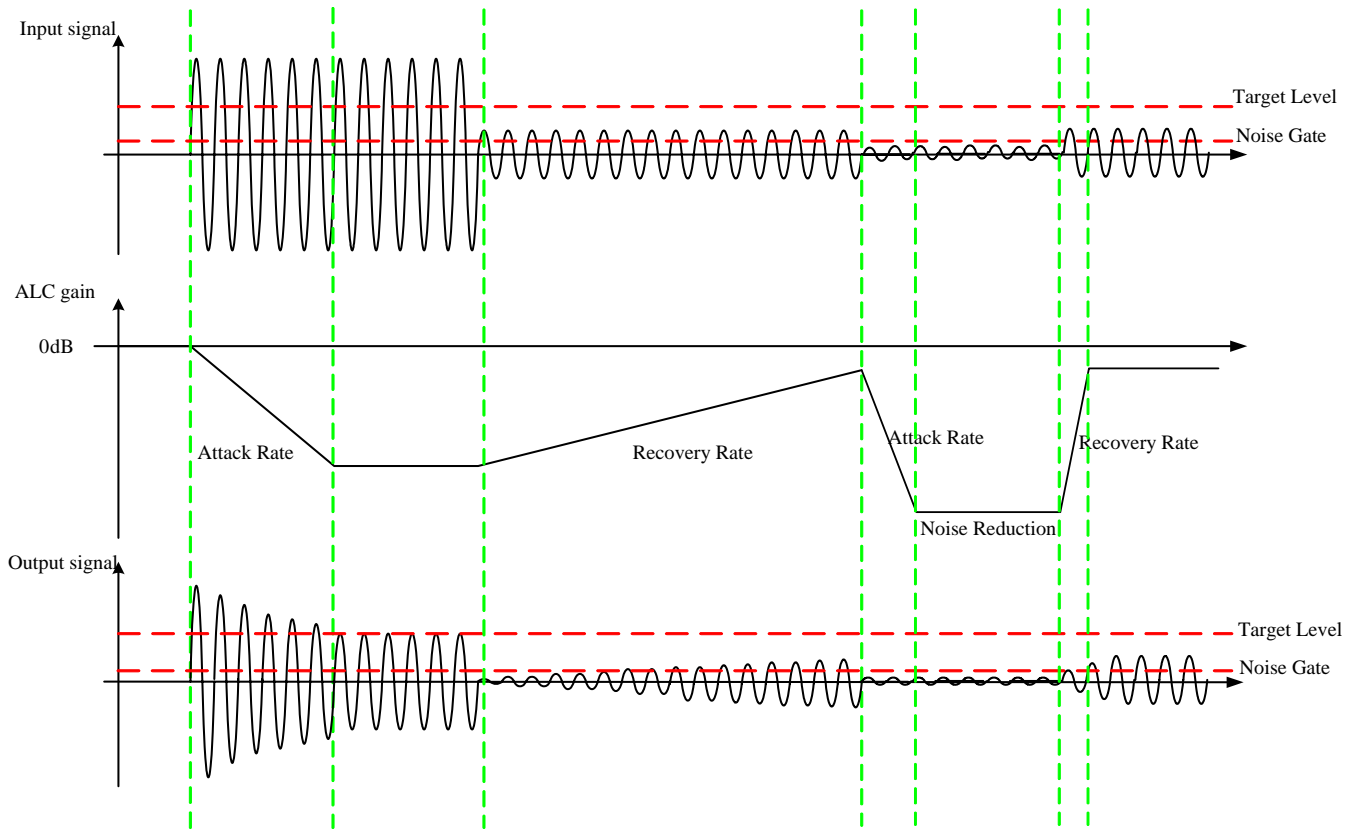


Figure 14. ALC for Recording Mode

7.9. Speaker Amplifier Ratio Gain

Owing to speaker power (SPKVDD) and analog power (AVDD) is different power domain. And normally the speaker power is higher than analog power. So the audio input signal is need to be boost or reduce by a gain and then output from speaker amplifier. When SPKVDD is dropping, the gain need to be reduced to prevent the signal is clipped. And when SPKVDD is rising, the gain need to be boosted to prevent the signal is to small. en_spk_auto_ratio is used to enable speaker amplifier auto gain ratio.

Table 11. Ration Gain Table for SPKVDD

	AVDD = 2.5V	AC Ratio Gain	Setting	Gain (dB)
SPKVDD	5.86 V	2.34	111'b	7.400227
	4.99 V	2.00	110'b	5.999729
	4.20 V	1.68	101'b	4.506186
	3.90 V	1.56	100'b	3.862492
	3.60 V	1.44	011'b	3.16725
	3.18 V	1.27	010'b	2.1
	2.74 V	1.10	001'b	0.8
	2.50 V	1.00	000'b	0

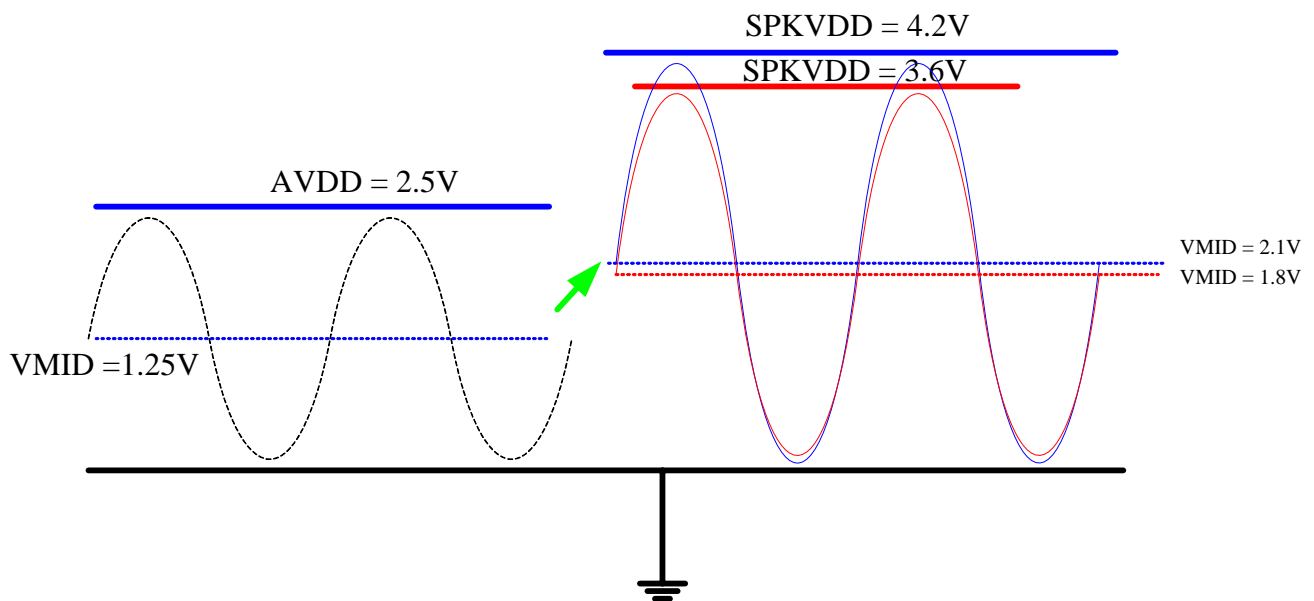


Figure 15. Ratio Gain for SPKVDD and AVDD

7.10. Hardware Sound Processing

The Sound Effect block is composed of Pseudo Stereo, Spatial 3D, and Equalizer blocks. The Pseudo Stereo block is used to convert a MONO source into virtualized stereo output. The Spatial 3D block is a surround sound generator with adjustable amplitude (Gain) and surround depth (Ratio). The Equalizer block can be used to compensate for speaker response, or to make environment sound effects, e.g., ‘Pub’, ‘Live’, ‘Rock’,... etc..

7.10.1. Equalizer Block

The equalizer block cascades 6 bands of equalizer to compensate for speaker response and to emulate environment sound. The 6 bands equalizer are include two high pass filter, three band pass filter and one low pass filter. One high pass filter cascaded in the front end is used to drop low frequency tone, the tone has a large amplitude and may damage a mini speaker.

The high pass filter can also be used to adjust Treble strength with gain control. One low pass filter with gain control can adjust the Bass strength. Three bands of bi-quad band pass filters are used to emulate environment sounds.

7.10.2. Pseudo Stereo and Spatial 3D Sound

There are two spatial effects in post-processing; the Pseudo-Stereo Effect + Spatial Effect, and the Stereo Expansion Effect. The Pseudo-Stereo Effect + Spatial Effect converts a MONO signal to a stereo signal by changing the phase and amplitude of the original signal followed by enhancing the spatial effect. The Stereo Expansion Effect enhances the spatial effect when the input signal is Stereo.

7.10.3. Wind Noise Reduction Filter

The wind filter is implemented by a high pass filter equalizer. The wind filter is mainly for ADC recording used. The bandwidth of wind filter is programmable and varies with sample rate. The filter is used to remove DC offset at normal condition, and wind noise reduction at application mode.

Table 12. Sample Rate with bandwidth for Wind Filter

sel_adc_wf	Sampling Rate (sel_adhpf_fs_type) = 48kHz		
	00'b	01'b	10'b
000	130 Hz	260 Hz	440 Hz
001	170 Hz	330 Hz	556 Hz
010	171 Hz	330 Hz	556 Hz
011	254 Hz	448 Hz	770 Hz
100	330 Hz	640 Hz	1124 Hz
101	420 Hz	730 Hz	1200 Hz
110	509 Hz	770 Hz	2000 Hz
111	620 Hz	1260 Hz	2155 Hz

7.11. I²C Control Interface

I²C is a 2-wire (SCL/SDA) half-duplex serial communication interface, supporting only slave mode. SCL is used for clock and SDA is for data. SCL clock supports up to 400KHz rate and SDA data is an open drain structure. The input has built-in spike filter and can remove less than 50ns spike at SCL and SDA.

7.11.1. Address Setting

Table 13. Address Setting (0x34h)

(MSB)	BIT						(LSB)
0	0	1	1	0	1	0	R/W

7.11.2. Complete Data Transfer

Data Transfer over I²C Control Interface

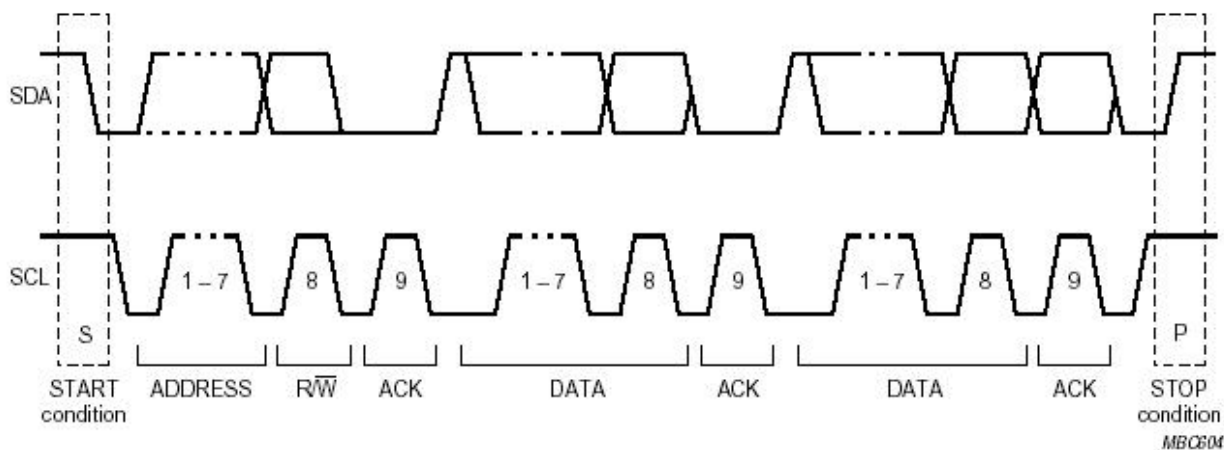


Figure 16. Data Transfer Over I²C Control Interface

Write WORD Protocol

Table 1. Write WORD Protocol

1	7	1	1	8	1	8	1	8	1	1
S	Device Address	Wr	A	Register Address	A	Data Byte High	A	Data Byte Low	A	P

Read WORD Protocol

Table 2. Read WORD Protocol

1	7	1	1	8	1	7	1	8	1	8	1	1		
S	Device Address	Wr	A	Register Address	A	S	Device Address	Rd	A	Data Byte High	A	Data Byte Low	NA	P

S: Start Condition	A: 0 for ACK, 1 for NACK
Slave Address: 7-bit Device Address	Data Byte: 16-bit Mixer data
Wr: 0 for Write Command	<input type="checkbox"/> : Master-to-Slave
Rd: 1 for Read Command	<input checked="" type="checkbox"/> : Slave-to-Master
Command Code: 8-bit Register Address	

7.11.3. Odd-Addressed Register Access

The ALC5631Q will return '0000h' when odd-addressed and unimplemented registers are read.

7.12. GPIO, Interrupt and Jack Detection

The ALC5631Q supports one GPIO. The GPIO can be configured as Input/Output by REG4C[2]. When GPIO is configured as input, the status will be indicated in REG4A[2]. When GPIO is configured as output, REG4C[1] is used to drive GPIO to high or low.

The GPIO is also can as IRQ output and triggered by trigger sources. The trigger sources can from over-current status, over-temperature status and jack detection. Each of these is triggered and the GPIO will output a flag as interrupt signal.

There are three pins can as jack detect pins, GPIO, JD1 (share with AXIL) and JD2 (share with AXIR). The jack detect function is use to turn-on or turn-off output port. When jack detect pin has been triggered, the selected output ports will be turn-on or turn-off. When GPIO is as IRQ function then will not as jack detect pin.

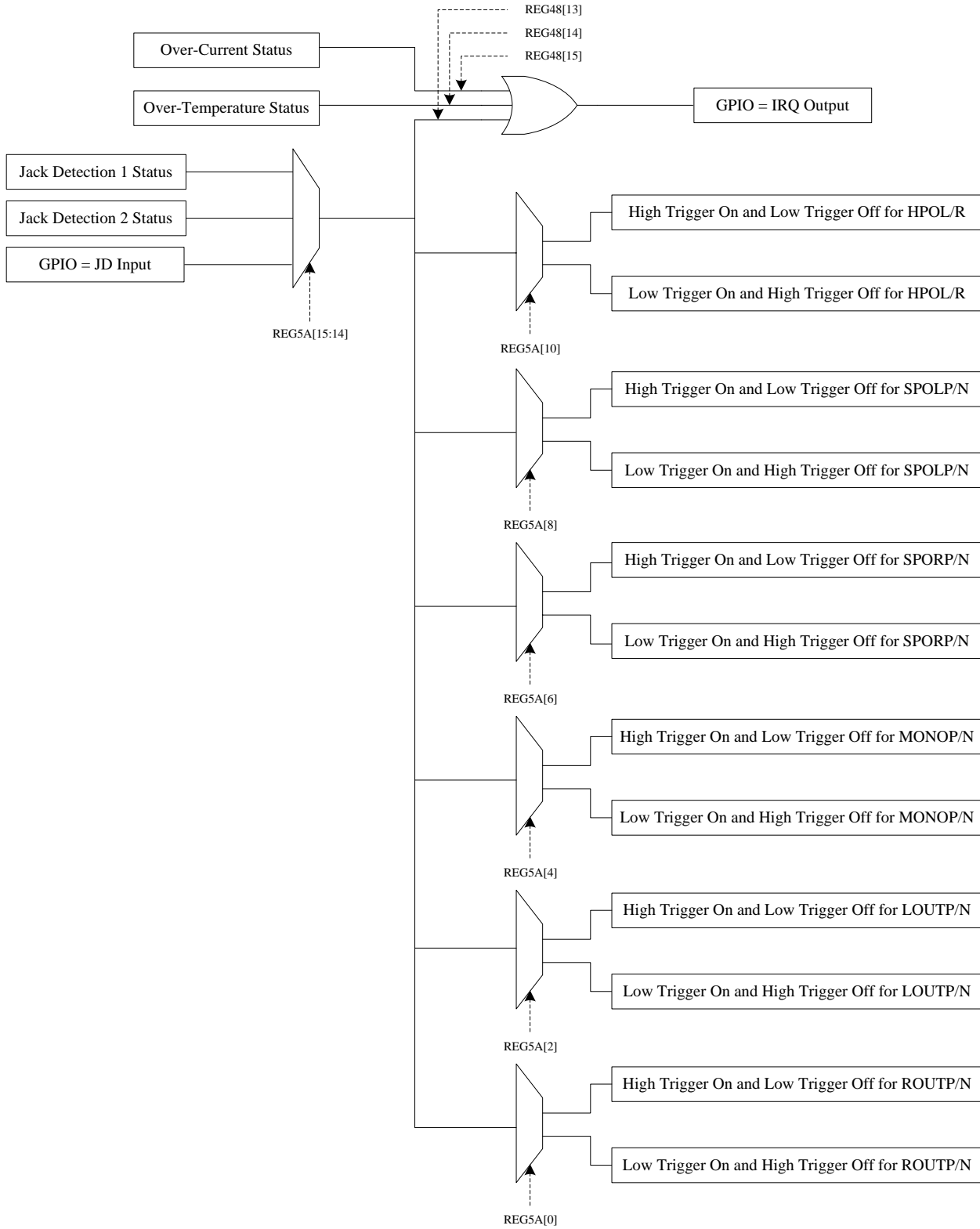


Figure 17. IRQ/Jack Detection Function Block

7.13. Power Management

ALC5631Q detailed Power Management control registers are supported in Reg3A, 3B, 3C, 3E. Each particular block will only be active when individual bits of Reg3A are set to enable.

8. Registers List

Accessing odd numbered registers, or reading unimplemented registers, will return a 0.

8.1. Reg-00h: Reset

Default: 0001'h

Table 14. Reg-00h: Reset

Port Name	Bits	Read/Write	Reset State	Description
Reserved	15:4	-	0'h	Reserved
Reg-00_b3	3	R	0'h	Internal used
Reg-00_b2	2	R	0'h	Internal used
Reg-00_b1	1	R	0'h	Internal used
Reg-00_b0	0	R	1'h	Internal used

Note: Writes to this register will reset all registers to their default values except PLL related Register. The written data will be ignored.

8.2. Reg-02h: Speaker Output Control

Default: 8888'h

Table 15. Reg-02h: Speaker Output Control

Port Name	Bits	Read/Write	Reset State	Description
mu_spo_l	15	R/W	1'h	Mute Control for SPOLP/LN 0'b: Un-mute 1'b: Mute
sel_spkvoll_in	14	R/W	0'h	Speaker Left Channel Volume Input Select 0'b: VMID (No input) 1'b: SPKMIXL
vol_spo_l	13:8	R/W	8'h	Speaker Left Channel Volume Control (SPKVOLL) 00'h: +12dB ~ 08'h: 0dB ~ 27'h: -46.5dB, with 1.5dB/step
mu_spo_r	7	R/W	1'h	Mute Control for SPO_RP/RN 0'b: Un-mute 1'b: Mute
sel_spkvolr_in	6	R/W	0'h	Speaker Right Channel Volume Input Select 0'b: VMID (No input) 1'b: SPKMIXR

Port Name	Bits	Read/Write	Reset State	Description
vol_spo_r	5:0	R/W	8'h	Speaker Right Channel Volume Control (SPKVOLR) 00'h: +12dB ~ 08'h: 0dB ~ 27'h: -46.5dB, with 1.5dB/step

8.3. Reg-04h: Headphone Output Control

Default: 8080'h

Table 16. Reg-04h: Headphone Output Control

Name	Bits	Read/Write	Reset State	Description
mu_hpo_l	15	R/W	1'h	Mute Control for HPOL 0'b: Un-mute 1'b: Mute
sel_hpovoll_in	14	R/W	0'h	Headphone Left Channel Volume Input Select 0'b: VMID (No input) 1'b: OUTMIXL
Reserved	13	-	0'h	Reserved
vol_hpo_l	12:8	R/W	0'h	Headphone Left Channel Volume Control (HPOVOLL) 00'h: 0dB ~ 1F'h: -46.5dB, with 1.5dB/step
mu_hpo_r	7	R/W	1'h	Mute Control for HPOR 0'b: Un-mute 1'b: Mute
sel_hpovolr_in	6	R/W	0'h	Headphone Right Channel Volume Input Select 0'b: VMID (No input) 1'b: OUTMIXR
Reserved	5	-	0'h	Reserved
vol_hpo_r	4:0	R/W	0'h	Headphone Right Channel Volume Control (HPOVOLR) 00'h: 0dB ~ 1F'h: -46.5dB, with 1.5dB/step

8.4. Reg-06h: Output Control for AXO1/AXO2/MONOOUT

Default: A080'h

Table 17. Reg-06h: Output Control for AXO1/AXO2/MONOOUT

Name	Bits	Read/Write	Reset State	Description
mu_axo1	15	R/W	1'h	Mute Control for AXO1 0'b: Un-mute 1'b: Mute
sel_outvoll_in	14	R/W	0'h	Left Output Volume (OUTVOLL) Input Select 0'b: VMID (No input) 1'b: OUTMIXL
mu_mono	13	R/W	1'h	Mute Control for MONOOUT 0'b: Un-mute 1'b: Mute
vol_o_l	12:8	R/W	0'h	Left Output Volume Control (OUTVOLL) 00'h: 0dB ~ 1F'h: -46.5dB, with 1.5dB/step
mu_axo2	7	R/W	1'h	Mute Control for AXO2 0'b: Un-mute 1'b: Mute
sel_outvolr_in	6	R/W	0'h	Right Output Volume (OUTVOLR) Input Select 0'b: VMID (No input) 1'b: OUTMIXL
Reserved	5	-	0'h	Reserved
vol_o_r	4:0	R/W	0'h	Right Output Volume Control (OUTVOLR) 00'h: 0dB ~ 1F'h: -46.5dB, with 1.5dB/step

8.5. *Reg-0Ah: AUX INPUT Volume Control*

Default: 0808'h

Table 18. Reg-0Ah: AUX INPUT Volume Control

Name	Bits	Read/Write	Reset State	Description
Reserved	15:13	-	0'h	Reserved
vol_axi_l	12:8	R/W	8'h	AUX Left Input Volume Control 00'h: 12dB ~ 08'h: 0dB ~ 1F'h: -34.5dB, with 1.5dB/step
Reserved	7:5	-	0'h	Reserved
vol_axi_r	4:0	R/W	8'h	AUX Right Input Volume Control 00'h: 12dB ~ 08'h: 0dB ~ 1F'h: -34.5dB, with 1.5dB/step

8.6. *Reg-0Ch: STEREO DAC Control 1*

Default: 0000'h

Table 19. Reg-0Ch: STEREO DAC Control 1

Name	Bits	Read/Write	Reset State	Description
mu_dac_l	15	R/W	0'h	Digital Mute for Left DAC 0'b: Un-mute 1'b: Mute
Reserved	14:8	R	0'h	Reserved
mu_dac_r	7	R/W	0'h	Digital Mute for Right DAC 0'b: Un-mute 1'b: Mute
sel_dac_pre_bst	6:0	R/W	0'h	Digital Pre-Boost Gain 00'h= 0dB 01'h= 0.375dB 02'h= 0.75dB 03'h= 1.125dB ~ 4C'h= 28.5dB, with 0.375dB/step Others: Reserved

8.7. Reg-0Eh: Microphone Input Control

Default: 0000'h

Table 20. Reg-0Eh: Microphone Input Control

Name	Bits	Read/Write	Reset State	Description
en_mic1_df	15	R/W	0'h	MIC1 Input Mode Control 0'b: Single-ended input (Input is from MIC1N) 1'b: Differential input
Reserved	14:8	-	0'h	Reserved
en_mic2_df	7	R/W	0'h	MIC2 Input Mode Control 0'b: Single-ended input (Input is from MIC2N) 1'b: Differential input
Reserved	6:0	-	0'h	Reserved

8.8. Reg-10h: STEREO DAC Control 2

Default: 0000'h

Table 21. Reg-10h: STEREO DAC Control 2

Name	Bits	Read/Write	Reset State	Description
vol_dac_l	15:8	R/W	0'h	Stereo DAC Left Channel Digital Volume 00'h: 0dB ~ FF'h: -95.625dB, with 0.375dB/step
vol_dac_r	7:0	R/W	0'h	Stereo DAC Right Channel Digital Volume 00'h: 0dB ~ FF'h: -95.625dB, with 0.375dB/step

8.9. Reg-12h: Stereo ADC Control 1

Default: 0000'h

Table 22. Reg-12h: Stereo ADC Control 1

Name	Bits	Read/Write	Reset State	Description
mu_adc_l	15	R/W	0'h	Digital Mute for Left ADC 0'b: Un-mute 1'b: Mute
Reserved	14:8	-	0'h	Reserved
mu_adc_r	7	R/W	0'h	Digital Mute for Right ADC 0'b: Un-mute 1'b: Mute
Reserved	6:5	-	0'h	Reserved

Name	Bits	Read/Write	Reset State	Description
sel_adc_pre_bst	4:0	R/W	0'h	Digital Pre-Boost Gain 00'h= 0dB 01'h= 1.5dB 02'h= 3dB 03'h= 4.5dB 13'h= 28.5dB, with 1.5dB/step Others: Reserved

8.10. Reg-14h: ADC Recording Mixer Control

Default: F0F0'h

Table 23. Reg-14h: ADC Recording Mixer Control

Name	Bits	Read/Write	Reset State	Description
mu_outmixl_to_rec mixl	15	R/W	1'h	Left Output Mixer (OUTMIXL) to Left REC Mixer (RECMIXL) 0'b: Un-mute 1'b: Mute
mu_bst1_to_recmixl	14	R/W	1'h	MIC1 to Left REC Mixer (RECMIXL) 0'b: Un-mute 1'b: Mute
mu_axilvol_to_recmixl	13	R/W	1'h	AXIL to Left REC Mixer (RECMIXL) 0'b: Un-mute 1'b: Mute
mu_rx_to_recmixl	12	R/W	1'h	MONOIN to Left REC Mixer (RECMIXL) 0'b: Un-mute 1'b: Mute
reserved	11:8	-	0'h	Reserved
mu_outmixr_to_rec mixr	7	R/W	1'h	Right Output Mixer (OUTMIXR) to Right REC Mixer (RECMIXR) 0'b: Un-mute 1'b: Mute
mu_bst2_to_recmixr	6	R/W	1'h	MIC2 to Right REC Mixer (RECMIXR) 0'b: Un-mute 1'b: Mute
mu_axirvol_to_recmixr	5	R/W	1'h	AXIR to Right REC Mixer (RECMIXR) 0'b: Un-mute 1'b: Mute
mu_rx_to_recmixr	4	R/W	1'h	MONOIN to Right REC Mixer (RECMIXR) 0'b: Un-mute 1'b: Mute
reserved	3:0	-	0'h	Reserved

8.11. Reg-16h: Stereo ADC Control 2

Default: 0000'h

Table 24. Reg-16h: Stereo ADC Control 2

Name	Bits	Read/Write	Reset State	Description
vol_adc_l	15:8	R/W	0'h	Stereo ADC Left Channel Digital Volume 00'h: 0dB ~ FF'h: -95.625dB, with 0.375dB/step
vol_adc_r	7:0	R/W	0'h	Stereo ADC Right Channel Digital Volume 00'h: 0dB ~ FF'h: -95.625dB, with 0.375dB/step

8.12. Reg-1Ah: Left Output Mixer (OUTMIXL) Control

Default: FFC0'h

Table 25. Reg-1Ah: Left Output Mixer Control

Name	Bits	Read/Write	Reset State	Description
mu_recmixl_to_outmixl	15	R/W	1'h	Left REC Mixer (RECMIXL) to Left Output Mixer (OUTMIXL) 0'b: Un-mute 1'b: Mute
mu_recmixr_to_outmixl	14	R/W	1'h	Right REC Mixer (RECMIXR) to Left Output Mixer (OUTMIXL) 0'b: Un-mute 1'b: Mute
mu_dacl_to_outmixl	13	R/W	1'h	Left DAC Output to Left Output Mixer (OUTMIXL) 0'b: Un-mute 1'b: Mute
mu_bst1_to_outmixl	12	R/W	1'h	MIC1 to Left Output Mixer (OUTMIXL) 0'b: Un-mute 1'b: Mute
mu_bst2_to_outmixl	11	R/W	1'h	MIC2 to Left Output Mixer (OUTMIXL) 0'b: Un-mute 1'b: Mute
mu_rxn_to_outmixl	10	R/W	1'h	MONOIN Negative Input to Left Output Mixer (OUTMIXL) 0'b: Un-mute 1'b: Mute
mu_axilvol_to_outmixl	9	R/W	1'h	AXIL to Left Output Mixer (OUTMIXL) 0'b: Un-mute 1'b: Mute
mu_axirvol_to_outmixl	8	R/W	1'h	AXIR to Left Output Mixer (OUTMIXL) 0'b: Un-mute 1'b: Mute

Name	Bits	Read/Write	Reset State	Description
Reserved	7:0	R/W	C0'h	Reserved, don't change it

8.13. Reg-1Ch: Right Output Mixer (OUTMIXR) Mixer Control

Default: FFC0'h

Table 26. Reg-1Ch: Right Output Mixer Control

Name	Bits	Read/Write	Reset State	Description
mu_recmixl_to_outmixr	15	R/W	1'h	Left REC Mixer (RECMIXL) to Right Output Mixer (OUTMIXR) 0'b: Un-mute 1'b: Mute
mu_recmixr_to_outmixr	14	R/W	1'h	Right REC Mixer (RECMIXR) to Right Output Mixer (OUTMIXR) 0'b: Un-mute 1'b: Mute
mu_dacr_to_outmixr	13	R/W	1'h	Right DAC Output to Right Output Mixer (OUTMIXR) 0'b: Un-mute 1'b: Mute
mu_bst1_to_outmixr	12	R/W	1'h	MIC1 to Right Output Mixer (OUTMIXR) 0'b: Un-mute 1'b: Mute
mu_bst2_to_outmixr	11	R/W	1'h	MIC2 to Right Output Mixer (OUTMIXR) 0'b: Un-mute 1'b: Mute
mu_rxp_to_outmixr	10	R/W	1'h	MONOIN Positive Input to Right Output Mixer (OUTMIXR) 0'b: Un-mute 1'b: Mute
mu_axilvol_to_outmixr	9	R/W	1'h	AXIL to Right Output Mixer (OUTMIXR) 0'b: Un-mute 1'b: Mute
mu_axirvol_to_outmixr	8	R/W	1'h	AXIR to Right Output Mixer (OUTMIXR) 0'b: Un-mute 1'b: Mute
Reserved	7:0	R/W	C0'h	Reserved, don't change it

8.14. Reg-1Eh: AXO1MIX Control

Default: 88C0'h

Table 27. Reg-1Eh: AXO1 Mixer Control

Name	Bits	Read/Write	Reset State	Description
mu_bst1pn_to_axo1mix	15	R/W	1'h	MIC1 to AXO1 Mixer (Fully Differential Path) 0'b: Un-mute 1'b: Mute
vol_bst1pn_to_axo1mix	14:12	R/W	0'h	Volume Control for MIC1 to AXO1 Mixer 000'b: 0dB 001'b: -3dB ~ 111'b: -21dB, with 3dB/step
mu_bst2pn_to_axo1mix	11	R/W	1'h	MIC2 to AXO1 Mixer (Fully Differential Path) 0'b: Un-mute 1'b: Mute
vol_bst2pn_to_axo1mix	10:8	R/W	0'h	Volume Control for MIC2 to AXO1 Mixer 000'b: 0dB 001'b: -3dB ~ 111'b: -21dB, with 3dB/step
mu_outvoll_to_axo1mix	7	R/W	1'h	Left Output Volume (OUTVOLL) to AXO1 Mixer 0'b: Un-mute 1'b: Mute
mu_outvolr_to_axo1mix	6	R/W	1'h	Right Output Volume (OUTVOLR) to AXO1 Mixer 0'b: Un-mute 1'b: Mute
sel_axo1_mode	5	R/W	0'h	AXO1 Output Mode Control❶ 0'b: Differential 1'b: Single-end
Reserved	4:0	-	0'h	Reserved

❶ AXO1 Output Mode Control:

Source	Differential Mode sel_axo1_mode=0'b		Single-End Mode sel_axo1_mode=1'b	
	AXO1_P	AXO1_N	AXO1_L	AXO1_R
^{OUTVOLL} mu_outvoll_to_axo1mix=0'b	OUTVOLL	inverse(OUTVOLL)	OUTVOLL	OUTVOLR
^{OUTVOLR} mu_outvolr_to_axo1mix=0'b	OUTVOLR	inverse(OUTVOLR)	OUTVOLR	OUTVOLL
^{BST1} mu_bst1pn_to_axo1mix=0'b	BST1P	BST1N	BST1P	BST1P
^{BST2} mu_bst2pn_to_axo1mix=0'b	BST2P	BST2N	BST2P	BST2P

8.15. Reg-20h: AXO2MIX Control

Default: 88C0'h

Table 28. Reg-20h: AXO2 Mixer Control

Name	Bits	Read/Write	Reset State	Description
mu_bst1pn_to_axo2mix	15	R/W	1'h	MIC1 to AXO2 Mixer (Fully Differential Path) 0'b: Un-mute 1'b: Mute
vol_bst1pn_to_axo2mix	14:12	R/W	0'h	Volume Control for MIC1 to AXO2 Mixer 000'b: 0dB 001'b: -3dB ~ 111'b: -21dB, with 3dB/step
mu_bst2pn_to_axo2mix	11	R/W	1'h	MIC2 to AXO2 Mixer (Fully Differential Path) 0'b: Un-mute 1'b: Mute
vol_bst2pn_to_axo2mix	10:8	R/W	0'h	Volume Control for MIC2 to AXO2 Mixer 000'b: 0dB 001'b: -3dB ~ 111'b: -21dB, with 3dB/step
mu_outvoll_to_axo2mix	7	R/W	1'h	Left Output Volume (OUTVOLL) to AXO2 Mixer 0'b: Un-mute 1'b: Mute
mu_outvolr_to_axo2mix	6	R/W	1'h	Right Output Volume (OUTVOLR) to AXO2 Mixer 0'b: Un-mute 1'b: Mute
sel_axo2_mode	5	R/W	0'h	AXO2 Output Mode Control ❶ 0'b: Differential 1'b: Single-end
Reserved	4:0	-	0'h	Reserved

❶ AXO2 Output Mode Control:

Source	Differential Mode sel_axo2_mode=0'b		Single-End Mode sel_axo2_mode=1'b	
	AXO2_P	AXO2_N	AXO2_L	AXO2_R
^{OUTVOLL} mu_outvoll_to_axo2mix=0'b	OUTVOLL	inverse(OUTVOLL)	OUTVOLL	OUTVOLR
^{OUTVOLR} mu_outvolr_to_axo2mix=0'b	OUTVOLR	inverse(OUTVOLR)	OUTVOLR	OUTVOLL
^{BST1} mu_bst1pn_to_axo2mix=0'b	BST1P	BST1N	BST1P	BST1P
^{BST2} mu_bst2pn_to_axo2mix=0'b	BST2P	BST2N	BST2P	BST2P

8.16. Reg-22h: Microphone Input Control

Default: 0000'h

Table 29. Reg-22h: Microphone Input Control

Name	Bits	Read/Write	Reset State	Description
sel_bst1	15:12	R/W	0'h	MIC1 Input Boost Gain Control 0000'b: Bypass 0001'b: +20dB 0010'b: +24dB 0011'b: +30dB 0100'b: +35dB 0101'b: +40dB 0110'b: +44dB 0111'b: +50dB 1000'b: +52dB Others : Reserved
sel_bst2	11:8	R/W	0'h	MIC2 Input Boost Gain Control 0000'b: Bypass 0001'b: +20dB 0010'b: +24dB 0011'b: +30dB 0100'b: +35dB 0101'b: +40dB 0110'b: +44dB 0111'b: +50dB 1000'b: +52dB Others : Reserved
sel_micbias1	7	R/W	0'h	MICBIAS1 Output Voltage Control 0'b: 0.9 * AVDD 1'b: 0.75 * AVDD
pow_mic_ovcd1	6	R/W	0'h	MICBIAS1 Short Current Detector Control 0'b: Disable 1'b: Enable
sel_mic_ovcd_th1	5:4	R/W	0'h	MICBIAS1 Short Current Detector Threshold 00'b: 600uA 01'b: 1500uA 1x'b: 2000uA Note: tolerance is 200uA

Name	Bits	Read/Write	Reset State	Description
sel_micbias2	3	R/W	0'h	MICBIAS2 Output Voltage Control 0'b: 0.9 * AVDD 1'b: 0.75 * AVDD
pow_mic_ovcd2	2	R/W	0'h	MICBIAS2 Short Current Detector Control 0'b: Disable 1'b: Enable
sel_mic_ovcd_th2	1:0	R/W	0'h	MICBIAS2 Short Current Detector Threshold 00'b: 600uA 01'b: 1500uA 1x'b: 2000uA Note: tolerance is 200uA

8.17. Reg-24h: Digital Microphone Control

Default: 3000'h

Table 30. Reg-24h: Digital Microphone Control

Name	Bits	Read/Write	Reset State	Description
en_dmic	15	R/W	0'h	Enable DMIC Interface(ADC digital MUX selection) 0'b: Disable (ADC to ADC Digital Filter) 1'b: Enable (DMIC to ADC Digital Filter)
Reserved	14	-	0'h	Reserved
mu_dmic_l	13	R/W	1'h	DMIC Left Channel Mute Control 0'b: Un-mute 1'b: Mute
mu_dmic_r	12	R/W	1'h	DMIC Right Channel Mute Control 0'b: Un-mute 1'b: Mute
Reserved	11:10	-	0'h	Reserved
sel_dmic_l_edge	9	R/W	0'h	DMIC Left Channel Source Control 0'b: Latch from falling edge 1'b: Latch from rising edge
sel_dmic_r_edge	8	R/W	0'h	DMIC ADC Right Channel Source Control 0'b: Latch from falling edge 1'b: Latch from rising edge
Reserved	7:6	-	0'h	Reserved
sel_dmic_clk	5:4	R/W	0'h	DMIC Clock Rate Control 00'b: 128*fs 01'b: 64*fs 1x'b: 32*fs
Reserved	3:0	-	0'h	Reserved

8.18. Reg-26h: MONOIN Input Volume

Default: 8808'h

Table 31. Reg-26h: MONOIN Input Volume

Name	Bits	Read/Write	Reset State	Description
en_rx_df	15	R/W	1'h	MONOIN Input Mode Control 0'b: Single-ended input 1'b: Differential input
Reserved	14:13	-	0'h	Reserved
vol_rx_p	12:8	R/W	8'h	MONOIN_N Input Volume Control 00'h: 12dB ~ 08'h: 0dB ~ 1F'h: -34.5dB, with 1.5dB/step
Reserved	7:5	-	0'h	Reserved
vol_rx_n	4:0	R/W	8'h	MONOIN_P Input Volume Control 00'h: 12dB ~ 08'h: 0dB ~ 1F'h: -34.5dB, with 1.5dB/step

8.19. Reg-28h: Speaker Mixer Control

Default: F8F8'h

Table 32. Reg-28h: Speaker Mixer Control

Name	Bits	Read/Write	Reset State	Description
mu_recmixl_to_spk mixl	15	R/W	1'h	Left REC Mixer (RECMIXL) to Left Speaker Mixer (SPKMIXL) 0'b: Un-mute 1'b: Mute

Name	Bits	Read/Write	Reset State	Description
mu_mic1p_to_spkmixl	14	R/W	1'h	MIC1 Positive Channel to Left Speaker Mixer (SPKMIXL) 0'b: Un-mute 1'b: Mute
mu_dacl_to_spkmixl	13	R/W	1'h	DAC Left Channel to Left Speaker Mixer (SPKMIXL) 0'b: Un-mute 1'b: Mute
mu_outmixl_to_spkmixl	12	R/W	1'h	Left Output Mixer (OUTMIXL) to Left Speaker Mixer (SPKMIXL) 0'b: Un-mute 1'b: Mute
Reserved	11:8	R/W	8'h	Reserved, don't change it
mu_recmixr_to_spkmixr	7	R/W	1'h	Right REC Mixer (RECMIXR) to Right Speaker Mixer (SPKMIXR) 0'b: Un-mute 1'b: Mute
mu_mic2p_to_spkmixr	6	R/W	1'h	MIC2 Positive Channel to Right Speaker Mixer (SPKMIXR) 0'b: Un-mute 1'b: Mute
mu_dacr_to_spkmixr	5	R/W	1'h	DAC Right Channel to Right Speaker Mixer (SPKMIXR) 0'b: Un-mute 1'b: Mute
mu_outmixr_to_spkmixr	4	R/W	1'h	Right Output Mixer (OUTMIXR) to Right Speaker Mixer (SPKMIXR) 0'b: Un-mute 1'b: Mute
Reserved	3:0	R/W	8'h	Reserved, don't change it

8.20. Reg-2Ah: Speaker/Mono Output Control

Default: FC00'h

Table 33. Reg-2Ah: Speaker/Mono Output Control

Name	Bits	Read/Write	Reset State	Description
mu_spkvoll_to_spolmix	15	R/W	1'h	Left Speaker Volume (SPKLVOL) to Left Speaker Output Mixer (SPOLMIX) 0'b: Un-mute 1'b: Mute
mu_spkvolr_to_spolmix	14	R/W	1'h	Right Speaker Volume (SPKRVOL) to Left Speaker Output Mixer (SPOLMIX) 0'b: Un-mute 1'b: Mute

Name	Bits	Read/Write	Reset State	Description
mu_spkvoll_to_spor mix	13	R/W	1'h	Left Speaker Volume (SPKLVOL) to Right Speaker Output Mixer (SPORMIX) 0'b: Un-mute 1'b: Mute
mu_spkvolr_to_spor mix	12	R/W	1'h	Right Speaker Volume (SPKRVOL) to Right Speaker Mixer (SPORMIX) 0'b: Un-mute 1'b: Mute
mu_outvoll_to_mon omix	11	R/W	1'h	Left Output Volume (OUTVOLL) to MONO Mixer (MONOMIX) 0'b: Un-mute 1'b: Mute
mu_outvolr_to_mon omix	10	R/W	1'h	Right Output Volume (OUTVOLR) to MONO Mixer (MONOMIX) 0'b: Un-mute 1'b: Mute
Reserved	9:0	-	0'h	Reserved

8.21. Reg-2Ch: Speaker/Mono/HP Output Control

Default: 4400h

Table 34. Reg-2Ch: Speaker/Mono/HP Output Control

Name	Bits	Read/Write	Reset State	Description
sel_spol	15:14	R/W	1'h	Left Speaker Output MUX Selection 00'b: Left Speaker Output Mixer (SPOLMIX) 01'b: MONOIN Input 10'b:Reserved 11'b: DAC Left Channel
Reserved	13:12	-	0'h	Reserved
sel_spor	11:10	R/W	1'h	Right Speaker Output MUX Selection 00'b: Right Speaker Output Mixer (SPORMIX) 01'b: MONOIN Input 10'b: Reserved 11'b: DAC Right Channel
Reserved	9:8	-	0'h	Reserved
sel_mono	7:6	R/W	1'h	Mono Output MUX Selection 00'b: MONO Mixer (MONOMIX) 01'b: MONOIN Input 10'b: Reserved 11'b: Reserved
Reserved	5:4	-	0'h	Reserved
sel_lin_hp	3	R/W	0'h	Left Headphone Output MUX Selection 0'b: Left Headphone Output Volume 1'b: DAC Left Channel
sel_rin_hp	2	R/W	0'h	Right Headphone Output MUX Selection 0'b: Right Headphone Output Volume 1'b: DAC Right Channel
Reserved	1:0	-	0'h	Reserved

8.22. Reg-34h: Stereo I²S Serial Data Port Control

Default: 8000'h

Table 35. Reg-34h: Stereo I²S Serial Data Port Control

Name	Bits	Read/Write	Reset State	Description
sel_i2s_ms	15	R/W	1'h	Stereo I ² S Serial Data Port Mode Selection 0'b: Master 1'b: Slave
Reserved	14:12	-	0'h	Reserved
en_adc_comp	11:10	R/W	0'h	ADC Compress (For ADCDAT Output) 00'b: OFF 01'b: μ law 10'b: A law 11'b: Reserved
en_dac_comp	9:8	R/W	0'h	DAC Compress (For DACDAT Input) 00'b: OFF 01'b: μ law 10'b: A law 11'b: Reserved
inv_bclk	7	R/W	0'h	Stereo I ² S BCLK Polarity Control 0'b: Normal 1'b: Invert
inv_r_ch	6	R/W	0'h	Inverse DAC R Channel Digital Data for Support Differential Output. 0'b: Normal 1'b: Inverse
inv_adc_lrck	5	R/W	0'h	ADC Data L/R Swap Control 0'b: ADC data appear at left phase of LRCK 1'b: ADC data appear at right phase of LRCK Note: support to I2S & PCM
inv_dac_lrck	4	R/W	0'h	DAC Data L/R Swap Control 0'b: DAC data appear at left phase of LRCK 1'b: DAC data appear at right phase of LRCK Note: support to I2S & PCM
sel_i2s_len	3:2	R/W	0'h	Data Length Selection 00'b: 16 bits 01'b: 20 bits 10'b: 24 bits 11'b: 8 bits
sel_i2s_format	1:0	R/W	0'h	Stereo PCM Data Format Selection 00'b: I ² S format 01'b: Left justified 10'b: PCM mode A 11'b: PCM mode B

8.23. Reg-38h: Stereo ADC/DAC Clock Control

Default: 2020'h

Table 36. Reg-38h: Stereo ADC/DAC Clock Control

Name	Bits	Read/Write	Reset State	Description
sel_i2s_pre_div1	15:13	R/W	1'h	I ² S Pre Div1 000'b: ÷ 1 001'b: ÷ 2 010'b: ÷ 4 011'b: ÷ 8 100'b: ÷ 16 101'b: ÷ 32 Others: Reserved
sel_i2s_bclk_ms1	12	R/W	0'h	Master Mode Clock Relative of BCLK and LRCK 0'b: 32Bits (64FS) 1'b: 16Bits (32FS)
sel_dac_osr	11:10	R/W	0'h	Stereo DAC Over Sample Rate Select 00'b: 128Fs 01'b: 64Fs 10'b: 32Fs 11'b: 16Fs
sel_adc_osr	9:8	R/W	0'h	Stereo ADC Over Sample Rate Select 00'b: 128Fs 01'b: 64Fs 10'b: 32Fs 11'b: 16Fs
sel_filter_clk1	7	R/W	0'h	Stereo ADC/DAC Filter Clock Select 0'b: 256Fs 1'b: 384Fs
Reserved	6:0	R/W	2'h	Reserved, don't change it

8.24. Reg-3Ah: Power Management 1

Default: 0000'h

Table 37. Reg-3Ah: Power Management 1

Name	Bits	Read/Write	Reset State	Description
en_i2s	15	R/W	0'h	Stereo I ² S Digital Interface Power Control 0'b: Power down 1'b: Power on
Reserved	14:13	R/W	0'h	Reserved, don't change it
pow_clsd	12	R/W	0'h	Class-D Modulation Power Control 0'b: Power down 1'b: Power on
pow_adc_l	11	R/W	0'h	Left Analog ADC and Digital Filter Power Control 0'b: Power down 1'b: Power on
pow_adc_r	10	R/W	0'h	Right Analog ADC and Digital Filter Power Control 0'b: Power down 1'b: Power on
pow_dac_l	9	R/W	0'h	Left Analog DAC and Digital Filter Power Control 0'b: Power down 1'b: Power on
pow_dac_r	8	R/W	0'h	Right Analog DAC and Digital Filter Power Control 0'b: Power down 1'b: Power on
pow_dac_ref	7	R/W	0'h	Stereo DAC Reference Power Control 0'b: Power down 1'b: Power on
pow_dacl2mixer	6	R/W	0'h	DAC L channel to mixer 0'b: Power down 1'b: Power on
pow_dacr2mixer	5	R/W	0'h	DAC R channel to mixer 0'b: Power down 1'b: Power on
Reserved	4:0	R/W	0'h	Reserved, don't change it

8.25. Reg-3Bh: Power Management 2

Default: 0000'h

Table 38. Reg-3Bh: Power Management 2

Name	Bits	Read/Write	Reset State	Description
pow_outmixl	15	R/W	0'h	Left Output Mixer (OUTMIXL) Power Control 0'b: Power down 1'b: Power on
pow_outmixr	14	R/W	0'h	Right Output Mixer (OUTMIXR) Power Control 0'b: Power down 1'b: Power on
pow_spkmixl	13	R/W	0'h	Left Speaker Mixer (SPKMIXL) Power Control 0'b: Power down 1'b: Power on
pow_spkmixr	12	R/W	0'h	Right Speaker Mixer (SPKMIXR) Power Control 0'b: Power down 1'b: Power on
pow_recmixl	11	R/W	0'h	Left REC Mixer (RECMIXL) Power Control 0'b: Power down 1'b: Power on
pow_recmixr	10	R/W	0'h	Right REC Mixer (RECMIXR) Power Control 0'b: Power down 1'b: Power on
Reserved	9:6	-	0'h	Reserved
pow_mic1	5	R/W	0'h	MIC1 Boost Gain Power Control 0'b: Power down 1'b: Power on
pow_mic2	4	R/W	0'h	MIC2 Boost Gain Power Control 0'b: Power down 1'b: Power on
pow_micbias1	3	R/W	0'h	MIC1 Bias Voltage Power Control 0'b: Power down 1'b: Power on
pow_micbias2	2	R/W	0'h	MIC2 Bias Voltage Power Control 0'b: Power down 1'b: Power on
pllen_PLL	1	R/W	0'h	PLL Power Control 0'b: Power down 1'b: Power on
Reserved	0	R/W	0'h	Reserved, don't change it

8.26. Reg-3Ch: Power Management 3

Default: 0000'h

Table 39. Reg-3Ch: Power Management 3

Name	Bits	Read/Write	Reset State	Description
pow_vref	15	R/W	0'h	Vref Voltage Power Control 0'b: Power down 1'b: Power on
en_fastb	14	R/W	0'h	Fast Vref Control 0'b: Enable 1'b: Disable (For beter analog performance)
pow_main_bias	13	R/W	0'h	Analog Block Bias Control 0'b: Power down 1'b: Power on
Reserved	12	-	0'h	Reserved
pow_axo1	11	R/W	0'h	AXO1 Mixer Power Control 0'b: Power down 1'b: Power on
pow_axo2	10	R/W	0'h	AXO2 Mixer Power Control 0'b: Power down 1'b: Power on
pow_monomix	9	R/W	0'h	MONO Mixer (MONOMIX) Power Control 0'b: Power down 1'b: Power on
en_out_mono	8	R/W	0'h	MONOOUT Output Depop Mode Control 0'b: Enable depop mode 1'b: Disable depop mode
en_mono_amp	7	R/W	0'h	MONOOUT Output Amplifier Driving Control 0'b: Disable amplifier driving (Without driving capability) 1'b: Enable amplifier driving (With driving capability)
reserved	6:5	-	0'h	Reserved
pow_cp_hp	4	R/W	0'h	Charge Pump Power Control 0'b: Power down 1'b: Power on This register will be no used when pow_capless =1'b
pow_l_hp	3	R/W	0'h	Headphone Amplifier Left Channel Power Control 0'b: Power down 1'b: Power on This register will be no used when pow_capless =1'b
pow_r_hp	2	R/W	0'h	Headphone Amplifier Right Channel Power Control 0'b: Power down 1'b: Power on This register will be no used when pow_capless =1'b
en_out_hp	1	R/W	0'h	Headphone Output Depop Mode Control 0'b: Depop mode 1'b: Normal mode This register will be no used when pow_capless =1'b

Name	Bits	Read/Write	Reset State	Description
Reserved	0	R/W	0'h	Reserved, don't change it

8.27. Reg-3Eh: Power Management 4

Default: 0000'h

Table 40. Reg-3Eh: Power Management 4

Name	Bits	Read/Write	Reset State	Description
pow_spo_vol_l	15	R/W	0'h	Left Speaker Volume (SPKLVOL) Power Control 0'b: Power down 1'b: Power on
pow_spo_vol_r	14	R/W	0'h	Right Speaker Volume (SPKRVOL) Power Control 0'b: Power down 1'b: Power on
pow_o_vol_l	13	R/W	0'h	Left Output Volume (OUTVOLL) Power Control 0'b: Power down 1'b: Power on
pow_o_vol_r	12	R/W	0'h	Right Output Volume (OUTVOLR) Power Control 0'b: Power down 1'b: Power on
pow_hpo_vol_l	11	R/W	0'h	Left Headphone Output Volume (HPOVOLL) Power Control 0'b: Power down 1'b: Power on
pow_hpo_vol_r	10	R/W	0'h	Right Headphone Output Volume (HPOVOLR) Power Control 0'b: Power down 1'b: Power on
pow_axi_vol_l	9	R/W	0'h	AXIL Input Volume Power Control 0'b: Power down 1'b: Power on
pow_axi_vol_r	8	R/W	0'h	AXIR Input Volume Power Control 0'b: Power down 1'b: Power on
pow_rx_vol_p	7	R/W	0'h	MONOIN_P Input Volume Power Control 0'b: Power down 1'b: Power on
pow_rx_vol_n	6	R/W	0'h	MONOIN_N Input Volume Power Control 0'b: Power down 1'b: Power on
Reserved	5:0	-	0'h	Reserved

8.28. Reg-40h: General Purpose Control Register

Default: 0E00'h

Table 41. Reg-40h: General Purpose Control Register

Name	Bits	Read/Write	Reset State	Description
en_spk_auto_ratio	15	R/W	0'h	Speaker Amplifier Auto Ratio Gain Control 0'b: Disable (Manual Setting) 1'b: Enable (Auto Setting)
spk_gain	14:12	R/W	0'h	Speaker Amplifier AC Ratio Gain Control 000'b: $1.00 \times AVDD$ (0dB) 001'b: $1.09 \times AVDD$ (0.80dB) 010'b: $1.27 \times AVDD$ (2.10dB) 011'b: $1.44 \times AVDD$ (3.16dB) 100'b: $1.56 \times AVDD$ (3.86dB) 101'b: $1.68 \times AVDD$ (4.50dB) 110'b: $1.99 \times AVDD$ (5.99dB) 111'b: $2.34 \times AVDD$ (7.40dB) Note: When en_spk_auto_ratio=0'b, this register can set AC gain ratio of SPK Amplifier. This Register is not work when en_spk_auto_ratio=1'b
en_dac_hpf	11	R/W	1'h	Stereo DAC High-Pass-Filter (HPF) Control 0'b: Bypass HPF 1'b: With HPF
en_adc_hpf	10	R/W	1'h	Stereo ADC High-Pass-Filter (HPF) Control 0'b: Bypass HPF 1'b: With HPF
Reserved	9:6	-	1'h	Reserved, don't change it
sel_adhpf_fs_type	5:4	R/W	0'h	Select ADC Wind Filter Clock Type ❶ 00'b: Type1 01'b: Type2 10'b: Type3 11'b: Reserved
en_adc_wf	3	R/W	0'h	ADC Wind Filter Control 0'b: Disable 1'b: Enable
sel_adc_wf	2:0	R/W	0'h	Select ADC Wind Filter Corner Frequency ❶

❶

sel_adc_wf	Sampling Rate (sel_adhpf_fs_type) = 48kHz		
	00'b	01'b	10'b
000	130 Hz	260 Hz	440 Hz
001	170 Hz	330 Hz	556 Hz
010	171 Hz	330 Hz	556 Hz
011	254 Hz	448 Hz	770 Hz
100	330 Hz	640 Hz	1124 Hz
101	420 Hz	730 Hz	1200 Hz
110	509 Hz	770 Hz	2000 Hz
111	620 Hz	1260 Hz	2155 Hz

The setting of REG-40h_b5:4 is need to the same as I2S sample rate. Or will have frequency difference for corner frequency of wind filter.

8.29. Reg-42h: Global Clock Control

Default: 0000'h

Table 42. Reg-42h: Global Clock Control

Name	Bits	Read/Write	Reset State	Description
sel_sysclk1	15:14	R/W	0'h	System Clock Source Selection 00'b: MCLK 01'b: PLL Others: Reserved
sel_pll_sour1	13:12	R/W	0'h	PLL Source Selection 00'b: From MCLK 01'b: From BCLK Others: Reserved
sel_pll_pre_div1	11	R/W	0'h	PLL Pre-Divider 0'b: ÷ 1 1'b: ÷ 2
Reserved	10:0	-	0'h	Reserved, don't change it

8.30. Reg-44h: PLL Control

Default: 0000'h

Table 43. Reg-44h: PLL Control

Name	Bits	Read/Write	Reset State	Description
PLL_n_code	15:8	R/W	00'h	N[7:0] Code for Analog PLL 00000000'b: ÷ 2 00000001'b: ÷ 3 ~ 11111111'b: ÷ 257
PLL_m_bypass	7	R/W	0'h	Bypass PLL M 0'b: No bypass 1'b: Bypass
PLL_k_code	6:4	R/W	0'h	K[2:0] Code for Analog PLL 000'b: ÷ 2 001'b: ÷ 3 ~ 111'b: ÷ 9
PLL_m_code	3:0	R/W	0'h	M[3:0] Code for Analog PLL 0000'b: ÷ 2 0001'b: ÷ 3 ~ 1111'b: ÷ 17

Note: The PLL transmit formula is $F_{OUT} = (MCLK * (N+2)) / ((M+2) * (K+2))$ {Typical K=2}.

8.30.1. PLL Clock Setting Table for 48K: (Unit: MHz)

Table 44. PLL Clock Setting Table for 48K: (Unit: MHz)

MCLK	N	M	F _{VCO}	K	F _{OUT}
13	66	7	98.222	2	24.555
3.6864	78	1	98.304	2	24.576
2.048	94	0	98.304	2	24.576
4.096	70	1	98.304	2	24.576
12	80	8	98.4	2	24.6
15.36	81	11	98.068	2	24.517
16	78	11	98.462	2	24.615
19.2	80	14	98.4	2	24.6
19.68	78	14	98.4	2	24.6

8.30.2. PLL Clock Setting Table for 44.1K: (Unit: MHz)

Table 45. PLL Clock Setting Table for 44.1K: (Unit: MHz)

MCLK	N	M	F _{VCO}	K	F _{OUT}
13	68	8	91	2	22.75
3.6864	72	1	90.931	2	22.733
2.048	86	0	90.112	2	22.528
4.096	64	1	90.112	2	22.528
12	66	7	90.667	2	22.667
15.36	63	9	90.764	2	22.691
16	66	10	90.667	2	22.667
19.2	64	12	90.514	2	22.629
19.68	67	13	90.528	2	22.632

8.31. Reg-48h: Internal Status and IRQ Control 1

Default: 0000'h

Table 46. Reg-48h: Internal Status and IRQ Control 1

Name	Bits	Read/Write	Reset State	Description
en_irq_ovcd	15	R/W	0'h	IRQ Output Source Decision for Over Current Status 0'b: Disable over current status to IRQ output 1'b: Enable over current status to IRQ output

Name	Bits	Read/Write	Reset State	Description
en_irq_ovtd	14	R/W	0'h	IRQ Output Source Decision for Over Temperature status 0'b: Disable over temperature status to IRQ output 1'b: Enable over temperature status to IRQ output
en_irq_jd	13	R/W	0'h	IRQ Output Source Decision for Jack Detection Status 0'b: Disable jack detection status to IRQ output 1'b: Enable jack detection status to IRQ output
Reserved	12:2	-	0'h	Reserved
inv_ovtd	1	R/W	0'h	Over Temperature Status Polarity 0'b: Normal 1'b: Output invert
inv_ovcd	0	R/W	0'h	Speaker Amplifier Over Current Status Polarity 0'b: Normal 1'b: Output invert

8.32. Reg-4Ah: Internal Status and IRQ Control 2

Default: 0700'h

Table 47. Reg-4Ah: Internal Status and IRQ Control 2

Name	Bits	Read/Write	Reset State	Description
en_adc_mono_source	15:14	R/W	0'h	ADC MONO Mode Data source select: 00'b: Disable 01'b: From L-CH 10'b: From R-CH 11'b: Reserved
Reserved	13:4	-	38'h	Reserved, don't change it
sta_jd_internal	3	R	0'h	JD Status 0'b: Low 1'b: High
sta_gpio	2	R	0'h	GPIO Pin Status 0'b: Low 1'b: High
ovt_status	1	R	0'h	Over Temperature Sensor Status 0'b: Normal 1'b: Over temperature
sta_ovcd	0	R	0'h	Speaker Amplifier Over Current Status 0'b: Normal 1'b: Over current

8.33. Reg-4Ch: GPIO Control

Default: 0000'h

Table 48. Reg-4Ch: GPIO Control

Name	Bits	Read/Write	Reset State	Description
sel_gpio_type	15	R/W	0'h	GPIO Pin Select 0'b: GPIO / DMIC_SDA 1'b: IRQ output
Reserved	14	-	0'h	Reserved
sel_dmic_scl	13:12	R/W	0'h	DMIC_SCL output Pin Select 00'b: DMIC Clock Output 01'b: PLL Output 10'b: Reserved 11'b: Reserved
Reserved	11:4	-	0'h	Reserved, don't change it
sel_gpio_dmic	3	R/W	0'h	GPIO or DMIC Data Input Selection 0'b: GPIO 1'b: DMIC Data Input
sel_gpio	2	R/W	0'h	GPIO Pin Configuration 0'b: Input 1'b: Output
sel_gpio_logic	1	R/W	0'h	GPIO Output Pin Control 0'b: Drive low 1'b: Drive high
inv_gpio	0	R/W	0'h	GPIO Pin Polarity 0'b: Normal 1'b: Output invert

8.34. Reg-52h: MISC. Control

Default: 2040'h

Table 49. Reg-52h: MISC. Control

Name	Bits	Read/Write	Reset State	Description
pow_thermal	15	R/W	0'h	Thermal Sensor Control 0'b: Disable 1'b: Enable thermal Sensor
en_thermal_shutdown	14	R/W	0'h	Thermal Shut Down Enable 0'b: Disable 1'b: Enable

Name	Bits	Read/Write	Reset State	Description
en_ovcd_hp	13	R/W	1'h	Enable HP Amp Over Current Protection 0'b: Disable 1'b: Enable
Reserved	12	-	0'h	Reserved
sel_ovcd_th_hp	11:10	R/W	0'h	HP Amp Over Current Protection Threshold 00'b: 100mA 01'b: 150mA 10'b: 200mA 11'b: 250mA
Reserved	9:8	-	0'h	Reserved
tmp_th_set	7:4	R/W	4'h	Temperature Sensor Threshold Setting 0000'b: NA 0001'b: -40 °C 0010'b: -30 °C 0011'b: -10 °C 0100'b: +10 °C 0101'b: +30 °C 0110'b: +60 °C 0111'b: +70 °C 1000'b: +80 °C 1001'b: +90 °C 1010'b: +100 °C 1011'b: +110 °C 1100'b: +120 °C 1101'b: +130 °C 1110'b: +150 °C 1111'b: Reserved
Reserved	3:0	-	0'h	Reserved

8.35. Reg-54h: De-POP Function Control 1

Default: 0000'h

Table 50. Reg-54h: De-POP Function Control 1

Name	Bits	Read/Write	Reset State	Description
Pow_softgen_hp	15	R/W	0'h	HP Soft Generator Control 0'b: Power down 1'b: Power on

Name	Bits	Read/Write	Reset State	Description
smtrtrig	14	R/W	0'h	HP Softgen Trigger Control 0'b: Power down 1'b: Power on
Reserved	13	R/W	0'b	Reserved, don't change it
En_dp_mono	12	R/W	0'b	Enable De-pop Mode for MONO Amp 0'b: Disable 1'b: Enable
Reserved	11	R/W	0'b	Reserved, don't change it
En_smt_mono	10	R/W	0'b	Enable MONO Amp Mute/Un-Mute De-Pop 0'b: Disable 1'b: Enable
Pdn_mono	9	R/W	0'b	Power Down MONO Amp Starts Up Signal 0'b: Disable 1'b: Enable
Reserved	8:7	R/W	0'h	Reserved, don't change it
En_dp_hp	6	R/W	0'h	Enable De-pop Mode for HPO 0'b: Disable 1'b: Enable
Pdn_l_hp	5	R/W	0'h	Power On HPO_L Start-Up Signal 0'b: Disable 1'b: Enable
Pdn_r_hp	4	R/W	0'h	Power On HPO_R Start-Up Signal 0'b: Disable 1'b: Enable
reserved	3:2	-	0'h	Reserved
En_smt_l_hp	1	R/W	0'h	Enable HPO_L Mute/Un-mute De-pop 0'b: Disable 1'b: Enable
En_smt_r_hp	0	R/W	0'h	Enable HPO_R Mute/Un-mute De-pop 0'b: Disable 1'b: Enable

8.36. Reg-56h: De-POP Function Control

Default: 0000'h

Table 51. Reg-56h: De-POP Function Control

Name	Bits	Read/Write	Reset State	Description
------	------	------------	-------------	-------------

Name	Bits	Read/Write	Reset State	Description
Depop_hp	15	R/W	0'h	De-pop Mode Control 0'b: Enable 1-bit de-pop function 1'b: De-pop function by register
pow_capless	14	R/W	0'h	Power on Cap-free Block with De-POP Mode 0'b: Power down 1'b: Power on
Reserved	13:0	R/W	0'h	Reserved, don't change it

8.37. Reg-5Ah: Jack Detection Control

Default: 0000'h

Table 52. Reg-5Ah: Jack Detection Control

Name	Bits	Read/Write	Reset State	Description																				
sel_jd_source	15:14	R/W	0'h	Jack Detect Pin Selection 00'b: Off 01'b: GPIO 10'b: JD1 and enable AXIL pin share 11'b: JD2 and enable AXIR pin share Note1: <table border="1" data-bbox="837 1048 1444 1294"> <thead> <tr> <th>sel_jd_source</th> <th>axil_pin_sharing</th> <th>axir_pin_sharing</th> <th>Enable ZCD For Mute</th> </tr> </thead> <tbody> <tr> <td>00'b</td> <td>0'b</td> <td>0'b</td> <td>FALSE</td> </tr> <tr> <td>01'b</td> <td>0'b</td> <td>0'b</td> <td>TRUE</td> </tr> <tr> <td>10'b</td> <td>1'b</td> <td>0'b</td> <td>TRUE</td> </tr> <tr> <td>11'b</td> <td>0'b</td> <td>1'b</td> <td>TRUE</td> </tr> </tbody> </table>	sel_jd_source	axil_pin_sharing	axir_pin_sharing	Enable ZCD For Mute	00'b	0'b	0'b	FALSE	01'b	0'b	0'b	TRUE	10'b	1'b	0'b	TRUE	11'b	0'b	1'b	TRUE
sel_jd_source	axil_pin_sharing	axir_pin_sharing	Enable ZCD For Mute																					
00'b	0'b	0'b	FALSE																					
01'b	0'b	0'b	TRUE																					
10'b	1'b	0'b	TRUE																					
11'b	0'b	1'b	TRUE																					
reserved	13:12	-	0'h	Reserved																				
en_jd_hpo	11	R/W	0'h	Jack Detect Trigger Target: HP_OUT 0'b: Disable HP_OUT 1'b: Enable HP_OUT																				
polarity_jd_tri_hpo	10	R/W	0'h	Jack Detect Trigger Polarity for HP_OUT 0'b: Low trigger 1'b: High trigger																				
en_jd_spo_l	9	R/W	0'h	Jack Detect Trigger Target: SPO_LP/LN 0'b: Disable SPO_LP/LN 1'b: Enable SPO_LP/LN																				

Name	Bits	Read/Write	Reset State	Description
polarity_jd_tri_spo_l	8	R/W	0'h	Jack Detect Trigger Polarity for SPO_LP/LN 0'b: Low trigger 1'b: High trigger
en_jd_spo_r	7	R/W	0'h	Jack Detect Trigger Target: SPO_RP/RN 0'b: Disable SPO_RP/RN 1'b: Enable SPO_RP/RN
polarity_jd_tri_spo_r	6	R/W	0'h	Jack Detect Trigger Polarity for SPO_RP/RN 0'b: Low trigger 1'b: High trigger
en_jd_mono	5	R/W	0'h	Jack Detect Trigger Target: MONOOUT 0'b: Disable MONOOUT 1'b: Enable MONOOUT
polarity_jd_tri_mono	4	R/W	0'h	Jack Detect Trigger Polarity for MONOOUT 0'b: Low trigger 1'b: High trigger
en_jd_axo1	3	R/W	0'h	Jack Detect Trigger Target: AXO1 0'b: Disable AXO1 1'b: Enable AXO1
polarity_jd_tri_axo1	2	R/W	0'h	Jack Detect Trigger Polarity AXO1 0'b: Low trigger 1'b: High trigger
en_jd_axo2	1	R/W	0'h	Jack Detect Trigger Target: AXO2 0'b: Disable AXO2 1'b: Enable AXO2
polarity_jd_tri_axo2	0	R/W	0'h	Jack Detect Polarity trigger AXO2 0'b: Low trigger 1'b: High trigger

8.38. Reg-5Ch: Soft Volume Control

Default: 07E9'h

Table 53. Reg-5Ch: Soft Volume Control

Name	Bits	Read/Write	Reset State	Description
en_softvol	15	R/W	0'h	Digital Soft Volume Delay Control 0'b: Disable 1'b: Enable
en_spo_svol	14	R/W	0'h	SPO L/R Soft Volume Delay Control 0'b: Disable 1'b: Enable
en_o_svol	13	R/W	0'h	Output Soft Volume Delay Control 0'b: Disable 1'b: Enable
en_hpo_svol	12	R/W	0'h	HPO Soft Volume Delay Control 0'b: Disable 1'b: Enable
en_rx_svol	11	R/W	0'h	MONOIN Soft Volume Delay Control 0'b: Disable 1'b: Enable
pow_zcd	10	R/W	1'h	Zero Crossing Control 0'b: Power down 1'b: Power on
en_axo1_zcd	9	R/W	1'h	AXO1 Mute/Un-Mute Zero Crossing Control 0'b: Disable 1'b: Enable
en_axo2_zcd	8	R/W	1'h	AXO2 Mute/Un-Mute Zero Crossing Control 0'b: Disable 1'b: Enable
en_spol_zcd	7	R/W	1'h	SPO Left Channel Mute/Un-Mute Zero Crossing Control 0'b: Disable 1'b: Enable
en_spor_zcd	6	R/W	1'h	SPO Right Channel Mute/Un-Mute Zero Crossing Control 0'b: Disable 1'b: Enable
en_mono_zcd	5	R/W	1'h	MONOOUT Mute/Un-Mute Zero Crossing Control 0'b: Disable 1'b: Enable
Reserved	4	-	0'h	Reserved

Name	Bits	Read/Write	Reset State	Description
sel_svol	3:0	R/W	9'h	Soft Volume Delay Time (Default=1001b) 0000'b: 1 * SYNC 0001'b: 2 * SYNC 0010'b: 4 * SYNC 0011'b: 8 * SYNC 0100'b: 16 * SYNC 0101'b: 32 * SYNC 0110'b: 64 * SYNC 0111'b: 128 * SYNC 1000'b: 256 * SYNC 1001'b: 512 * SYNC 1010'b: 1024 * SYNC Others: Reserved, SYNC=1/Fs

8.39. Reg-64h: ALC Control 1

Default: 0206'h

Table 54. Reg-64h: ALC Control 1

Name	Bits	Read/Write	Reset State	Description
Reserved	15:13	-	0'h	Reserved
sel_alc_atk	12:8	R/W	2'h	Select ALC Attack Rate ❶ 00'h: 83 uSec 01'h: 0.167 mSec ~ 10'h: 5.46 Sec Others: Reserved
Reserved	7:5	-	0'h	Reserved
sel_rc_rate	4:0	R/W	6'h	Select ALC Recovery Rate ❷ 00'h: 83 uSec 01'h: 0.167 mSec ~ 10'h: 5.46 Sec Others: Reserved

❶ Attack Time=(4*2ⁿ)/Sample_Rate, n=Reg64[12:8], default=0.33mS at sample rate = 48kHz
❷ Recovery Time=(4*2ⁿ)/Sample_Rate, n= Reg64 [4:0], default=5.3mS at sample rate = 48 kHz

8.40. Reg-65h: ALC Control 2

Default: 0000'h

Table 55. Reg-65h: ALC Control 2

Name	Bits	Read/Write	Reset State	Description
Reserved	15:4	-	0'h	Reserved
noise_gate_boost	3:0	R/W	0'h	Noise Level Reduction Gain when Signal is Below Noise Gate Level. ❶ 0000'b: 0dB 0001'b: 3dB 0010'b: 6dB ~ 1110'b: 42dB 1111'b: 45dB

❶ When signal is below noise gate, can select gain to reduce noise level. The noise level is equal to - (original noise level + reduction gain)

8.41. Reg-66h: ALC Control 3

Default: 2000'h

Table 56. Reg-66h: ALC Control 3

Name	Bits	Read/Write	Reset State	Description
sel_alc	15	R/W	0'h	ALC Select 0'b: Enable ALC for DAC path 1'b: Enable ALC for ADC path
alc_en	14	R/W	0'h	ALC Enable 1'b: ALC enable 0'b: ALC disable
update_alc_param	13	R/W	1'h	Update ALC Parameter Write 1'b to update all ALC parameter then auto clear to zero
sel_alc_thmax	12:8	R/W	0'h	ALC Limit Level 00'h: 0dBFS 01'h: -1.5dBFS 02'h: -3dBFS 03'h: -4.5dBFS ~ 1F'h: -46.5dBFS
en_alc_noise_gate	7	R/W	0'h	Noise Gate Function Control 0'b: Disable 1'b: Enable
en_alc_noise_gate_hold	6	R/W	0'h	Enable Noise Gate Hold Data Function 0'b: Disable 1'b: Enable
Reserved	5	-	0'h	Reserved

Name	Bits	Read/Write	Reset State	Description
sel_alc_noise_th	4:0	R/W	0'h	Noise Gate Threshold 00'h: -36dBFS 01'h: -375dBFS ~ 1F'h: -82.5 dBFS

8.42. Reg-68h: Pseudo Stereo and Spatial Effect Control

Default: 0553'h

Table 57. Reg-68h: Pseudo Stereo and Spatial Effect Control

Name	Bits	Read/Write	Reset State	Description
spatial_ctrl_en	15	R/W	0'h	Spatial Effect Enable 0: Disable 1: Enable
apf_en	14	R/W	0'h	Enable All Pass Filter (EN APF) 0: Disable 1: Enable The coefficient a1 is loaded from apf_parm_a1
pseudo_stereo_en	13	R/W	0'h	Enable Pseudo Stereo (EN-Pseudo) 0: Disable 1: Enable
en_3d	12	R/W	0'h	Enable Stereo Expansion (EN-3D) 0: Disable 1: Enable load 3D ratio from ratio_parm_3d and 3D Gain from gain_parm_3d
Gainl_parm_3d	11:10	R/W	1'h	3D Gain1 Parameter (SEGN) 00'b: Gain = 1.0 01'b: Gain = 1.5 10'b: Gain = 2.0 11'b: Reserved
Ratiol_parm_3d	9:8	R/W	1'h	3D Ratio1 Parameter (DPn) 00'b: Ratio = 0.0 01'b: Ratio = 0.66 10'b: Ratio = 1.0 11'b: Reserved
Gainr_parm_3d	7:6	R/W	1'h	3D Gain2 Parameter (SEGN) 00'b: Gain = 1.0 01'b: Gain = 1.5 10'b: Gain = 2.0 11'b: Reserved
ratiol_parm_3d	5:4	R/W	1'h	3D Ratio2 Parameter (DPn) 00'b: Ratio = 0.0 01'b: Ratio = 0.66 10'b: Ratio = 1.0 11'b: Reserved
Reserved	3:2	R	0'h	Reserved

Name	Bits	Read/Write	Reset State	Description
apf_parm_a1	1:0	R/W	3'h	All Pass Filter parameter a1 00'b: 0 01'b: -0.85 (for 32KHz sample rate or lower) 10'b: -0.90 (for 44.1KHz sample rate) 11'b: -0.95 (for 48KHz sample rate)

Note: Writes to SEGn and DPn will be ignored when the Spatial effect control bit is enabled. This means individual Spatial coefficients cannot be modified when Spatial is enabled.

8.43. Reg-6Ah: Index Address

Default: 0000'h

Table 58. Reg-6Ah: Index Address

Name	Bits	Read/Write	Reset State	Description
Reserved	15:7	-	0'h	Reserved
Index_reg_Addr	6:0	RW	0'h	Index Address

8.44. Reg-6Ch: Index Data

Default: 0000'h

Table 59. Reg-6Ch: Index Data

Name	Bits	Read/Write	Reset State	Description
Index_reg_data	15:0	RW	0'h	Index Data

8.45. Reg-6Eh: EQ Control 1

Default: 0000'h

Table 60. Reg-6Eh: EQ Control 1

Name	Bits	Read/Write	Reset State	Description
eq_sour	15	R/W	0'h	EQ Control 0'b: For DAC path 1'b: For ADC path

Name	Bits	Read/Write	Reset State	Description
eq_para_update	14	R	1'h	EQ Parameter Update Control Write 1'b to update all EQ parameter then auto clear to zero
sta_hpf2	13	R	0'h	EQ High Pass Filter 2 (HPF2) Status. 0'b: Normal 1'b: Overflow. This bit is set if overflow had ever occurred. Write 1'b to clear it.
sta_hpf1	12	R	0'h	EQ High Pass Filter 1 (HPF1) Status. 0'b: Normal 1'b: Overflow. This bit is set if overflow had ever occurred. Write 1'b to clear it.
sta_bpf3	11	R	0'h	EQ Band Pass Filter 3 (BP3) Status. 0'b: Normal 1'b: Overflow. This bit is set if overflow had ever occurred. Write 1'b to clear it.
sta_bpf2	10	R	0'h	EQ Band Pass Filter 2 (BP2) Status. 0'b: Normal 1'b: Overflow. This bit is set if overflow had ever occurred. Write 1'b to clear it.
sta_bpf1	9	R	0'h	EQ Band Pass Filter 1 (BP1) Status. 0'b: Normal 1'b: Overflow. This bit is set if overflow had ever occurred. Write 1'b to clear it.
sta_lpf	8	R	0'h	EQ Low Pass Filter (LPF) Status. 0'b: Normal 1'b: Overflow. This bit is set if overflow had ever occurred. Write 1'b to clear it.
reg_typ_hpf_en	7	R/W	0'h	EQ High Pass Filter 1 Mode Control 0'b: High frequency shelving filter 1'b: 1st order typical HPF (-20dB per decade)
reg_typ_lpf_en	6	R/W	0'h	EQ Low Pass Shelving Filter Mode Control 0'b: Low frequency shelving filter 1'b: 1st order typical LPF (-20dB per decade)
en_hpf2	5	R/W	0'h	EQ High Pass Shelving Filter 2 (HPF2) Control. 0'b: Disabled (bypass) and reset 1'b: Enabled
en_hpf1	4	R/W	0'h	EQ High Pass shelving Filter 1 (HPF2) Control. 0'b: Disabled (bypass) and reset 1'b: Enabled
en_bpf3	3	R/W	0'h	EQ Band Pass Filter 3 (BP3) Shelving Filter Control. 0'b: Disabled and reset 1'b: Enabled.
en_bpf2	2	R/W	0'h	EQ Band Pass Filter 2 (BP2) Shelving Filter Control. 0'b: Disabled and reset 1'b: Enabled.

Name	Bits	Read/Write	Reset State	Description
en_bpf1	1	R/W	0'h	EQ Band Pass Filter 1 (BP1) Shelving Filter Control. 0'b: Disabled and reset 1'b: Enabled.
en_lpf	0	R/W	0'h	EQ Low Pass Filter (LPF) Shelving Filter Control. 0: Disabled and reset 1: Enabled.

8.46. Index-00h: EQ Low Pass Filter Coefficient (LPF: a1)

Default: 1C10'h

Table 61. Index-00h: EQ Low Pass Filter Coefficient (LPF: a1)

Name	Bits	RW	Default	Description
lpf_a1	15:0	R/W	1C10'h	2's complement in 3.13 format. (The range is from -4 ~ 3.99, the a1 should be in -2 ~ 1.99)

Note: For low pass filter for Bass control – LP0 has filter coefficient a1 and gain Ho must be set

8.47. Index-01h: EQ Low Pass Filter Gain (LPF: Ho)

Default: 01F4'h

Table 62. Index-01h: EQ Low Pass Filter Gain (LPF: Ho)

Name	Bits	RW	Default	Description
lpf_h0	15:0	R/W	01F4'h	2's complement in 3.13 format. (The range is from -4 ~ 3.99, the ho should be in -4 ~ 3.99)

8.48. Index-02h: EQ Band Pass Filter 1 Coefficient (BPF1: a1)

Default: C5E9'h

Table 63. Index-02h: EQ Band Pass Filter 1 Coefficient (BPF1: a1)

Name	Bits	RW	Default	Description
bpf1_a1	15:0	R/W	C5E9'h	2's complement in 3.13 format. (The range is from -4 ~ 3.99, the a1 should be in -2 ~ 1.99)

8.49. Index-03h: EQ Band Pass Filter 1 Coefficient (BPF1: a2)

Default: 1A98'h

Table 64. Index-03h: EQ Band Pass Filter 1 Coefficient (BPF1: a2)

Name	Bits	RW	Default	Description
bpf1_a2	15:0	R/W	1A98'h	2's complement in 3.13 format. (The range is from -4 ~ 3.99, the a2 should be in -2 ~ 1.99)

8.50. Index-04h: EQ Band Pass Filter 1 Gain (BPF1: Ho)

Default: 1D2C'h

Table 65. Index-04h: EQ Band Pass Filter 1 Gain (BPF1: Ho)

Name	Bits	RW	Default	Description
bpf1_h0	15:0	R/W	1D2C'h	2's complement in 3.13 format. (The range is from -4 ~ 3.99, the ho should be in -4 ~ 3.99)

8.51. Index-05h: EQ Band Pass Filter 2 Coefficient (BPF2: a1)

Default: C882'h

Table 66. Index-05h: EQ Band Pass Filter 2 Coefficient (BPF2: a1)

Name	Bits	RW	Default	Description
bpf2_a1	15:0	R/W	C882'h	2's complement in 3.13 format. (The range is from -4 ~ 3.99, the a1 should be in -2 ~ 1.99)

8.52. Index-06h: EQ Band Pass Filter 2 Coefficient (BPF2: a2)

Default: 1C10'h

Table 67. Index-06h: EQ Band Pass Filter 2 Coefficient (BPF2: a2)

Name	Bits	RW	Default	Description
bpf2_a2	15:0	R/W	1C10'h	2's complement in 3.13 format. (The range is from -4 ~ 3.99, the a2 should be in -2 ~ 1.99)

8.53. Index-07h: EQ Band Pass Filter 2 Gain (BPF2: Ho)

Default: 01F4'h

Table 68. Index-07h: EQ Band Pass Filter 2 Gain (BPF2: Ho)

Name	Bits	RW	Default	Description
bpf2_h0	15:0	R/W	01F4'h	2's complement in 3.13 format. (The range is from -4 ~ 3.99, the ho should be in -4 ~ 3.99)

8.54. Index-08h: EQ Band Pass Filter 3 Coefficient (BPF3: a1)

Default: E904'h

Table 69. Index-08h: EQ Band Pass Filter 3 Coefficient (BPF3: a1)

Name	Bits	RW	Default	Description
bpf3_a1	15:0	R/W	E904'h	2's complement in 3.13 format. (The range is from -4 ~ 3.99, the a1 should be in -2 ~ 1.99)

8.55. Index-09h: EQ Band Pass Filter 3 Coefficient (BPF3: a2)

Default: 1C10'h

Table 70. Index-09h: EQ Band Pass Filter 3 Coefficient (BPF3: a2)

Name	Bits	RW	Default	Description
bpf3_a2	15:0	R/W	1C10'h	2's complement in 3.13 format. (The range is from -4 ~ 3.99, the a2 should be in -2 ~ 1.99)

8.56. Index-0Ah: EQ Band Pass Filter 3 Gain (BPF3: Ho)

Default: 01F4'h

Table 71. Index-0Ah: EQ Band Pass Filter 3 Gain (BPF3: Ho)

Name	Bits	RW	Default	Description
bpf3_h0	15:0	R/W	01F4'h	2's complement in 3.13 format. (The range is from -4 ~ 3.99, the ho should be in -4 ~ 3.99)

8.57. Index-0Bh: EQ High Pass Filter 1 Coefficient (HPF1: a1)

Default: 1C10'h

Table 72. Index-0Bh: EQ High Pass Filter 1 Coefficient (HPF1: a1)

Name	Bits	RW	Default	Description
Hpf1_a1	15:0	R/W	1C10'h	2's complement in 3.13 format. (The range is from -4 ~ 3.99, the a1 should be in -2 ~ 1.99)

8.58. Index-0Ch: EQ High Pass Filter 1 Gain (HPF1: Ho)

Default: 01F4'h

Table 73. Index-0Ch: EQ High Pass Filter 1 Gain (HPF1: Ho)

Name	Bits	RW	Default	Description
Hpf1_h0	15:0	R/W	01F4'h	2's complement in 3.13 format. (The range is from -4 ~ 3.99, the ho should be in -4 ~ 3.99)

8.59. Index-0Dh: EQ High Pass Filter 2 Coefficient (HPF2: a1)

Default: C01E'h

Table 74. Index-0Dh: EQ High Pass Filter 2 Coefficient (HPF1: a1)

Name	Bits	RW	Default	Description
Hpf2_a1	15:0	R/W	C01E'h	2's complement in 3.13 format. (The range is from -4 ~ 3.99, the a1 should be in -2 ~ 1.99)

8.60. Index-0Eh: EQ High Pass Filter 2 Coefficient (HPF2: a2)

Default: 1FE2'h

Table 75. Index-0Eh: EQ High Pass Filter 2 Coefficient (HPF1: a2)

Name	Bits	RW	Default	Description
Hpf2_a2	15:0	R/W	1FE2'h	2's complement in 3.13 format. (The range is from -4 ~ 3.99, the a2 should be in -2 ~ 1.99)

8.61. Index-0Fh: EQ High Pass Filter 2 Gain (HPF2: Ho)

Default: 1FF1'h

Table 76. Index-0Fh: EQ High Pass Filter 2 Gain (HPF2: Ho)

Name	Bits	RW	Default	Description
Hpf2_h0	15:0	R/W	1FF1'h	2's complement in 3.13 format. (The range is from -4 ~ 3.99, the ho should be in -4 ~ 3.99)

8.62. Index-11h: EQ Input Volume Control

Default: 8000'h

Table 77. Index-11h: EQ Input Volume Control

Name	Bits	RW	Default	Description
eq_sel_hidden	15	R/W	1'h	EQ Block Control 0'b: Disable (Bypass EQ) 1'b: Enable
reserved	14:3	R	0'h	Reserved
reg_eq_pre_vol	2:0	R/W	0'h	Volume Unsigned Ratio EQIn-VOL-LR 000'b: 0dB 001'b: -3dB 010'b: -6dB 011'b: -9dB 100'b: -12dB 101'b: -15dB 110'b: -18dB 111'b: -21dB

Note: Individual EQ coefficients cannot be modified when EQ is enabled.

8.63. Index-12h: EQ Output Volume Control

Default: 0003'h

Table 78. Index-12h: EQ Output Volume Control

Name	Bits	RW	Default	Description
reserved	15:4	R	0'h	Reserved
reg_eq_post_vol	3:0	R/W	3'h	Volume Unsigned Ratio EQOut-VOL-LR 0000'b: -4.5dB 0001'b: -3dB 0010'b: -1.5dB 0011'b: 0dB 0100'b: 1.5dB 0101'b: 3dB 0110'b: 4.5dB 0111'b: 6dB 1000'b: 7.5dB 1001'b: 9dB 1010'b: 10.5dB 1011'b: 12dB 1100'b: 13.5dB 1101'b: 15dB 1110'b: 16.5dB 1111'b: 18dB

8.64. Index-20h: ALC DAC Digital Volume

Default: 0000'h

Table 79. Index-20XXh: ALC DAC Digital Volume

Name	Bits	RW	Default	Description
sta_vol_dac_l	15:8	R	0'h	DAC left channel digital volume in 0.375 dB step 1

sta_vol_dac_r	7:0	R	0'h	DAC right channel digital volume in 0.375 dB step ❶
<i>For ❶</i>	<i>00h</i>	<i>0dB gain</i>		
	<i>FFh</i>	<i>95.625 dB attenuation</i>		

8.65. Index-21h: Auto Volume Control Register 1

Default: 4000'h

Table 80. Index-21h: Auto Volume Control Register 1

Name	Bits	RW	Default	Description
sel_alc_lpf_coef	15:13	R/W	2'h	Select low pass filter coefficient of energy detect 000'b: 2 ⁻⁴ 001'b: 2 ⁻⁵ 010'b: 2 ⁻⁶ 011'b: 2 ⁻⁷ 100'b: 2 ⁻⁸
sel_alc_min_range	12	R/W	0'h	Select slow bound of threshold 0'b: +0.375dB 1'b: +0.75dB
reserved	11:9	R	0'h	Reserved
sel_dac_post_bst	8:4	R/W	0'h	Digital Post-BOOST (1.5dB/step) 00'h= 0dB 01'h= 1.5dB 02'h= 3dB 03'h= 4.5dB 13'h= 28.5dBFS Others: Reserved
sel_alc_atk_speed	3:2	R/W	0'h	Select gain step when energy of ALC is large than full scale 00'b: -0.375dB/step 01'b: -1.125dB/step 10'b: -1.875dB/step 11'b: -2.625dB/step

sel_alc_full_th	1:0	R/W	0'h	Full scale targe 00'b: 0dBFS 01'b: -1.5dBFS 10'b: -3dBFS 11'b: -4.5dBFS
-----------------	-----	-----	-----	---

8.66. Index-22h: Auto Volume Control Register 2

Default: A280'h

Table 81. Index-22h: Auto Volume Control Register 2

Name	Bits	RW	Default	Description
en_rc_fast	15	R/W	1'h	Enable Fast recovery 0'b: Disable 1'b: Enable
ctl_alc_force_fast_r c	14	R/W	0'h	ALC force fast recovery control 0'b: Disable Force fast recovery 1'b: Enable Force fast recovery immediately
en_alc_force_fast_r c	13	R/W	1'h	Enable ALC force fast recovery control 0'b: Disable fast recovery for special case 1'b: Enable fast recovery for normal use
sel_alc_fast_rate	12:8	R/W	2'h	Select fast ALC recovery rate ❶ 00'h: 83 uSec 01'h: 0.167 mSec 10'h: 5.46 Sec Others: Reserved
en_alc_zero_data	7	R/W	1'h	Enable zero date detection 0'b: Disable 1'b: Enable
Reserved	6:3	R	0'h	Reserved

sel_alc_zero_th	2:0	R/W	0'h	Zero Date Threshold (-1.5dB/step) 000'b: -84dBFS 001'b: -85.5dBFS 010'b: -87dBFS 011'b: -88.5dBFS 100'b: -90dBFS 101'b: -91.5dBFS 110'b: -93dBFS 111'b: -94.5dBFS
-----------------	-----	-----	-----	---

① Fast recovery time= $(4 \cdot 2^n) / \text{Sample_Rate}$, n=PR22[12:8], default=0.33mS

HEX	DEC	Fast Attack Time
0	0	8.33333E-05
1	1	0.000166667
2	2	0.000333333
3	3	0.000666667
4	4	0.001333333
5	5	0.002666667
6	6	0.005333333
7	7	0.010666667
8	8	0.021333333
9	9	0.042666667
A	10	0.085333333
B	11	0.170666667
C	12	0.341333333
D	13	0.682666667
E	14	1.365333333
F	15	2.730666667
10	16	5.461333333

8.67. Index-23h: Auto Level Control Register 3

Default: 0404'h

Table 82. Index-23h: Auto Level Control Register 3

Name	Bits	RW	Default	Description
sel_alc_rc_wd_max	15:8	R/W	4'h	Set Upper bound of fast recovery windows(unit : sample) ❶
sel_alc_rc_wd_min	7:0	R/W	4'h	Set Lower bound of fast recovery windows (unit : sample) ❷

❶ fast recovery time max = (256*n)/Sample Rate, Default = 21.3mS

❷ fast recovery time min = (128*n)/Sample Rate, Default = 10.65mS

8.68. Index-4Ah: Class-D internal Register

Default: E300'h

Table 83. Index-4Ah: Class-D internal Register

Name	Bits	RW	Default	Description
Reserved	15	R/W	0'h	Reserved, don't change it
fbgain_clsd	14:12	R/W	0'h	Speaker Gain Control adapted for PVDD 000: 1x 001: 1.1x 010: 1.27x 011: 1.44x 100: 1.56x 101:1.68x 110: 2.0x 111: 2.34x Note: When en_spk_auto_ratio=0'b, this register can set AC and DC gain ratio of SPK Amplifier. This Register is not work when en_spk_auto_ratio=1'b
Reserved	11:0	R/W	F40'h	Reserved, don't change it

8.69. Reg-7Ch: Vendor ID 1

Default: 10EC'h

Table 84. Reg-7Ch: Vendor ID 1

Name	Bits	Read/Write	Reset State	Description
vender_id1	15:0	R	10EC'h	Vendor ID=10EC

9. Electrical Characteristics

9.1. DC Characteristics

9.1.1. Absolute Maximum Ratings

Table 85. Absolute Maximum Ratings

Parameter	Symbol	Min	Typ	Max	Units
Power Supplies					
Digital IO Buffer	DBVDD	-0.3	-	3.63	V
Digital Core	DCVDD	-0.3	-	3.63	V
Analog	AVDD	-0.3	-	3.63	V
Headphone	CPVDD	-0.3	-	3.63	V
Speaker	SPKVDD	-0.3	-	7	V
Operating Ambient Temperature	Ta	-25	-	+85	°C
Storage Temperature	Ts	-55	-	+125	°C

9.1.2. Recommended Operating Conditions

Table 86. Recommended Operating Conditions

Parameter	Symbol	Min	Typ	Max	Units
Digital IO Buffer	DBVDD	1.71	3.3	3.6	V
Digital Core	DCVDD	1.71	3.3	3.6	V
Analog	AVDD	2.3	3.3	3.6	V
Headphone	CPVDD	2.3	3.3	3.6	V
Speaker	SPKVDD ¹	3.0	3.3	5	V

Note 1: A 10 μ F Capacitor must be connected from SPKVDD to SPKGND, and should be placed as close as possible to the SPKVDD pin.

9.1.3. Static Characteristics

Table 87. Static Characteristics

Parameter	Symbol	Min	Typ	Max	Units
Input Voltage Range	V _{IN}	-0.30	-	DBVDD+0.30	V
Low Level Input Voltage	V _{IL}	-	-	0.35DBVDD	V
High Level Input Voltage	V _{IH}	0.65DBVDD	-	-	V
High Level Output Voltage	V _{OH}	0.9DBVDD	-	-	V
Low Level Output Voltage	V _{OL}	-	-	0.1DBVDD	V
Input Leakage Current	-	-1	-	1	μ A
Output Leakage Current (Hi-Z)	-	-1	-	1	μ A
Output Buffer High Drive Current	-	-	22	-	mA
Output Buffer Low Drive Current	-	-	10	-	mA
V _{MID} Internal Serial Resistor	-	25	50	75	K Ω
V _{MID} Internal Serial Resistor Ratio	-	95	100	105	%

Note: DVDD=3.3V, T_{ambient}=25°C, with 50pF external load.

9.2. Analog Performance Characteristics

Table 88. Analog Performance Characteristics

Parameter	Min	Typ	Max	Units
Full Scale Input Voltage				
Line Inputs (Single-ended)	-	1.0	-	V _{rms}
Line Inputs (Differential)	-	1.0	-	V _{rms}
MIC Inputs (Single-ended)	-	1.0	-	V _{rms}
MIC Inputs (Differential)	-	1.0	-	V _{rms}
Full Scale Output Voltage				
Line Outputs (Single-ended)	-	1.0	-	V _{rms}
Line Outputs (Differential)	-	2.0	-	V _{rms}
Headphone Amplifiers Outputs	-	1.0	-	V _{rms}
Speaker Amplifiers Outputs (SPKVDD=3.6V with 8Ω Load, 1% THD+N)	-	2.3	-	V _{rms}
S/N Ratio (A-weighted, HPL/R or MONO with 10KΩ/50pF Load)				
STEREO DAC	-	98	100	dB
STEREO ADC	-	93	-	dB
Total Harmonic Distortion + Noise (HPL/R or MONO with 10KΩ/50pF Load)				
STEREO DAC	-	-90	-	dB
STEREO ADC	-	-88	-	dB
Input Impedance (Gain=0dB, ADC Mixer=On/Off)				
MIC1 Inputs	-	16	-	KΩ
Input Impedance (Gain=0dB, ADC Mixer=On)				
LINE_IN	-	16	-	KΩ
Input Impedance (Gain=0dB, ADC Mixer=Off)				
LINE_IN	-	32	-	KΩ
Output Impedance				
MONO_OUT	-	2	-	Ω
AXO1/2	-	2	-	Ω
HP_OUT	-	2	-	Ω
SPK_OUT (Class-D)	-	0.4	-	Ω
MONO_OUT Amplifier Output Power (32Ω Load) BTL Mode				
	-	-	100	mW
MONO_OUT Amplifier Quiescent Current (32Ω Load)/CH	-	700	-	μA
MONO_OUT Amplifier THD+N BTL Mode (32Ω Load, RX_IN to MONO_OUT)				
Output Power = 100mW	-	0.1	-	%
Output Power = 50mW	-	<0.02	-	%
MONO_OUT Amplifier PSRR	-	60	-	dB
Headphone Amplifier Output Power (< 1 % THD, 16Ω Load)	-	50	-	mW

Parameter	Min	Typ	Max	Units
Headphone Amplifier THD+N (32Ω Load)				
Output Power=20mW	-	-70	-	dB
Output Power=25mW	-	-70	-	dB
Headphone Amplifier PSRR	-	68	-	dB
Class-D BTL Speaker Amplifier Output Power				
(SPKVDD=3.6V with 8Ω Load, 1% THD+N)	-	0.68	-	W
(SPKVDD=3.6V with 8Ω Load, 10% THD+N)	-	0.9	-	W
(SPKVDD=3.6V with 4Ω Load, 1% THD+N)	-	1.1	-	W
(SPKVDD=3.6V with 4Ω Load, 10% THD+N)	-	1.5	-	W
Class-D BTL Speaker Amplifier Output Power				
(SPKVDD=4.2V with 8Ω Load, 1% THD+N)	-	1.0	-	W
(SPKVDD=4.2V with 8Ω Load, 10% THD+N)	-	1.3	-	W
(SPKVDD=4.2V with 4Ω Load, 1% THD+N)	-	1.8	-	W
(SPKVDD=4.2V with 4Ω Load, 10% THD+N)	-	2.1	-	W
Class-D BTL Speaker Amplifier Output Power				
(SPKVDD=5.0V with 8Ω Load, 1% THD+N)	-	1.2	-	W
(SPKVDD=5.0V with 8Ω Load, 10% THD+N)	-	1.5	-	W
(SPKVDD=5.0V with 4Ω Load, 1% THD+N)	-	2.1	-	W
(SPKVDD=5.0V with 4Ω Load, 10% THD+N)	-	2.8	-	W
Class-D BTL Speaker Amplifier THD+N Performance				
(SPKVDD=3.6V with 8Ω Load, 500mW)	-	<0.02	-	%
BTL Speaker Amplifier Quiescent Current				
(8Ω Load, SPKVDD=3.6V)				
Class-D	-	4	-	mA
BTL Speaker Amplifier Efficiency				
(f_{IN} =1kHz, 4Ω Load, SPKVDD=5.0V, Output Power=2.8W, with LC filter, L=33uH and C=1uF)				
Class-D	-	82	-	%
BTL Speaker Amplifier PSRR	-	65	-	dB
Stand-By Current				
Istand-by (DAC to HP_OUT with 16 Ohm Load, No Clock)	-	8	-	mA
Istand-by (DAC to HP_OUT with 16 Ohm Load, With Clock)	-	10	-	mA
Istand-by (MIC_IN_One Channel to ADC, No Clock)	-	6	-	mA
Istand-by (MIC_IN_One Channel to ADC, With Clock)	-	9.5	-	mA
Power Down Current				
I _{DDA} (Analog Block)	-	-	10	μA
I _{DD} (Digital Block)	-	-	1	μA
MICBIAS1 Output Voltage				
0.75*AVDD Setting	-	2.475	-	V
0.9*AVDD Setting	-	2.97	-	V
MICBIAS2 Output Voltage				
0.75*AVDD Setting	-	2.475	-	V
0.9*AVDD Setting	-	2.97	-	V

Parameter	Min	Typ	Max	Units
MICBIAS1 and MICBIAS2 Drive Current				
MICBIAS = 2.5V	-	5	-	mA
MICBIAS = 2.4V	-	9	-	mA
Vref Pull Up Resistor	-	50	-	K Ω

Note: Standard test conditions:

$T_{\text{ambient}}=25^{\circ}\text{C}$, DBVDD=DCVDD=AVDD=CPVDD=3.3V, SPKVDD=5.0V.

1kHz input sine wave; PCM Sampling frequency=48kHz; 0dB=1Vrms, Test bench Characterization BW: 10Hz~22kHz, 0dB attenuation; EQ and 3D disabled.

Table 89. Thermal Information

Parameter	Symbol	Min	Typ	Max	Units
QFN48 Thermal Impedance (Junction to Case)	θ_{jc}	-	8.4	-	$^{\circ}\text{C}/\text{W}$
QFN48 Thermal Impedance (Junction to Ambient)	θ_{ja}	-	28	-	$^{\circ}\text{C}/\text{W}$

9.3. Signal Timing

9.3.1. I²C Control Interface

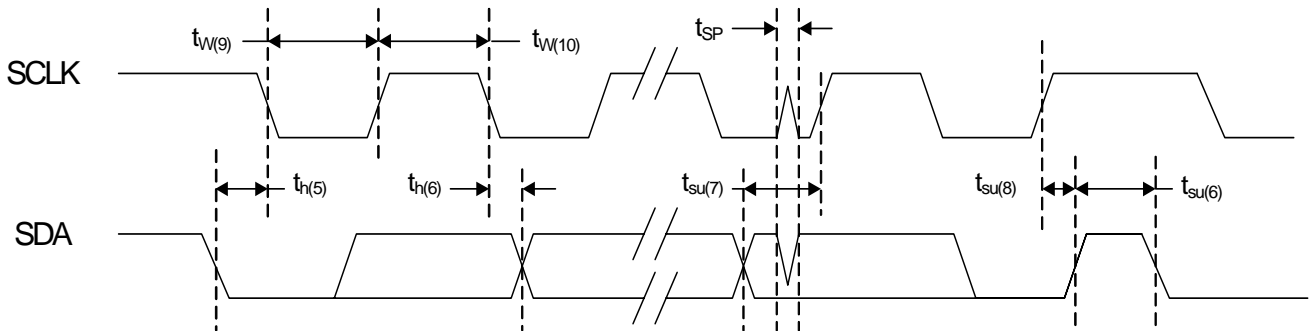


Figure 18. I²C Control Interface

Table 90. I²C Timing

Parameter	Symbol	Minimum	Typical	Maximum	Units
Clock Pulse Duration	$t_{w(9)}$	1.3	-	-	μ s
Clock Pulse Duration	$t_{w(10)}$	600	-	-	ns
Clock Frequency	f	0	-	400K	Hz
Re-Start Setup Time	$t_{su(6)}$	600	-	-	ns
Start Hold Time	$t_{h(5)}$	600	-	-	ns
Data Setup Time	$t_{su(7)}$	100	-	-	ns
Data Hold Time	$t_{h(6)}$	- 0 ^①	-	- 900 ^②	ns
Rising Time	t_r	-	-	300	ns
Falling Time	t_f	-	-	300	ns
Stop Setup Time	$t_{su(8)}$	600	-	-	ns
Pulse Width of Spikes Suppressed Input Filter	t_{sp}	0	-	50	ns

① A device must internally provide a hold time of at least 300ns for SDA signal to bridge the undefined region of the falling edge of SCL

② The maximum $t_{h(6)}$ has only to be met if the device does not stretch the low period ($t_{w(9)}$) of the SCLK.

9.3.2. I²S/PCM Interface Master Mode

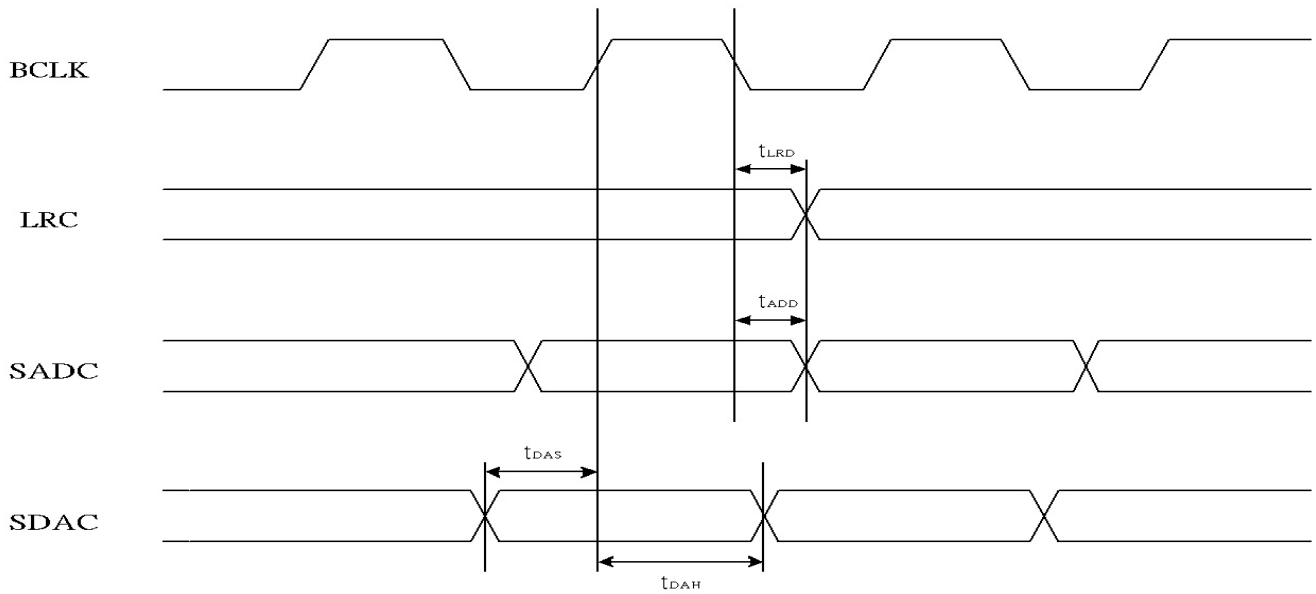


Figure 19. Timing of I²S/PCM Master Mode

Table 91. Timing of I²S/PCM Master Mode

Parameter	Symbol	Min	Typ	Max	Units
LRCK Output to BCLK Delay	t_{LRD}	-	-	30	ns
Data Output to BCLK Delay	t_{ADD}	-	-	30	ns
Data Input Setup Time	t_{DAS}	10	-	-	ns
Data Input Hold Time	t_{DAH}	10	-	-	ns

9.3.3. I²S/PCM Interface Slave Mode

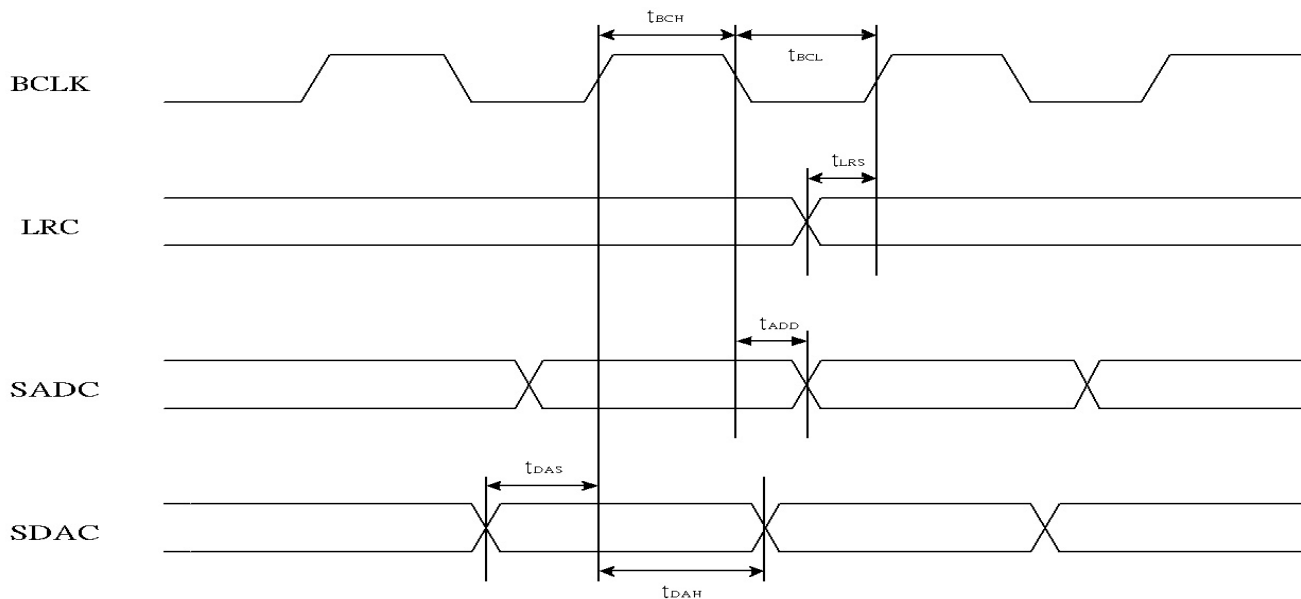


Figure 20. I²S/PCM Slave Mode Timing

Table 92. I²S/PCM Slave Mode Timing

Parameter	Symbol	Min	Typ	Max	Units
BCLK High Pulse Width	t_{BCH}	20	-	-	ns
BCLK Low Pulse Width	t_{BCL}	20	-	-	ns
LRCK Input Setup Time	t_{LRS}	30	-	-	ns
Data Output to BCLK Delay	t_{ADD}	-	-	30	ns
Data Input Setup Time	t_{DAS}	10	-	-	ns
Data Input Hold Time	t_{DAH}	10	-	-	ns

10. Application Circuits

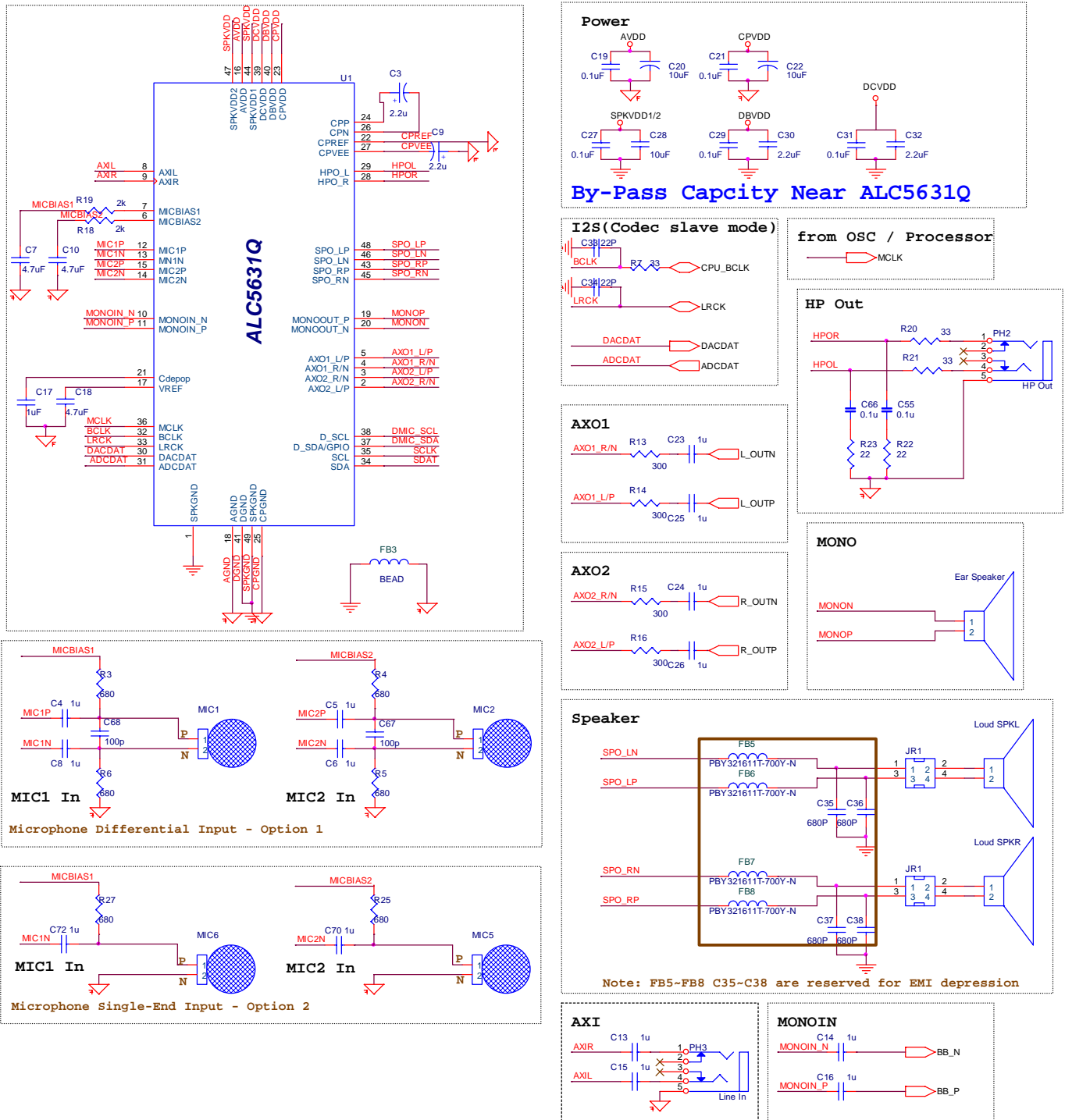
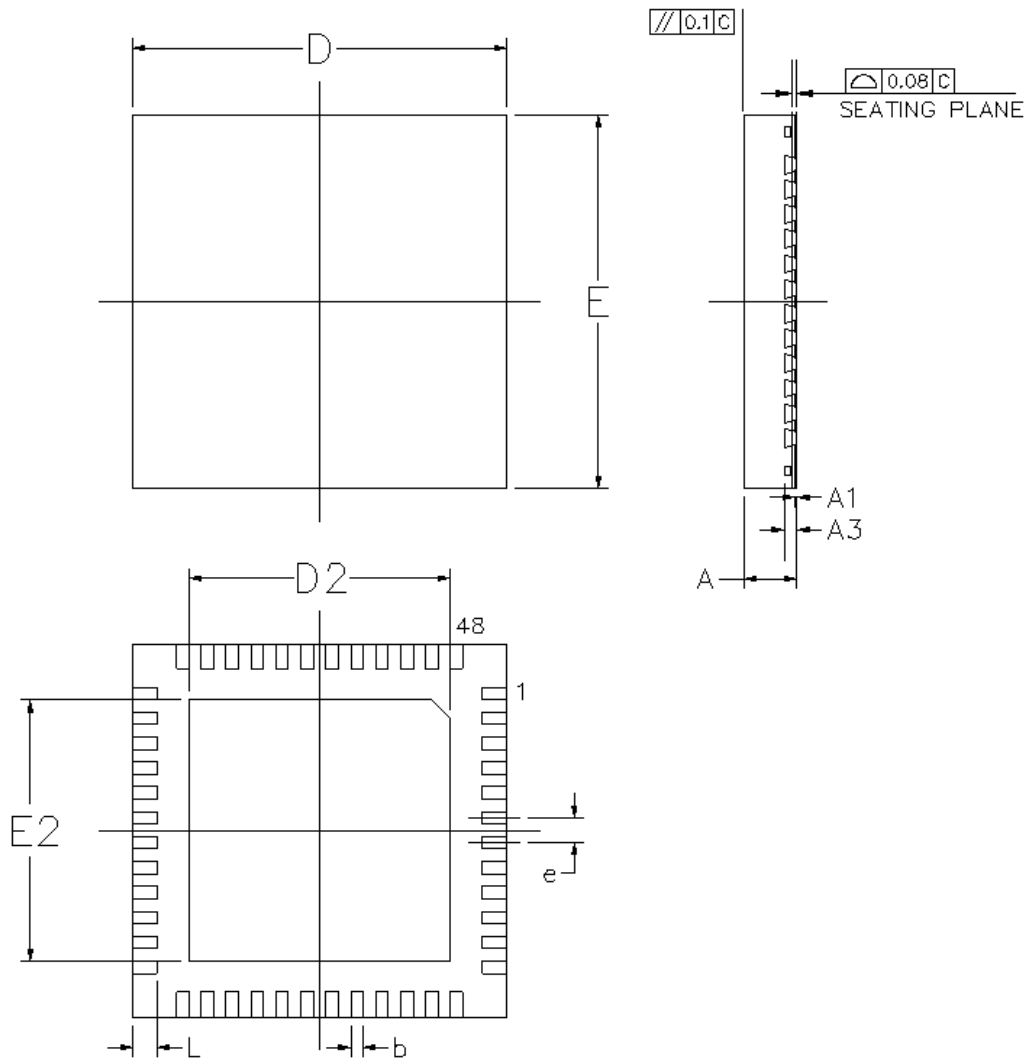


Figure 21. Application Circuit

11. Mechanical Dimensions



Symbol	Dimension in mm			Dimension in inch		
	Min	Nom	Max	Min	Nom	Max
A	0.75	0.85	1.00	0.030	0.034	0.039
A ₁	0.00	0.02	0.05	0.000	0.001	0.002
A ₃	0.20 REF			0.008 REF		
b	0.15	0.20	0.25	0.006	0.008	0.010
D/E	6.00BSC			0.236BSC		
D2/E2	4.15	4.4	4.65	0.163	0.173	0.183
e	0.40BSC			0.016BSC		
L	0.30	0.40	0.50	0.012	0.016	0.020

Notes··

1. CONTROLLING DIMENSION·· MILLIMETER(mm).
2. REFERENCE DOCUMENTL·· JEDEC MO-220.

Figure 22. Package Dimension

12. Ordering Information

Table 93. Ordering Information

Part Number	Package	Status
ALC5631Q-GR	48-Ball QFN in 'Green' Package (Tray)	MP
ALC5631Q-GRT	48-Ball QFN in 'Green' Package (Tape & Reel)	MP

**Realtek Semiconductor Corp.
Headquarters**

No. 2, Innovation Road II
Hsinchu Science Park, Hsinchu 300, Taiwan
Tel.: +886-3-578-0211. Fax: +886-3-577-6047

www.realtek.com