

# PulseJack™

## 1X1 Tab-Down RJ45

100 Base-TX RJ45 1X1 Tab-Down 8 pin Integrated Magnetics Connector, designed for industrial rated applications and is suitable for reflow solder mounting.



### Features and Benefits:

- High Temperature rated parts designed for use in Pin-in-Paste processing with 260°C max reflow temperature
- Meets IEEE802.3 specification
- 350µH minimum OCL with 8mA DC bias current
- Extended Temperature range from -40°C to 85°C

### Electrical Specifications @ 25°C - Operating Temperature -40°C to +85°C

Part Number <sup>1</sup>	EMI Fingers	LED (L/R)	Insertion Loss 1 - 65MHz (dB TYP)	Return Loss (dB TYP)			CCMR (dB TYP)		Crosstalk (dB TYP)			Hipot (Vrms)
				1 - 10 MHz	30 MHz	60 - 80 MHz	1 - 50 MHz	50 - 130 MHz	1 - 10 MHz	30 - 60 MHz	60 - 100 MHz	
JXRO-0001NL	YES	-	-1.0	-20	-16	-10	-30	-20	-40	-35	-30	1500
JXRO-0005NL	NO	-	-1.0	-20	-16	-10	-30	-20	-40	-35	-30	1500
JXRO-0011NL	YES	G/Y	-1.0	-20	-16	-10	-30	-20	-40	-35	-30	1500
JXRO-0015NL	NO	G/Y	-1.0	-20	-16	-10	-30	-20	-40	-35	-30	1500

#### Notes:

- When ordering JXRO-0011NL supplied in **Tape and Reel**, please add a "T" on the end of the part code - e.g. JXRO-0011NL becomes JXRO-0011NLT.
- Maximum Reflow Solder Temperature: 2x SRP 260°C for 5 seconds with LEDs and 2x SRP 260°C for 10 seconds

### RJ45 Durability Testing Rating

Part Number	Mating Force (MAX)	Unmating Force (MAX)	Durability	Plug to Jack Retention (MIN)
JXRO - Series	5 lbs./2.268 kgs.	5 lbs./2.268 kgs.	750 Insertions	20 lbs./9.072 kgs.

### RJ45 Material Specification

Part Number	Shield		Contact			Housing		MSL <sup>2</sup>
	Material	Finish	Material	Plating Area	Solder Area	Material	Specification	Rating
JXRO - Series	Brass	10-20m inches Nickel over 10-20m inches Brass	Phosphor Bronze	Nickel underplating and selective gold plating 30µ inches	Matte Tin finish oyer Nickel	Thermoplastic	UL 94 V-0	1

Notes: **1.** Connector dimensions comply with FCC dimension requirements. **2.** MSL = Moisture Sensitivity Level rating from 1 to 5 (highest rating = 1, lowest rating = 5).

# PulseJack™

## 1X1 Tab-Down RJ45

100 Base-TX RJ45 1X1 Tab-Down 8 pin Integrated Magnetics Connector, designed for industrial rated applications and is suitable for reflow solder mounting.

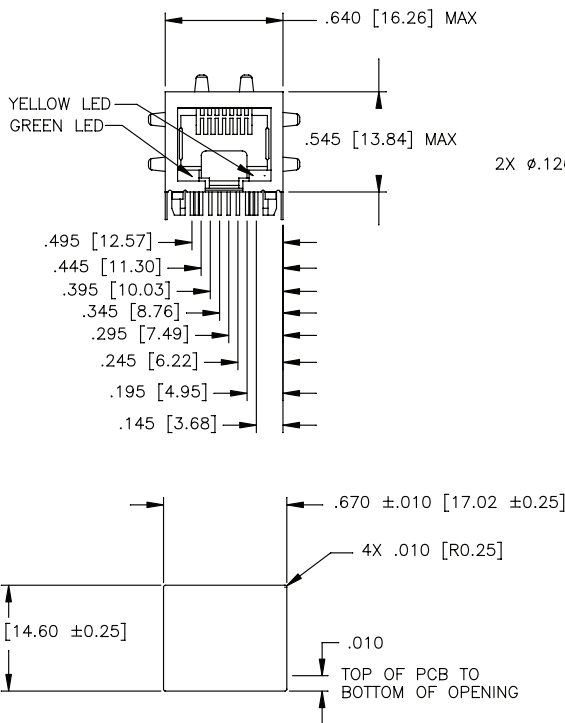
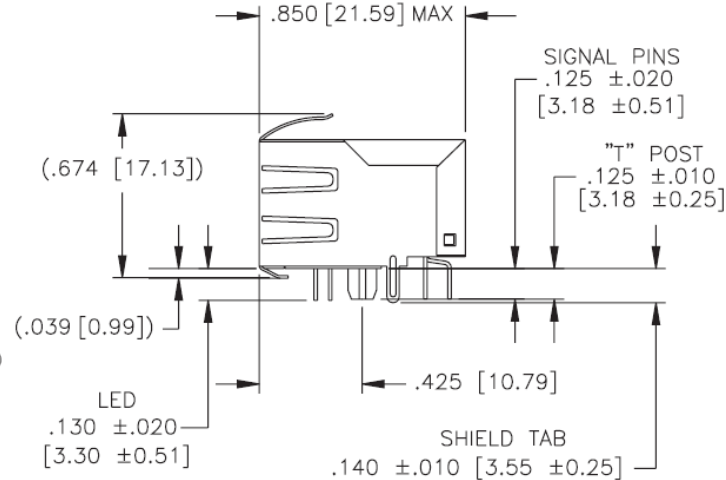


### Mechanicals

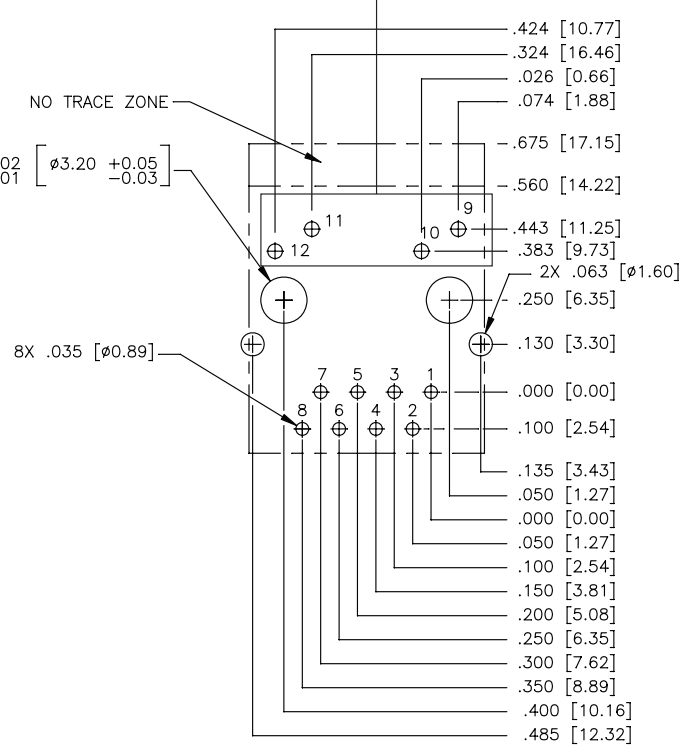
JXRO-0001/JXRO-0011NL

Dimensions:  $\frac{\text{Inches}}{\text{mm}}$

Unless otherwise specified, all tolerances are  $\pm \frac{.010}{.25}$



PINS 9, 10, 11 and 12 are omitted on JXRO-0001NL



### RECOMMENDED PANEL CUTOUT

### RECOMMENDED PCB LAYOUT VIEWED FROM COMPONENT SIDE

PCB LAYOUT DIMENSIONS REFERENCED TO PIN#1 AND ±.003 UNLESS OTHERWISE SPECIFIED



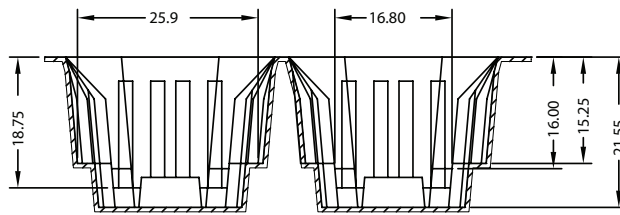
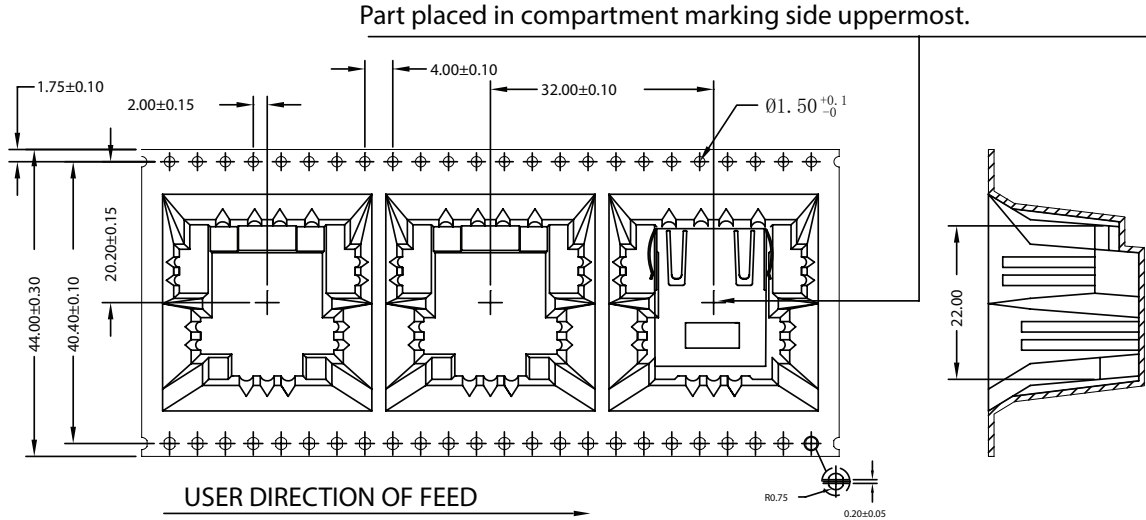
# PulseJack™

## 1X1 Tab-Down RJ45

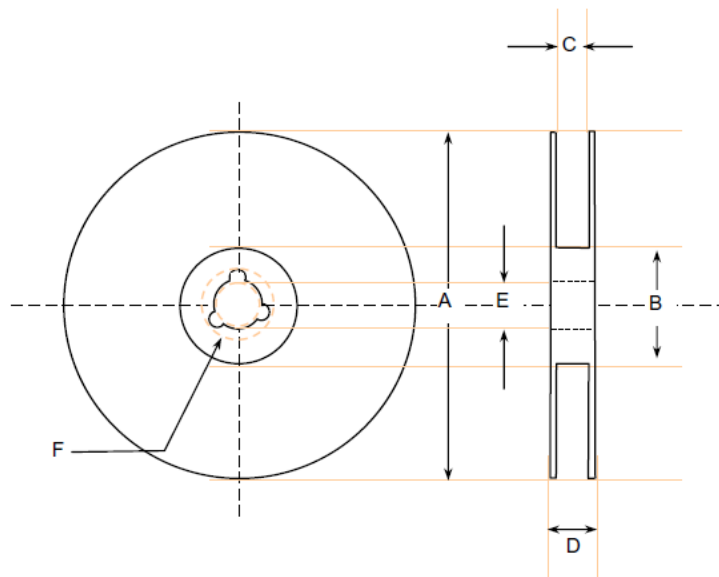
100 Base-TX RJ45 1X1 Tab-Down 8 pin Integrated Magnetics Connector, designed for industrial rated applications and is suitable for reflow solder mounting.



### Tape and Reel Specification



**Dimensions:** given in mm  
Unless otherwise specified, all tolerances are  $\pm 0.15$



#### PACKING SPECIFICATION:

JXR0-00xxNLT = TAPE and REEL .....80 parts/reel  
 JXR0-00xxNL = TUBE .....25 parts  
 JXR0-00x5NL = TUBE .....30 parts

#### REEL SPECIFICATION in mm

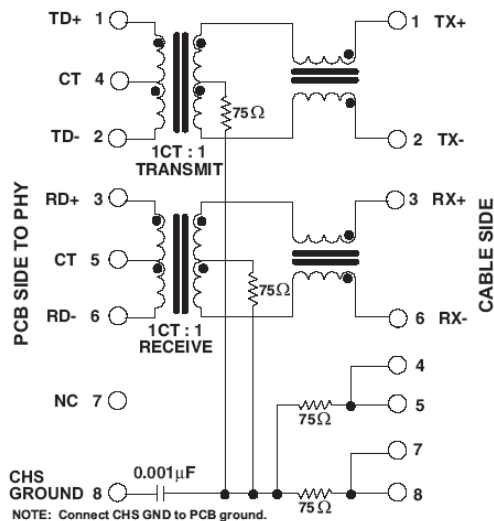
A =  $\varnothing$  360.0  $\pm$ -2.0    C =  $\varnothing$  45.4  $\pm$ -1.0    C =  $\varnothing$  13.1  $\pm$ -0.3  
 B =  $\varnothing$  100.0  $\pm$ -0.5    D =  $\varnothing$  50.4  $\pm$ -1.0    D =  $\varnothing$  21.0  $\pm$ -0.5

# PulseJack™

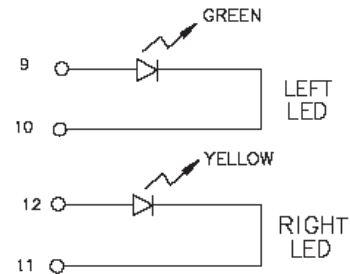
## 1X1 Tab-Down RJ45

100 Base-TX RJ45 1X1 Tab-Down 8 pin Integrated Magnetics Connector, designed for industrial rated applications and is suitable for reflow solder mounting

### Electrical Schematic



### LED Specification



Standard LED	Wavelength	Forward* V (MAX)	(TYP)
Yellow	585 nm	2.5 V	2.1 V
Green	565 nm	2.5 V	2.2 V

\* Assumes bias current = 20mA

### For More Information

**Pulse Worldwide Headquarters**  
12220 World Trade Drive  
San Diego, CA  
92128  
U.S.A.

**Pulse Europe**  
Einsteinstrasse 1  
D-71083 Herrenberg  
Germany

**Pulse China Headquarters**  
B402, Shenzhen Academy of  
Aerospace Technology Bldg.  
10th Kejian Road  
High-Tech Zone  
Nanshan District  
Shenzhen, PR China  
518057  
Tel: 86 755 33966678  
Fax: 86 755 33966700

**Pulse North China**  
Room 2704/2705  
Super Ocean Finance  
Ctr.  
2067 Yan An Road  
West  
Shanghai 200336  
China  
Tel: 86 21 62787060  
Fax: 86 2162786973

**Pulse South Asia**  
135 Joo Seng Road  
#03-02  
PM Industrial Bldg.  
Singapore 368363  
Tel: 65 6287 8998  
Fax: 65 6287 8998

**Pulse North Asia**  
3F, No. 198  
Zhongyuan Road  
Zhongli City  
Taoyuan County 320  
Taiwan R. O. C.  
Tel: 886 3 4356768  
Fax: 886 3 4356823 (Pulse)  
Fax: 886 3 4356820 (FRE)

Performance warranty of products offered on this data sheet is limited to the parameters specified. Data is subject to change without notice. Other brand and product names mentioned herein may be trademarks or registered trademarks of their respective owners. © Copyright, 2014. Pulse Electronics, Inc. All rights reserved.

# Mouser Electronics

Authorized Distributor

Click to View Pricing, Inventory, Delivery & Lifecycle Information:

Pulse:

[JXR0-0015NL](#) [JXR0-0011NL](#)