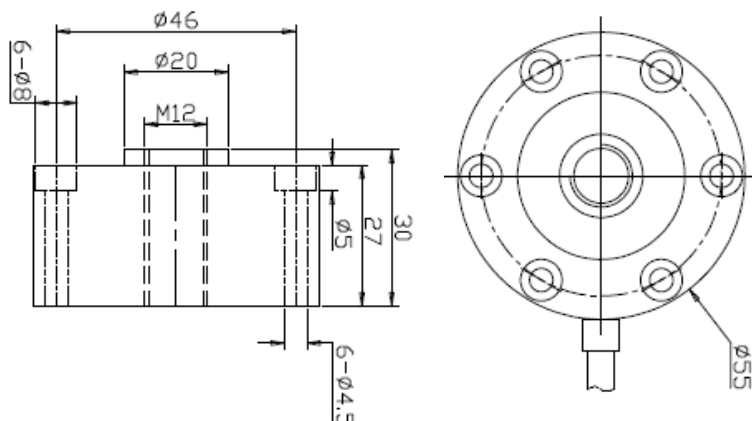


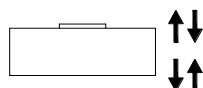
拉压力传感器/Force sensor

F7L

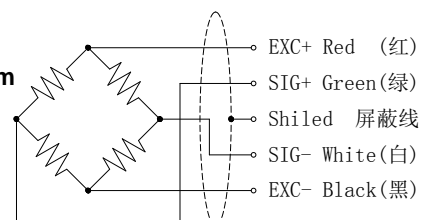


量程 / Capacity: 50~2000kg

受力方式 / Load Direction



接线图/ Schematic Wiring Diagram



参数/Specifications:

输出灵敏度 Rated output	2.0±10% mV / V	输出电阻 Output impedance	700±5Ω
零点输出 Zero balance	± 1 % F.S.	绝缘电阻 Insulation	≥5000MΩ/100VDC
非线性 Non-linearity	0.1% F.S.	激励电压 Recommended excitation	5~10V
滞后 Hysteresis	0.1% F.S.	最大激励电压 Maximum excitation 15 V	15V
重复性 Repeatability	0.1% F.S.	温度补偿范围 Compensated temp range	- 10 ~ 60 °C
蠕变 (30 分钟) Creep (30min)	0.05 % F.S.	工作温度范围 Operation temp range	- 20 ~ 80°C
温度灵敏度漂移 Temp.effect on output	0.05 % F.S. / 10°C	安全超载 Safe overload	150% F.S.
零点温度漂移 Temp.effect on zero	0.05 % F.S. / 10°C	极限超载 Ultimate overload	200 % F.S.
输入电阻 Input impedance	780±10Ω	防护等级 Protection class	IP67

■材料：不锈钢/合金钢■Material: stainless steel / alloy steel.

■特点：综合精度高，抗偏载能力强，抗干扰强，抗疲劳强等。■ Features: high precision, anti-partial load capacity, strong anti-interference, anti-fatigue and so on.

■用途：主要用于各类自动化流水作业的力控制、机械力控制、开关压力检测、冲压力检测设备、等测力场所。■ Uses: mainly used for various types of automated flow of water force control, mechanical force control, switch pressure detection, punching force testing equipment, and other force places.