

# REALTEK

**RTL8211C-GR**  
**RTL8211CL-GR**

## **INTEGRATED 10/100/1000 GIGABIT ETHERNET TRANSCEIVER**

### **DATASHEET**

**(CONFIDENTIAL: Development Partners Only)**

**Rev. 1.3**  
**02 September 2008**  
**Track ID: JATR-1076-21**



**Realtek Semiconductor Corp.**

No. 2, Innovation Road II, Hsinchu Science Park, Hsinchu 300, Taiwan

Tel.: +886-3-578-0211 Fax: +886-3-577-6047

[www.realtek.com](http://www.realtek.com)

## COPYRIGHT

©2008 Realtek Semiconductor Corp. All rights reserved. No part of this document may be reproduced, transmitted, transcribed, stored in a retrieval system, or translated into any language in any form or by any means without the written permission of Realtek Semiconductor Corp.

## DISCLAIMER

Realtek provides this document “as is”, without warranty of any kind, neither expressed nor implied, including, but not limited to, the particular purpose. Realtek may make improvements and/or changes in this document or in the product described in this document at any time. This document could include technical inaccuracies or typographical errors.

## TRADEMARKS

Realtek is a trademark of Realtek Semiconductor Corporation. Other names mentioned in this document are trademarks/registered trademarks of their respective owners.

## USING THIS DOCUMENT

This document is intended for the software engineer’s reference and provides detailed programming information.

Though every effort has been made to ensure that this document is current and accurate, more information may have become available subsequent to the production of this guide. In that event, please contact your Realtek representative for additional information that may help in the development process.

## REVISION HISTORY

Revision	Release Date	Summary
1.0	2007/09/05	First release.
1.1	2008/01/11	Revised RTL8211CL pin 38 (Table 3, page 6). Revised RTL8211CL pin 34 (Table 6, page 7). Added section 6.8 LED Configuration, page 19. Removed MII timing diagram. Changed AVDD12/DVDD12 1.2V supply voltage to 1.0V. Revised Table 20, page 22. Revised Table 21, page 23. Added 100Base-T4 support (Table 25, page 26). Added Table 39, page 33.
1.2	2008/05/26	Removed MII function. Revised section 4 Pin Assignments, page 3. Revised section 5 Pin Descriptions, page 5. Revised section 8.1 PCB Layout, page 34. Revised section 8.4 Typical Switching Regulator PCB Layout, page 40. Added section 8.5 Efficiency Measurement, page 41. Revised Figure 3, page 11. Revised Table 38 LEDCR (LED Control Register, Address 0x18), page 33.
1.3	2008/09/02	Revised Table 33, page 31. Added 2.5V RGMII data to section 10 Characteristics, page 43. Revised Table 42, page 43.

## Table of Contents

<b>1.</b>	<b>GENERAL DESCRIPTION</b> .....	<b>1</b>
<b>2.</b>	<b>FEATURES</b> .....	<b>2</b>
<b>3.</b>	<b>SYSTEM APPLICATIONS</b> .....	<b>2</b>
<b>4.</b>	<b>PIN ASSIGNMENTS</b> .....	<b>3</b>
4.1.	RTL8211C PIN ASSIGNMENTS (64-PIN QFN) .....	3
4.2.	PACKAGE IDENTIFICATION .....	3
4.3.	RTL8211CL PIN ASSIGNMENTS (48-PIN LQFP) .....	4
4.4.	PACKAGE IDENTIFICATION .....	4
<b>5.</b>	<b>PIN DESCRIPTIONS</b> .....	<b>5</b>
5.1.	TRANSCEIVER INTERFACE.....	5
5.2.	CLOCK .....	5
5.3.	RGMII .....	6
5.4.	MANAGEMENT INTERFACE.....	6
5.5.	RESET .....	6
5.6.	MODE SELECTION .....	7
5.7.	LED INDICATION .....	7
5.8.	REGULATOR AND REFERENCE.....	7
5.9.	POWER AND GROUND .....	8
5.10.	NOT CONNECTED .....	8
<b>6.</b>	<b>FUNCTION DESCRIPTION</b> .....	<b>9</b>
6.1.	TRANSMITTER.....	9
6.1.1.	RGMII (1000Mbps) Mode .....	9
6.1.2.	RGMII (100Mbps) Mode .....	9
6.1.3.	RGMII (10Mbps) Mode .....	9
6.2.	RECEIVER.....	9
6.2.1.	RGMII (1000Mbps) Mode .....	9
6.2.2.	RGMII (100Mbps) Mode .....	10
6.2.3.	RGMII (10Mbps) Mode .....	10
6.3.	HARDWARE CONFIGURATION .....	10
6.4.	LED AND PHY ADDRESS CONFIGURATION .....	11
6.5.	MAC/PHY INTERFACE .....	12
6.5.1.	RGMII.....	12
6.5.2.	Management Interface.....	12
6.6.	AUTO-NEGOTIATION.....	13
6.6.1.	Auto-Negotiation Priority Resolution.....	16
6.6.2.	Auto-Negotiation Master/Slave Resolution .....	16
6.6.3.	Auto-Negotiation PAUSE/ASYMMETRIC PAUSE Resolution .....	17
6.7.	CROSSOVER DETECTION AND AUTO-CORRECTION .....	18
6.8.	LED CONFIGURATION.....	19
6.9.	POLARITY CORRECTION .....	21
6.10.	POWER .....	21
<b>7.</b>	<b>REGISTER DESCRIPTIONS</b> .....	<b>22</b>
7.1.	REGISTER MAPPING AND DEFINITIONS.....	22
7.2.	REGISTER TABLE .....	23
7.2.1.	BMCR (Basic Mode Control Register, Address 0x00) .....	23

7.2.2.	BMSR (Basic Mode Status Register, Address 0x01).....	24
7.2.3.	PHYID1 (PHY Identifier Register 1, Address 0x02) .....	25
7.2.4.	PHYID2 (PHY Identifier Register 2, Address 0x03) .....	26
7.2.5.	ANAR (Auto-Negotiation Advertising Register, Address 0x04) .....	26
7.2.6.	ANLPAR (Auto-Negotiation Link Partner Ability Register, Address 0x05) .....	27
7.2.7.	ANER (Auto-Negotiation Expansion Register, Address 0x06) .....	27
7.2.8.	ANNPTR (Auto-Negotiation Next Page Transmit Register, Address 0x07) .....	28
7.2.9.	ANNPRR (Auto-Negotiation Next Page Receive Register, Address 0x08) .....	28
7.3.	GBCR (1000BASE-T CONTROL REGISTER, ADDRESS 0x09) .....	29
7.3.1.	GBSR (1000Base-T Status Register, Address 0x0A) .....	30
7.3.2.	GBESR (1000Base-T Extended Status Register, Address 0x0F) .....	30
7.3.3.	PHYCR (PHY Specific Control Register, Address 0x10) .....	31
7.3.4.	PHYSR (PHY Specific Status Register, Address 0x11).....	31
7.3.5.	INER (Interrupt Enable Register, Address 0x12).....	32
7.3.6.	INSR (Interrupt Status Register, Address 0x13).....	32
7.3.7.	RXERC (Receive Error Counter, Address 0x15).....	33
7.3.8.	LEDCR (LED Control Register, Address 0x18).....	33
7.3.9.	PAGSEL (Page Select Register, Address 0x1F).....	33
<b>8.</b>	<b>SWITCHING REGULATOR.....</b>	<b>34</b>
8.1.	PCB LAYOUT .....	34
8.2.	INDUCTOR AND CAPACITOR PARTS LIST .....	35
8.3.	MEASUREMENT CRITERIA .....	36
8.4.	TYPICAL SWITCHING REGULATOR PCB LAYOUT .....	40
8.5.	EFFICIENCY MEASUREMENT .....	41
8.6.	POWER SEQUENCE .....	42
<b>9.</b>	<b>APPLICATION DIAGRAM .....</b>	<b>42</b>
<b>10.</b>	<b>CHARACTERISTICS.....</b>	<b>43</b>
10.1.	ABSOLUTE MAXIMUM RATINGS.....	43
10.2.	RECOMMENDED OPERATING CONDITIONS .....	43
10.3.	CRYSTAL REQUIREMENTS .....	43
10.4.	DC CHARACTERISTICS .....	44
10.5.	AC CHARACTERISTICS .....	44
10.5.1.	MDC/MDIO Timing .....	44
10.5.2.	RGMII Timing Modes.....	45
<b>11.</b>	<b>MECHANICAL DIMENSIONS.....</b>	<b>47</b>
11.1.	RTL8211C 64-PIN QFN MECHANICAL DIMENSIONS.....	47
11.2.	RTL8211CL 48-PIN LQFP MECHANICAL DIMENSIONS .....	48
11.3.	RTL8211CL 48-PIN LQFP MECHANICAL DIMENSIONS NOTES.....	49
<b>12.</b>	<b>ORDERING INFORMATION.....</b>	<b>50</b>

## List of Tables

TABLE 1. TRANSCEIVER INTERFACE .....	5
TABLE 2. CLOCK .....	5
TABLE 3. RGMII .....	6
TABLE 4. MANAGEMENT INTERFACE .....	6
TABLE 5. RESET .....	6
TABLE 6. MODE SELECTION.....	7
TABLE 7. LED INDICATION.....	7
TABLE 8. REGULATOR AND REFERENCE .....	7
TABLE 9. POWER AND GROUND .....	8
TABLE 10. NOT CONNECTED.....	8
TABLE 11. CONFIG PINS VS. CONFIGURATION REGISTER .....	10
TABLE 12. CONFIGURATION REGISTER DEFINITION .....	10
TABLE 13. TYPICAL MDIO FRAME FORMAT.....	12
TABLE 14. 1000BASE-T BASE AND NEXT PAGES BIT ASSIGNMENTS .....	14
TABLE 15. LED CONFIGURATION (RTL8211C).....	19
TABLE 16. LED DEFAULT DEFINITIONS (RTL8211CL).....	20
TABLE 17. LED INDICATION .....	20
TABLE 18. LED REGISTER TABLE (RTL8211CL).....	20
TABLE 19. LED CONFIGURATION TABLE (RTL8211CL).....	20
TABLE 20. REGISTER MAPPING AND DEFINITIONS .....	22
TABLE 21. BMCR (BASIC MODE CONTROL REGISTER, ADDRESS 0x00) .....	23
TABLE 22. BMSR (BASIC MODE STATUS REGISTER, ADDRESS 0x01) .....	24
TABLE 23. PHYID1 (PHY IDENTIFIER REGISTER 1, ADDRESS 0x02) .....	25
TABLE 24. PHYID2 (PHY IDENTIFIER REGISTER 2, ADDRESS 0x03) .....	26
TABLE 25. ANAR (AUTO-NEGOTIATION ADVERTISING REGISTER, ADDRESS 0x04).....	26
TABLE 26. ANLPAR (AUTO-NEGOTIATION LINK PARTNER ABILITY REGISTER, ADDRESS 0x05) .....	27
TABLE 27. ANER (AUTO-NEGOTIATION EXPANSION REGISTER, ADDRESS 0x06).....	27
TABLE 28. ANNPTR (AUTO-NEGOTIATION NEXT PAGE TRANSMIT REGISTER, ADDRESS 0x07).....	28
TABLE 29. ANNPRR (AUTO-NEGOTIATION NEXT PAGE RECEIVE REGISTER, ADDRESS 0x08) .....	28
TABLE 30. GBCR (1000BASE-T CONTROL REGISTER, ADDRESS 0x09) .....	29
TABLE 31. GBSR (1000BASE-T STATUS REGISTER, ADDRESS 0x0A).....	30
TABLE 32. GBESR (1000BASE-T EXTENDED STATUS REGISTER, ADDRESS 0x0F).....	30
TABLE 33. PHYCR (PHY SPECIFIC CONTROL REGISTER, ADDRESS 0x10) .....	31
TABLE 34. PHYSR (PHY SPECIFIC STATUS REGISTER, ADDRESS 0x11).....	31
TABLE 35. INER (INTERRUPT ENABLE REGISTER, ADDRESS 0x12).....	32
TABLE 36. INSR (INTERRUPT STATUS REGISTER, ADDRESS 0x13).....	32
TABLE 37. RXERC (RECEIVE ERROR COUNTER, ADDRESS 0x15).....	33
TABLE 38. LEDCR (LED CONTROL REGISTER, ADDRESS 0x18).....	33
TABLE 39. PAGSEL (PAGE SELECT REGISTER, ADDRESS 0x1F).....	33
TABLE 40. INDUCTOR AND CAPACITOR PARTS LIST .....	35
TABLE 41. POWER SEQUENCE PARAMETER .....	42
TABLE 42. ABSOLUTE MAXIMUM RATINGS .....	43
TABLE 43. RECOMMENDED OPERATING CONDITIONS .....	43
TABLE 44. CRYSTAL REQUIREMENTS.....	43
TABLE 45. DC CHARACTERISTICS.....	44
TABLE 46. MDC/MDIO MANAGEMENT TIMING PARAMETERS .....	45
TABLE 47. RGMII TIMING PARAMETERS .....	46
TABLE 48. ORDERING INFORMATION .....	50

## List of Figures

---

FIGURE 1. RTL8211C PIN ASSIGNMENTS (64-PIN QFN).....	3
FIGURE 2. RTL8211CL PIN ASSIGNMENTS (48-PIN LQFP) .....	4
FIGURE 3. LED AND PHY ADDRESS CONFIGURATION .....	11
FIGURE 4. TYPICAL MDC/MDIO READ TIMING.....	12
FIGURE 5. TYPICAL MDC/MDIO WRITE TIMING.....	13
FIGURE 6. SWITCHING REGULATOR APPLICATION.....	34
FIGURE 7. INPUT VOLTAGE OVERSHOOT <4V (GOOD).....	36
FIGURE 8. INPUT VOLTAGE OVERSHOOT >4V (BAD).....	36
FIGURE 9. CERAMIC 22 $\mu$ F 1210(X5R) (GOOD).....	37
FIGURE 10. CERAMIC 22 $\mu$ F 0805(Y5V) (BAD).....	37
FIGURE 11. ELECTROLYTIC 100 $\mu$ F (RIPPLE TOO HIGH).....	38
FIGURE 12. 4R7GTS32 (GOOD).....	39
FIGURE 13. 1 $\mu$ H BEAD (BAD).....	39
FIGURE 14. 64-PIN TYPICAL SWITCHING REGULATOR PCB LAYOUT (TOP LAYER).....	40
FIGURE 15. 64-PIN TYPICAL SWITCHING REGULATOR PCB LAYOUT (BOTTOM LAYER) .....	40
FIGURE 16. SWITCHING REGULATOR EFFICIENCY MEASUREMENT CHECKPOINT .....	41
FIGURE 17. POWER SEQUENCE.....	42
FIGURE 18. APPLICATION DIAGRAM .....	42
FIGURE 19. MDC/MDIO MANAGEMENT TIMING PARAMETERS .....	44
FIGURE 20. RGMII TIMING MODES .....	46

---

Confidential

## 1. General Description

The Realtek RTL8211C(L) is a highly integrated Ethernet transceiver that complies with 10Base-T, 100Base-TX, and 1000Base-T IEEE 802.3 standards. It provides all the necessary physical layer functions to transmit and receive Ethernet packets over CAT 5 UTP cable or CAT 3 UTP (10Mbps only) cable.

The RTL8211C(L) uses state-of-the-art DSP technology and an Analog Front End (AFE) to enable high-speed data transmission and reception over UTP cable. Functions such as Crossover Detection & Auto-Correction, polarity correction, adaptive equalization, cross-talk cancellation, echo cancellation, timing recovery, and error correction are implemented in the RTL8211C(L) to provide robust transmission and reception capabilities at 10Mbps, 100Mbps, or 1000Mbps.

Data transfer between MAC and PHY is via the Reduced Gigabit Media Independent Interface (RGMI) for 1000Base-T, 10Base-T, and 100Base-TX.

Confidential



## 2. Features

- 1000Base-T IEEE 802.3ab Compliant
- 100Base-TX IEEE 802.3u Compliant
- 10Base-T IEEE 802.3 Compliant
- IEEE 802.3 Compliant RGMII
- Supports Auto-Negotiation
- Supports Parallel Detection
- Crossover Detection & Auto-Correction
- Automatic polarity correction
- Transmit wave-shaping
- DSP processing
- Internal hybrids for 1000Base-T
- Baseline Wander Correction
- Supports half/full duplex operation
- Transmission rate up to 1Gbps over industry standard CAT.5 UTP cable with BER less than  $10^{-10}$  in 1000Base-T
- The design transceiver capability target is up to 120m for CAT.5 cable in 1000Base-T
- Supports 3.3V or 2.5V signaling for RGMII
- Supports 25MHz external crystal or OSC
- Provides 125MHz clock source for MAC
- Provides 6 network status LEDs (RTL8211C)
- Provides 3 network status LEDs (RTL8211CL)
- Supports Link Down power saving
- Built-in Switching regulator
- 64-pin QFN (RTL8211C)
- 48-pin LQFP (RTL8211CL)
- 0.11 $\mu$ m process with very low power consumption

## 3. System Applications

Network Interface Adapter, MAU (Media Access Unit), CNR (Communication and Network Riser), ACR (Advanced Communication Riser), Ethernet hub, and Ethernet switch.

In addition, it can be used in any embedded system with an Ethernet MAC that needs a UTP physical connection.



## 4. Pin Assignments

### 4.1. RTL8211C Pin Assignments (64-Pin QFN)

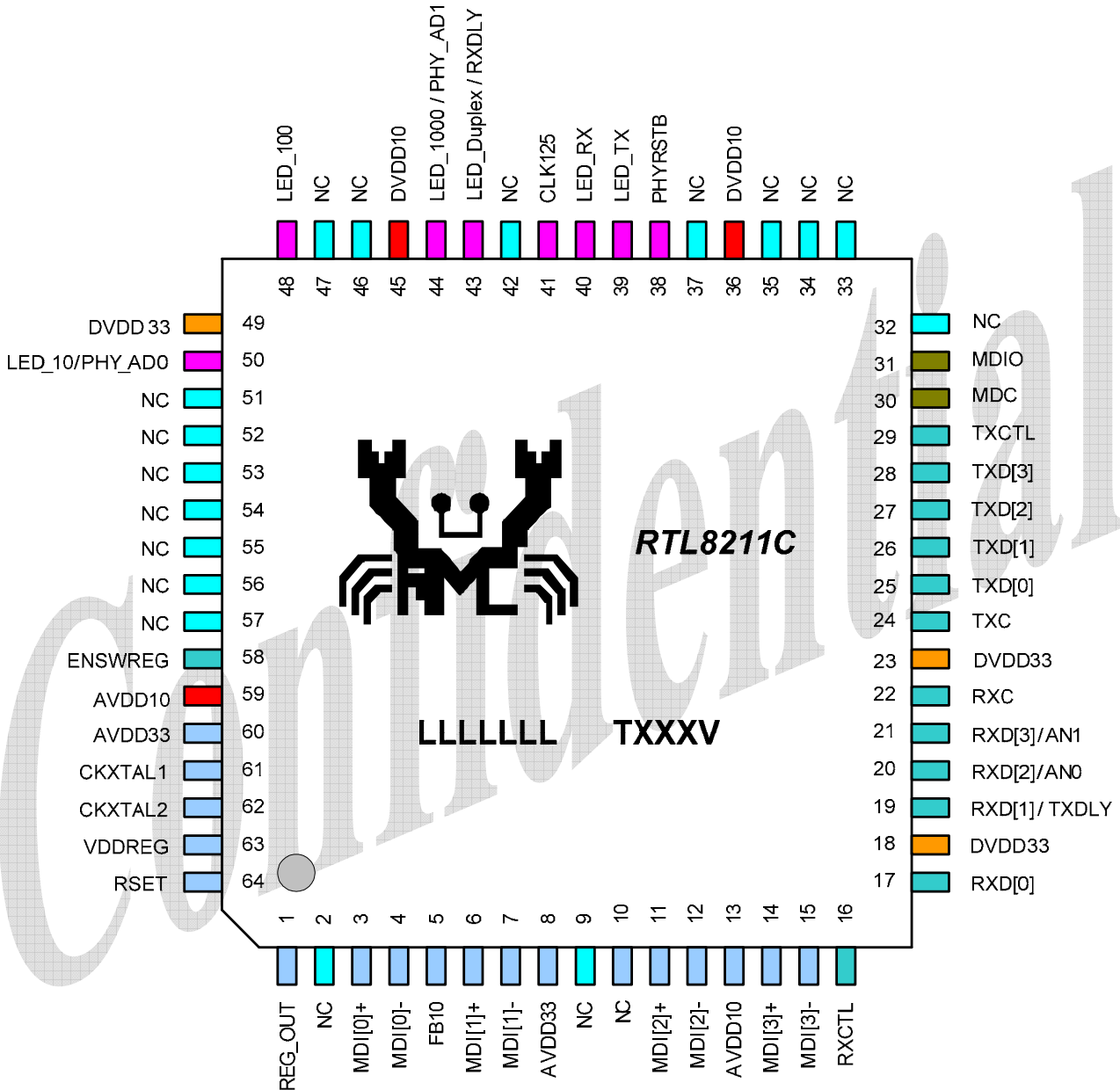


Figure 1. RTL8211C Pin Assignments (64-Pin QFN)

### 4.2. Package Identification

Green package is indicated by a 'G' in the location marked 'T' in Figure 1.

### 4.3. RTL8211CL Pin Assignments (48-Pin LQFP)

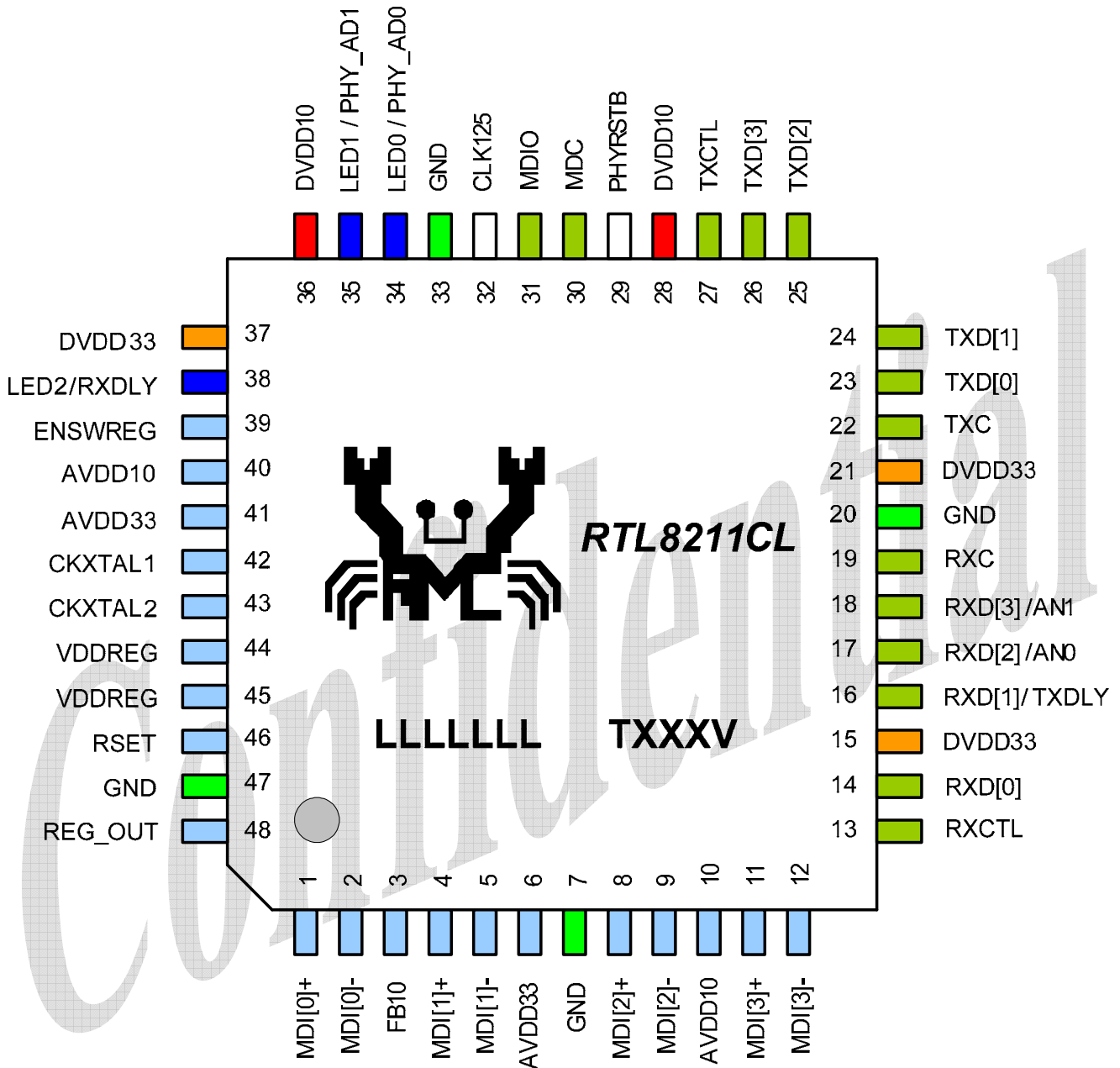


Figure 2. RTL8211CL Pin Assignments (48-Pin LQFP)

### 4.4. Package Identification

'Green' package is indicated by a 'G' in the location marked 'T' in Figure 2.

## 5. Pin Descriptions

Note that some pins have multiple functions. Refer to the Pin Assignment figures on page 3 (RTL8211C) and on page 4 (RTL8211CL) for a graphical representation.

### 5.1. Transceiver Interface

**Table 1. Transceiver Interface**

Pin No. (64-pin)	Pin No. (48-pin)	Pin Name	Type	Description
3	1	MDI[0]+	IO	In MDI mode, this is the first pair in 1000Base-T, i.e., the BI_DA+/- pair, and is the transmit pair in 10Base-T and 100Base-TX.
4	2	MDI[0]-	IO	In MDI crossover mode, this pair acts as the BI_DB+/- pair, and is the receive pair in 10Base-T and 100Base-TX.
6	4	MDI[1]+	IO	In MDI mode, this is the second pair in 1000Base-T, i.e., the BI_DB+/- pair, and is the receive pair in 10Base-T and 100Base-TX.
7	5	MDI[1]-	IO	In MDI crossover mode, this pair acts as the BI_DA+/- pair, and is the transmit pair in 10Base-T and 100Base-TX.
11	8	MDI[2]+	IO	In MDI mode, this is the third pair in 1000Base-T, i.e., the BI_DC+/- pair.
12	9	MDI[2]-	IO	In MDI crossover mode, this pair acts as the BI_DD+/- pair.
14	11	MDI[3]+	IO	In MDI mode, this is the fourth pair in 1000Base-T, i.e., the BI_DD+/- pair.
15	12	MDI[3]-	IO	In MDI crossover mode, this pair acts as the BI_DC+/- pair.

### 5.2. Clock

**Table 2. Clock**

Pin No. (64-pin)	Pin No. (48-pin)	Pin Name	Type	Description
61	42	CKXTAL1	I	Input/Output of 25MHz Clock Reference.
62	43	CKXTAL2	O	
41	32	CLK125	O	125MHz Reference Clock Generated from Internal PLL.

### 5.3. RGMII

**Table 3. RGMII**

Pin No. (64-pin)	Pin No. (48-pin)	Pin Name	Type	Description
24	22	TXC	I	The transmit reference clock will be 125MHz, 25MHz, or 2.5MHz $\pm$ 50ppm depending on speed.
25	23	TXD[0]	I	Transmit Data. Data is transmitted from MAC to PHY via TXD[3:0].
26	24	TXD[1]	I	
27	25	TXD[2]	I	
28	26	TXD[3]	I	
29	27	TXCTL	I	Receive Control Signal from the MAC.
22	19	RXC	O	The continuous receive reference clock will be 125MHz, 25MHz, or 2.5MHz $\pm$ 50ppm. and is derived from the received data stream
17	14	RXD[0]	O	Receive Data. Data is transmitted from PHY to MAC via RXD[3:0].
19	16	RXD[1]	O	
20	17	RXD[2]	O	
21	18	RXD[3]	O	
16	13	RXCTL	O	Transmit Control Signal to the MAC.
19	16	TXDLY	I	RGMII Transmit Clock Timing Control. 1: Add 2 ns delay to TXC for TXD latching
43	38	RXDLY	I	RGMII Receiver Clock Timing Control. 1: Add 2ns delay to RXC for RXD latching

### 5.4. Management Interface

**Table 4. Management Interface**

Pin No. (64-pin)	Pin No. (48-pin)	Pin Name	Type	Description
30	30	MDC	I	Management Data Clock.
31	31	MDIO	IO	Input/Output of Management Data.

### 5.5. Reset

**Table 5. Reset**

Pin No. (64-pin)	Pin No. (48-pin)	Pin Name	Type	Description
38	29	PHYRSTB	I	Hardware Reset. Active low.

## 5.6. Mode Selection

**Table 6. Mode Selection**

Pin No. (64-pin)	Pin No. (48-pin)	Pin Name	Type	Description
50	34	PHY_AD0	I	PHY Configuration.
44	35	PHY_AD1	I	
20	17	AN0	I	
21	18	AN1	I	

Note: See section 6.3 Hardware Configuration, page 10 for details.

## 5.7. LED Indication

**Table 7. LED Indication**

Pin No. (64-pin)	Pin No. (48-pin)	Pin Name	Type	Description
43	34	LED_Duplex/LED0	O	LED Duplex (RTL8211C), LED0 (RTL8211CL)
48	-	LED_100	O	LED 100
44	35	LED_1000/LED1	O	LED1000 (RTL8211C), LED1 (RTL8211CL)
50	38	LED_10/LED2	O	LED10 (RTL8211C), LED2 (RTL8211CL)
39	-	LED_TX	O	LED TX
40	-	LED_RX	O	LED RX

Note: See section 6.8 LED Configuration, page 19 for details.

## 5.8. Regulator and Reference

**Table 8. Regulator and Reference**

Pin No. (64-pin)	Pin No. (48-pin)	Pin Name	Type	Description
64	46	RSET	I	Reference. External Resistor Reference.
63	44, 45	VDDREG	Power	3.3V Power Supply for Switching Regulator.
1	48	REG_OUT	O	Switching Regulator 1.0V Output. Connect to a 4.7 $\mu$ H inductor.
5	3	FB10	I	Feedback Pin for Switching Regulator.
58	39	ENSWREG	I	3.3V: Enable switching regulator. 0V: Disable switching regulator.

## 5.9. Power and Ground

**Table 9. Power and Ground**

Pin No. (64-pin)	Pin No. (48-pin)	Pin Name	Type	Description
18, 23, 49	15, 21, 37	DVDD33	Power	Digital Power. 3.3V.
18, 23	15, 21	DVDD33	Power	RGMI I Power Pins, For 3.3 or 2.5V RGMI I/O.
36, 45	28, 36	DVDD10	Power	Digital Power. 1.05V.
8, 60	6, 41	AVDD33	Power	Analog Power. 3.3V.
13, 59	10, 40	AVDD10	Power	Analog Power. 1.05V.
E-Pad	7, 20, 33, 47	GND	Ground	Ground. Exposed Pad (E-Pad) (64-pin package only) is Analog and Digital Ground (see section 11.1 RTL8211C 64-Pin QFN Mechanical Dimensions, page 47).

## 5.10. Not Connected

**Table 10. Not Connected**

Pin No. (64-pin)	Pin No. (48-pin)	Pin Name	Type	Description
2, 9, 10, 32, 33, 34, 35, 37, 42, 46, 47, 51, 52, 53, 54, 55, 56, 57	NULL	NC	NC	Not Connected.

## 6. Function Description

### 6.1. *Transmitter*

Based on state-of-the-art DSP technology and mixed-mode signal processing technology, the RTL8211C(L) is capable of operating at 10/100/1000Mbps link speed over standard CAT.5 UTP cable and CAT.3 UTP cable (10Mbps).

#### 6.1.1. RGMII (1000Mbps) Mode

The RTL8211C(L)'s PCS layer receives data bytes from the MAC through the RGMII interface and performs the generation of continuous code-groups through 4D-PAM5 coding technology. Then those code groups are passed through a waveform-shaping filter to minimize EMI effect, and are transmitted onto the 4-pair CAT5 cable at 125MBaud/s through a D/A converter.

#### 6.1.2. RGMII (100Mbps) Mode

The transmitted 4-bit nibbles (TXD[3:0]) from the MAC, clocked at 25MHz (TXC), are converted into 5B symbol code through 4B/5B coding technology, then through scrambling and serializing, are converted to 125MHz NRZ and NRZI signals. After that, the NRZI signal are passed to the MLT3 encoder, then to the D/A converter and transmitted onto the media.

#### 6.1.3. RGMII (10Mbps) Mode

The transmit 4-bit nibbles (TXD[3:0]) from the MAC, clocked at 2.5MHz (TXC), are serialized into 10Mbps serial data. Then the 10Mbps serial data is converted into a Manchester-encoded data stream and is transmitted onto the media by the D/A converter.

### 6.2. *Receiver*

#### 6.2.1. RGMII (1000Mbps) Mode

Input signals from the media first pass through the on-chip sophisticated hybrid circuit to subtract the transmitted signal from the input signal for effective reduction of near-end echo. Afterwards, the received signal is processed with state-of-the-art technology, such as adaptive equalization, BLW (Baseline Wander) correction, cross-talk cancellation, echo cancellation, timing recovery, error correction, and 4D-PAM5 decoding. Then, the 8-bit-wide data is recovered and is sent to the RGMII interface at a clock speed of 125MHz. The Rx MAC retrieves the packet data from the receive RGMII interface and sends it to the Rx Buffer Manager.



### 6.2.2. RGMII (100Mbps) Mode

The MLT3 signal is processed with an ADC, equalizer, BLW (Baseline Wander) correction, timing recovery, MLT3 and NRZI decoder, descrambler, 4B/5B decoder, and is then presented to the RGMII interface in 4-bit-wide nibbles at a clock speed of 25MHz.

### 6.2.3. RGMII (10Mbps) Mode

The received differential signal is converted into a Manchester-encoded stream first. Next, the stream is processed with a Manchester decoder, and is de-serialized into 4-bit-wide nibbles. The 4-bit nibbles are presented to the RGMII interface at a clock speed of 2.5MHz.

## 6.3. Hardware Configuration

The operation speed, interface mode, and PHY address can be set by the CONFIG pins. The respective value mapping of CONFIG with the configurable vector is listed in Table 11. To set the CONFIG pins, an external pull-high or pull-low via resistor is required.

**Table 11. CONFIG Pins vs. Configuration Register**

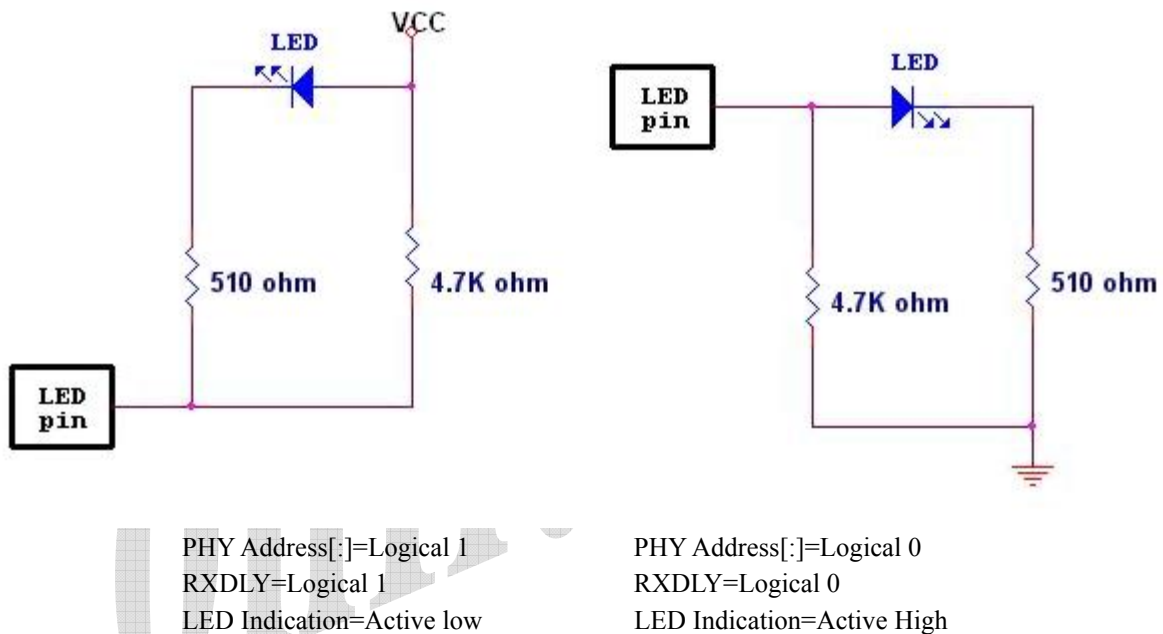
RTL8211C Pin	RTL8211CL Pin	Pin Name
LED Link 10	LED0	PHYAD[0]
LED Link 1000	LED1	PHYAD[1]
RXD2	RXD2	AN[0]
RXD3	RXD3	AN[1]

**Table 12. Configuration Register Definition**

Configuration	Description
PHYAD[1:0]	PHY Address. PHYAD sets the PHY address for the device. <i>Note: PHYAD[:]=0 can support all PHYaddresses. It can automatically remember the first MAC address.</i>
AN[1:0]	Auto-Negotiation (NWay) Configuration. AN[1:0] controls the setting of Auto-Negotiation enable/disable, speed, and duplex setting. 00: 10Base-T Full Duplex 01: 100base-Tx Half Duplex 10: 100base-Tx Full Duplex 11: NWay. Advertise all capabilities

## 6.4. LED and PHY Address Configuration

In order to reduce the pin count on the RTL8211C(L), the LED pins are duplex with the PHY address pins. Because the PHYAD strap options share the LED output pins, the external combinations required for strapping and LED usage must be considered in order to avoid contention. Specifically, when the LED outputs are used to drive LEDs directly, the active state of each output driver is dependent on the logic level sampled by the corresponding PHYAD input upon power-up/reset. For example, as Figure 3 (left-side) shows, if a given PHYAD input is resistively pulled high then the corresponding output will be configured as an active low driver. On the right side, we can see that if a given PHYAD input is resistively pulled low then the corresponding output will be configured as an active high driver. The PHY address configuration pins should not be connected to GND or VCC directly, but must be pulled high or low through a resistor (ex 4.7K $\Omega$ ). If no LED indications are needed, the components of the LED path (LED+510 $\Omega$ ) can be removed.



**Figure 3. LED and PHY Address Configuration**

## 6.5. MAC/PHY Interface

The RTL8211C(L) supports industry standard and is suitable for most off-the-shelf MACs with a RGMII interface.

### 6.5.1. RGMII

In 1000Base-T mode (RGMII interface is selected), TXC and RXC sources are 125MHz. TXC will always be generated by the MAC and RXC will always be generated by the PHY. TXD[3:0] and RXD[3:0] signals are used for data transitions on rising edge and on falling edge of clock.

### 6.5.2. Management Interface

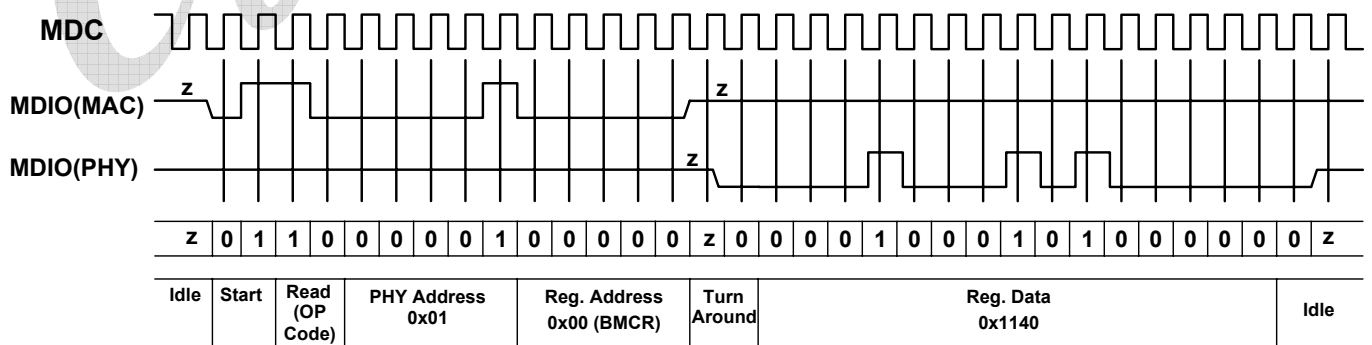
The management interface provides access to the internal registers through the MDC and MDIO pins as described in IEEE 802.3u section 22. The MDC signal, provided by the MAC, is the management data clock reference to the MDIO signal. The MDIO is the management data input/output and is a bi-directional signal that runs synchronously to MDC. The MDIO pin needs a 10k Ohm pull-up resistor to maintain the MDIO high during idle and turnaround.

Preamble suppression is the default setting of the RTL8211C(L) after power-on. However, there still must be at least one idle bit between operations.

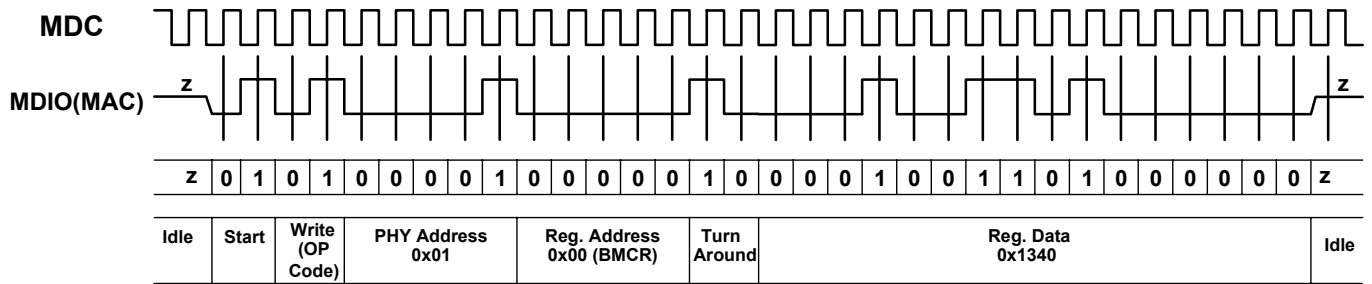
Up to 32 RTL8211C(L)s can share the same MDIO line. In switch/router applications, each port should be assigned a unique address during the hardware reset sequence, and it can only be addressed via that unique PHY address. For detailed information on the RTL8211C(L) management registers, see section 7 Register Descriptions, page 22.

**Table 13. Typical MDIO Frame Format**

<b>Management Serial Protocol</b>	<idle><start><op code><PHY addr.><reg. addr.><turnaround><data><idle>
<b>Read</b>	<idle><01><10><AAAAA><RRRRR><Z0><xxxx xxxx xxxx xxxx><idle>
<b>Write</b>	<idle><01><01><AAAAA><RRRRR><10><xxxx xxxx xxxx xxxx><idle>



**Figure 4. Typical MDC/MDIO Read Timing**



**Figure 5. Typical MDC/MDIO Write Timing**

## 6.6. Auto-Negotiation

Auto-Negotiation is a mechanism to determine the fastest connection between two link partners. For copper media applications, it was introduced in IEEE 802.3u for Ethernet and Fast Ethernet, and then in IEEE 802.3ab to address extended functions for Gigabit Ethernet. It performs the following:

- Auto-Negotiation Priority Resolution
- Auto-Negotiation Master/Slave Resolution
- Auto-Negotiation PAUSE/ASYMMETRIC PAUSE Resolution
- Crossover Detection & Auto-Correction Resolution

Upon de-assertion of a hardware reset, the RTL8211C(L) can be configured to have auto-negotiation enabled, or be forced to operate in 10Base-T, 100Base-TX, or 1000Base-T mode via the CONFIG pins (see section 6.3 Hardware Configuration, page 10). If the RTL8211C(L) is configured to operate only in 1000Base-T mode, then auto-negotiation is still enabled with only 1000Base-T mode advertised.

The auto-negotiation process is initiated automatically upon any of the following:

- Power-up
- Hardware reset
- Software reset (register 0.15)
- Restart auto-negotiation (register 0.9)
- Transition from power down to power up (register 0.11)
- Entering the link fail state

**Table 14. 1000Base-T Base and Next Pages Bit Assignments**

Bit	Name	Bit Description	Register Location
<b>Base Page</b>			
D15	NP	Next Page. 1: Indicates that Next Pages follow 0: Indicates that no Next Pages follow	-
D14	Ack	Acknowledge. 1: Indicates that a device has successfully received its link partner's Link Code Word (LCW)	-
D13	RF	Remote Fault. 1: Indicates to its link partner that a device has encountered a fault condition	-
D[12:5]	A[7:0]	Technology Ability Field. Indicates to its link partner the supported technologies specific to the selector field value.	Register 4.[12:5] Table 25, page 26.
D[4:0]	S[4:0]	Selector Field. Always 00001. Indicates to its link partner that it is an IEEE Std 802.3 device.	Register 4.[4:0] Table 25, page 26.
<b>PAGE 0 (Message Next Page)</b>			
M15	NP	Next Page. 1: Indicates that Next Pages follow 0: Indicates that no Next Pages follow	-
M14	Ack	Acknowledge. 1: Indicates that a device has successfully received its link partner's Link Code Word (LCW)	-
M13	MP	Message Page. 1: Indicates to its link partner that this is a message page, not an unformatted page.	-
M12	Ack2	Acknowledge 2. 1: Indicates to its link partner that a device has the ability to comply with the message.	-
M11	T	Toggle. Used by the NWay arbitration function to ensure synchronization with its link partner during Next Page exchange.	-
M[10:0]	-	1000Base-T Message Code. Always 8.	-
<b>PAGE 1 (Unformatted Next Page)</b>			
U15	NP	Next Page. 1: Indicates that Next Pages follow 0: Indicates that no Next Pages follow	-
U14	Ack	Acknowledge. 1: Indicates that a device has successfully received its link partner's Link Code Word (LCW)	-
U13	MP	Message Page. 1: Indicates to its link partner that this is a message page, not an unformatted page.	-

Bit	Name	Bit Description	Register Location
U12	Ack2	Acknowledge 2. 1: Indicates to its link partner that a device has the ability to comply with the message.	-
U11	T	Toggle. Used by the NWay arbitration function to ensure synchronization with its link partner during Next Page exchange.	-
U[10:5]	-	Reserved. Transmit as 0	-
U4	-	1000Base-T Half Duplex. 1: Half duplex 0: No half duplex	RGMI register 9.8 (GBCR) Table 30, page 29.
U3	-	1000Base-T Full Duplex. 1: Full duplex 0: No full duplex	RGMI register 9.8 (GBCR) Table 30, page 29.
U2	-	1000Base-T Port Type Bit. 1: Multi-port device 0: Single-port device	RGMI register 9.8 (GBCR) Table 30, page 29.
U1	-	1000Base-T Master-Slave Manual Configuration Value. 1: Master 0: Slave This bit is ignored if bit 9.12=0	RGMI register 9.8 (GBCR) Table 30, page 29.
U0	-	1000Base-T Master-Slave Manual Configuration Enable. 1: Manual Configuration Enable This bit is intended to be used for manual selection in Master-Slave mode, and is to be used in conjunction with bit 9.11	RGMI register 9.8 (GBCR) Table 30, page 29.
<b>PAGE 2 (Unformatted Next Page)</b>			
U15	NP	Next Page. 1: Indicates that Next Pages follow 0: Indicates that no Next Pages follow	-
U14	Ack	Acknowledge. 1: Indicates that a device has successfully received its link partner's Link Code Word (LCW)	-
U13	MP	Message Page. 1: Indicates to its link partner that this is a message page, not an unformatted page.	-
U12	Ack2	Acknowledge 2. 1: Indicates to its link partner that a device has the ability to comply with the message.	-
U11	T	Toggle. Used by the NWay arbitration function to ensure synchronization with its link partner during Next Page exchange.	-
U[10:0]	-	1000Base-T Master-Slave Seed Bit[10:0]	Master-Slave Seed Value SB[10:0]

### 6.6.1. Auto-Negotiation Priority Resolution

Upon the start of auto-negotiation, to advertise its capabilities each station transmits a 16-bit packet called a Link Code Word (LCW), within a burst of 17 to 33 Fast Link Pulses (FLP). A device capable of auto-negotiation transmits and receives the FLPs. The receiver must identify three identical LCWs before the information is authenticated and used in the arbitration process. The devices decode the base LCW and select capabilities with the highest common denominator supported by both devices.

To advertise 1000Base-T capability, both link partners, sharing the same link medium, should engage in Next Page (1000Base-T Message Page, Unformatted Page 1, and Unformatted Page 2) exchange.

Auto-negotiation ensures that the highest priority protocol will be selected as the link speed based on the following priorities advertised through the Link Code Word (LCW) exchange. Refer to IEEE 802.3 Clause 28 for detailed information.

1. 1000Base-T Full Duplex (highest priority)
2. 1000Base-T Half Duplex
3. 100Base-Tx Full Duplex
4. 100Base-Tx Half Duplex
5. 10Base-T Full Duplex
6. 10Base-T Half Duplex (lowest priority)

### 6.6.2. Auto-Negotiation Master/Slave Resolution

To establish a valid 1000Base-T link, the Master/Slave mode of both link partners should be resolved through the auto-negotiation process:

- Master Priority:
  - ◆ Multi-port > Single port
  - ◆ Manual > Non-manual
- Determination of Master/Slave configuration from LCW:
  - ◆ Manual\_MASTER=U0\*U1
  - ◆ Manual\_SLAVE=U0\*!U1
  - ◆ Single-port device=!U0\*!U2



- ◆ Multi-port device= $!U0*U2$   
Where: U0 is bit 0 of the Unformatted Page 1  
U1 is bit 1 of the Unformatted Page 1  
U2 is bit 2 of the Unformatted Page 1
- Where there are two stations with the same configuration, the one with higher Master-Slave seed SB[10:0] in the unformatted page 2 shall become Master.
- Master-Slave configuration process resolution:
  - ◆ Successful: Bit 10.15 Master-Slave Configuration Fault is set to logical 0, and bit 10.14 is set to logical 1 for Master resolution, or set to logical 0 for Slave resolution.
  - ◆ Unsuccessful: Auto-Negotiation restarts.
  - ◆ Fault detect: Bit 10.15 is set to logical 1 to indicate that a configuration fault has been detected. Auto-Negotiation restarts automatically. This happens when both stations are set to manual Master mode or manual Slave mode, or after seven attempts to configure the Master-Slave relationship through the seed method has failed.

### 6.6.3. Auto-Negotiation PAUSE/ASYMMETRIC PAUSE Resolution

Auto-negotiation is also used to determine the flow control capability between link partners. Flow control is a mechanism that can force a busy transmitting link partner to stop transmitting in a full duplex environment by sending special MAC control frames. In IEEE 802.3u, a PAUSE control frame had already been defined. However, in IEEE 802.3ab, a new ASY-PAUSE control frame was defined; if the MAC can only generate PAUSE frames but is not able to respond to PAUSE frames generated by the link partner, then it is called Asymmetric PAUSE.

PAUSE/ASYMMETRIC PAUSE capability can be configured by setting the ANAR bits 10 and 11 (Table 25, page 26). Link partner PAUSE capabilities can be determined from ANLPAR bits 10 and 11 (Table 26, page 27). A PHY layer device such as the RTL8211C(L) is not directly involved in PAUSE resolution, but simply advertises and reports PAUSE capabilities during the Auto-Negotiation process. The MAC is responsible for final PAUSE/ASYMMETRIC PAUSE resolution after a link is established, and is responsible for correct flow control actions thereafter.

## **6.7. Crossover Detection and Auto-Correction**

Ethernet needs a crossover mechanism between both link partners to cross the transmit signal to the receiver when the medium is twisted-pair cable (e.g., CAT.3 or CAT.5 UTP). Crossover Detection & Auto-Correction Configuration eliminates the need for crossover cables between devices, such as two PC's connected to each other with a CAT.3 or CAT.5 Ethernet cable. The basic concept is to assume the initial default setting is MDI mode, and then check the link status. If no link is established after a certain time, change to MDI Crossover mode and repeat the process until a link is established. An 11-bit pseudo-random timer is applied to decide the mode change time interval.

Crossover Detection & Auto-Correction is not a part of the Auto-Negotiation process, but it utilizes the process to exchange the MDI/MDI Crossover configuration. If the RTL8211C(L) is configured to only operate in 100Base-TX or only in 10Base-T mode, then Auto-Negotiation is disabled only if the Crossover Detection & Auto-Correction function is also disabled. If Crossover Detection & Auto-Correction are enabled, then Auto-Negotiation is enabled and the RTL8211C(L) advertises only 100Base-TX mode or 10Base-T mode. If the speed of operation is configured manually and Auto-Negotiation is still enabled because the Crossover Detection & Auto-Correction function is enabled, then the duplex advertised is as follows:

1. If CONFIG is set to half duplex, then only half duplex is advertised.
2. If CONFIG is set to full duplex, then both full and half duplex are advertised.

If the user wishes to advertise only full duplex at a particular speed with the Crossover Detection & Auto-Correction function enabled, then Auto-Negotiation should be enabled (register 0.12) with the appropriate advertising capabilities set in registers 4 or 9. The Crossover Detection & Auto-Correction function may be enabled/disabled by setting (register 16.6) manually.

After initial configuration following a hardware reset, Auto-Negotiation can be enabled and disabled via register 0.12, speed via registers 0.13, 0.6, and duplex via register 0.8. The abilities that are advertised can be changed via registers 4 and 9. Changes to registers 0.12, 0.13, 0.6, and 0.8 do not take effect unless at least one of the following events occurs:

- Software reset (register 0.15)
- Restart of Auto-Negotiation (register 0.9)
- Transition from power-down to power-up (register 0.11)

Registers 4 and 9 are internally latched once each time Auto-Negotiation enters the ABILITY DETECT state in the arbitration state machine (IEEE 802.3). Hence a write into register 4 or 9 has no effect once the RTL8211C(L) begins to transmit Fast Link Pulses.

Register 7 is treated in a similar manner as 4 and 9 during additional Next Page exchanges. Once the RTL8211C(L) completes Auto-Negotiation, it updates the various statuses in registers 1, 5, 6, and 10. The speed, duplex, page received, and Auto-Negotiation completed statuses are also available in registers 17 and 19.

## 6.8. LED Configuration

The RTL8211C supports six LED pins, suitable for multiple types of applications that can directly drive the LEDs. These pins are LED10, LED100, LED1000, LEDDUP, LEDRX, and LEDTX. The output of these pins is determined by setting the corresponding bits in register 24. The functionality of the LEDs is shown in Table 15.

**Table 15. LED Configuration (RTL8211C)**

Pin	Register 24 Control Bit	Register 24 Control Bit=0 (default)	Register 24 Control Bit=1
LED_LINK10	24.3	Low=10 Link Up High=10 Link Down	LED10, LED100: Low, Low=1000Mbps High, Low=100Mbps
LED_LINK100	24.3	Low=100 Link Up High=100 Link Down	Low, High=10Mbps High, High=Link Down
LED_LINK1000	24.3	Low=1000 Link Up High=1000 Link Down	Low=Link Up (Any speed) High=Link Down (Any speed)
LED_DUPLEX	24.2	Low=Full Duplex High=Half Duplex Blink=Collision	Low=Full Duplex High=Half Duplex
LED_RX	24.1	Low=Receiving High=Not Receiving	Low=Link Up High=Link Down Blinking=Receiving
LED_TX	24.0	Low=Transmitting High=Not Transmitting	Low=Link Up High=Link Down Blinking=Transmitting or Receiving

The RTL8211CL supports three LED pins, suitable for multiple types of applications that can directly drive the LEDs. The output of these pins is determined by setting the corresponding bits in Page2 register 26. To change the register page, see note 2 (below) and Table 18, page 20. The functionality of the RTL8211CL LEDs is shown in Table 16.

*Note 1: LED0, LED1, and LED2 are for RTL8211CL use. LED 1000, LED100, LED10, LEDTX, LEDRX, and LED DUPLEX are for RTL8211C use.*

*Note 2: To switch to Page2, Register 26, set Register 31 Data=0002. After setting, switch to PHY's Page0 (Register 31 Data=0000).*

**Table 16. LED Default Definitions (RTL8211CL)**

Pin	Description
LED0	Blinking=Transmitting or Receiving
LED1	Low=Link Up (Any speed) High=Link Down (Any speed) Note: High/Low active depends on hardware config setting.
LED2	N/A

Note: Default Register: Page2 Reg.26=0078 (RTL8211CL only)

**Table 17. LED Indication**

Pin No. (64-pin)	Pin No. (48-pin)	Pin Name	Type	Description
43	34	LED_Duplex/LED0	O	LED Duplex (RTL8211C), LED0 (RTL8211CL)
48	-	LED100	O	LED 100
44	35	LED1000/LED1	O	LED 1000 (RTL8211C), LED1 (RTL8211CL)
50	38	LED10/LED2	O	LED10 (RTL8211C), LED2 (RTL8211CL)
39	-	LED_TX	O	LED TX
40	-	LED_RX	O	LED RX

The functionality of the RTL8211CL LED pins can be customized from Page2 register26 (see Table 18). There are sixteen configuration types (see Table 19).

**Table 18. LED Register Table (RTL8211CL)**

	LINK Speed			Active (Tx/Rx)
	10Mbps	100Mbps	1000Mbps	
LED0	Reg26 Bit0	Reg26 Bit1	Reg26 Bit2	Reg26 Bit3
LED1	Reg26 Bit4	Reg26 Bit5	Reg26 Bit6	Reg26 Bit7
LED2	Reg26 Bit8	Reg26 Bit9	Reg26 Bit10	Reg26 Bit11

**Table 19. LED Configuration Table (RTL8211CL)**

Pin	LINK Bit			Active (Tx/Rx) Bit	Description
	10	100	1000		
LED	0	0	0	0	N/A
	0	0	0	1	Active
	0	0	1	0	Link 1000
	0	0	1	1	Link 1000+Active
	0	1	0	0	Link 100
	0	1	0	1	Link 100+Active
	0	1	1	0	Link 100/1000
	0	1	1	1	Link 100/1000+Active
	1	0	0	0	Link 10
	1	0	0	1	Link 10+Active

Pin	LINK Bit			Active (Tx/Rx) Bit	Description
	10	100	1000		
	1	0	1	0	Link 10/1000
	1	0	1	1	Link 10/1000+Active
	1	1	0	0	Link 10/100
	1	1	0	1	Link 10/100+Active
	1	1	1	0	Link 10/100/1000
	1	1	1	1	Link (10/10/1000)+Active

## 6.9. Polarity Correction

The RTL8211C(L) automatically corrects polarity errors on the receive pairs in 1000Base-T and 10Base-T modes. In 100Base-TX mode polarity is irrelevant. In 1000Base-T mode, receive polarity errors are automatically corrected based on the sequence of idle symbols. Once the descrambler is locked, the polarity is also locked on all pairs. The polarity becomes unlocked only when the receiver loses lock. In 10Base-T mode, polarity errors are corrected based on the detection of validly spaced link pulses. The detection begins during the MDI crossover detection phase and locks when the 10Base-T link is up. The polarity becomes unlocked when the link is down.

## 6.10. Power

The RTL8211C(L) implements a voltage regulator to generate operating power. The system vendor needs to supply a 3.3V, 1A steady power source. The RTL8211C(L) converts the 3.3V steady power source to 1.05V via a switching regulator.

Another possible implementation is to use an external regulator to generate 1.0V. Be sure that the regulator meets the required current rate.

The RTL8211C(L) implements an option for the RGMII power pins. The standard I/O voltage of the RGMII interface is 3.3V, with support for 2.5V to lower EMI. The 2.5V power source for RGMII is from an external regulator.

## 7. Register Descriptions

### 7.1. Register Mapping and Definitions

**Table 20. Register Mapping and Definitions**

Offset	Access	Name	Description
0	RW	BMCR	Basic Mode Control Register.
1	RO	BMSR	Basic Mode Status Register.
2	RO	PHYID1	PHY Identifier Register 1.
3	RO	PHYID2	PHY Identifier Register 2.
4	RW	ANAR	Auto-Negotiation Advertising Register.
5	RW	ANLPAR	Auto-Negotiation Link Partner Ability Register.
6	RW	ANER	Auto-Negotiation Expansion Register.
7	RW	ANNPTR	Auto-Negotiation Next Page Transmit Register.
8	RW	ANNPRR	Auto-Negotiation Next Page Receive Register.
9	RW	GBCR	1000Base-T Control Register.
10	RO	GBSR	1000Base-T Status Register.
11~14	RO	RSVD	Reserved.
15	RO	GBESR	1000Base-T Extended Status Register.
16	RW	PHYCR	PHY Specific Control Register.
17	RO	PHYSR	PHY Specific Status Register.
18	RW	INER	Interrupt Enable Register.
19	RO	INSR	Interrupt Status Register.
21	RO	RXERC	Receive Error Counter.
24	RW	LEDCR	LED Control Register.
25	RO	RSVD	Reserved.
27~30	RO	RSVD	Reserved.
31	RW	PAGSEL	Page Select Register.
26/Page2	RW	LEDCR	LED Control Register.

*Note: To switch to Page2, Register 26, set Register 31 Data=0002. After setting, switch to the PHY's Page0 (Register 31 Data=0000).*



## 7.2. Register Table

### 7.2.1. BMCR (Basic Mode Control Register, Address 0x00)

**Table 21. BMCR (Basic Mode Control Register, Address 0x00)**

Bit	Name	RW	Default	Description															
0.15	Reset	RW, SC <sup>1</sup>	0	Reset. 1: PHY reset 0: Normal operation															
0.14	Loopback	RW	0	Loopback Mode for 10M & 100M. 1: Enable loopback mode 0: Disable loopback mode The loopback function enables RGMII transmit data to be routed to the RGMII receive data path.															
0.13	Speed[0]	RW	0	Speed Select bit 0. In forced mode, i.e. when Auto-Negotiation is disabled, bits 6 and 13 determine device speed selection. <table border="1" data-bbox="683 846 1425 1037"> <thead> <tr> <th>Speed[1]</th> <th>Speed[0]</th> <th>Speed Enabled</th> </tr> </thead> <tbody> <tr> <td>1</td> <td>1</td> <td>Reserved</td> </tr> <tr> <td>1</td> <td>0</td> <td>1000Mbps</td> </tr> <tr> <td>0</td> <td>1</td> <td>100Mbps</td> </tr> <tr> <td>0</td> <td>0</td> <td>10Mbps</td> </tr> </tbody> </table>	Speed[1]	Speed[0]	Speed Enabled	1	1	Reserved	1	0	1000Mbps	0	1	100Mbps	0	0	10Mbps
Speed[1]	Speed[0]	Speed Enabled																	
1	1	Reserved																	
1	0	1000Mbps																	
0	1	100Mbps																	
0	0	10Mbps																	
0.12	ANE	RW	1	Auto-Negotiation Enable. 1: Enable Auto-Negotiation 0: Disable Auto-Negotiation															
0.11	PWD	RW	0	Power Down. 1: Power down (only Management Interface and logic active, link is down) 0: Normal operation															
0.10	Isolate	RW	0	Isolate. 1: RGMII interface is isolated; the serial management interface (MDC, MDIO) is still active. When this bit is asserted, the RTL8211C(L) ignores TXD[3:0], and TXCLT inputs, and presents a high impedance on TXC, RXC, RXCLT, RXD[3:0]. 0: Normal operation															
0.9	Restart_AN	RW, SC	0	Restart Auto-Negotiation. 1: Restart Auto-Negotiation 0: Normal operation															
0.8	Duplex	RW	1	Duplex Mode. 1: Full Duplex operation 0: Half Duplex operation This bit is valid only in force mode, i.e., NWay is disabled.															



Bit	Name	RW	Default	Description
0.7	Collision test	RW	0	Collision Test. 1: Collision test enabled 0: Normal operation When set, this bit will cause the COL signal to be asserted in response to the assertion of TXEN within 512-bit times. The COL signal will be de-asserted within 4-bit times in response to the de-assertion of TXEN.
0.6	Speed[1]	RW	1	Speed Select bit 1. Refer to bit 0.13.
0.5:0	RSVD	RO	000000	Reserved.

Note 1: SC: Self-cleared

Note 2: The power-on duplex, speed, and ANE values take on the values set by external pins AN[3:0] on hardware reset only. A write to these registers has no effect unless any one of the following also occurs: Software reset (0.15) is asserted, Restart AN (0.9) is asserted, or PWD (0.11) transitions from power down to normal operation.

Note 3: When the RTL8211C(L) is switched from power down to normal operation, software reset and restart auto-negotiation are performed even if bits Reset (0.15) and Restart AN (0.9) are not set by the user.

Note 4: Auto-Negotiation is enabled when speed is set to 1000Base-T. Crossover Detection & Auto-Correction takes precedence over Auto-Negotiation disable (0.12=0). If ANE is disabled, speed and duplex capabilities are advertised by 0.13, 0.6, and 0.8. Otherwise, register 4.8:5 and 9.9:8 take effect.

Note 5: Auto-Negotiation automatically restarts after hardware or software reset regardless of whether or not the restart bit (0.9) is set.

## 7.2.2. BMSR (Basic Mode Status Register, Address 0x01)

Table 22. BMSR (Basic Mode Status Register, Address 0x01)

Bit	Name	RW	Default	Description
1.15	100Base-T4	RO	0	100Base-T4 Capability. The RTL8211C(L) does not support 100Base-T4 mode. This bit should always be 0.
1.14	100Base-TX (full)	RO	1	100Base-TX Full Duplex Capability. 1: Device is able to perform 100Base-TX in full duplex mode 0: Device is not able to perform 100Base-TX in full duplex mode
1.13	100Base-TX (half)	RO	1	100Base-TX Half Duplex Capability. 1: Device is able to perform 100Base-TX in half duplex mode 0: Device is not able to perform 100Base-TX in half duplex mode
1.12	10Base-T (full)	RO	1	10Base-T Full Duplex Capability. 1: Device is able to perform 10Base-T in full duplex mode. 0: Device is not able to perform 10Base-T in full duplex mode.
1.11	10Base-T (half)	RO	1	10Base-T Half Duplex Capability. 1: Device is able to perform 10Base-T in half duplex mode 0: Device is not able to perform 10Base-T in half duplex mode
1.10	100Base-T2 (full)	RO	0	100Base-T2 Full Duplex Capability. The RTL8211C(L) does not support 100Base-T2 mode and this bit should always be 0.

Bit	Name	RW	Default	Description
1.9	100Base-T2 (half)	RO	0	100Base-T2 Half Duplex Capability. The RTL8211C(L) does not support 100Base-T2 mode. This bit should always be 0.
1.8	1000Base-T Extended status	RO	1	1000Base-T Extended Status Register. 1: Device supports Extended Status Register 0x0F (15) 0: Device does not support Extended Status Register 0x0F This register is read-only and is always set to 1.
1.7	RSVD	RO	0	Reserved.
1.6	Preamble Suppression	RO	1	Preamble Suppression Capability (Permanently On). The RTL8211C(L) always accepts transactions with preamble suppressed.
1.5	Auto-Negotiation Complete	RO	0	Auto-Negotiation Complete. 1: Auto-Negotiation process complete, and contents of registers 5, 6, 8, and 10 are valid 0: Auto-Negotiation process not complete
1.4	Remote Fault	RC*	0	Remote Fault. 1: Remote fault condition detected (cleared on read or by reset). Indication or notification of remote fault from Link Partner 0: No remote fault condition detected
1.3	Auto-Negotiation Ability	RO	1	Auto Configured Link. 1: Device is able to perform Auto-Negotiation 0: Device is not able to perform Auto-Negotiation
1.2	Link Status	RO	0	Link Status. 1: Linked 0: Not Linked This register indicates whether the link was lost since the last read. For the current link status, either read this register twice or read register bit 17.10 Link Real Time.
1.1	Jabber Detect	RC	0	Jabber Detect. 1: Jabber condition detected 0: No Jabber occurred
1.0	Extended Capability	RO	1	1: Extended register capabilities, always 1

Note: RC: Read-cleared after read.

### 7.2.3. PHYID1 (PHY Identifier Register 1, Address 0x02)

**Table 23. PHYID1 (PHY Identifier Register 1, Address 0x02)**

Bit	Name	RW	Default	Description
2.15:0	OUI_MSB	RO	0000000000011100	Organizationally Unique Identifier Bit 3:18. Always 0000000000011100.

Note: Realtek OUI is 0x000732.

### 7.2.4. PHYID2 (PHY Identifier Register 2, Address 0x03)

**Table 24. PHYID2 (PHY Identifier Register 2, Address 0x03)**

Bit	Name	RW	Default	Description
3.15:10	OUI_LSB	RO	110010	Organizationally Unique Identifier Bit 19:24. Always 110010.
3.9:4	Model Number	RO	010001	Always 010001.
3.3:0	Revision Number	RO	0010	Revision Number

### 7.2.5. ANAR (Auto-Negotiation Advertising Register, Address 0x04)

**Table 25. ANAR (Auto-Negotiation Advertising Register, Address 0x04)**

Bit	Name	RW	Default	Description
4.15	NextPage	RW	0	1: Additional next pages exchange desired 0: No additional next pages exchange desired
4.14	RSVD	RO	0	Reserved.
4.13	Remote fault	RW	0	1: Set Remote Fault bit 0: No remote fault detected
4.12	RSVD	RO	0	Reserved.
4.11	Asymmetric PAUSE	RW	0	1: Advertise support of asymmetric pause 0: No support of asymmetric pause
4.10	PAUSE	RW	0	1: Advertise support of pause frames 0: No support of pause frames
4.9	100Base-T4	RO	1	1: 100Base-T4 support 0: 100Base-T4 not supported
4.8	100Base-TX(full)	RW	1	1: Advertise support of 100Base-TX full-duplex mode 0: Not advertised
4.7	100Base-TX(half)	RW	1	1: Advertise support of 100Base-TX half-duplex mode 0: Not advertised
4.6	10Base-T(full)	RW	1	1: Advertise support of 10Base-TX full-duplex mode 0: Not advertised
4.5	10Base-T(half)	RW	1	1: Advertise support of 10Base-TX full-duplex mode 0: Not advertised
4.4:0	Selector field	RO	00001	Indicates the RTL8211C(L) supports IEEE 802.3

*Note 1: The setting of Register 4 has no effect unless NWay is restarted or the link goes down.*

*Note 2: If 1000Base-T is advertised, then the required next pages are automatically transmitted. Register 4.15 should be set to 0 if no additional next pages are needed.*

## 7.2.6. ANLPAR (Auto-Negotiation Link Partner Ability Register, Address 0x05)

**Table 26. ANLPAR (Auto-Negotiation Link Partner Ability Register, Address 0x05)**

Bit	Name	RW	Default	Description
5.15	Next Page	RO	0	Next Page Indication. Received Code Word Bit 15.
5.14	ACK	RO	0	Acknowledge. Received Code Word Bit 14.
5.13	Remote Fault	RO	0	Remote Fault indicated by Link Partner. Received Code Word Bit 13.
5.12:5	Technology Ability Field	RO	00000000	Received Code Word Bit 12:5.
5.4:0	Selector Field	RO	00000	Received Code Word Bit 4:0.

*Note: Register 5 is not valid until the Auto-Negotiation complete bit 1.5 indicates completed.*

## 7.2.7. ANER (Auto-Negotiation Expansion Register, Address 0x06)

**Table 27. ANER (Auto-Negotiation Expansion Register, Address 0x06)**

Bit	Name	RW	Default	Description
6.15:5	RSVD	RO	0x000	Reserved.
6.4	Parallel Detection Fault	RC	0	1: A fault has been detected via the Parallel Detection function 0: A fault has not been detected via the Parallel Detection function
6.3	Link Partner Next Pageable	RO	0	1: Link Partner supports Next Page exchange 0: Link Partner does not support Next Page exchange
6.2	Local Next Pageable	RO	1	1: Local Device is able to send Next Page Always 1.
6.1	Page Received	RC	0	1: A New Page (new LCW) has been received 0: A New Page has not been received
6.0	Link Partner Auto-Negotiation capable	RO	0	1: Link Partner supports Auto-Negotiation 0: Link Partner does not support Auto-Negotiation

*Note: Register 6 is not valid until the Auto-Negotiation complete bit 1.5 indicates completed.*

## 7.2.8. ANNPTR (Auto-Negotiation Next Page Transmit Register, Address 0x07)

**Table 28. ANNPTR (Auto-Negotiation Next Page Transmit Register, Address 0x07)**

Bit	Name	RW	Default	Description
7.15	Next Page	RW	0	Next Page Indication. 0: No more next pages to send 1: More next pages to send Transmit Code Word Bit 15.
7.14	RSVD	RO	0	Transmit Code Word Bit 14.
7.13	Message Page	RW	1	Message Page. 0: Unformatted Page 1: Message Page Transmit Code Word Bit 13.
7.12	Acknowledge 2	RW	0	Acknowledge2. 0: Local device has no ability to comply with the message received 1: Local device has the ability to comply with the message received Transmit Code Word Bit 12.
7.11	Toggle	RO	0	Toggle bit. Transmit Code Word Bit 11.
7.10:0	Message/ Unformatted Field	RW	0x001	Content of Message/Unformatted Page. Transmit Code Word Bit 10:0.

## 7.2.9. ANNPRR (Auto-Negotiation Next Page Receive Register, Address 0x08)

**Table 29. ANNPRR (Auto-Negotiation Next Page Receive Register, Address 0x08)**

Bit	Name	RW	Default	Description
8.15	Next Page	RO	0	Received Link Code Word Bit 15.
8.14	Acknowledge	RO	0	Received Link Code Word Bit 14.
8.13	Message Page	RO	0	Received Link Code Word Bit 13.
8.12	Acknowledge 2	RO	0	Received Link Code Word Bit 12.
8.11	Toggle	RO	0	Received Link Code Word Bit 11.
8.10:0	Message/ Unformatted Field	RO	0x00	Received Link Code Word Bit 10:0.

*Note: Register 8 is not valid until the Auto-Negotiation complete bit 1.5 indicates completed.*

### 7.3. GBCR (1000Base-T Control Register, Address 0x09)

**Table 30. GBCR (1000Base-T Control Register, Address 0x09)**

Bit	Name	RW	Default	Description
9.15:13	Test Mode	RW	0	Test Mode Select. 000: Normal Mode 001: Test Mode 1 - Transmit Jitter Test 010: Test Mode 2 - Transmit Jitter Test (MASTER mode) 011: Test Mode 3 - Transmit Jitter Test (SLAVE mode) 100: Test Mode 4 - Transmit Distortion Test 101, 110, 111: Reserved
9.12	MASTER/SLAVE Manual Configuration Enable	RW	AN[3:0]	Enable Manual Master/Slave Configuration. 1: Manual MASTER/SLAVE configuration 0: Automatic MASTER/SLAVE
9.11	MASTER/SLAVE Configuration Value	RW	AN[3:0]	Advertise Master/Slave Configuration Value. 1: Manual configure as MASTER 0: Manual configure as SLAVE
9.10	Port Type	RW	AN[3:0]	Advertise Device Type Preference. 1: Prefer multi-port device (MASTER) 0: Prefer single port device (SLAVE)
9.9	1000Base-T Full Duplex	RW	AN[3:0]	Advertise 1000Base-T Full-Duplex Capability. 1: Advertise 0: Do not advertise
9.8	1000Base-T Half Duplex	RW	AN[3:0]	Advertise 1000Base-T Half-Duplex Capability. 1: Advertise 0: Do not advertise
9.7:0	RSVD	RO	0	Reserved.

Note 1: Values set in register 9.12:8 have no effect unless Auto-Negotiation is restarted (Reg0.9) or the link goes down.

Note 2: Bits 9.11 and 9.10 are ignored when bit 9.12=0.



### 7.3.1. GBSR (1000Base-T Status Register, Address 0x0A)

**Table 31. GBSR (1000Base-T Status Register, Address 0x0A)**

Bit	Name	RW	Default	Description
10.15	MASTER/SLAVE Configuration Fault	RO, RC	0	Master/Slave Manual Configuration Fault Detected. 1: MASTER/SLAVE configuration fault detected 0: No MASTER/SLAVE configuration fault detected
10.14	MASTER/SLAVE Configuration Resolution	RO	0	Master/Slave Configuration Result. 1: Local PHY configuration resolved to MASTER 0: Local PHY configuration resolved to SLAVE
10.13	Local Receiver Status	RO	0	Local Receiver Status. 1: Local Receiver OK 0: Local Receiver Not OK
10.12	Remote Receiver Status	RO	0	Remote Receiver Status. 1: Remote Receiver OK 0: Remote Receiver Not OK
10.11	Link Partner 1000Base-T Full Duplex Capability	RO	0	Link Partner 1000Base-T Full Duplex Capability. 1: Link Partner is capable of 1000Base-T full duplex 0: Link Partner is not capable of 1000Base-T full duplex
10.10	Link Partner 1000Base-T Half Duplex Capability	RO	0	Link Partner 1000Base-T Half Duplex Capability. 1: Link Partner is capable of 1000Base-T half duplex 0: Link Partner is not capable of 1000Base-T half duplex
10.9:8	RSVD	RO	00	Reserved.
10.7:0	Idle Error Count	RO, RC	0x00	MSB of Idle Error Counter. The counter stops automatically when it reaches 0xff.

Note 1: Values set in register 10.11:10 are not valid until register 6.1 is set to 1.

Note 2: Register 10 is not valid until the Auto-Negotiation complete bit 1.5 indicates completed.

### 7.3.2. GBESR (1000Base-T Extended Status Register, Address 0x0F)

**Table 32. GBESR (1000Base-T Extended Status Register, Address 0x0F)**

Bit	Name	RW	Default	Description
15.15	1000Base-X FD	RO	0	0: Not 1000Base-X full duplex capable
15.14	1000Base-X HD	RO	0	0: Not 1000Base-X half duplex capable
15.13	1000Base-T FD	RO	1	1: 1000Base-T full duplex capable
15.12	1000Base-T HD	RO	1	1: 1000Base-T half duplex capable
15.11:0	RSVD	RO	0x000	Reserved.



### 7.3.3. PHYCR (PHY Specific Control Register, Address 0x10)

**Table 33. PHYCR (PHY Specific Control Register, Address 0x10)**

Bit	Name	RW	Default	Description
16.15:12	RSVD	RW	0000	Reserved.
16.11	Assert CRS on Transmit	RW	0	1: Assert CRS on transmit 0: Never assert CRS on transmit
16.10	Force Link Good	RW	0	1: Force link good                      0: Normal operation
16.9:7	RSVD	RW	011	Reserved.
16.6:5	MDI Crossover Mode	RW	11	01: Manual MDI configuration 00: Manual MDI Crossover configuration <i>Note: Before setting the register, address 0xE bit10 need set to 1. After setting the register, a PHY reset is required.</i>
16.4	Disable CLK125	RW	0	The CLK125 I/O pin (RTL8211C=pin 41, and RTL8211CL=pin 32) function is disabled by default. Please contact Realtek FAE (nicfae@realtek.com) for enabling instructions. After enabling I/O pin (pin41/pin32), functions are as shown below: 1: CLK125 remains at logic Low 0: CLK125 Toggling Enabled
16.3:1	RSVD	RW	111	Reserved.
16.0	Disable Jabber	RW	0	1: Disable jabber function              0: Enable jabber function

### 7.3.4. PHYSR (PHY Specific Status Register, Address 0x11)

**Table 34. PHYSR (PHY Specific Status Register, Address 0x11)**

Bit	Name	RW	Default	Description
17.15:14	Speed	RO	01	Link Speed. 11: Reserved                      10: 1000Mbps 01: 100Mbps                      00: 10Mbps
17.13	Duplex	RO	0	Full/Half Duplex Mode. 1: Full duplex                      0: Half duplex
17.12	Page received	RC	0	New Page Received. 1: Page received                      0: Page not received
17.11	Speed and duplex resolved	RO	0	Speed and Duplex Mode Resolved. 1: Resolved                      0: Not resolved
17.10	Link (real time)	RO	0	Real Time Link Status. 1: Link OK                      0: Link not OK
17.9:7	RSVD	RO	000	Reserved.
17.6	MDI crossover status	RO	0	MDI/MDI Crossover Status. 1: MDI Crossover                      0: MDI
17.5	LED Control	RW	0	0: Low active                      1: High active
17.4	LED Definition	RW	1	0: N/A 1: Link and Speed Indication by combination of LEDs (Only for RTL8211CL)
17.3	ALDPS	RW	1	0: Disable Advance link down power saving 1: Enable Advance link down power saving
17.2:1	RSVD	RW	10	Reserved.
17.0	Jabber (real time)	RO	0	Real Time Jabber Indication. 1: Jabber Indication                      0: No jabber Indication

### 7.3.5. INER (Interrupt Enable Register, Address 0x12)

**Table 35. INER (Interrupt Enable Register, Address 0x12)**

Bit	Name	RW	Default	Description
18.15	Auto-Negotiation Error Interrupt	RW	0	1: Interrupt enable    0: Interrupt disable
18.14	Speed Change Interrupt	RW	0	1: Interrupt enable    0: Interrupt disable
18.13	Duplex Mode Change Interrupt	RW	0	1: Interrupt enable    0: Interrupt disable
18.12	Page Received Interrupt	RW	0	1: Interrupt enable    0: Interrupt disable
18.11	Auto-Negotiation Completed Interrupt	RW	0	1: Interrupt enable    0: Interrupt disable
18.10	Link Status Change Interrupt	RW	0	1: Interrupt enable    0: Interrupt disable
18.9	Symbol Error Interrupt	RW	0	1: Interrupt enable    0: Interrupt disable
18.8	False Carrier Interrupt	RW	0	1: Interrupt enable    0: Interrupt disable
18.7	RSVD	RW	0	Reserved.
18.6	MDI Crossover Change Interrupt	RW	0	1: Interrupt enable    0: Interrupt disable
18.5:2	RSVD	RW	0	Reserved.
18.1	Polarity Change Interrupt	RW	0	1: Interrupt enable    0: Interrupt disable
18.0	Jabber Interrupt	RW	0	1: Interrupt enable    0: Interrupt disable

### 7.3.6. INSR (Interrupt Status Register, Address 0x13)

**Table 36. INSR (Interrupt Status Register, Address 0x13)**

Bit	Name	RW	Default	Description
19.15	Auto-Negotiation Error	RC	0	1: Auto-Negotiation Error    0: No Auto-Negotiation Error
19.14	Speed Change	RC	0	1: Link speed changed    0: Link speed not changed
19.13	Duplex Mode Change	RC	0	1: Duplex mode changed    0: Duplex mode not changed
19.12	Page Received	RC	0	1: Page (a new LCW) received 0: Page not received
19.11	Auto-Negotiation Completed	RC	0	1: Auto-Negotiation completed 0: Auto-Negotiation not completed
19.10	Link Status Change	RC	0	1: Link status changed    0: Link status not changed
19.9	Symbol Error	RC	0	1: Symbol error detected    0: No symbol error detected
19.8	False Carrier	RC	0	1: False carrier    0: No false carrier detected
19.7	RSVD	RC	0	Reserved.
19.6	MDI Crossover Change	RC	0	1: Crossover status changed 0: Crossover status not changed
19.5:2	RSVD	RC	0000	Reserved.
19.1	Polarity Change	RC	0	1: Polarity Changed    0: Polarity not changed <i>Note: This bit is valid only when 1000Base-T is enabled.</i>
19.0	Jabber	RC	0	1: Jabber detected    0: No jabber detected

### 7.3.7. RXERC (Receive Error Counter, Address 0x15)

**Table 37. RXERC (Receive Error Counter, Address 0x15)**

Bit	Name	RW	Default	Description
21.15:0	Receive Error Count	RC	0x0000	Receive Error Count.

Note: The RXERC register is read-cleared after a read.

### 7.3.8. LEDCR (LED Control Register, Address 0x18)

**Table 38. LEDCR (LED Control Register, Address 0x18)**

Bit	Name	RW	Default	Description
24.15	Disable LED	RW	0	0: Enable 1: Disable
24.14:12	LED Pulse Stretch Duration	RW	010	000: No pulse stretching      001: 21ms to 42ms 010: 42ms to 84ms            011: 84ms to 170ms 100: 170ms to 340ms        101: 340ms to 670ms 110: 670ms to 1.3s         111: 1.3s to 2.7s
24.11	RSVD	RW	0	Reserved.
24.10:8	RSVD	RW	111	Reserved.
24.7:4	RSVD	RW	0100	Reserved.
24.3	LEDLINK Control	RW	0	1: Link and Speed Indication by combination of LEDs 0: Link and Speed Indication by specific LED Refer to section 6.8 LED Configuration (only for RTL8211C).
24.2	LEDDUP Control	RW	0	1: Full Duplex Indication 0: Full Duplex/Collision Indication
24.1	LEDRX Control	RW	0	1: Rx Activity/Link Indication 0: Rx Activity Indication only
24.0	LEDTX Control	RW	0	1: Tx or Rx Activity/Link Indication 0: Tx Activity Indication only

### 7.3.9. PAGSEL (Page Select Register, Address 0x1F)

**Table 39. PAGSEL (Page Select Register, Address 0x1F)**

Bit	Name	RW	Default	Description
31.15:3	RSVD	RW	0	Reserved.
31.2:0	Pagesel	RW	000	Page Select Signal. 000: Page 0 (default page)      001: Page 1 010: Page 2                        011: Page 3 100: Page 4

## 8. Switching Regulator

The RTL8211C(L)-GR incorporates a state-of-the-art switching regulator that requires a well-designed PCB layout in order to achieve good power efficiency and lower the output voltage ripple and input overshoot.

### 8.1. PCB Layout

- The input 3.3V power trace connected to VDDREG should be wider than 40mils.
- The bulk de-coupling capacitors (C82 and C83) should be placed within 200mils (0.5cm) of VDDREG to prevent input voltage overshoot.
- The output power trace out of REG\_OUT should be wider than 60mils.
- Keep L1 (4.7 $\mu$ H) within 200mils (0.5cm) of REG\_OUT.
- Keep C18 and C19 within 200mils (0.5cm) of L1 to ensure stable output power and better power efficiency.
- Both C18 and C82 are strongly recommended to be ceramic capacitors.

Note: Violation of the above rules will damage the IC.

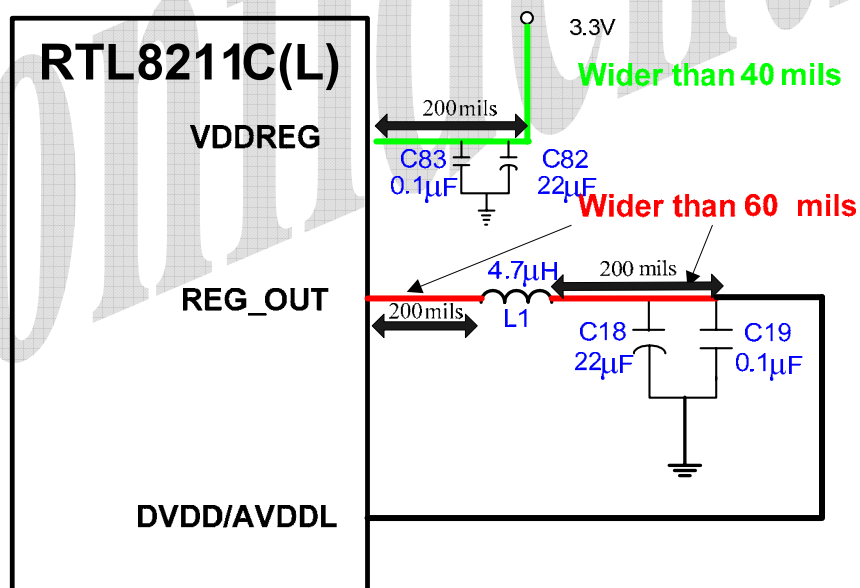


Figure 6. Switching Regulator Application

Note: RTL8211C Pin1=REG\_OUT/Pin63=VDDREG

RTL8211CL Pin48=REG\_OUT/Pin44 and Pin45=VDDREG (Two pins for VDDREG)

## 8.2. Inductor and Capacitor Parts List

**Table 40. Inductor and Capacitor Parts List**

Inductor Type	Inductance	Q at 500KHz	ESR at 500KHz (MΩ)	Max I (mA)	Output Ripple (mV)
4R7GTSD32	5.1μH	57.15	281	1100	12.6
6R8GTSD32	6.7μH	67.35	313	900	12
6R8GTSD53	7.1μH	59.7	375	1510	10.4

Note 1: The ESR is equivalent to RDC or DCR. Lower ESR inductor values will promote a higher efficiency switching regulator.

Note 2: The power inductor used by the switching regulator should be able to withstand 600mA of current.

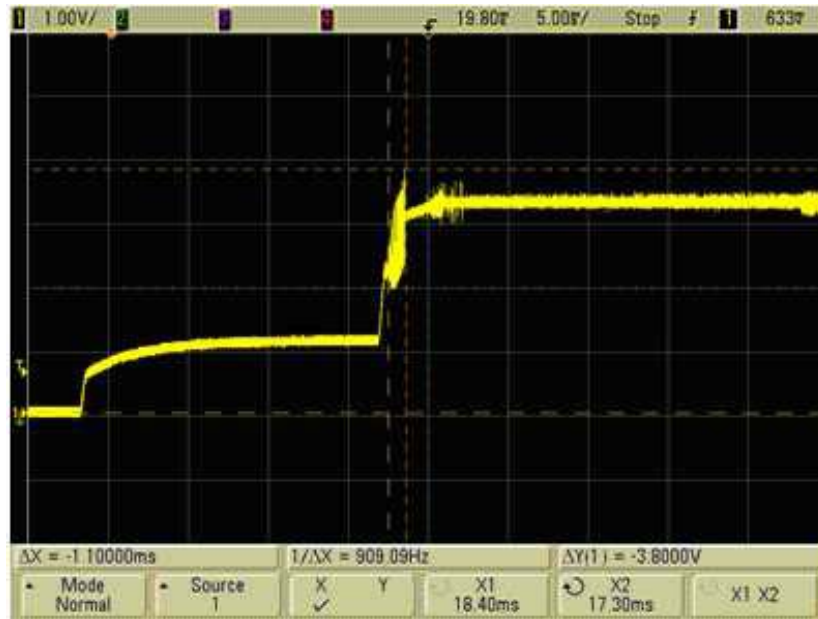
Note 3: Typically, if the power inductor's ESR at 1MHz is below 0.8 Ω, the switching regulator efficiency will be above 75%. However the actual switching regulator efficiency must be measured according to the method described in section 8.5 Efficiency Measurement, page 41.

Capacitor Type	Capacitance	ESR at 500KHz (MΩ)	Output Ripple (mV)	Load Transient (mV)
22μF 1210 TDK	21.5μF	24.25	9.6	81.0
22μF 1210 X5R	22.15μF	24.90	10.4	73.0

Note: Capacitors (C18 and C82) are suggested to be ceramic due to their low ESR value. Lower ESR values will yield lower output voltage ripple.

### 8.3. Measurement Criteria

In order for the switching regulator to operate properly, the input and output voltage measurement criteria must be met. From the input side, the voltage overshoot cannot exceed 4V; otherwise the chip may be damaged. Note that the voltage signal must be measured directly at VDDREG, not at the capacitor. In order to reduce the input voltage overshoot, the C82 and C83 must be placed close to VDDREG. The following figures show what a good input voltage and a bad one look like.



**Figure 7. Input Voltage Overshoot <4V (Good)**



**Figure 8. Input Voltage Overshoot >4V (Bad)**

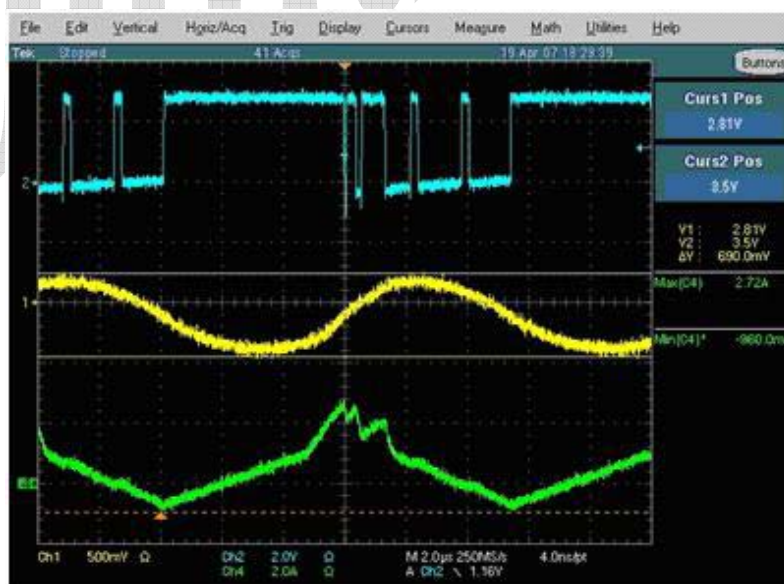


From the output side measured at REG\_OUT, the voltage ripple must be within 100mV. Choosing different types and values of output capacitor (C18, C19) and power inductor (L1) will seriously affect the efficiency and output voltage ripple of switching regulators. The following figures show the effects of different types of capacitors on the switching regulator's output voltage.

The blue square wave signal (top row) is measured at the output of REG\_OUT before the power inductor (L1). The yellow signal (second row) is measured after the power inductor (L1), and shows there is a voltage ripple. The green signal (lower row) is the current. Data in the following figures was measured at gigabit speed.



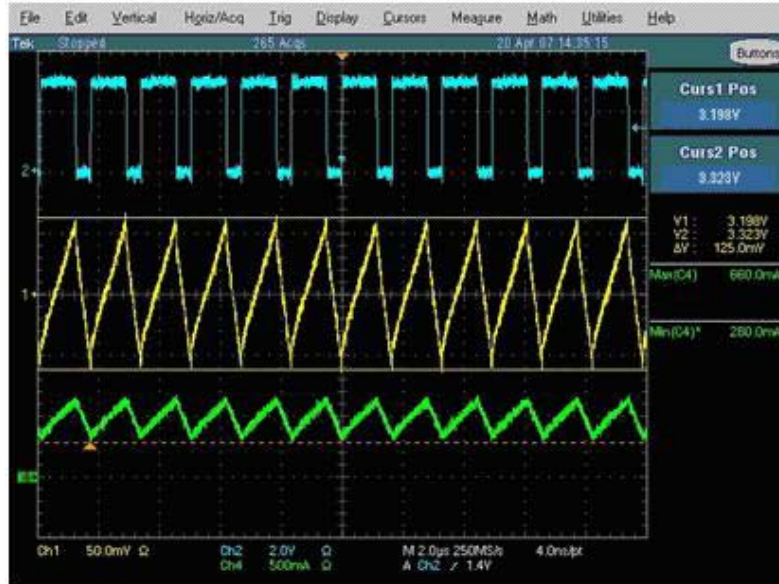
**Figure 9. Ceramic 22µF 1210(X5R) (Good)**



**Figure 10. Ceramic 22µF 0805(Y5V) (Bad)**



A ceramic 22 $\mu$ F (X5R) will have a lower voltage ripple compared to the electrolytic 100 $\mu$ F. The key to choosing a proper output capacitor is to choose the lowest ESR to reduce the output voltage ripple. Choosing a ceramic 22 $\mu$ F 0805 (Y5V) in this case will cause malfunction of the switching regulator. Placing several Electrolytic capacitors in parallel will help lower the output voltage ripple.



**Figure 11. Electrolytic 100 $\mu$ F (Ripple Too High)**

The following figures show how different inductors affect the REG\_OUT output waveform. The typical waveform should look like Figure 12, which has a square waveform with a dip at the falling edge and the rising edge. If the inductor is not carefully chosen, the waveform may look like Figure 13, where the waveform looks like a distorted square. This will cause insufficient current supply and will undermine the stability of the system at gigabit speed. Data in the following figures was measured at gigabit speed.

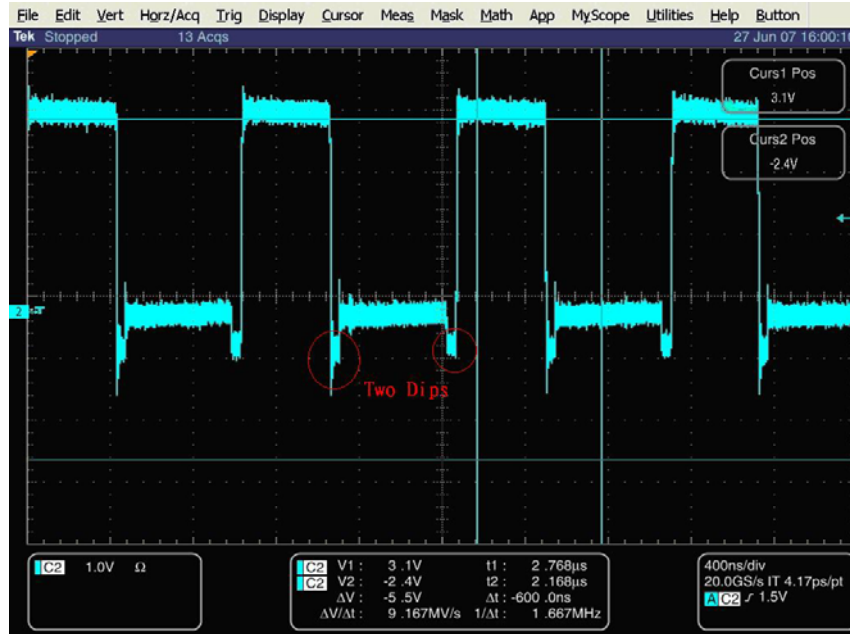


Figure 12. 4R7GTSD32 (Good)

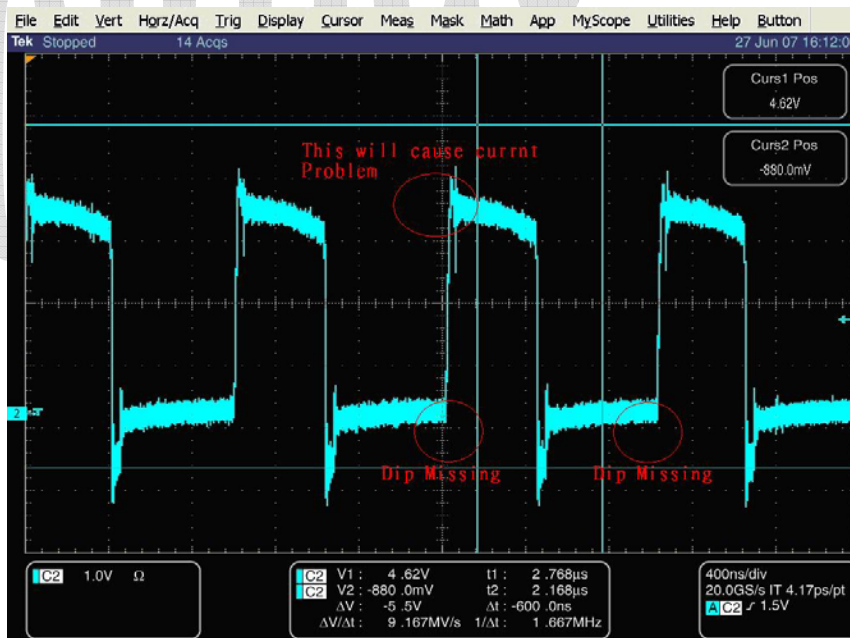


Figure 13. 1 $\mu$ H Bead (Bad)

## 8.4. Typical Switching Regulator PCB Layout

The typical layout of Figure 14 and Figure 15 are similar. The trace from RSET should pass through a via to the lower layer, and the trace should be protected by a ground trace. The width of the ground trace should be more than 5 mils.

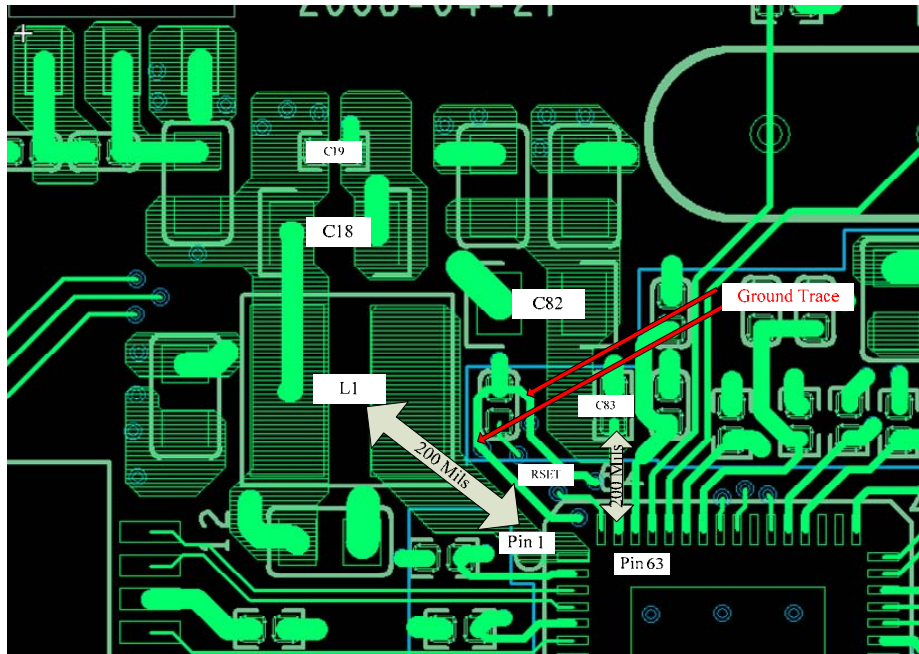


Figure 14. 64-Pin Typical Switching Regulator PCB Layout (Top Layer)

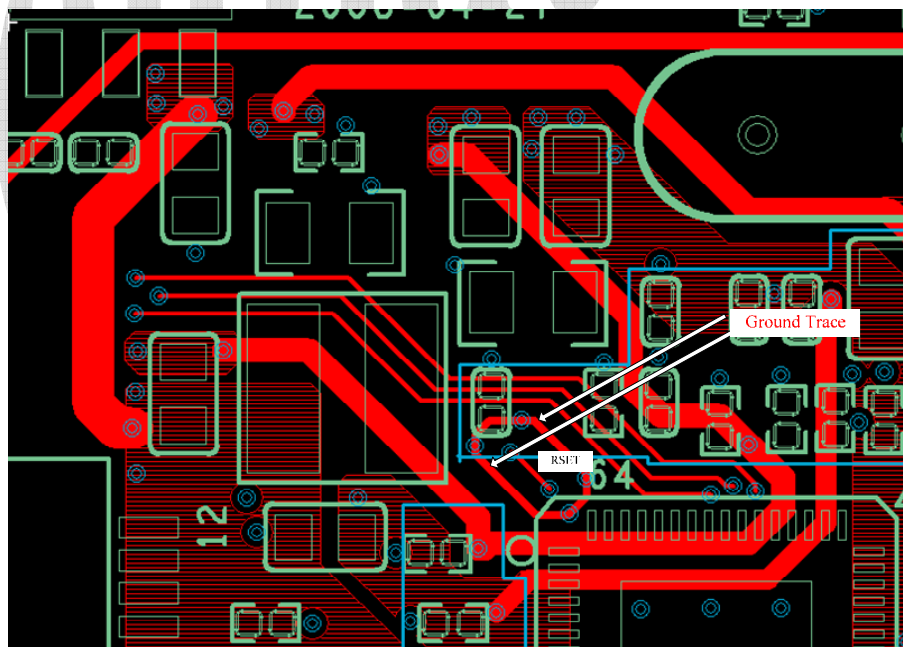


Figure 15. 64-Pin Typical Switching Regulator PCB Layout (Bottom Layer)

## 8.5. Efficiency Measurement

The efficiency of the switching regulator is designed to be above 75% in gigabit traffic mode. It is very important to choose a suitable inductor before Gerber certification, as the Inductor ESR value will affect the efficiency of the switching regulator. An inductor with a lower ESR value will result in a higher efficiency switching regulator.

The efficiency of the switching regulator is easily measured using the following method.

Figure 16 shows two checkpoints, checkpoint A (CP\_A) and checkpoint B (CP\_B). The switching regulator input current ( $I_{cpa}$ ) should be measured at CP\_A, and the switching regulator output current ( $I_{cpb}$ ) should be measured at CP\_B.

To determine efficiency, apply the following formula:

$$\text{Efficiency} = V_{cpb} \cdot I_{cpb} / V_{cpa} \cdot I_{cpa}$$

Where  $V_{cpb}$  is 1.05V;  $V_{cpa}$  is 3.3V. The measurements should be performed in gigabit traffic mode.

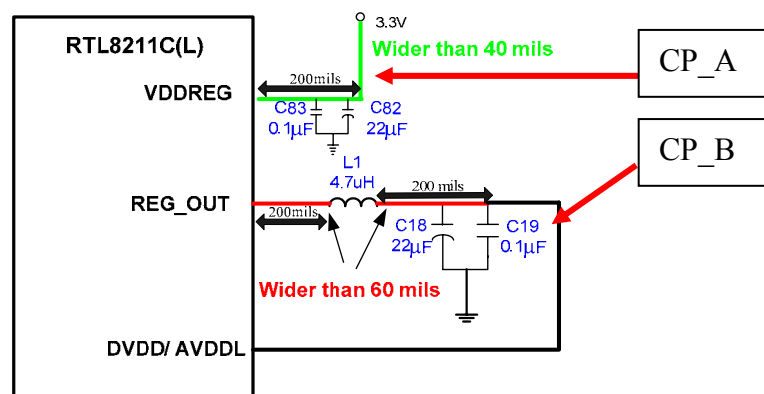
For example: The inductor used in the evaluation board is a GOTREND GTSD32-4R7M:

- The ESR value @ 1MHz is approximately 0.712ohm
- The measured  $I_{cpa}$  is 160mA at CP\_A
- The measured  $I_{cpb}$  is 400mA at CP\_B

These values are measured in gigabit traffic mode, so the efficiency of the GOTREND GTSD32-4R7M can be calculated as follows:

$$\text{Efficiency} = (1.05V \cdot 400mA) / (3.3V \cdot 160mA) = 0.80 = 80\%$$

We strongly recommend that when choosing an inductor for the switching regulator, the efficiency should be measured, and that the inductor should yield an efficiency rating higher than 75%. If the efficiency does not meet this requirement, there may be risk to the switching regulator reliability in the long run.



**Figure 16. Switching Regulator Efficiency Measurement Checkpoint**

## 8.6. Power Sequence

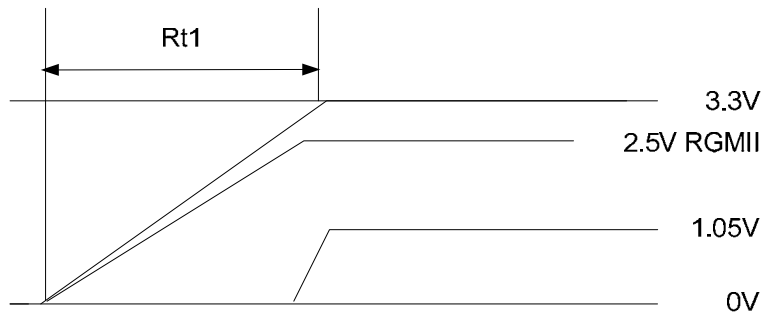


Figure 17. Power Sequence

Table 41. Power Sequence parameter

Symbol	Description	Min	Typical	Max	Units
Rt1	3.3V Rise Time	1	-	100	ms
Rt1	2.5V RGMII Rise Time	-	-	100	ms

Note: The RTL8211C(L) does not support fast 3.3V rising. The 3.3V rise time must be controlled over 1ms. If the rise time is too short, it will induce a peak voltage in VDDREG which may cause permanent damage to the switching regulator.

## 9. Application Diagram

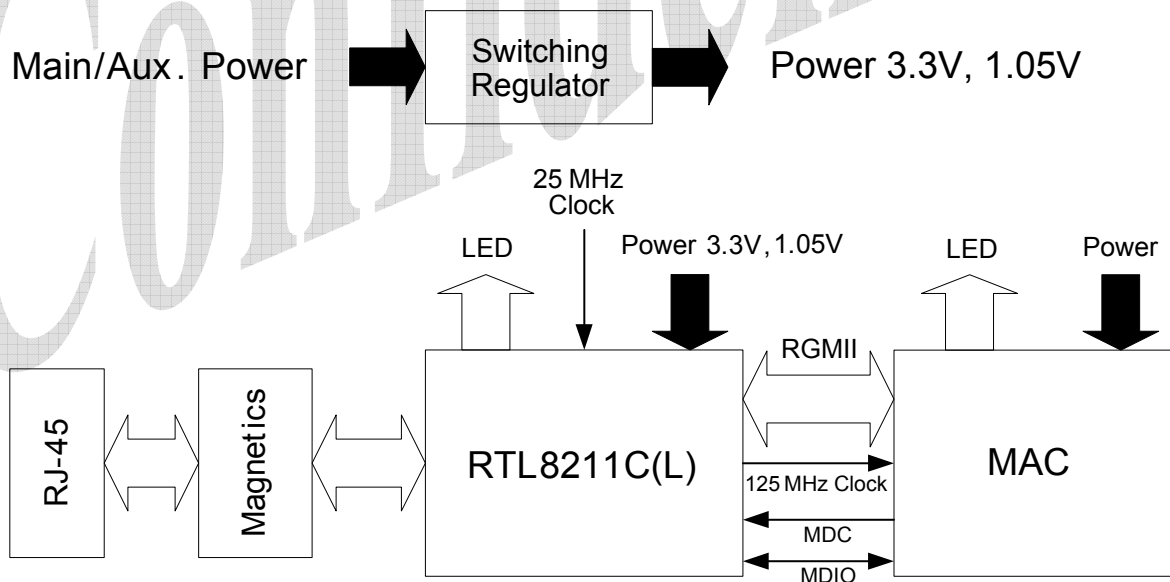


Figure 18. Application Diagram



## 10. Characteristics

### 10.1. Absolute Maximum Ratings

**Table 42. Absolute Maximum Ratings**

Symbol	Description	Minimum	Maximum	Unit
VDD33, AVDD33	Supply Voltage 3.3V	-0.4	+0.4	V
AVDD10, DVDD10	Supply Voltage 1.05V	-0.1	+0.1	V
VDD25 (RGMII 2.5V)	Supply Voltage 2.5V	-0.2	+0.3	V
DCinput	Input Voltage	-0.5	Corresponding Supply Voltage + 0.5	V
DCoutput	Output Voltage	-0.3	Corresponding Supply Voltage + 0.5	V
NA	Storage Temperature	-55	+125	°C

Note: Refer to the most updated schematic circuit for correct configuration.

WARNING: Absolute maximum ratings are limits beyond which permanent damage may be caused to the device, or device reliability will be affected. All voltages are specified reference to GND unless otherwise specified.

### 10.2. Recommended Operating Conditions

**Table 43. Recommended Operating Conditions**

Description	Pins	Minimum	Typical	Maximum	Unit
Supply Voltage VDD	DVDD33, AVDD33	2.97	3.3	3.63	V
	AVDD10, DVDD10	0.95	1.05	1.09	V
	2.5V RGMII	2.37	2.5	2.62	V
Ambient Operating Temperature $T_A$	-	0	-	70	°C
Maximum Junction Temperature	-	-	-	125	°C

### 10.3. Crystal Requirements

**Table 44. Crystal Requirements**

Symbol	Description/Condition	Minimum	Typical	Maximum	Unit
$F_{ref}$	Parallel resonant crystal reference frequency, fundamental mode, AT-cut type.	-	25	-	MHz
$F_{ref}$ Stability	Parallel resonant crystal frequency stability, fundamental mode, AT-cut type. $T_a=0^{\circ}C\sim 70^{\circ}C$ .	-30	-	+30	ppm
$F_{ref}$ Tolerance	Parallel resonant crystal frequency tolerance, fundamental mode, AT-cut type. $T_a=25^{\circ}C$ .	-50	-	+50	ppm
$F_{ref}$ Duty Cycle	Reference clock input duty cycle.	40	-	60	%
ESR	Equivalent Series Resistance.	-	-	30	$\Omega$
DL	Drive Level.	-	-	0.5	mW

## 10.4. DC Characteristics

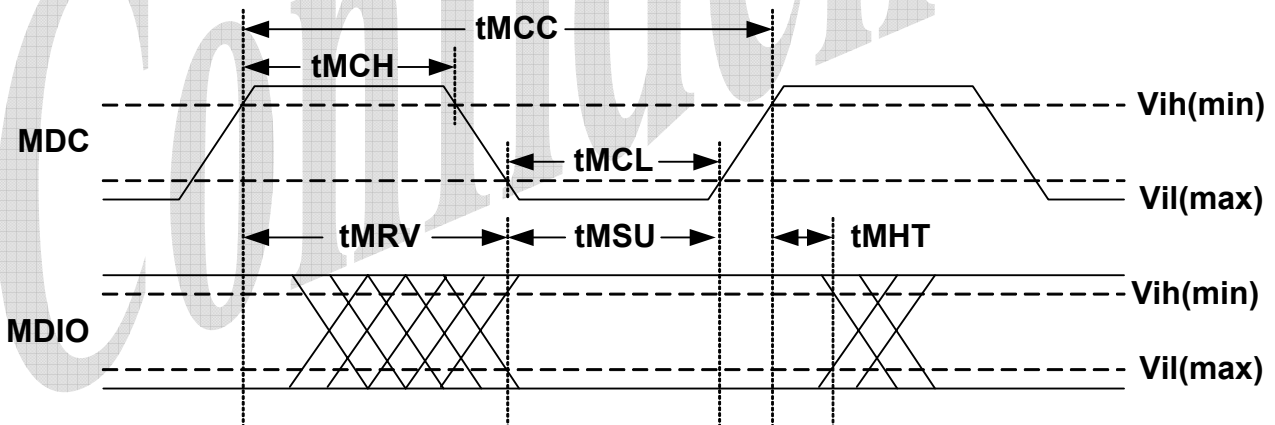
**Table 45. DC Characteristics**

Symbol	Parameter	Conditions	Minimum	Typical	Maximum	Units
VDD33, AVDD33	3.3V Supply Voltage	-	2.97	3.3	3.63	V
RGMII I/O	2.5V RGMII Supply Voltage	-	2.37	2.5	2.62	V
DVDD10, AVDD10	1.05V Supply Voltage	-	0.95	1.05	1.09	V
Voh (3.3V)	Minimum High Level Output Voltage	-	0.9*VDD33	-	VDD33	V
Voh (2.5V)	Minimum High Level Output Voltage	-	0.9*VDD25	-	VDD25	V
Vol (3.3V)	Maximum Low Level Output Voltage	-	0	-	0.1*VDD33	V
Vol (2.5V)	Maximum Low Level Output Voltage	-	0	-	0.1*VDD25	V
Vih	Minimum High Level Input Voltage	-	1.8	-	-	V
Vil	Maximum Low Level Input Voltage	-	-	-	0.9	V
Iin	Input Current	Vin=VDD33 or GND	0	-	0.5	μA

## 10.5. AC Characteristics

### 10.5.1. MDC/MDIO Timing

#### MDC/MDIO Timing – Management Port

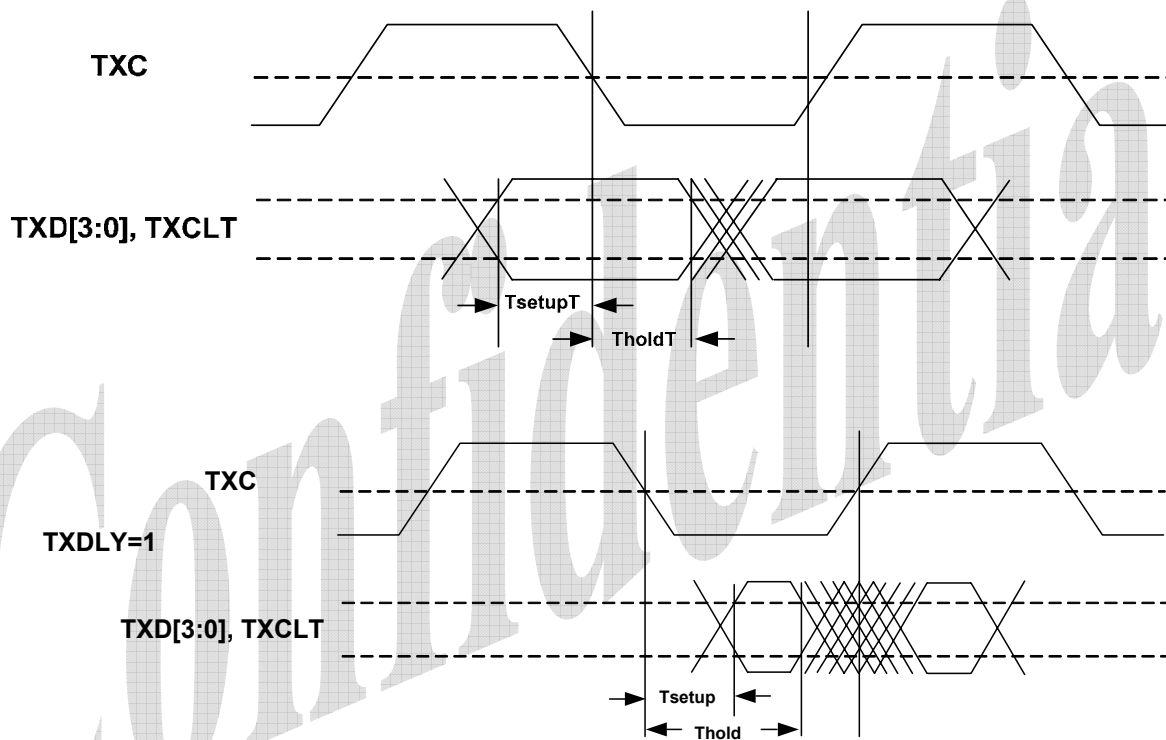

**Figure 19. MDC/MDIO Management Timing Parameters**

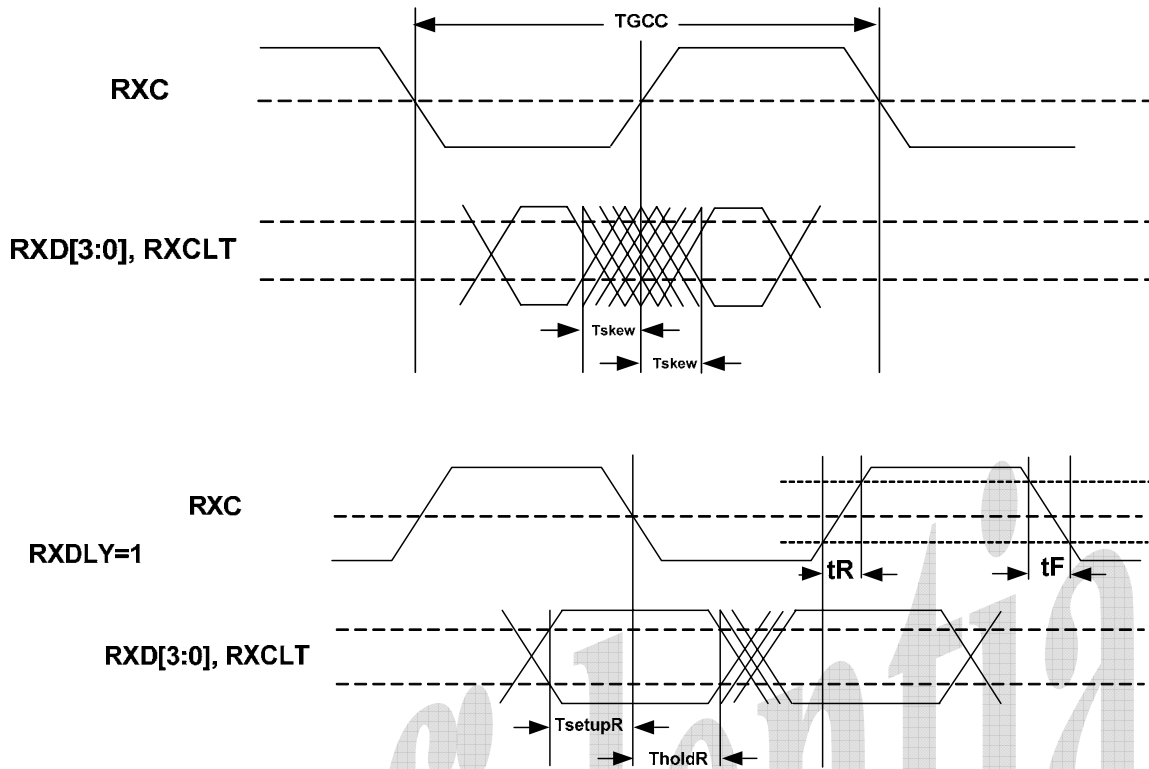


**Table 46. MDC/MDIO Management Timing Parameters**

Symbol	Description	Min	Max	Units
tMCC	MDC Cycle Time	80	-	ns
tMCH	MDC High Time	30	-	ns
tMCL	MDC Low Time	30	-	ns
tMSU	MDIO Setup Time	10	-	ns
tMHT	MDIO Hold Time	10	-	ns
tMRV	MDC Clock Rise to MDIO Valid	-	40	ns

### 10.5.2. RGMII Timing Modes

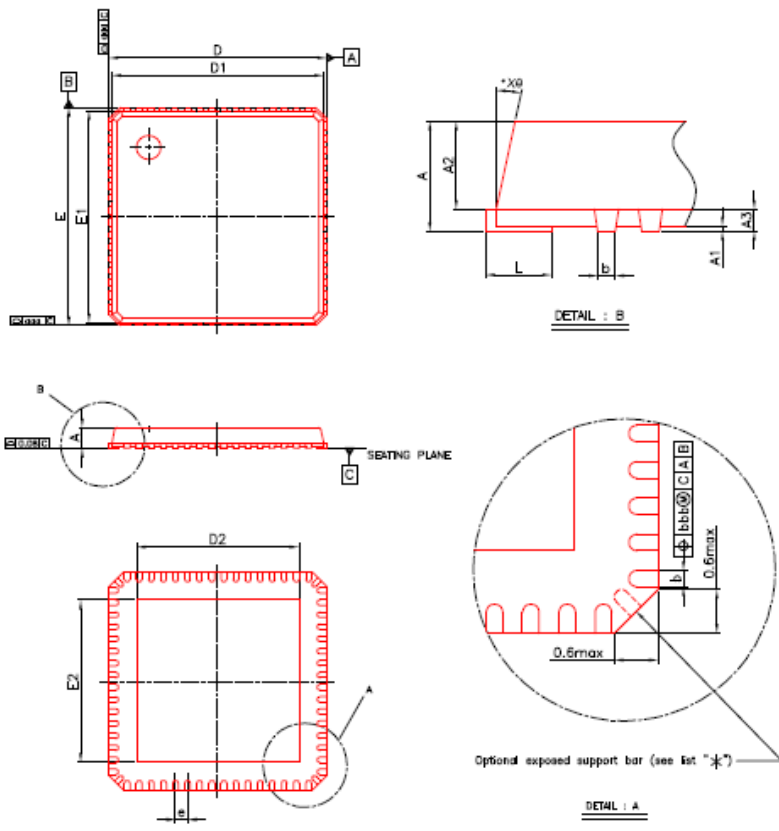



**Figure 20. RGMII Timing Modes**
**Table 47. RGMII Timing Parameters**

Symbol	Description	Min	Typical	Max	Units
TXC/RXC	TXC, RXC Frequency	125-100ppm	125	125+100ppm	MHz
tGCC	TXC, RXC Cycle Time	-	8	-	ns
tR	RXC Rise Time (20%~80%)	-	-	0.75	ns
tF	RXC Fall Time (20%~80%)	-	-	0.75	ns
TsetupT	TXD, TXCLT Setup to TXC	1	2	-	ns
TholdT	TXD, TXCLT Hold from TXC	0.8	2	-	ns
Tsetup	TXDLY=1; TXD, TXCLT Setup to TXC	-0.9	-	-	ns
Thold	TXDLY=1; TXD, TXCLT Hold from TXC	2.7	-	-	ns
Tskew	Data to Clock Output Skew	-0.5	0	0.5	ns
TsetupR	RXDLY=1; RXD, RXCLT Setup to RXC	1.2	2	-	ns
TholdR	RXDLY=1; RXD, RXCLT Hold from RXC	1	2	-	ns

# 11. Mechanical Dimensions

## 11.1. RTL8211C 64-Pin QFN Mechanical Dimensions



Symbol	Dimension in mm			Dimension in inch		
	MIN	NOM	MAX	MIN	NOM	MAX
A	0.80	0.85	1.00	0.031	0.033	0.039
A1	0.00	0.02	0.05	0.000	0.0008	0.002
A2	---	0.65	1.00	---	0.026	0.039
A3	0.20 REF			0.008 REF		
b	0.16	0.23	0.30	0.007	0.009	0.012
D	9.00 BSC			0.354 BSC		
D1	8.75 BSC			0.344 BSC		
E	9.00 BSC			0.354 BSC		
E1	8.75 BSC			0.344 BSC		
e	0.50 BSC			0.020 BSC		
L	0.30	0.40	0.50	0.012	0.016	0.020
R	0°	---	12°	0°	---	12°
ggg	---	---	0.25	---	---	0.010
bbb	---	---	0.10	---	---	0.004
chamfer	---	---	0.60	---	---	0.024

NOTE:

1. CONTROLLING DIMENSION : MILLIMETER
2. REFERENCE DOCUMENT: PROPOSED JEDEC MO-220.

L/F	D2 (mm)	E2 (mm)	*				
⊙	6.90	7.05	7.20	6.90	7.05	7.20	YES / NO
⊙	6.70	6.85	7.00	6.70	6.85	7.00	NO
⊙	5.54	5.69	5.84	5.54	5.69	5.84	NO
⊙	3.64	3.79	3.94	3.64	3.79	3.94	NO

Note: For RTL8211C-GR specific information refer to line 3.  
Note: Exposed Pad is Analog and Digital Ground.

**OVER MOLD**

TITLE : 64LD QFN (9x9 mm) PACKAGE OUTLINE

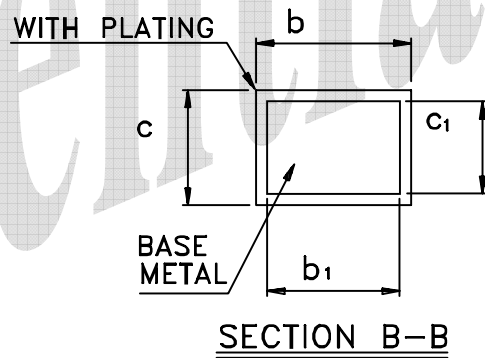
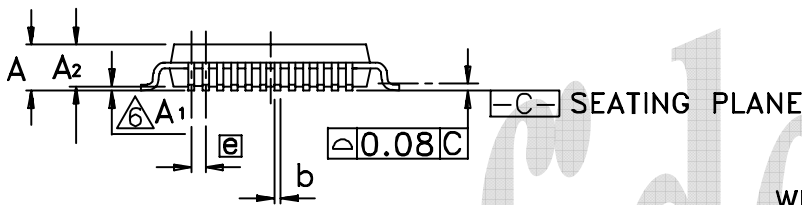
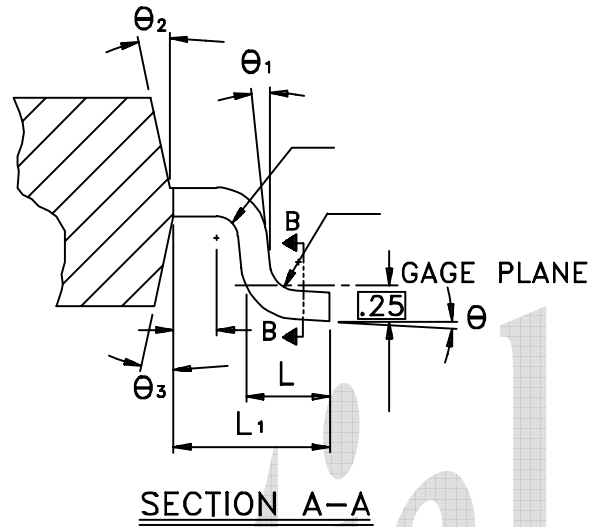
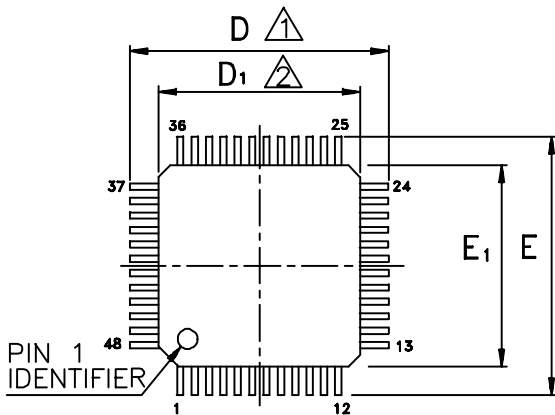
L/F MATERIAL : A194 FH(PFP)

APPR.	Holman Chen	DWG NO.	CE064-SW1
ENG.	C.Y.Horng	REV NO.	C
QM.	S.T.Liao	PRODUCT CODE	CE0641A
CHK.	Y.Y.Lai	DATE	06/18/'02
DWG.	R.K.Wang	SHT No.	1/1

SILICONWARE PRECISION INDUSTRIES CO., LTD.

COPY CONTROLLED	REV NO	DESCRIPTION	DATE
	C	Add Exposed Pad Size & Support bar table	06/17/02

### 11.2. RTL8211CL 48-Pin LQFP Mechanical Dimensions



### 11.3. RTL8211CL 48-Pin LQFP Mechanical Dimensions Notes

Symbol	Dimension in Inches			Dimension in Millimeters		
	Min	Nom	Max	Min	Nom	Max
A	-	-	0.067	-	-	1.70
A1	0.000	0.004	0.008	0.00	0.1	0.20
A2	0.051	0.055	0.059	1.30	1.40	1.50
b	0.006	0.009	0.011	15	0.22	0.29
b1	0.006	0.008	0.010	0.15	0.20	0.25
c1	0.004	-	0.006	0.09	-	0.16
D	0.354 BSC			9.00 BSC		
D1	0.276 BSC			7.00 BSC		
E	0.354 BSC			9.00 BSC		
E1	0.276 BSC			7.00 BSC		
e	0.020 BSC			0.50 BSC		
L	0.016	0.024	0.031	0.40	0.60	0.80
L1	0.039 REF			1.00 REF		
θ	0°	3.5°	9°	0°	3.5°	9°
θ1	0°	-	-	0°	-	-
θ2	12° TYP			12° TYP		
θ3	12° TYP			12° TYP		

**Notes:**

- To be determined at seating plane -c-
- Dimensions D1 and E1 do not include mold protrusion. D1 and E1 are maximum plastic body size dimensions including mold mismatch.
- Dimension b does not include dambar protrusion. Dambar cannot be located on the lower radius of the foot.
- Exact shape of each corner is optional.
- These dimensions apply to the flat section of the lead between 0.10 mm and 0.25 mm from the lead tip.
- A1 is defined as the distance from the seating plane to the lowest point of the package body.
- Controlling dimension: millimeter.
- Reference document: JEDEC MS-026, BBC

TITLE: 48LD LQFP (7x7x1.4mm)			
PACKAGE OUTLINE DRAWING, FOOTPRINT 2.0mm			
LEADFRAME MATERIAL:			
APPROVE		DOC. NO.	
		VERSION	1
		PAGE	OF
CHECK		DWG NO.	SS048 - P1
		DATE	
REALTEK SEMICONDUCTOR CORP.			

## 12. Ordering Information

**Table 48. Ordering Information**

Part Number	Package	Status
RTL8211C-GR	64-Pin QFN with Green Package	Production
RTL8211CL-GR	48-Pin LQFP with Green Package	Production

*Note: See page 3 (RTL8211C-GR) and page 4 (RTL8211CL-GR) for package identification.*

Confidential

---

**Realtek Semiconductor Corp.****Headquarters**

No. 2, Innovation Road II

Hsinchu Science Park, Hsinchu 300, Taiwan

Tel.: +886-3-578-0211 Fax: +886-3-577-6047

[www.realtek.com](http://www.realtek.com)