

USC 系列  
SERIES

基板自立型85°C标准品  
85°C Standard, Snap-in Terminal Type

◆ 特 长 / FEATURES

- 85°C、3000小时品。  
Load Life : 85°C 3000 hours.
- RoHS指令对应品。  
RoHS compliance.



◆ 规格表 / SPECIFICATIONS

| 项 目 Items  | 特 性 Characteristics   |  |                          |         |         |         |         |                  |         |         |               |         |                  |               |       |      |      |      |      |      |      |      |      |      |      |  |
|--|---|--|--------------------------|---------|---------|---------|---------|------------------|---------|---------|---------------|---------|------------------|---------------|-------|------|------|------|------|------|------|------|------|------|------|--|
| 工作温度范围<br>Category Temperature Range                                   | -40~+85°C   | -25~+85°C  |                          |         |         |         |         |                  |         |         |               |         |                  |               |       |      |      |      |      |      |      |      |      |      |      |  |
| 额定电压范围<br>Rated Voltage Range  | 10~250V.DC  | 315~450V.DC  |                          |         |         |         |         |                  |         |         |               |         |                  |               |       |      |      |      |      |      |      |      |      |      |      |  |
| 静电容量允许差<br>Capacitance Tolerance                                       | ±20% (20°C, 120Hz)  |  |                          |         |         |         |         |                  |         |         |               |         |                  |               |       |      |      |      |      |      |      |      |      |      |      |  |
| 漏 电 流<br>Leakage Current(MAX)  | $I=3\sqrt{CV}$ (施加额定电压5分钟后)<br>$I=3\sqrt{CV}$ (After 5 minutes application of rated voltage)<br>I=漏电流 (µA)      C=静电容量 (µF)      V=额定电压 (V)<br>Leakage Current      Capacitance      Rated Voltage  |  |                          |         |         |         |         |                  |         |         |               |         |                  |               |       |      |      |      |      |      |      |      |      |      |      |  |
| 损失角正切值 (tan δ)<br>Dissipation Factor(MAX)                              | <table border="1"> <tr> <td>额定电压(V)<br/>Rated Voltage</td> <td>10</td><td>16</td><td>25</td><td>35</td><td>50</td><td>63</td><td>80</td><td>100</td><td>160~400</td><td>420~450</td> <td>(20°C, 120Hz)</td> </tr> <tr> <td>tan δ</td> <td>0.55</td><td>0.50</td><td>0.45</td><td>0.40</td><td>0.35</td><td>0.30</td><td>0.25</td><td>0.20</td><td>0.15</td><td>0.25</td> <td></td> </tr> </table> |  | 额定电压(V)<br>Rated Voltage | 10      | 16      | 25      | 35      | 50               | 63      | 80      | 100           | 160~400 | 420~450          | (20°C, 120Hz) | tan δ | 0.55 | 0.50 | 0.45 | 0.40 | 0.35 | 0.30 | 0.25 | 0.20 | 0.15 | 0.25 |  |
| 额定电压(V)<br>Rated Voltage   | 10  | 16   | 25                       | 35      | 50      | 63      | 80      | 100              | 160~400 | 420~450 | (20°C, 120Hz) |         |                  |               |       |      |      |      |      |      |      |      |      |      |      |  |
| tan δ  | 0.55  | 0.50   | 0.45                     | 0.40    | 0.35    | 0.30    | 0.25    | 0.20             | 0.15    | 0.25    |               |         |                  |               |       |      |      |      |      |      |      |      |      |      |      |  |
| 耐 久 性<br>Endurance   | 在85°C环境中，不超过额定电压的范围内叠加额定纹波电流，连续加载3000小时后，满足以下各项要求。<br>After applying rated voltage with rated ripple current for 3000 hours at 85°C, the capacitors shall meet the following requirements.  |  |                          |         |         |         |         |                  |         |         |               |         |                  |               |       |      |      |      |      |      |      |      |      |      |      |  |
|  | 静电容量变化率<br>Capacitance Change   | 初期值的±20%以内<br>Within ±20% of the initial value.          |                          |         |         |         |         |                  |         |         |               |         |                  |               |       |      |      |      |      |      |      |      |      |      |      |  |
|  | 损 失 角 正 切 值<br>Dissipation Factor   | 规格值的200%以下<br>Not more than 200% of the specified value. |                          |         |         |         |         |                  |         |         |               |         |                  |               |       |      |      |      |      |      |      |      |      |      |      |  |
|  | 漏 电 流<br>Leakage Current  | 规格值以下<br>Not more than the specified value.              |                          |         |         |         |         |                  |         |         |               |         |                  |               |       |      |      |      |      |      |      |      |      |      |      |  |
| 低 温 特 性<br>Low Temperature Stability<br>(阻抗比)<br>Impedance Ratio (MAX) | <table border="1"> <tr> <td>额定电压(V)<br/>Rated Voltage</td> <td>10~250</td><td>315~400</td><td>420~450</td> <td>(120Hz)</td> </tr> <tr> <td>Z(-25°C)/Z(20°C)</td> <td>3</td><td>8</td><td>12</td> <td></td> </tr> <tr> <td>Z(-40°C)/Z(20°C)</td> <td>12</td><td>-</td><td>-</td> <td></td> </tr> </table>  |  | 额定电压(V)<br>Rated Voltage | 10~250  | 315~400 | 420~450 | (120Hz) | Z(-25°C)/Z(20°C) | 3       | 8       | 12            |         | Z(-40°C)/Z(20°C) | 12            | -     | -    |      |      |      |      |      |      |      |      |      |  |
| 额定电压(V)<br>Rated Voltage   | 10~250  | 315~400  | 420~450                  | (120Hz) |         |         |         |                  |         |         |               |         |                  |               |       |      |      |      |      |      |      |      |      |      |      |  |
| Z(-25°C)/Z(20°C)   | 3   | 8  | 12                       |         |         |         |         |                  |         |         |               |         |                  |               |       |      |      |      |      |      |      |      |      |      |      |  |
| Z(-40°C)/Z(20°C)   | 12  | -  | -                        |         |         |         |         |                  |         |         |               |         |                  |               |       |      |      |      |      |      |      |      |      |      |      |  |

◆ 纹波电流修正系数 / MULTIPLIER FOR RIPPLE CURRENT

| 频率 (Hz)<br>Frequency | 60 (50) | 120  | 500  | 1k   | 10k ≤ |
|----------------------|---------|------|------|------|-------|
| 10~100WV             | 0.90    | 1.00 | 1.05 | 1.10 | 1.15  |
| 160~250WV            | 0.80    | 1.00 | 1.20 | 1.30 | 1.50  |
| 315~450WV            | 0.80    | 1.00 | 1.20 | 1.25 | 1.40  |

◆ 副记号 / OPTION

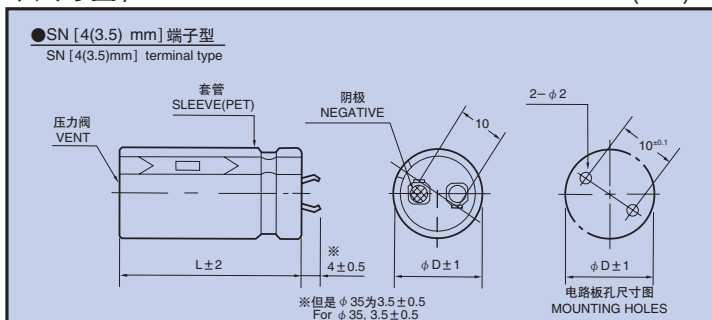
| 副记号 Code                               | 记号 Code |
|--|---------|
| PET套管, 无底板<br>PET Sleeve without plate | EFC     |

◆ 产品型号体系 / PART NUMBER

|                       |                |                     |                                  |               |                       |                   |
|-----------------------|----------------|---------------------|----------------------------------|---------------|-----------------------|-------------------|
| □□□                   | USC            | □□□□□               | M                                | □□□           | SN                    | D×L               |
| 额定电压<br>Rated Voltage | 系列名称<br>Series | 静电容量<br>Capacitance | 静电容量允许差<br>Capacitance Tolerance | 副记号<br>Option | 端子记号<br>Terminal Code | 铝壳尺寸<br>Case Size |

◆ 尺寸图 / DIMENSIONS

(mm)





# 大型铝电解电容器

LARGE CAN TYPE ALUMINUM ELECTROLYTIC CAPACITORS

USC

## ◆标准品一览表/STANDARD SIZE

| Cap<br>( $\mu$ F) | V.DC<br>$\phi$ D | 10          |             |             |             |             | 16          |             |             |             |             |
|-------------------|------------------|-------------|-------------|-------------|-------------|-------------|-------------|-------------|-------------|-------------|-------------|
|                   |                  | $\phi$ 20   | $\phi$ 22   | $\phi$ 25   | $\phi$ 30   | $\phi$ 35   | $\phi$ 20   | $\phi$ 22   | $\phi$ 25   | $\phi$ 30   | $\phi$ 35   |
| 8200              |                  |             |             |             |             |             | 20×25; 2.56 |             |             |             |             |
| 10000             |                  | 20×25; 2.22 |             |             |             |             | 20×30; 2.85 | 22×25; 2.85 |             |             |             |
| 12000             |                  | 20×30; 2.44 | 22×25; 2.41 |             |             |             | 20×35; 3.20 | 22×30; 3.20 |             |             |             |
| 15000             |                  | 20×35; 2.90 | 22×30; 2.88 | 25×25; 2.88 |             |             | 20×40; 3.70 | 22×35; 3.70 | 25×25; 3.70 |             |             |
| 18000             |                  | 20×40; 3.31 | 22×35; 3.22 | 25×30; 3.08 |             |             |             | 22×40; 3.98 | 25×30; 3.98 |             |             |
| 22000             |                  |             | 22×40; 3.79 | 25×30; 3.66 | 30×25; 3.58 |             |             | 22×45; 4.52 | 25×35; 4.52 | 30×25; 4.52 |             |
| 27000             |                  |             | 22×45; 4.04 | 25×35; 4.04 | 30×30; 3.99 |             |             | 22×50; 4.98 | 25×40; 4.98 | 30×30; 4.98 |             |
| 33000             |                  |             | 22×50; 4.58 | 25×40; 4.56 | 30×30; 4.58 |             |             |             | 25×45; 5.49 | 30×35; 5.49 | 35×30; 5.49 |
| 39000             |                  |             |             | 25×45; 5.29 | 30×35; 5.21 | 35×30; 5.05 |             |             | 25×50; 6.11 | 30×40; 6.11 | 35×35; 6.11 |
| 47000             |                  |             |             | 25×50; 5.78 | 30×40; 5.78 | 35×35; 5.55 |             |             |             | 30×45; 6.80 | 35×35; 6.80 |
| 56000             |                  |             |             |             | 30×45; 6.59 | 35×35; 6.40 |             |             |             | 30×50; 7.62 | 35×40; 7.62 |
| 68000             |                  |             |             |             | 30×50; 7.50 | 35×40; 7.48 |             |             |             |             | 35×45; 8.45 |
| 82000             |                  |             |             |             | 35×50; 8.50 |             |             |             |             |             | 35×50; 9.14 |

| Cap<br>( $\mu$ F) | V.DC<br>$\phi$ D | 25          |             |             |             |             | 35          |             |             |             |             |
|-------------------|------------------|-------------|-------------|-------------|-------------|-------------|-------------|-------------|-------------|-------------|-------------|
|                   |                  | $\phi$ 20   | $\phi$ 22   | $\phi$ 25   | $\phi$ 30   | $\phi$ 35   | $\phi$ 20   | $\phi$ 22   | $\phi$ 25   | $\phi$ 30   | $\phi$ 35   |
| 3300              |                  |             |             |             |             |             | 20×25; 2.14 |             |             |             |             |
| 3900              |                  |             |             |             |             |             | 20×30; 2.28 |             |             |             |             |
| 4700              |                  |             |             |             |             |             | 20×35; 2.46 | 22×25; 2.46 |             |             |             |
| 5600              |                  | 20×25; 2.33 |             |             |             |             | 20×40; 2.79 | 22×30; 2.79 | 25×25; 2.79 |             |             |
| 6800              |                  | 20×30; 2.56 | 22×25; 2.56 |             |             |             |             | 22×35; 2.89 | 25×30; 2.89 |             |             |
| 8200              |                  | 20×35; 2.91 | 22×30; 2.91 |             |             |             |             | 22×40; 3.47 | 25×30; 3.47 | 30×25; 3.47 |             |
| 10000             |                  | 20×40; 3.18 | 22×35; 3.18 | 25×25; 3.18 |             |             |             | 22×45; 3.59 | 25×35; 3.59 | 30×30; 3.59 |             |
| 12000             |                  |             | 22×40; 3.53 | 25×30; 3.53 |             |             |             | 22×50; 4.51 | 25×40; 4.51 | 30×30; 4.51 |             |
| 15000             |                  |             | 22×45; 4.08 | 25×35; 4.08 | 30×25; 4.08 |             |             |             | 25×45; 4.80 | 30×35; 4.80 | 35×30; 4.80 |
| 18000             |                  |             | 22×50; 4.68 | 25×40; 4.68 | 30×30; 4.68 |             |             |             |             | 30×40; 5.70 | 35×35; 5.70 |
| 22000             |                  |             |             | 25×45; 5.19 | 30×35; 5.19 | 35×30; 5.19 |             |             |             | 30×45; 6.38 | 35×40; 6.38 |
| 27000             |                  |             |             | 25×50; 6.02 | 30×40; 6.02 | 35×35; 6.02 |             |             |             |             | 35×45; 6.90 |
| 33000             |                  |             |             |             | 30×45; 6.75 | 35×40; 6.75 |             |             |             |             | 35×50; 7.49 |
| 39000             |                  |             |             |             | 30×50; 7.56 | 35×45; 7.56 |             |             |             |             |             |
| 47000             |                  |             |             |             | 35×50; 8.30 |             |             |             |             |             |             |

| Cap<br>( $\mu$ F) | V.DC<br>$\phi$ D | 50          |             |             |             |             | 63          |             |             |             |             |
|-------------------|------------------|-------------|-------------|-------------|-------------|-------------|-------------|-------------|-------------|-------------|-------------|
|                   |                  | $\phi$ 20   | $\phi$ 22   | $\phi$ 25   | $\phi$ 30   | $\phi$ 35   | $\phi$ 20   | $\phi$ 22   | $\phi$ 25   | $\phi$ 30   | $\phi$ 35   |
| 1500              |                  |             |             |             |             |             | 20×25; 1.69 |             |             |             |             |
| 1800              |                  |             |             |             |             |             | 20×30; 2.04 | 22×25; 2.04 |             |             |             |
| 2200              |                  | 20×25; 2.07 |             |             |             |             | 20×35; 2.40 | 22×30; 2.40 |             |             |             |
| 2700              |                  | 20×30; 2.21 | 22×25; 2.21 |             |             |             | 20×40; 2.52 | 22×35; 2.52 | 25×25; 2.52 |             |             |
| 3300              |                  | 20×35; 2.41 | 22×30; 2.41 |             |             |             |             | 22×40; 2.69 | 25×30; 2.69 |             |             |
| 3900              |                  | 20×40; 2.72 | 22×30; 2.72 | 25×25; 2.72 |             |             |             | 22×45; 3.10 | 25×35; 3.10 | 30×25; 3.10 |             |
| 4700              |                  |             | 22×35; 3.01 | 25×30; 3.01 |             |             |             | 22×50; 3.49 | 25×40; 3.49 | 30×30; 3.49 |             |
| 5600              |                  |             | 22×40; 3.43 | 25×35; 3.43 | 30×25; 3.43 |             |             |             | 25×45; 3.81 | 30×35; 3.81 |             |
| 6800              |                  |             | 22×45; 3.94 | 25×35; 3.94 | 30×30; 3.94 |             |             |             | 25×50; 4.41 | 30×40; 4.41 | 35×30; 4.41 |
| 8200              |                  |             |             | 25×40; 4.37 | 30×35; 4.37 |             |             |             |             | 30×45; 4.90 | 35×35; 4.90 |
| 10000             |                  |             |             | 25×50; 5.02 | 30×40; 5.02 | 35×30; 5.02 |             |             |             | 30×50; 5.49 | 35×40; 5.49 |
| 12000             |                  |             |             |             | 30×45; 5.60 | 35×35; 5.60 |             |             |             |             | 35×45; 6.30 |
| 15000             |                  |             |             |             | 30×50; 6.44 | 35×40; 6.44 |             |             |             |             |             |
| 18000             |                  |             |             |             | 35×45; 6.71 |             |             |             |             |             |             |

| Cap<br>( $\mu$ F) | V.DC<br>$\phi$ D | 80          |             |             |             |             | 100         |             |             |             |             |
|-------------------|------------------|-------------|-------------|-------------|-------------|-------------|-------------|-------------|-------------|-------------|-------------|
|                   |                  | $\phi$ 20   | $\phi$ 22   | $\phi$ 25   | $\phi$ 30   | $\phi$ 35   | $\phi$ 20   | $\phi$ 22   | $\phi$ 25   | $\phi$ 30   | $\phi$ 35   |
| 680               |                  |             |             |             |             |             | 20×25; 1.66 |             |             |             |             |
| 820               |                  |             |             |             |             |             | 20×30; 1.86 | 22×25; 1.86 |             |             |             |
| 1000              |                  | 20×25; 1.56 |             |             |             |             | 20×30; 2.02 | 22×30; 2.02 |             |             |             |
| 1200              |                  | 20×30; 1.80 | 22×25; 1.80 |             |             |             | 20×35; 2.12 | 22×30; 2.12 | 25×25; 2.12 |             |             |
| 1500              |                  | 20×30; 2.10 | 22×30; 2.10 |             |             |             | 20×40; 2.45 | 22×35; 2.45 | 25×30; 2.45 |             |             |
| 1800              |                  | 20×35; 2.30 | 22×30; 2.30 | 25×25; 2.30 |             |             |             | 22×40; 2.77 | 25×30; 2.77 | 30×25; 2.77 |             |
| 2200              |                  | 20×40; 2.53 | 22×35; 2.53 | 25×30; 2.53 |             |             |             | 22×45; 3.12 | 25×35; 3.12 | 30×30; 3.12 |             |
| 2700              |                  |             | 22×40; 2.93 | 25×35; 2.93 | 30×25; 2.93 |             |             |             | 25×40; 3.61 | 30×30; 3.61 |             |
| 3300              |                  |             | 22×45; 3.25 | 25×35; 3.25 | 30×30; 3.25 |             |             |             | 25×50; 4.06 | 30×35; 4.06 | 35×30; 4.06 |
| 3900              |                  |             |             | 25×40; 3.62 | 30×35; 3.62 |             |             |             |             | 30×40; 4.60 | 35×35; 4.60 |
| 4700              |                  |             |             | 25×45; 4.28 | 30×40; 4.28 | 35×30; 4.28 |             |             |             | 30×45; 5.13 | 35×40; 5.13 |
| 5600              |                  |             |             |             | 30×45; 4.55 | 35×35; 4.55 |             |             |             |             | 35×45; 5.75 |
| 6800              |                  |             |             |             | 30×45; 5.83 | 35×40; 5.83 |             |             |             |             | 35×50; 6.01 |
| 8200              |                  |             |             |             |             | 35×45; 6.40 |             |             |             |             |             |
| 10000             |                  |             |             |             |             | 35×50; 7.03 |             |             |             |             |             |

↑ 纹波电流 Ripple Current (A r.m.s./120Hz, 85°C)  
铝壳尺寸 Case Size  $\phi$  D×L(mm)



# 大型铝电解电容器

LARGE CAN TYPE ALUMINUM ELECTROLYTIC CAPACITORS

USC

## ◆标准品一览表/STANDARD SIZE

| Cap<br>( $\mu$ F) | 160         |             |             |             |             | 180         |             |             |             |             |
|-------------------|-------------|-------------|-------------|-------------|-------------|-------------|-------------|-------------|-------------|-------------|
|                   | $\phi$ 20   | $\phi$ 22   | $\phi$ 25   | $\phi$ 30   | $\phi$ 35   | $\phi$ 20   | $\phi$ 22   | $\phi$ 25   | $\phi$ 30   | $\phi$ 35   |
| 270               | 20×25; 1.28 |             |             |             |             | 20×25; 1.29 |             |             |             |             |
| 330               | 20×25; 1.55 |             |             |             |             | 20×30; 1.77 | 22×25; 1.49 |             |             |             |
| 390               | 20×30; 1.63 | 22×25; 1.63 |             |             |             | 20×30; 1.84 | 22×25; 1.84 |             |             |             |
| 470               | 20×30; 1.90 | 22×30; 1.86 | 25×25; 1.86 |             |             | 20×35; 1.91 | 22×30; 1.91 | 25×25; 2.08 |             |             |
| 560               | 20×35; 2.14 | 22×30; 2.15 | 25×25; 2.15 |             |             | 20×40; 2.15 | 22×35; 2.25 | 25×25; 2.25 |             |             |
| 680               | 20×40; 2.35 | 22×35; 2.35 | 25×30; 2.33 | 30×25; 2.33 |             |             | 22×35; 2.48 | 25×30; 2.50 | 30×25; 2.46 |             |
| 820               |             | 22×40; 2.68 | 25×30; 2.65 | 30×25; 2.64 |             |             | 22×40; 2.86 | 25×35; 2.75 | 30×25; 2.69 |             |
| 1000              |             | 22×45; 3.02 | 25×35; 3.00 | 30×30; 2.96 |             |             | 22×50; 3.10 | 25×40; 3.06 | 30×30; 3.10 |             |
| 1200              |             |             | 25×40; 3.43 | 30×30; 3.41 | 35×30; 3.40 |             |             | 25×45; 3.63 | 30×35; 3.55 | 35×30; 3.49 |
| 1500              |             |             | 25×50; 3.96 | 30×35; 3.96 | 35×30; 3.94 |             |             |             | 30×40; 4.10 | 35×35; 4.02 |
| 1800              |             |             |             | 30×40; 4.31 | 35×35; 4.28 |             |             |             | 30×45; 4.55 | 35×35; 4.54 |
| 2200              |             |             |             | 30×50; 4.96 | 35×40; 4.96 |             |             |             |             | 35×40; 4.83 |
| 2700              |             |             |             |             | 35×45; 5.57 |             |             |             |             | 35×50; 5.30 |

| Cap<br>( $\mu$ F) | 200         |             |             |             |             | 220         |             |             |             |             |
|-------------------|-------------|-------------|-------------|-------------|-------------|-------------|-------------|-------------|-------------|-------------|
|                   | $\phi$ 20   | $\phi$ 22   | $\phi$ 25   | $\phi$ 30   | $\phi$ 35   | $\phi$ 20   | $\phi$ 22   | $\phi$ 25   | $\phi$ 30   | $\phi$ 35   |
| 220               | 20×25; 1.19 |             |             |             |             | 20×25; 1.23 |             |             |             |             |
| 270               | 20×25; 1.39 | 22×25; 1.37 |             |             |             | 20×30; 1.46 | 22×25; 1.42 |             |             |             |
| 330               | 20×30; 1.56 | 22×25; 1.51 |             |             |             | 20×35; 1.64 | 22×30; 1.59 |             |             |             |
| 390               | 20×35; 1.74 | 22×30; 1.73 | 25×25; 1.71 |             |             | 20×35; 1.79 | 22×30; 1.80 | 25×25; 1.75 |             |             |
| 470               | 20×35; 2.03 | 22×30; 1.97 | 25×25; 1.95 |             |             | 20×40; 2.12 | 22×35; 2.06 | 25×30; 2.08 |             |             |
| 560               | 20×40; 2.18 | 22×35; 2.18 | 25×30; 2.15 | 30×25; 2.15 |             |             | 22×40; 2.22 | 25×35; 2.38 | 30×25; 2.18 |             |
| 680               |             | 22×40; 2.48 | 25×30; 2.48 | 30×25; 2.48 |             |             | 22×45; 2.62 | 25×35; 2.56 | 30×30; 2.52 |             |
| 820               |             | 22×45; 2.81 | 25×35; 2.79 | 30×30; 2.75 |             |             |             | 25×45; 2.91 | 30×35; 2.84 | 35×30; 2.79 |
| 1000              |             | 22×50; 3.28 | 25×40; 3.28 | 30×35; 3.15 |             |             |             |             | 30×35; 3.36 | 35×30; 3.29 |
| 1200              |             |             | 25×45; 3.61 | 30×35; 3.61 | 35×30; 3.57 |             |             |             | 30×40; 3.72 | 35×35; 3.68 |
| 1500              |             |             |             | 30×45; 4.13 | 35×35; 4.06 |             |             |             | 30×50; 4.18 | 35×40; 4.10 |
| 1800              |             |             |             | 30×50; 4.60 | 35×40; 4.59 |             |             |             |             | 35×45; 4.52 |
| 2200              |             |             |             |             | 35×45; 5.25 |             |             |             |             |             |

| Cap<br>( $\mu$ F) | 250         |             |             |             |             | 315         |             |             |             |             |
|-------------------|-------------|-------------|-------------|-------------|-------------|-------------|-------------|-------------|-------------|-------------|
|                   | $\phi$ 20   | $\phi$ 22   | $\phi$ 25   | $\phi$ 30   | $\phi$ 35   | $\phi$ 20   | $\phi$ 22   | $\phi$ 25   | $\phi$ 30   | $\phi$ 35   |
| 150               |             |             |             |             |             | 20×30; 1.00 |             |             |             |             |
| 180               | 20×25; 1.20 |             |             |             |             | 20×35; 1.13 | 22×30; 1.29 | 25×25; 1.38 |             |             |
| 220               | 20×25; 1.26 | 22×25; 1.24 |             |             |             | 20×35; 1.29 | 22×30; 1.41 | 25×25; 1.47 |             |             |
| 270               | 20×30; 1.42 | 22×25; 1.50 |             |             |             |             | 22×35; 1.68 | 25×30; 1.70 |             |             |
| 330               | 20×35; 1.68 | 22×30; 1.66 | 25×25; 1.61 |             |             |             | 22×40; 1.91 | 25×35; 1.94 | 30×25; 1.98 |             |
| 390               | 20×40; 1.92 | 22×35; 1.88 | 25×30; 1.88 |             |             |             | 22×45; 2.07 | 25×40; 2.11 | 30×30; 2.15 |             |
| 470               |             | 22×35; 2.15 | 25×35; 2.15 | 30×25; 2.04 |             |             |             | 25×50; 2.31 | 30×35; 2.38 | 35×30; 2.36 |
| 560               |             | 22×40; 2.48 | 25×35; 2.35 | 30×25; 2.35 |             |             |             |             | 30×35; 2.63 | 35×30; 2.69 |
| 680               |             |             | 25×40; 2.67 | 30×30; 2.71 |             |             |             |             | 30×45; 2.80 | 35×35; 3.05 |
| 820               |             |             | 25×45; 3.01 | 30×35; 2.98 | 35×30; 2.96 |             |             |             | 30×50; 3.28 | 35×40; 3.45 |
| 1000              |             |             |             | 30×40; 3.56 | 35×35; 3.48 |             |             |             |             | 35×45; 3.57 |
| 1200              |             |             |             | 30×45; 3.99 | 35×35; 3.84 |             |             |             |             |             |
| 1500              |             |             |             |             | 35×40; 4.33 |             |             |             |             |             |
| 1800              |             |             |             |             | 35×50; 4.54 |             |             |             |             |             |

| Cap<br>( $\mu$ F) | 350         |             |             |             |             | 385         |             |             |             |             |
|-------------------|-------------|-------------|-------------|-------------|-------------|-------------|-------------|-------------|-------------|-------------|
|                   | $\phi$ 20   | $\phi$ 22   | $\phi$ 25   | $\phi$ 30   | $\phi$ 35   | $\phi$ 20   | $\phi$ 22   | $\phi$ 25   | $\phi$ 30   | $\phi$ 35   |
| 68                |             |             |             |             |             | 20×25; 0.68 |             |             |             |             |
| 82                |             |             |             |             |             | 20×30; 0.74 | 22×25; 0.76 |             |             |             |
| 100               |             |             |             |             |             | 20×30; 0.86 | 22×30; 0.89 |             |             |             |
| 120               | 20×30; 0.96 | 22×25; 1.04 |             |             |             | 20×35; 0.96 | 22×30; 0.98 | 25×25; 1.02 |             |             |
| 150               | 20×30; 1.10 | 22×30; 1.20 | 25×25; 1.22 |             |             | 20×35; 1.10 | 22×35; 1.12 | 25×30; 1.14 |             |             |
| 180               | 20×35; 1.24 | 22×30; 1.34 | 25×25; 1.37 |             |             | 20×40; 1.27 | 22×35; 1.27 | 25×30; 1.30 | 30×25; 1.37 |             |
| 220               |             | 22×35; 1.47 | 25×30; 1.53 | 30×25; 1.54 |             |             | 22×40; 1.42 | 25×35; 1.48 | 30×30; 1.49 |             |
| 270               |             | 22×40; 1.70 | 25×35; 1.73 | 30×25; 1.80 |             |             | 22×50; 1.60 | 25×40; 1.61 | 30×30; 1.64 |             |
| 330               |             | 22×45; 1.87 | 25×35; 1.97 | 30×30; 2.03 |             |             |             | 25×45; 1.80 | 30×35; 1.85 | 35×30; 1.87 |
| 390               |             |             | 25×40; 2.14 | 30×35; 2.23 | 35×30; 2.30 |             |             | 25×50; 2.04 | 30×40; 2.05 | 35×35; 2.07 |
| 470               |             |             | 25×50; 2.55 | 30×35; 2.53 | 35×30; 2.55 |             |             |             | 30×45; 2.26 | 35×35; 2.26 |
| 560               |             |             |             | 30×40; 2.73 | 35×35; 2.75 |             |             |             | 30×50; 2.57 | 35×40; 2.59 |
| 680               |             |             |             | 30×50; 3.15 | 35×40; 3.15 |             |             |             |             | 35×45; 2.80 |
| 820               |             |             |             |             | 35×45; 3.47 |             |             |             |             |             |
| 1000              |             |             |             |             | 35×50; 3.60 |             |             |             |             |             |

纹波电流 Ripple Current (A r.m.s./120Hz, 85°C)  
 铝壳尺寸 Case Size  $\phi$  D×L(mm)

**◆标准品一览表/STANDARD SIZE**

| V <sub>DC</sub><br>Cap<br>( $\mu$ F) | 400         |             |             |             |             | 420         |             |             |             |             |
|--------------------------------------|-------------|-------------|-------------|-------------|-------------|-------------|-------------|-------------|-------------|-------------|
|                                      | $\phi$ 20   | $\phi$ 22   | $\phi$ 25   | $\phi$ 30   | $\phi$ 35   | $\phi$ 20   | $\phi$ 22   | $\phi$ 25   | $\phi$ 30   | $\phi$ 35   |
| 68                                   | 20×25; 0.75 |             |             |             |             | 20×25; 0.70 |             |             |             |             |
| 82                                   | 20×30; 0.82 | 22×25; 0.84 |             |             |             | 20×30; 0.80 | 22×25; 0.85 |             |             |             |
| 100                                  | 20×30; 0.95 | 22×30; 0.99 |             |             |             | 20×35; 0.90 | 22×30; 0.97 | 25×25; 0.98 |             |             |
| 120                                  | 20×35; 1.07 | 22×30; 1.09 | 25×25; 1.13 |             |             | 20×35; 1.04 | 22×30; 1.07 | 25×25; 1.08 |             |             |
| 150                                  | 20×40; 1.22 | 22×35; 1.24 | 25×30; 1.27 |             |             | 20×40; 1.17 | 22×35; 1.21 | 25×30; 1.26 | 30×25; 1.30 |             |
| 180                                  |             | 22×40; 1.41 | 25×30; 1.44 | 30×25; 1.52 |             |             | 22×40; 1.33 | 25×35; 1.42 | 30×25; 1.48 |             |
| 220                                  |             | 22×45; 1.58 | 25×35; 1.64 | 30×30; 1.66 |             |             | 22×45; 1.55 | 25×35; 1.58 | 30×30; 1.65 |             |
| 270                                  |             |             | 25×40; 1.79 | 30×30; 1.82 |             |             |             | 25×40; 1.74 | 30×35; 1.90 | 35×30; 1.94 |
| 330                                  |             |             | 25×45; 2.00 | 30×35; 2.05 | 35×30; 2.05 |             |             | 25×50; 2.20 | 30×35; 1.98 | 35×35; 2.17 |
| 390                                  |             |             |             | 30×40; 2.26 | 35×35; 2.28 |             |             |             | 30×40; 2.22 | 35×35; 2.27 |
| 470                                  |             |             |             | 30×45; 2.51 | 35×40; 2.54 |             |             |             | 30×45; 2.50 | 35×40; 2.61 |
| 560                                  |             |             |             | 30×50; 2.85 | 35×40; 2.85 |             |             |             |             | 35×45; 2.95 |
| 680                                  |             |             |             |             | 35×50; 3.10 |             |             |             |             |             |

| V <sub>DC</sub><br>Cap<br>( $\mu$ F) | 450         |             |             |             |             |
|--------------------------------------|-------------|-------------|-------------|-------------|-------------|
|                                      | $\phi$ 20   | $\phi$ 22   | $\phi$ 25   | $\phi$ 30   | $\phi$ 35   |
| 56                                   | 20×25; 0.61 |             |             |             |             |
| 68                                   | 20×30; 0.70 | 22×25; 0.71 |             |             |             |
| 82                                   | 20×35; 0.80 | 22×25; 0.86 |             |             |             |
| 100                                  | 20×35; 0.88 | 22×30; 0.95 | 25×25; 0.97 |             |             |
| 120                                  | 20×40; 0.99 | 22×35; 1.07 | 25×30; 1.09 | 30×25; 1.12 |             |
| 150                                  |             | 22×40; 1.18 | 25×30; 1.25 | 30×25; 1.29 |             |
| 180                                  |             | 22×45; 1.32 | 25×35; 1.40 | 30×30; 1.45 |             |
| 220                                  |             |             | 25×40; 1.59 | 30×30; 1.64 | 35×30; 1.66 |
| 270                                  |             |             | 25×45; 1.73 | 30×35; 1.89 | 35×30; 1.90 |
| 330                                  |             |             | 25×50; 2.12 | 30×40; 2.12 | 35×35; 2.15 |
| 390                                  |             |             |             | 30×45; 2.35 | 35×40; 2.38 |
| 470                                  |             |             |             | 30×50; 2.65 | 35×45; 2.68 |
| 560                                  |             |             |             |             | 35×50; 2.88 |

↑ 纹波电流 Ripple Current (A r.m.s./120Hz, 85°C)  
 ↑ 铝壳尺寸 Case Size  $\phi$  D×L(mm)