
深圳市胜利新能电力电子有限公司

铝电解电容器

(VCGF5A2G222Y 400V2200uF Φ 51x105)

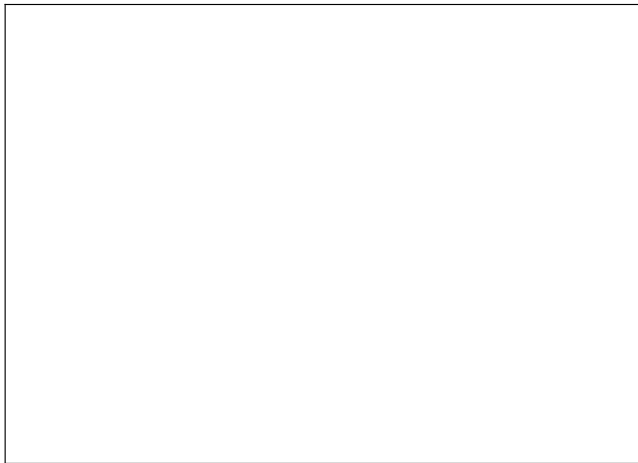
纳入规格书

拟制： 易秋平
日期： 2013-03-18

审核： 俞佳

批准： 韩最稳

受领印栏



注： 对此规格书确认后，在受领印栏注明确认印，返传一份与弊公司

1. 适用范围 Adapt Range 本产品规格书适用于深圳市胜利新能电力电子有限公司VCGH5A型电解电容器产品。

The product specification is adapted to VCGH5A series Aluminum Electrolytic Capacitors of Gatchy and VICTOR CAP (VTCO) Electronic Industrial Inc

2. 部品编号 Part Number System

VCGF5A 2G 222 Y C

系列 电压代号 额定容量代号 端子代码 直径代码

Series Rated V code Capacitance code Type of bracket code Case dia code

3. 电气特性 Electrical characteristics (表 1)

额定电压 Rated Voltage (V. D. C)	浪涌电压 Surge Voltage (V. D. C)	额定容量 Rated Capacitance (uF)	容量偏差 Capacitance Tolerance (%)	损耗角正切 Dissipation Factor (MAX)	漏电流 Leakage Current (mA , MAX) 5min	最大纹波电流 Maximum ripple current 120Hz 85°C
400	450	2200	-20~+20	0.20	5.0	6.9A
at 120Hz 20°C						
气候类别 Environmental Category: 40/085/56						

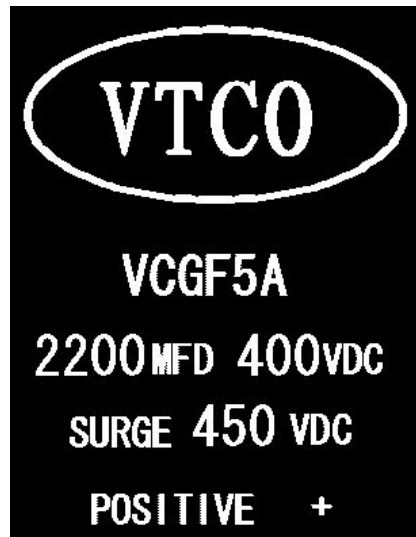
4 性能特性 Specifications

No.	项目 Item	特性 Characteristics
1	外观检查 Visual examination , marking (Non-Destructive)	外观: 无任何异常 Appearance: no remarkable abnormality
2	外形尺寸 Dimensions (Non-Destructive)	见外形图 See to dimensions
3	漏电流 Leakage current (Non-Destructive)	见表 1 See to table 1
4	容量 Capacitance (Non-Destructive)	见表 1 See to table 1
5	损耗角正切 Tangent of the loss angle (Non-Destructive)	见表 1 See to table 1
6	端子强度 Robustness of terminations	扭距 Torque: 3.0N.m(Max) 拉力 Tensile: 20N
7	振动 Vibration	频率范围 Frequency range: 10-55Hz 振幅: 0.75mm Total Amplitude: 0.75mm 条件: X.Y.Z方向各2小时 Direction and duration of vibration: 3 orthogonal directions mutually each for 2 hours Total 6 hours 静电容量测试时无接触不良, 断线及短路, 端子无机械损伤 Capacitance: During the test, measured value to be stabilized (when measured several times within 30 min before completion of test) Appearance: No remarkable abnormality 静电容量变化: 初始值的-20~+20%以内 Capacitance change: Within -20~+20% of the initial value

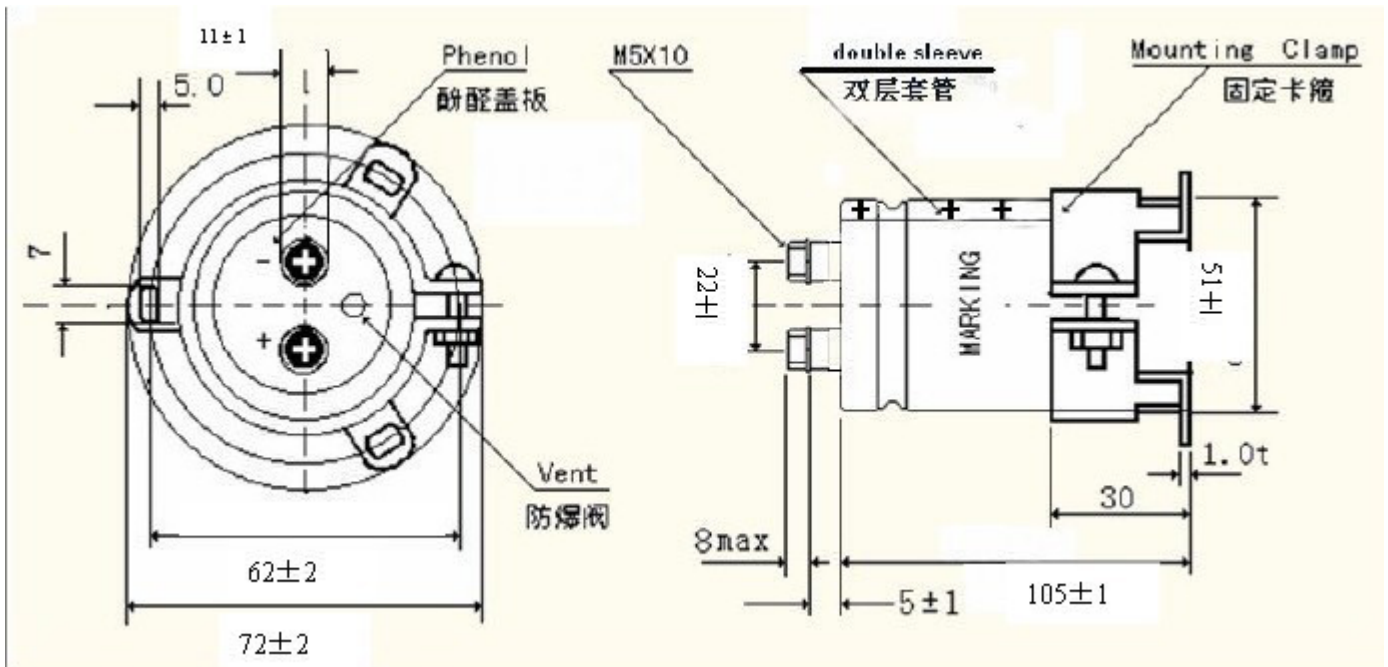
8	稳态湿热 Dump heat	<p>温度: 40±2℃ 湿度: 90-95%Rh 时间: 56 天 Test Temperature :40 ±2℃ Relative Hwmidity:90-95%Rh Test time: 56 天 试验后常温放置 1-2 小时 To expose in the atmospheric condition for 1 to 2 hours after completion of test 漏电流: 不超过规定值 Leakage current: Not more than the specified value 静电容量变化: 初始值的-20~+20%以内 Capacitance change: Within -20~+20%of the initial value 损耗角正切: 不超过规定值 Dissipation Factor: Not more than the specified value 绝缘电阻 (使用金属箔法): 大于 100MΩ Insulation Resistance (Using metal foil): ≥100MΩ</p>
9	耐久性 Endurance (85℃)	<p>时间 (Time): 2000h 电压: 额定电压 (叠加规定纹波电流) 试验后常温放置 16h 测定 Applied Voltage:maximum value of DC voltage overlapped by an allowable ripple current. The capacitors shall then be removed from the test chamber and stabilized at room temperature for 16 hrs. after. 漏电流: 不超过规定值 Leakage Current:Not more than the specified value 电容量变化: 初始值的-20~+20%以内 Capacitance change:within-20~+20% of the initial value 损耗角正切: 不超过规定值的 2.0 倍 Dissipation Factor:Not more than 200% of the specified value</p>
10	浪涌 Surge	<p>印加电压: 450VDC 温度: 85±3℃ Test Voltage Test Temperature 周期: 6±0.5min 30±5sec 充电 A period:6±0.5min(charging for 30±5sec) 充电电阻: 1000Ω 回数: 1000 times Series protective resistance The number of times 漏电流: 不超过规定值 Leakage Current:Not more than the specified value 电容量变化: 初始值的±20%以内 Capacitance change:within ±20% of the initial value 损耗角正切: 不超过规定值的 1.75 倍 Dissipation Factor:Not more than 175% of the specified value</p>
11	压力释放 Pressure relief	<p>电容器上印加 10A 逆向直流电, 防爆壳正常作动, 无金属片飞散, 起火, 爆炸。 The capacitor is shall be connected in inverse polarity, and applied DC current at 10A constant, The pressure relief device shall open in such a way as to avoid any danger of fire or explosion of capacitor elements (Terminal and metal foil etc.)or cover</p>
12	高温贮存 Storage at upper category temperature (85℃)	<p>时间 (Time): 500h 电压处理: 常温下电容器串联保护电阻 (1KΩ), 加额定电压 30 分钟, 印加后放电, 常温放置 16h Condition:Following this period the capacitors shall be removed from the test chamber and be allowed to stabilize at room temperature. Next they shall be connected to a series limiting resistor (1KΩ), with DC. Rated Voltage applied for 30 min. after which the capacitors shall be discharged. 漏电流: 不超过规定值 Leakage Current:Not more than the specified value 电容量变化: 初始值的±20%以内 Capacitance change:within ±20% of the initial value 损耗角正切: 不超过规定值的 1.75 倍</p>

13	绝缘耐压 insulation withstanding voltage	Dissipation Factor: Not more than 175% of the specified value 2000VAC 施加于短路的端子和固定卡箍之间, 1 分钟不破坏 A voltage of 2000VAC is applied for one minute between the terminals shorted each other and the mounting clamp on insulating sleeve covering the case, there shall not be damaged
----	--	--

5. 标识 Marking

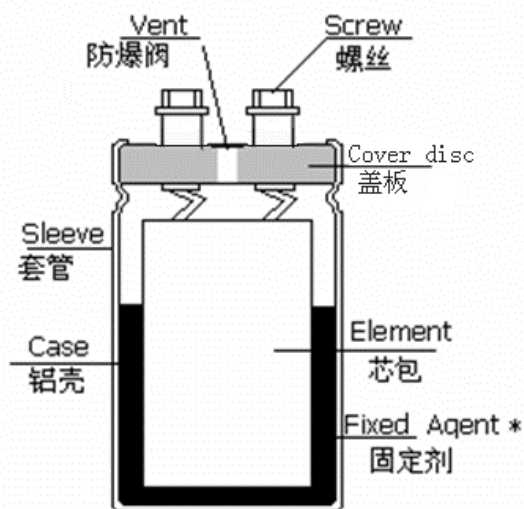


6. 外型图 Dimensions



7. 构造图及材料表 (Frame drawing and material table)

7-1 构造图(Frame drawing)



*:Fixed agent's height is about 1/2~2/3 of element's height

固定剂的高度约为芯包的 1/3~2/3

7-2 工艺芯包分解图 (Element drawing)

7-3 材料表 (Material table)

No	构成部件 Parts	材质 Material	厂家 Maker
1	铝壳 Case	铝 Aluminum	浙江龙发 ZHEJIANG LONGFA
2	套管 Sleeve	聚氯乙烯 Polyvinyl Chloride	MOODERN KOREA .
3	封口板 End seal board	塑料 Plastics	TOP
4	垫片 Bottom plate	聚氯乙烯 Polyvinyl Chloride	东莞桥口 DONGGUAN QIAOKOU
5	隔离纸 Separator	电解电容器纸 Electrolytic Capacitors Paper	KAN/NKK
6	引线条 Lead Tab	铝 Aluminum	FEILO
7	端子 Terminal	铝 Aluminum	TOP
8	正极箔 Anode Foil	铝 Aluminum	宜都东阳光化成箔厂 HEC
9	负极箔 Cathode Foil	铝 Aluminum	FEILO

10	电解液 Electrolyte	有机溶剂 Organic Solvent	新宙邦
----	--------------------	-------------------------	-----

8. 纹波电流系数 Multiplier for ripple current

8-1 频率系数 Frequency Coefficient

频率 (Hz) Frequency	50/60	120	300	1K	≥10K
系数 Coefficient	0.7	1.0	1.1	1.3	1.4

8-2 温度系数 Temperature Coefficient

温度 (°C) Temperature	+40	+60	+70	+85
系数 Coefficient	2.70	2.2	1.65	1.00

9. 包装 Packaging

9-1 Packaging Quantity

电容器尺 Φ 51*105 22pcs
Capacitor case code Φ 51*105 22pcs

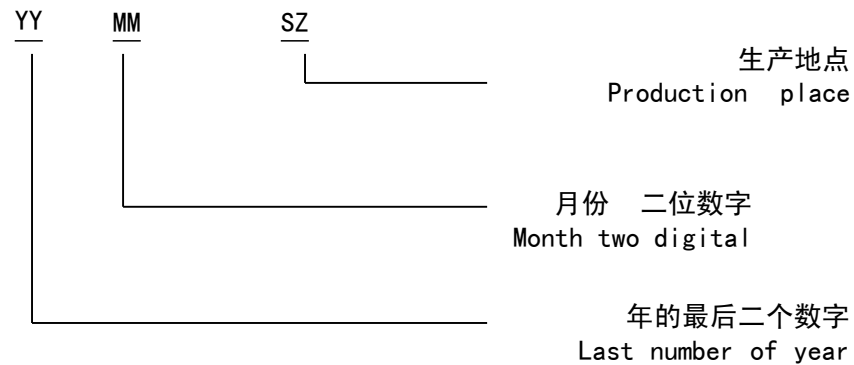
9-2 包装箱材质 Material of Packaging Box

瓦楞纸
Corrugated Cardboard

9-3 包装箱尺寸 Dimensions of Packaging Box

尺寸 Dimensions : 395*295*165

10. 生产日期的表示方法 Production date code



例 EX: 11 09 SZ
 2013 年 3 月份地点: 深圳
 Production date: produced in 03, 2011 Shenzhen