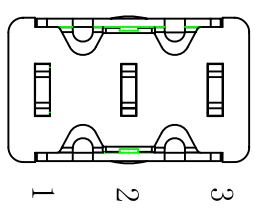
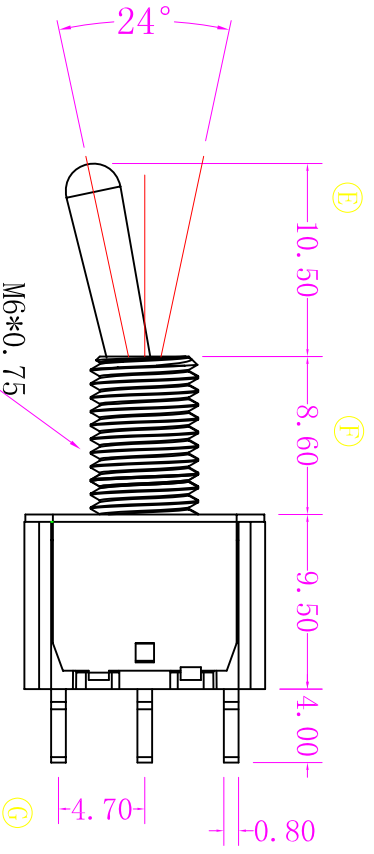
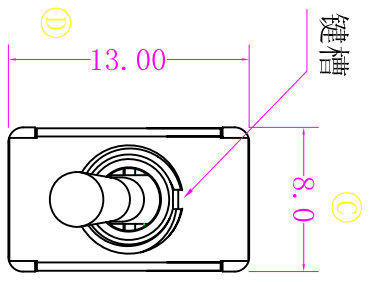
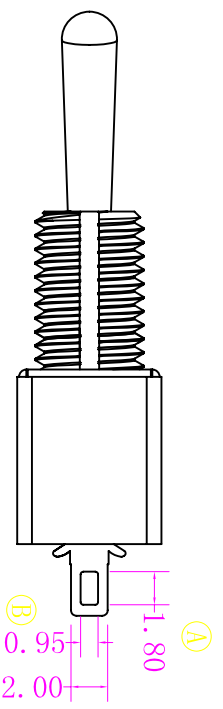


REV	DESCRIPTION	DESIGNER	DATE

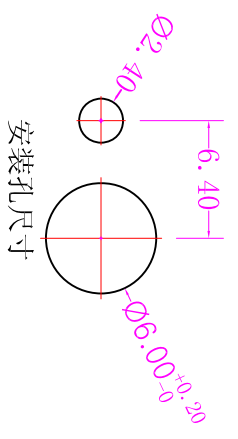
自由公差		公差
区分	类别	
0	<0.5	±0.10
0.50	<5	±0.15
5.0	<10	±0.20
10.0	<20	±0.30
20.0	<50	±0.40
未标注R角		R0.2
未标注角度公差		±1°



手柄位置及导通端子示意图

Model	POS. 1	POS. 2	POS. 3
	NO.		
102	ON	NONE	ON
SCHMATIC		NONE	

标注: ①-⑧为重点检测尺寸



NO	NAME	MATERIAL	QTY	FINISHING	NO	NAME	MATERIAL	QTY	FINISHING
1	ACTUATOR	H65	1	Nickel-Plated	7	Contact	H65	1	Silvering
2	BUSHING	H65	1	Nickel-Plated	8	Terminal	H65	3	Silvering
3	COVER	SUS	1	Natrual	9	Housing	PPA	1	RED
4	SPRING	CARBON STEEL	1	Black	10				
5	ROCK RID	SPCC	1	Nickel-Plated	11				
6	SLID	PA46	1	Black	12				

SCALE	1:1		UNTT: mm
CKD		DWN	黄泳何
APVD		DATE	2018-2-1
SPECIFICATION	YF-ENG-P-		
TITLE	TOGGLE SWITCH		
PART NO.	MT-0-102-A101-M200-RS		
MATERIAL NO.	SM00630ZNR		
源丰电子公司 Yuenfung Ec Company			