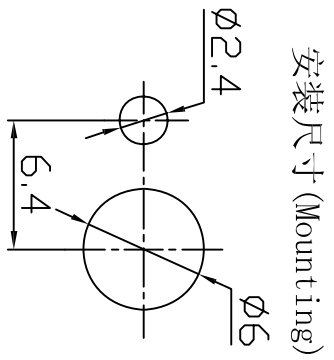
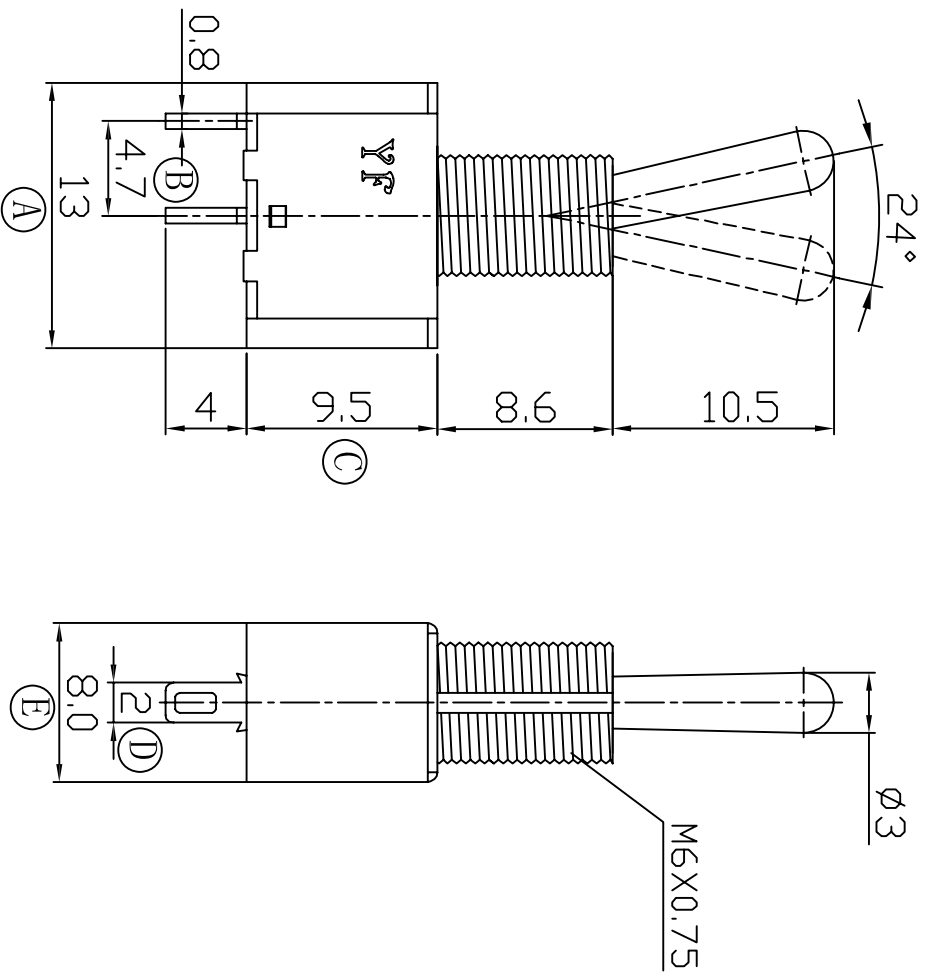
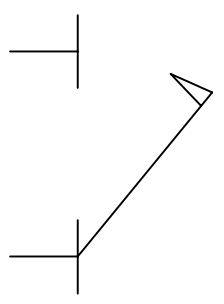


REV	DESCRIPTION	DESIGNER	DATE

自由公差	
类别	公差
区分	±0.10
0	<0.5
0.50	<5
5.0	<10
10.0	<20
20.0	<50
未标注取角	R0.2
未标注角度公差	±1°



电路图 (Circuitry)



ON-OFF

注: ①~⑤为重点检测尺寸

NO	NAME	MATERIAL	QTY	FINISHING	NO	NAME	MATERIAL	QTY	FINISHING

SCALE	1:1	UNIT	mm
APVD	DATE	2010.3.3	
CKD	雷艳平	DWN	徐耀飞
SPECIFICATION	YF-ENG-F-28385		
DESCRIPTION	TOGGLE SWITCH		
MODEL NO.	MFS-101-A1-M6-RS		
PART No.	SM00181ZNR		
源丰电子公司 Yuenfung Etc Company			