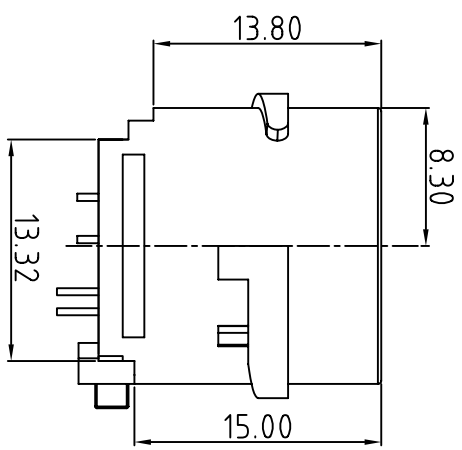
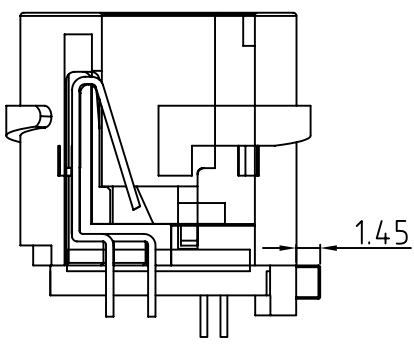
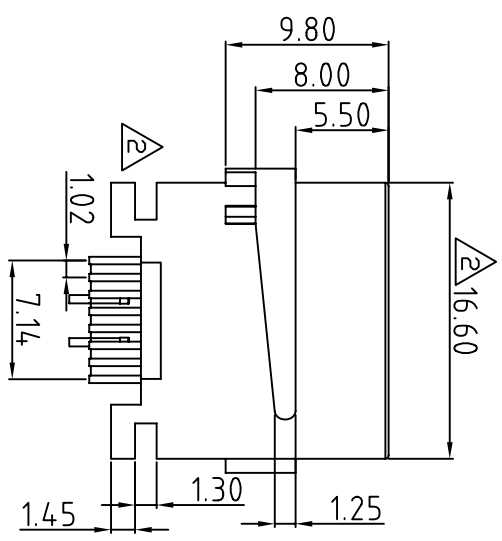
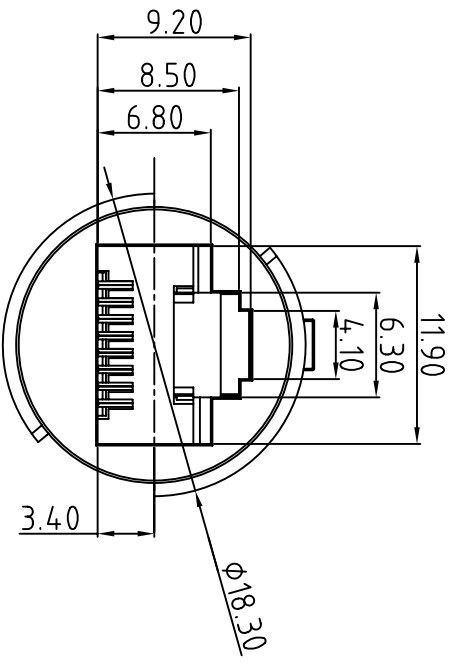


REV	ECN NO.	DATE
01	NEW	2014-10-21
02	增加绝缘 更改尺寸	2016-01-15



RoHS Compliant

**TIAN MU ELECTRONIC CO.,LTD**

RJ45 JACK (防水线专用母座)

TOLERANCES		DATE		PART NO.		SIZE	
mm	公差	日期	2015-06-03	料号	TM-FS-004		A4
.02	0.35	材质		品名			
.002	0.25	电镀		比例	1:1	UNIT	mm
.0002	0.15	电镀		设计	张旺新	UNIT	mm
ANGLES	± 1°	审核		比例	1:1	UNIT	mm
THIRD ANGLE PROJECTION		设计		比例	1:1	UNIT	mm

- NOTES
- MATERIAL
1. HOUSING MATERIAL : PBT UL94V-0.
  2. CONTACT MATERIAL : PHOSPHOR BRONZE  $\approx 0.46\text{mm}$ .
  3. PLATING : CONTACT GOLD PLATING fu "50u" OVER NICKEL.
- ELECTRICAL
1. VOLTAGE RATING : 125 VAC RMS.
  2. CURRENT RATING : 1.5 AMP.
  3. CONTACT RESISTANCE : 30 MILLI OHMS MAX.
  4. INSULATION RESISTANCE : 500 MEG OHMS MIN @ 500V DC .
  5. DIELECTRIC RESISTANCE : 1000V AC RMS 50Hz. 1MIN.