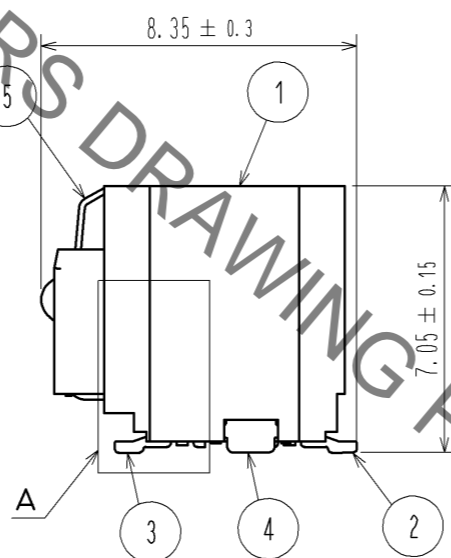
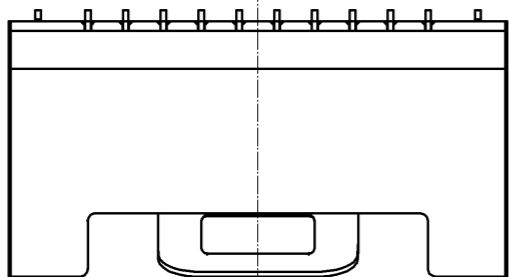
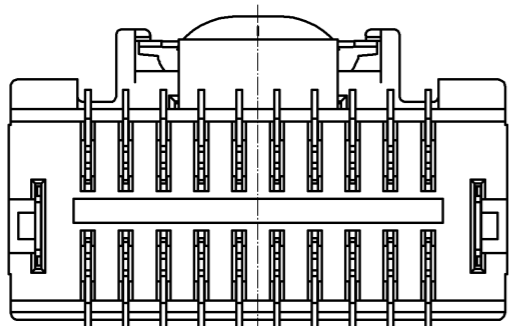
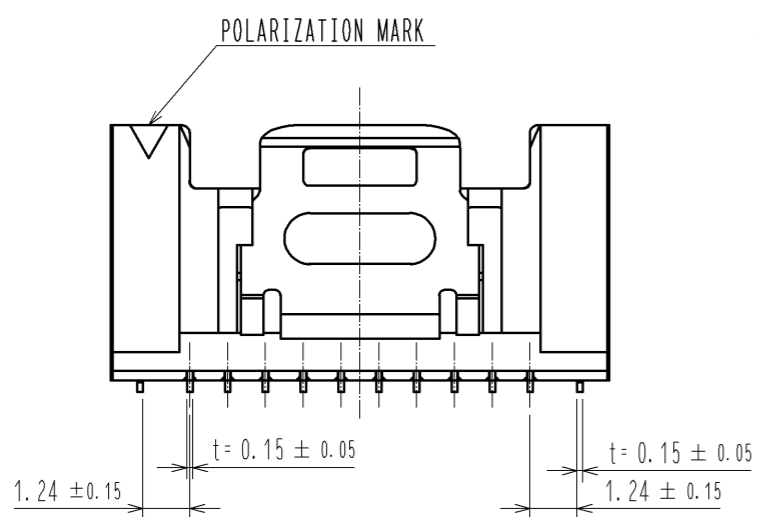
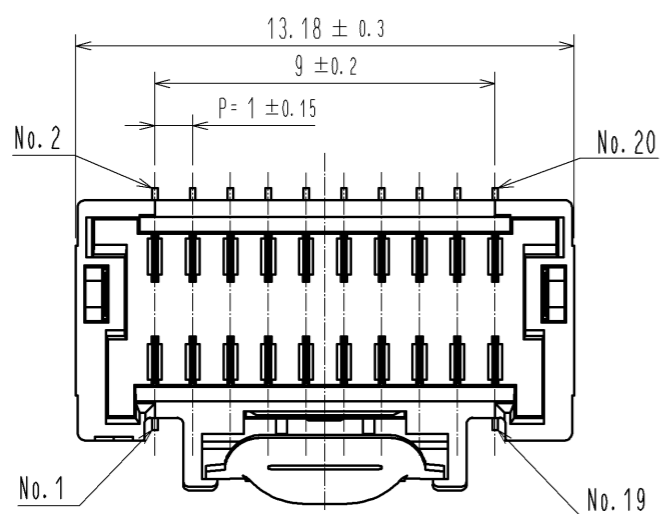
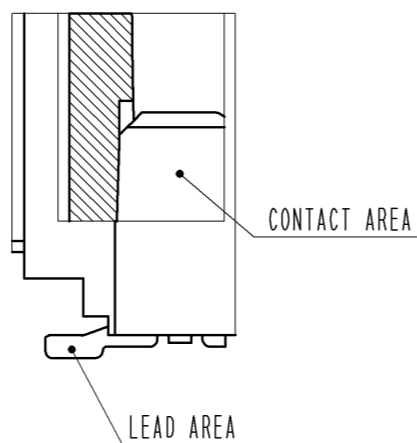


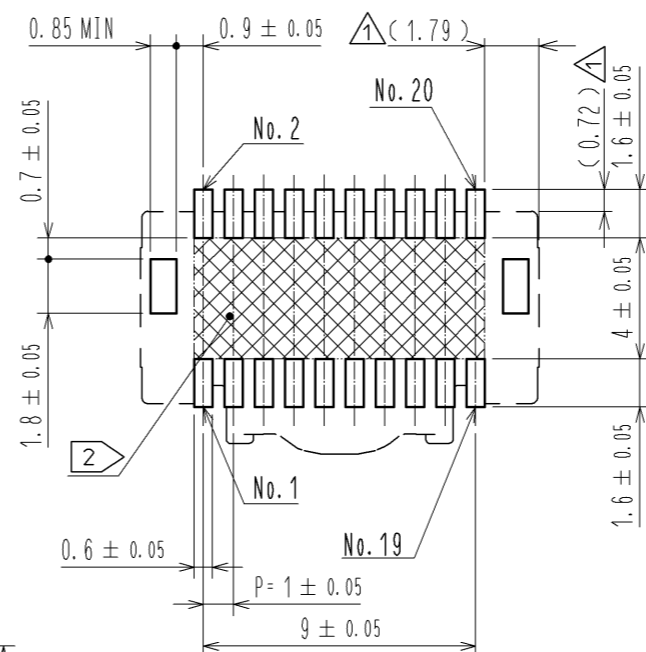
May.1.2019 Copyright 2019 HIROSE ELECTRIC CO., LTD. All Rights Reserved.
In case of consideration for using Automotive equipment / device which demand high reliability, kindly contact our sales window correspondents.



A (10 : 1)

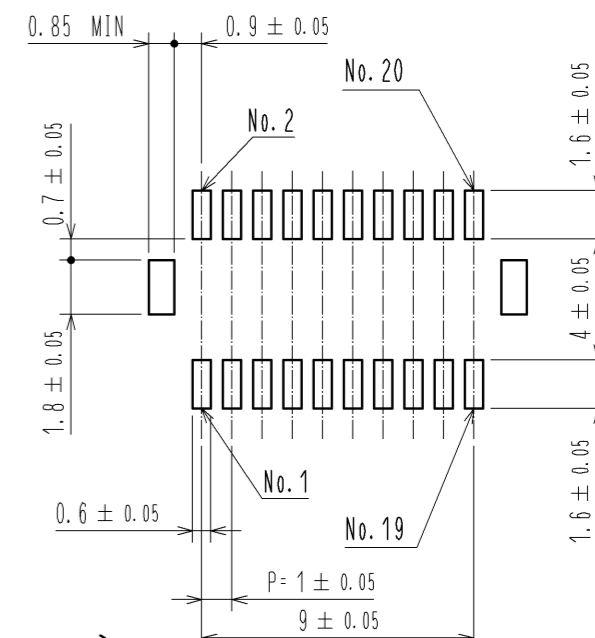


RECOMMENDED PCB LAYOUT
(MOUNTING SURFACE SIDE) (FREE)

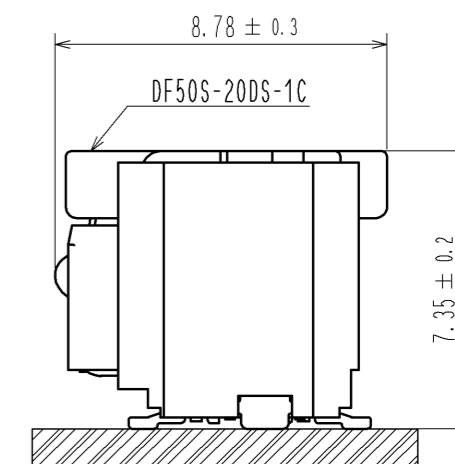
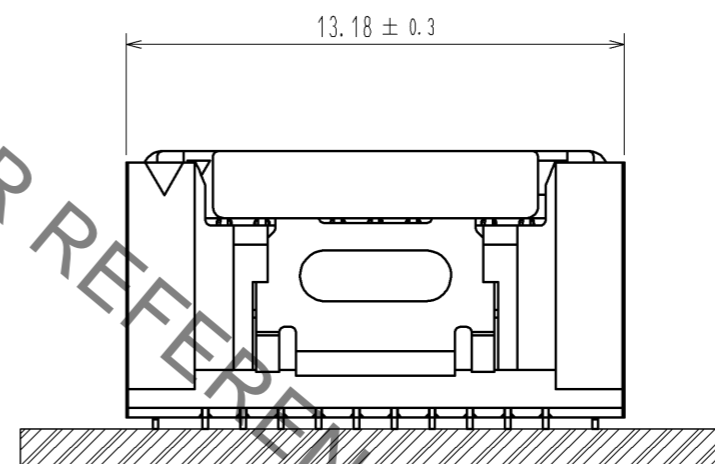


RECOMMENDED METAL MASK(FREE)

THICKNESS : 0.1mm



MATING FIGURE (5 : 1)

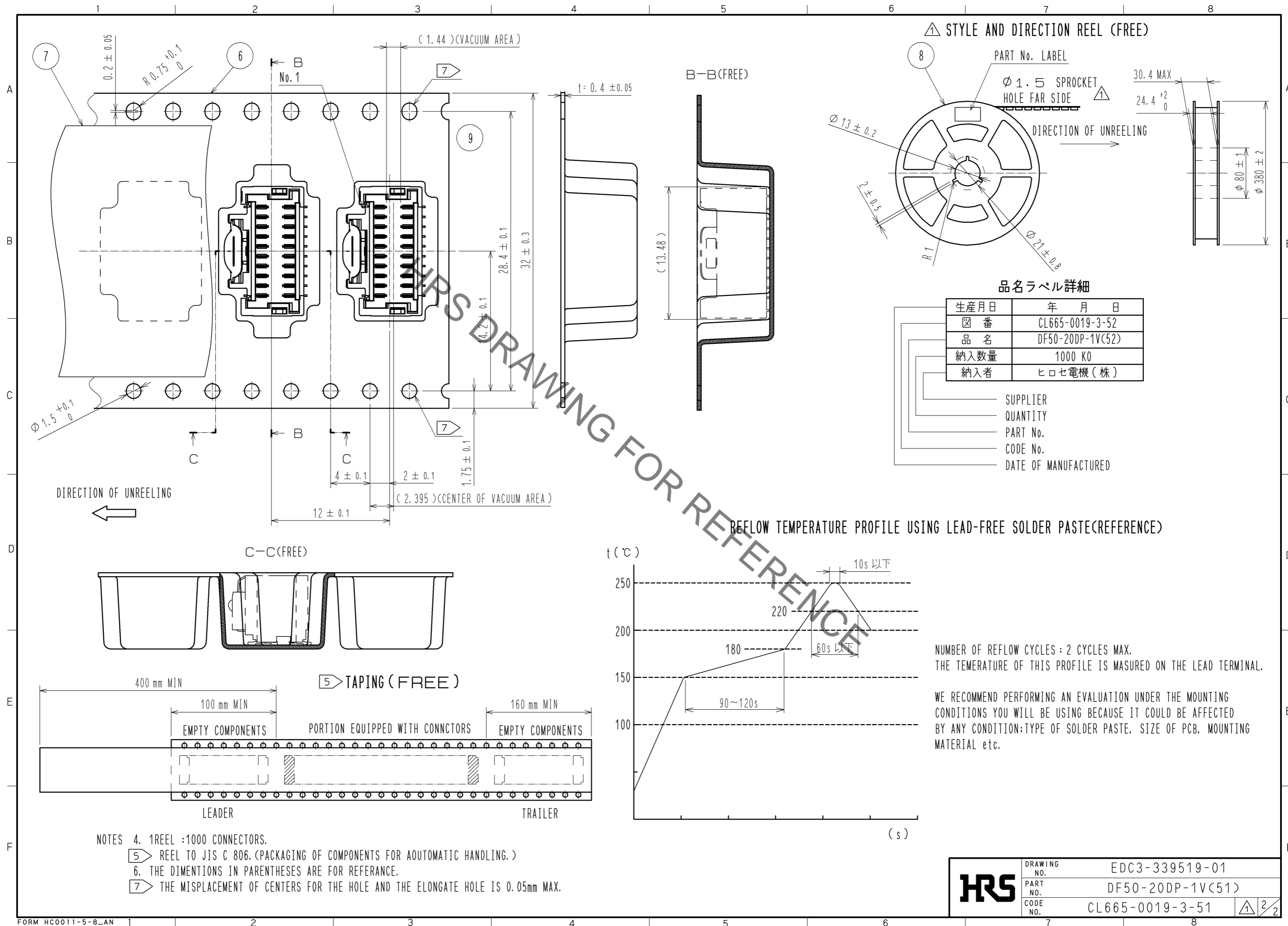


- NOTES 1. LEAD CO-PLANARITY SHALL BE 0.1 mm MAX.
2. AREA INDICATED MUST BE FREE OF CONDUCTIVE TRACES OR THE CONDUCTIVE TRACES MUST BE COVERED BY RESIST FILM.
3. PLEASE CONSULT HIROSE WHEN THE PRODUCT IS MOUNTED TO FPC.

3	BRASS	CONTACT AREA : Au PLATING 0.05μm MIN. LEAD AREA : Au PLATING 0.05μm MIN. UNDERPLATING : Ni PLATING 1μm MIN.	9	POLYAMIDE	VACUUM CAP
2	BRASS	CONTACT AREA : Au PLATING 0.05μm MIN. LEAD AREA : Au PLATING 0.05μm MIN. UNDERPLATING : Ni PLATING 1μm MIN.	8	PS	REEL, BLACK
1	LCP	BLACK, UL94V-0	7	POLYESTER	CLEAR
			6	PS	CLEAR
			5	STAINLESS STEEL	-
			4	BRASS	SURFACE : Sn PLATING 1μm MIN. UNDERPLATING : Ni PLATING 0.5μm MIN.
NO.	MATERIAL	FINISH, REMARKS	NO.	MATERIAL	FINISH, REMARKS

UNITS mm		SCALE FREE	COUNT 4	DESCRIPTION OF REVISIONS DIS-H-007735	DESIGNED MI. SAKIMURA	CHECKED TS. KUMAZAWA	DATE 13. 03. 22
HRS HIROSE ELECTRIC CO., LTD.		APPROVED : OM. MIYAMOTO	12. 01. 31	DRAWING NO.	EDC3-339519-01		
		CHECED : OM. MIYAMOTO	12. 01. 31	PART NO.	DF50-20DP-1V(51)		
		DESIGNED : TT. OHSAKO	12. 01. 31	CODE NO.	CL665-0019-3-51		
		DRAWN : TT. OHSAKO	12. 01. 31				

May.1.2019 Copyright 2019 HIROSE ELECTRIC CO., LTD. All Rights Reserved.
 In case of consideration for using Automotive equipment / device which demand high reliability, kindly contact our sales window correspondents.



- NOTES
- 4. 1 REEL : 1000 CONNECTORS.
 - 5. REEL TO JIS C 806. (PACKAGING OF COMPONENTS FOR AUTOMATIC HANDLING.)
 - 6. THE DIMENSIONS IN PARENTHESES ARE FOR REFERENCE.
 - 7. THE MISPLACEMENT OF CENTERS FOR THE HOLE AND THE ELONGATE HOLE IS 0.05mm MAX.

HRS	DRAWING NO.	EDC3-339519-01
	PART NO.	DF50-20DP-1V(51)
	CODE NO.	CL665-0019-3-51
		2/2