

General Specifications

Motor Protection:

Auto Restart/Polarity Protection

Insulation Resistance:

10M Ω or over with a DC500V Megger

Dielectric Withstand Voltage: AC 700V 1s

Allowable Ambient Temperature Range:

-10°C ~ +70°C (Operating)

-40°C ~ +70°C (Storage)

(non-condensing environment)

Expected Life

40°C 30,000 Hours (L10)

Material

Casing : Plastic (Black) UL94V-0

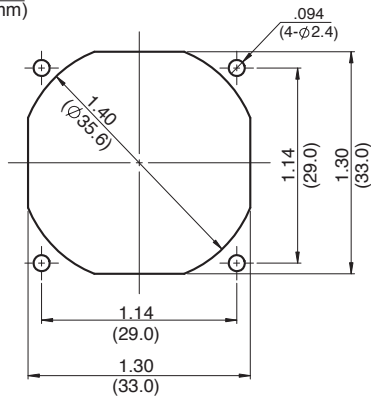
Impeller : Plastic (Black) UL94V-0

Bearing : Sleeve Bearing

Lead Wire : UL1061, AWG26, +Red, -Black, (tach) White

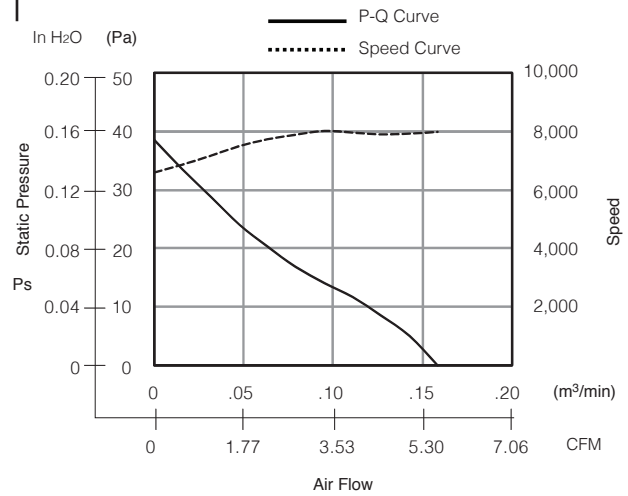
Panel Cut-Outs

Units: $\frac{\text{inch}}{\text{mm}}$

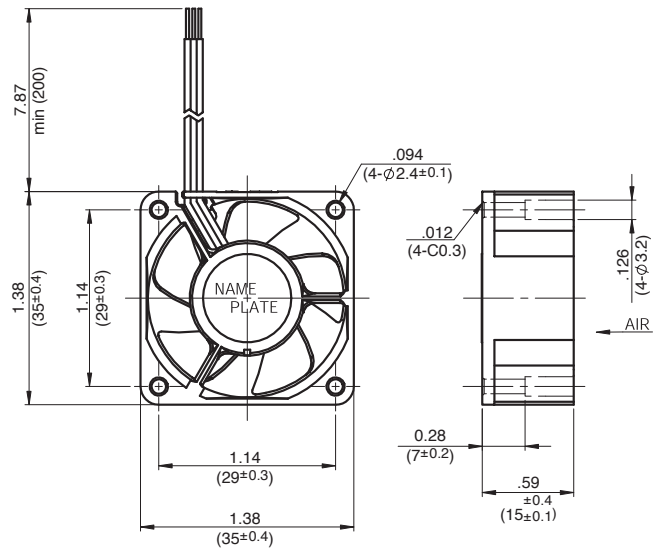


OUTLET SIDE

Characteristic Curves



Outline



Specifications

MODEL	Rated Voltage	Operating Voltage	Current	Input Power	Speed	Max. Air Flow		Max. Static Pressure		Noise	Mass
	(V)	(V)	(A) ^{*1}	(W) ^{*1}	(min ⁻¹) ^{*1}	CFM ^{*1}	(m³/min) ^{*1}	in H ₂ O	(Pa) ^{*1}	(dB) ^{*1}	(g)
03515SS-05N-AT-00	5	4.5 ~ 5.5	0.18	0.90	8000	5.65	.16	.14	35.0	24.0	12.5
03515SS-12N-AT-00	12	6.0 ~ 13.2	0.07	0.84	8000	5.65	.16	.14	35.0	24.0	12.5

Rotation: Clockwise

Airflow Outlet: Air Out Over Struts

*1: Average Values in Free Air

Note: PWM/Locked Rotor/Tach Available

Mouser Electronics

Authorized Distributor

Click to View Pricing, Inventory, Delivery & Lifecycle Information:

[NMB Technologies:](#)

[03515SS-05N-AT-00](#) [03515SS-12N-AT-00](#)