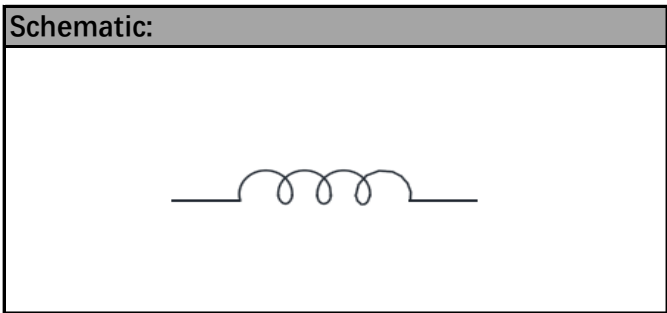
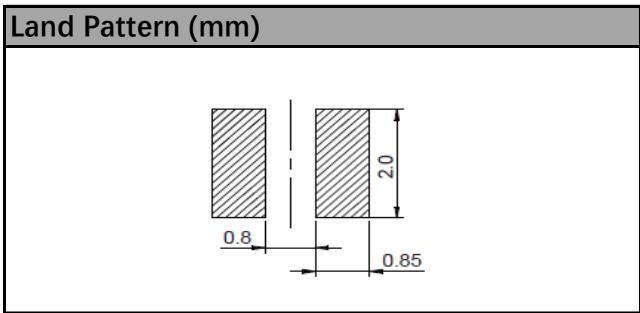
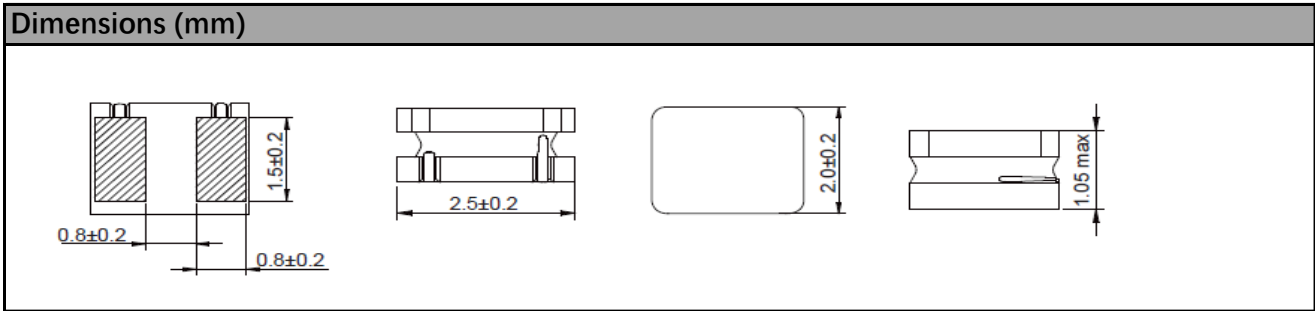


NRSE

SMD Shielded Tiny Power Inductor

Size 2510



Electrical properties

| Part No | L (μ H) | Tolerance | I _{SAT} Max. (A) | I _{SAT} Typ. (A) | I _R Max. (A) | R _{DC} Typ. (m Ω) | R _{DC} Max. (m Ω) | Quantity |
|---------------|-----------------|-----------|---------------------------------|---------------------------------|-------------------------------|------------------------------------------|------------------------------------------|----------|
| NRSE2510-R33M | 0.33 | ±20% | 3.60 | 4.30 | 2.45 | 0.033 | 0.043 | 2000 |
| NRSE2510-R47M | 0.47 | ±20% | 2.80 | 3.20 | 2.4 | 0.033 | 0.044 | |
| NRSE2510-R68M | 0.68 | ±20% | 2.75 | 3.10 | 2.1 | 0.051 | 0.062 | |
| NRSE2510-1R0N | 1 | ±20% | 2.05 | 2.50 | 1.85 | 0.066 | 0.080 | |
| NRSE2510-1R5M | 1.5 | ±20% | 1.70 | 2.05 | 1.55 | 0.085 | 0.108 | |
| NRSE2510-2R2M | 2.2 | ±20% | 1.50 | 1.75 | 1.35 | 0.130 | 0.150 | |
| NRSE2510-3R3M | 3.3 | ±20% | 1.10 | 1.35 | 1.05 | 0.170 | 0.228 | |
| NRSE2510-4R7M | 4.7 | ±20% | 1.00 | 1.15 | 0.90 | 0.280 | 0.330 | |
| NRSE2510-6R8M | 6.8 | ±20% | 0.80 | 0.95 | 0.72 | 0.400 | 0.480 | |
| NRSE2510-100M | 10 | ±20% | 0.65 | 0.75 | 0.67 | 0.500 | 0.600 | |
| NRSE2510-150M | 15 | ±20% | 0.50 | 0.60 | 0.45 | 0.780 | 0.950 | |