

CATALOG

405nm Fiber Receptacle Laser Module





WAVESPECTRUM GROUP was founded in 1999. It is comprised by a group of experienced and innovative experts in the fields of laser physics, materials science, electronic technology and mechanical design. It has established solid cooperation with some famous universities, research institutes and laboratories.

Wavespectrum products are widely used in space science, optical communication technology, laser display, laser medical, life sciences and materials processing. With the rapid development, R&D centers and production bases have been established in China and Europe. The current plant area is 4,000 square meters, including 2,000 square meters of Class 1,000 clean workshops.

Wavespectrum products include laser diodes, fiber-coupled laser modules and fiber-coupled laser systems with wavelengths from 405nm to 1920nm. Our products are used in medical, printing, laser display, life science, laser communication and other fields. At present, the products have all passed the certifications of ROHS, REACH, CE, etc. At the same time, we have got ISO90001 quality management system certification.

Wavespectrum has world-class R&D team, and it has the world first-class production processing plants. Our products can meet the military-grade production and design standards. The products are well acclaimed world-wide, such in Germany, Austria, the United States, Japan, South Korea and other parts of the world. We have established close cooperation with a number of well-known enterprises world-wide.

Wavespectrum offers laser products with wavelength ranges from 405nm to 1920nm.

405nm	445nm	465nm	488nm	505nm	515nm	520nm	525nm	635nm	650nm	660nm	670nm	680nm
685nm	760nm	785nm	790nm	808nm	830nm	850nm	860nm	880nm	905nm	915nm	940nm	980nm
1064nm	1210nm	1270nm	1280nm	1290nm	1310nm	1330nm	1350nm	1370nm	1390nm	1410nm	1430nm	1450nm
1470nm	1490nm	1510nm	1530nm	1550nm	1570nm	1590nm	1610nm	1625nm	1650nm	1720nm	1900nm	1920nm

CONTACT US

Wavespectrum Laser Group Limited

Address : 2-2-1504, 2# Haitai Innovation 6th Road, Xiqing Dist, 300392, TianJin, China

Web : www.wavespectrum-laser.com.cn Email : sales@wavespectrum-laser.com.cn

Tel : 86-022-87931118 Fax : 86-022-86392109

Distributors Wanted World-Wide!

PRODUCT CONTENTS

Single Mode Fiber
Coupled Laser Diode



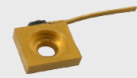
Multi-mode Fiber Coupled
Laser Module



Single Mode Laser Diode



Multi-mode Laser Diode



Collimated Laser Diode



Turnkey Fiber Coupled
Diode Laser System



OEM Fiber Coupled Diode
Laser System



Fiber Receptacle Laser
Module



405nm High Power Fiber
Coupled Laser Source



405nm Fiber Receptacle
Laser Module



Red & Green Aiming Beam
for Fiber Laser



Triplex (RGB) Fiber
Coupled White Laser
Module



Triplex (RGB) Fiber Coupled
White Laser System



3-wavelength (Multi-
wavelength) Fiber Coupled
Laser System



3-channel (Multi-channel)
Fiber Coupled Laser System



Multi-wavelength Fiber
Coupled Laser Module



High Power Fiber
Bundled Laser Module



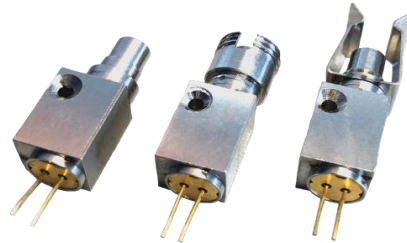
Photodiode



405nm Fiber Receptacle Laser Module

PRODUCT FEATURE

405nm
 Up to 350mW Output Power
 Suit for 25um/50um Fiber Core
 SC/FC/SMA905 Receptacle Connector
 Coaxial Package
 Design for CTP Application
 Long Lifetime
 High Stability



PRODUCT OVERVIEW

405nm Receptacle Laser Module is the competitive product of WAVESPECTRUM.

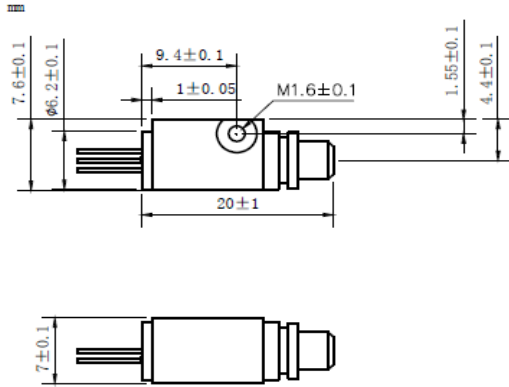
We offer 405nm Fiber Receptacle Laser Module, Which is suit for 25um , 50um fiber core, the output power upto 350mW. Meanwhile, the Receptacle Connector can be SC, FC or SMA905. It mainly used for CTP and medical application. WAVESPECTRUM also offer the Customized Solution for 405nm Fiber Receptacle Laser Modules, such as Customized Power and Customized Fiber Core to meet the special needs of customers.

WAVESPECTRUM use laser welding technology to guarantee the long-term reliability of the laser structure. To ensure the long-term reliability, each laser diode will undergo rigorous testing and aging in the factory. Meanwhile the high-low storage temperature circulation is also necessary for each laser diode. We set the storage temperature range from -40°C to +85°C, and it lasts 10 cycles, which will ensure the long-term reliability of the coupling structure.

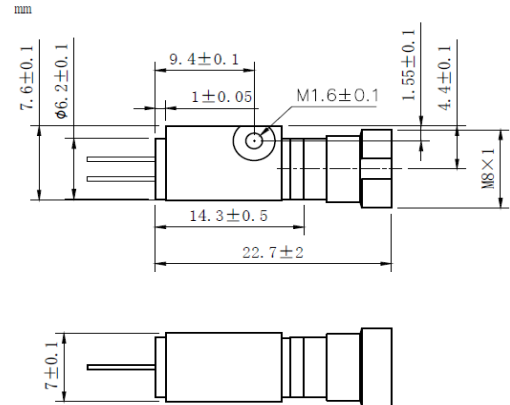


Wavelength	Part Number	Output Power	Fiber Core	Receptacle Connector
405nm	WSLR-405-200m-M	200mW	25um/40um/50um	FC/SC
	WSLR-405-300m-M	300mW	25um/40um/50um	FC/SC
	WSLR-405-350m-M	350mW	50um	FC/SC

TOSA Packing View:



FC Package View :



SC Package View :

