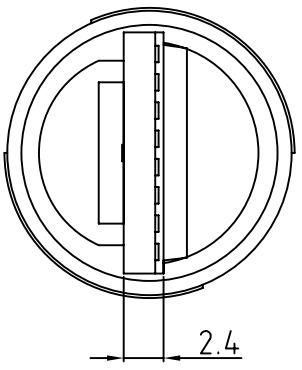
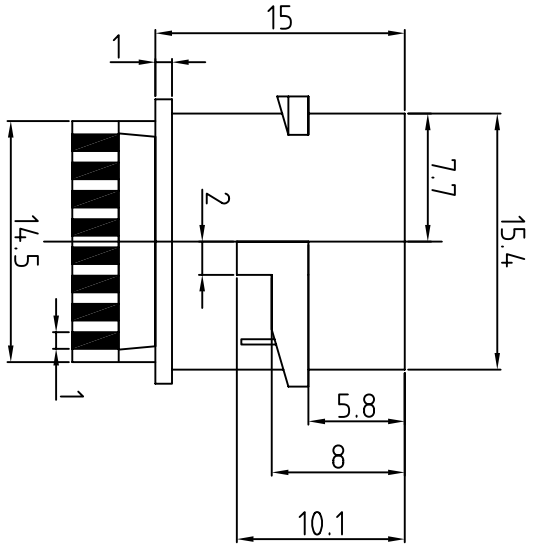
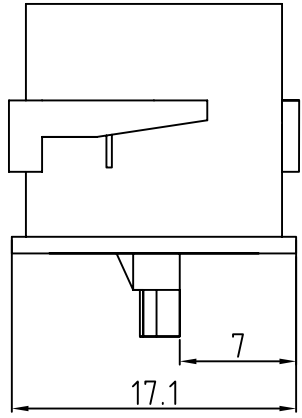
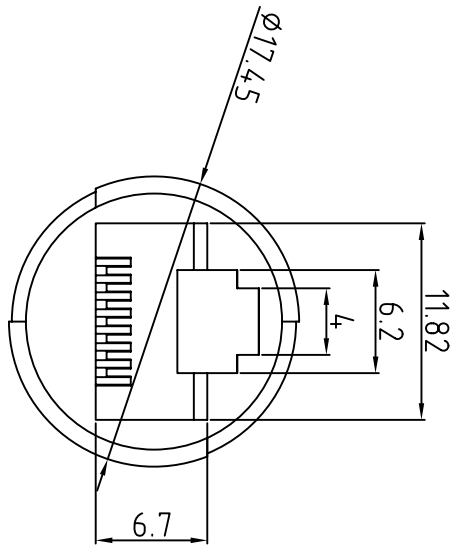


REV	ECN NO.	DATE
-----	---------	------



编码原则:

TM FST 8 11 SB X 1 5

镀层识别码固定1码 1: Au G/F" 3: Au 3u" 5: Au15" 2: Au 1u" 4: Au 6u" 6: Au30" 7: Au 50u" X: 填充码	
---	--

RoHS Compliant

TIAN MU ELECTRONIC CO.,LTD

RJ45 8P8C JACK SMT 黑色 扁针  
(防水线专用母座)

<b>TOLERANCES</b> mm 公差 .0± 0.35 ± .00± 0.25 ± .000± 0.15 ± ANGLES ± 1°		<b>DATE</b> 日期 2015-06-03	<b>UNIT</b> 单位 mm	<b>PART NO.</b> 料号 TMFST811SBX15	<b>Checked</b> 审核	<b>Approved</b> 核准	<b>SIZE</b> A4
<b>MATERIAL</b> 材料 PBT 黑色 支架 LCP UL94V-0. PHOSPHOR BRONZE. GOLD PLATING OVER NICKEL IN CONTACT TIN PLATING OVER NICKEL IN SOLDER AREA.	<b>FINISH</b> 电镀	<b>SCALE</b> 比例 1:1	<b>DESIGNED</b> 设计 张旺新	<b>TITEL</b> 品名 RJ45 8P8C JACK SMT 黑色 扁针 (防水线专用母座)	<b>Checked</b> 审核	<b>Approved</b> 核准	<b>SHEET</b> 1 OF 1

- NOTES
- MATERIAL
1. HOUSING MATERIAL : PBT 黑色 支架 LCP UL94V-0.
  2. CONTACT MATERIAL : PHOSPHOR BRONZE.
  3. PLATING : GOLD PLATING OVER NICKEL IN CONTACT  
TIN PLATING OVER NICKEL IN SOLDER AREA.
- ELECTRICAL
1. VOLTAGE RATING : 125 VAC RMS.
  2. CURRENT RATING : 1.5 AMP.
  3. CONTACT RESISTANCE : 30 MILLIOHMS MAX.
  4. INSULATION RESISTANCE : 500 MEGOHMS MIN @ 500V DC .
  5. DIELECTRIC RESISTANCE : 1000V AC RMS 50Hz. 1MIN.