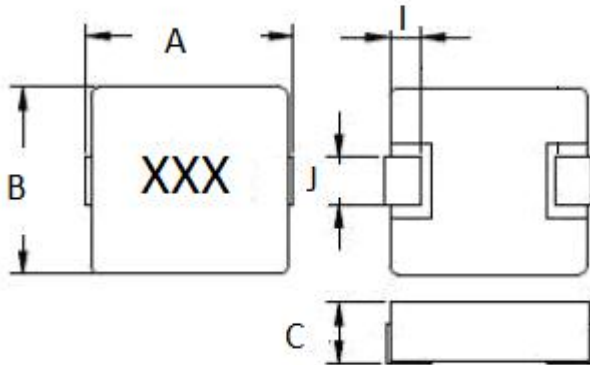


### ● EXTERNAL DIMENSIONS UNIT: mm (外形尺寸)



PART NO.	A MAX	B MAX	C MAX	I	J
CST0412	4.9 MAX	4.5 MAX	1.5MAX	1.2±0.5	1.5 REF
CST0420	4.9 MAX	4.5 MAX	2.0 MAX	1.2±0.5	1.5 REF
CST0520	5.9 MAX	5.5 MAX	2.0 MAX	1.4±0.5	2.0 REF
CST0530	5.9 MAX	5.5 MAX	3.0 MAX	1.4±0.5	2.0 REF
CST0620	7.8 MAX	6.8 MAX	2.1 MAX	1.6±0.5	3.0REF
CST0630	7.8 MAX	6.8 MAX	3.2 MAX	1.6±0.5	3.0REF
CST0650	7.8 MAX	6.8 MAX	5.0 MAX	1.6±0.5	3.0REF
CST0850	8.7 MAX	8.3 MAX	5.5 MAX	2.0±0.5	3.0REF
CST1040	11.6 MAX	10.5 MAX	4.2 MAX	2.5±0.5	3.0REF
CST1050	11.6 MAX	10.5 MAX	5.5 MAX	2.5±0.5	3.0REF
CST1205	13.8 MAX	13.3 MAX	5.0 MAX	2.5±0.5	3.2 REF
CST1207	13.8 MAX	13.3 MAX	6.5 MAX	2.5±0.5	3.2 REF
CST1717	18.2 MAX	17.6MAX	8.6MAX	3.5±0.5	3.8 REF

### ● PART NUMBERING SYSTEM (品名系统)

CST	0630	1R0	M	T
1	2	3	4	5
1、SERIES NAME	品名	C代C. RD. , ST指贴片一体成型系列		
2、DIMENSIONS	尺寸	外围*高度		
3、INDUCTANCE	电感值	前两位为有效数字, 第三位表示零的个数		
4、TOLERANCE CODE	公差	J: ±5%, K: ±10%, L: ±15%, M: ±20%, P: ±25%, N: ±30%		
5、PACKING CODE	包装方式	T: Tape&Reel (卷装) B: In Bulk		

### ● FEATURES (特性)

Various high power inductors are superior to be high saturation for surface mounting.  
具有高功率、高饱和电流, 低阻抗、小型化之特点

### ● APPLICATIONS (用途)

工业电脑、移动电源、汽车电子、液晶电视、笔记本电脑、小型通信机器、DC/DC变压器之电源供应等

\*\*\*\*\*

Design As Customers Requested Specifications 可根据客户需求设计



# 电感专业制造商 CST贴片一体成型系列电感器

## CST0412 TYPE

Part Number 型号	Inductance 电感量 @100KHz 1V	Max.DC Resistance 直流电阻	Heat Rating Current 温升电流	Saturation Current 饱和电流
Units 单位	UH	mΩ	A	A
Symbol 符号	L <sub>0A</sub>	DCR(Max)	I rms.	I sat.
CST0412-R22N	0.22±30%	12	7	11
CST0412-R33N	0.33±30%	19	6.5	8.4
CST0412-R47N	0.47±30%	23	6	6.8
CST0412-R56N	0.56±30%	30	5	6.4
CST0412-R68N	0.68±30%	40	4.7	6
CST0412-1R0M	1±20%	50	4.5	5.5
CST0412-1R5M	1.5±20%	75	3.25	4
CST0412-2R2M	2.2±20%	85	2.75	3.5
CST0412-3R3M	3.3±20%	100	2.1	3.2
CST0412-4R7M	4.7±20%	195	1.8	2.8

## CST0420 TYPE

Part Number 型号	Inductance 电感量 @100KHz 1V	Max.DC Resistance 直流电阻	Heat Rating Current 温升电流	Saturation Current 饱和电流
Units 单位	UH	mΩ	A	A
Symbol 符号	L <sub>0A</sub>	DCR(Max)	I rms.	I sat.
CST0420-R10M	0.1±20%	5	13	22
CST0420-R22M	0.22±20%	7	10	13
CST0420-R47M	0.47±20%	14	7.5	9.5
CST0420-R56M	0.56±20%	16	7	10
CST0420-1R0M	1±20%	28	6	7
CST0420-1R2M	1.2±20%	32	6	7
CST0420-1R5M	1.5±20%	46	5	6
CST0420-2R2M	2.2±20%	52	4.5	5
CST0420-3R3M	3.3±20%	85	3.6	4
CST0420-4R7M	4.7±20%	105	2.8	3
CST0420-6R8M	6.8±20%	170	2.4	2.5
CST0420-100M	10±20%	282	1.5	2.2

### CST0520 TYPE

Part Number 型号	Inductance 电感量 @100KHz 1V	Max.DC Resistance 直流电阻	Heat Rating Current 温升电流	Saturation Current 饱和电流
Units 单位	UH	mΩ	A	A
Symbol 符号	L <sub>0A</sub>	DCR(Max)	I rms.	I sat.
CST0520-R47M	0.47±20%	9	10.5	13
CST0520-R68M	0.68±20%	11	10	12
CST0520-1R5M	1.5±20%	30	7.5	8
CST0520-2R2M	2.2±20%	36	5	6.5
CST0520-3R3M	3.3±20%	60	4.5	5
CST0520-4R7M	4.7±20%	85	3.5	4
CST0520-6R8M	6.8±20%	120	2.8	3.5
CST0520-100M	10±20%	155	2.5	3

### CST0530 TYPE

Part Number 型号	Inductance 电感量 @100KHz 1V	Max.DC Resistance 直流电阻	Heat Rating Current 温升电流	Saturation Current 饱和电流
Units 单位	UH	mΩ	A	A
Symbol 符号	L <sub>0A</sub>	DCR(Max)	I rms.	I sat.
CST0530-R47M	0.47±20%	8.5	11	15
CST0530-R68M	0.68±20%	12	9	11.5
CST0530-1R0M	1.0±20%	14	8.5	11
CST0530-1R5M	1.5±20%	25	8.2	9
CST0530-2R2M	2.2±20%	29	7	7.5
CST0530-3R3M	3.3±20%	38	5.5	6
CST0530-4R7M	4.7±20%	60	4.5	5
CST0530-6R8M	6.8±20%	90	3.5	4
CST0530-100M	10±20%	128	3.2	3.5

### CST0620 TYPE

Part Number 型号	Inductance 电感量 @100KHz 1V	Max.DC Resistance 直流电阻	Heat Rating Current 温升电流	Saturation Current 饱和电流
Units 单位	UH	mΩ	A	A
Symbol 符号	L <sub>0A</sub>	DCR(Max)	I rms.	I sat.
CST0620-R10M	0.1±20%	2.3	25	38
CST0620-R22M	0.22±20%	3.5	22	24
CST0620-R47M	0.47±20%	8.4	11.5	18
CST0620-R68M	0.68±20%	12	9.5	17
CST0620-1R0M	1±20%	16	8.5	14
CST0620-1R5M	1.5±20%	26	8	12
CST0620-2R2M	2.2±20%	35	7	8
CST0620-3R3M	3.3±20%	50	4.5	6.5
CST0620-4R7M	4.7±20%	62	4	5
CST0620-6R8M	6.8±20%	110	3	4.5
CST0620-100M	10±20%	155	2.3	4

CST0630 TYPE

Part Number 型号	Inductance 电感量 @100KHz 1V	Max.DC Resistance 直流电阻	Heat Rating Current 温升电流	Saturation Current 饱和电流
Units 单位	UH	mΩ	A	A
Symbol 符号	L <sub>0A</sub>	DCR(Max)	I rms.	I sat.
CST0630-R10M	0.1±20%	1.7	32.5	60
CST0630-R22M	0.22±20%	2.9	24	40
CST0630-R33M	0.33±20%	3.9	21	26
CST0630-R47M	0.47±20%	4.7	18	21
CST0630-R56M	0.56±20%	5	16.5	20
CST0630-R68M	0.68±20%	5.3	16	18
CST0630-R82M	0.82±20%	6	14	17
CST0630-1R0M	1±20%	7.4	12	16

CST0630 TYPE

Part Number 型号	Inductance 电感量 @100KHz 1V	Max.DC Resistance 直流电阻	Heat Rating Current 温升电流	Saturation Current 饱和电流
Units 单位	UH	mΩ	A	A
Symbol 符号	L <sub>0A</sub>	DCR(Max)	I rms.	I sat.
CST0630-1R5M	1.5±20%	12.1	12	14
CST0630-2R2M	2.2±20%	15	9.5	13
CST0630-3R3M	3.3±20%	22	8.5	10.5
CST0630-4R7M	4.7±20%	33	6	6.5
CST0630-5R6M	5.6±20%	41	5.5	6.3
CST0630-6R8M	6.8±20%	48	5	6.3
CST0630-8R2M	8.2±20%	60	5	6
CST0630-100M	10±20%	67	4.5	5.5
CST0630-150M	15±20%	115	3	4.5
CST0630-220M	22±20%	200	2.3	3
CST0630-330M	33±20%	310	2	2.5

CST0650 TYPE

Part Number 型号	Inductance 电感量 @100KHz 1V	Max.DC Resistance 直流电阻	Heat Rating Current 温升电流	Saturation Current 饱和电流
Units 单位	UH	mΩ	A	A
Symbol 符号	L <sub>0A</sub>	DCR(Max)	I rms.	I sat.
CST0650-R36M	0.36±20%	3.5	23	28
CST0650-R56M	0.56±20%	3.6	20	23
CST0650-R68M	0.68±20%	4.2	18	20
CST0650-1R0M	1±20%	8.5	15	18.5
CST0650-1R5M	1.5±20%	12	13.5	17

### CST0650 TYPE

Part Number 型号	Inductance 电感量 @100KHz 1V	Max.DC Resistance 直流电阻	Heat Rating Current 温升电流	Saturation Current 饱和电流
Units 单位	UH	mΩ	A	A
Symbol 符号	L <sub>0A</sub>	DCR(Max)	I rms.	I sat.
CST0650-2R2M	2.2±20%	14	11	15
CST0650-3R3M	3.3±20%	22	9.5	13
CST0650-4R7M	4.7±20%	30	7.8	10
CST0650-6R8M	6.8±20%	45	6.3	8
CST0650-100M	10±20%	62	5.5	7.2
CST0650-220M	22±20%	140	4.5	5.3
CST0650-330M	33±20%	210	3.1	4.5
CST0650-470M	47±20%	247	2.1	3.2

### CST0850 TYPE

Part Number 型号	Inductance 电感量 @100KHz 1V	Max.DC Resistance 直流电阻	Heat Rating Current 温升电流	Saturation Current 饱和电流
Units 单位	UH	mΩ	A	A
Symbol 符号	L <sub>0A</sub>	DCR(Max)	I rms.	I sat.
CST0850-2R2M	2.2±20%	12	9	14
CST0850-6R8M	6.8±20%	30	7.5	9
CST0850-100M	10±20%	55	6.3	8.1
CST0850-220M	22±20%	110	5	6
CST0850-270M	27±20%	182	4	5.6
CST0850-330M	33±20%	217	3.8	5
CST0850-470M	47±20%	231	2.7	3.8
CST0850-560M	56±20%	310	2	3

### CST1040 TYPE

Part Number 型号	Inductance 电感量 @100KHz 1V	Max.DC Resistance 直流电阻	Heat Rating Current 温升电流	Saturation Current 饱和电流
Units 单位	UH	mΩ	A	A
Symbol 符号	L <sub>0A</sub>	DCR(Max)	I rms.	I sat.
CST1040-R36M	0.36±20%	1.5	30	50
CST1040-R47M	0.47±20%	1.7	30	40
CST1040-R56M	0.56±20%	1.8	25	33
CST1040-R68M	0.68±20%	2.4	23	30
CST1040-1R0M	1±20%	3.3	19	28
CST1040-1R5M	1.5±20%	4.2	16	25
CST1040-2R2M	2.2±20%	7	12	16.5
CST1040-3R3M	3.3±20%	12	11	16

### CST1040 TYPE

Part Number 型号	Inductance 电感量 @100KHz 1V	Max.DC Resistance 直流电阻	Heat Rating Current 温升电流	Saturation Current 饱和电流
Units 单位	UH	mΩ	A	A
Symbol 符号	L <sub>0A</sub>	DCR(Max)	I rms.	I sat.
CST1040-4R7M	4.7±20%	20	9	13
CST1040-6R8M	6.8±20%	25	8.5	12
CST1040-100M	10±20%	30	7.8	8.5
CST1040-150M	15±20%	45	6.25	7
CST1040-220M	22±20%	66	5	5.5
CST1040-330M	33±20%	92	4.4	4.8
CST1040-470M	47±20%	145	3.3	3.5
CST1040-680M	68±20%	195	2.5	3

### CST1050 TYPE

Part Number 型号	Inductance 电感量 @100KHz 1V	Max.DC Resistance 直流电阻	Heat Rating Current 温升电流	Saturation Current 饱和电流
Units 单位	UH	mΩ	A	A
Symbol 符号	L <sub>0A</sub>	DCR(Max)	I rms.	I sat.
CST1050-1R0M	1±20%	3	25	35
CST1050-1R5M	1.5±20%	3.6	20	32
CST1050-2R2M	2.2±20%	6	15	18
CST1050-3R3M	3.3±20%	9.8	12	17
CST1050-4R7M	4.7±20%	15	10.2	15.1
CST1050-6R8M	6.8±20%	20	9.6	13.8
CST1050-100M	10±20%	26	8	10.2
CST1050-150M	15±20%	38	7.2	8.1
CST1050-220M	22±20%	56	5.5	6.8
CST1050-330M	33±20%	87	4.8	5.4
CST1050-470M	47±20%	128	4	5
CST1050-680M	68±20%	173	3	4
CST1050-101M	100±20%	256	2.5	3

### CST1205 TYPE

Part Number 型号	Inductance 电感量 @100KHz 1V	Max.DC Resistance 直流电阻	Heat Rating Current 温升电流	Saturation Current 饱和电流
Units 单位	UH	mΩ	A	A
Symbol 符号	L <sub>0A</sub>	DCR(Max)	I rms.	I sat.
CST1205-R36M	0.36±20%	1	42	50
CST1205-R47M	0.47±20%	1.3	38	48
CST1205-R56M	0.56±20%	1.5	36	47
CST1205-R68M	0.68±20%	1.6	33	46
CST1205-R82M	0.82±20%	1.7	30	40

### CST1205 TYPE

Part Number 型号	Inductance 电感量 @100KHz 1V	Max.DC Resistance 直流电阻	Heat Rating Current 温升电流	Saturation Current 饱和电流
Units 单位	UH	mΩ	A	A
Symbol 符号	L <sub>0A</sub>	DCR(Max)	I rms.	I sat.
CST1205-1R0M	1±20%	2.2	26	35
CST1205-1R2M	1.2±20%	3.5	25	34
CST1205-1R5M	1.5±20%	3.2	23	33
CST1205-2R2M	2.2±20%	5.5	15	25
CST1205-3R3M	3.3±20%	7	14	22
CST1205-4R7M	4.7±20%	9	13	21
CST1205-6R8M	6.8±20%	18	12	19
CST1205-100M	10±20%	22	9	12
CST1205-150M	15±20%	30	8	10
CST1205-220M	22±20%	58	5.8	7
CST1205-330M	33±20%	84	5	6
CST1205-470M	47±20%	130	4.3	5.5
CST1205-680M	68±20%	154	3.8	4.35
CST1205-101M	100±20%	221	2.59	3.56

### CST1207 TYPE

Part Number 型号	Inductance 电感量 @100KHz 1V	Max.DC Resistance 直流电阻	Heat Rating Current 温升电流	Saturation Current 饱和电流
Units 单位	UH	mΩ	A	A
Symbol 符号	L <sub>0A</sub>	DCR(Max)	I rms.	I sat.
CST1207-R22M	0.22±20%	0.7	53	112
CST1207-R33M	0.33±20%	0.9	46	65
CST1207-R68M	0.68±20%	1.6	36	60
CST1207-R82M	0.82±20%	1.9	33	50
CST1207-1R0M	1.0±20%	2	32	49
CST1207-1R5M	1.5±20%	2.5	30	48
CST1207-2R2M	2.2±20%	4.2	22	40
CST1207-3R3M	3.3±20%	6.8	18	35
CST1207-4R7M	4.7±20%	11.2	14	30
CST1207-5R6M	5.6±20%	13.2	13.5	27
CST1207-6R8M	6.8±20%	14	11.5	16.5
CST1207-8R2M	8.2±20%	16	11	13.5
CST1207-100M	10±20%	21	10	12.5
CST1207-150M	15±20%	29	7	9
CST1207-220M	22±20%	40	6.5	8
CST1207-330M	33±20%	75	5.5	7.5
CST1207-470M	47±20%	95	4.5	6.5
CST1207-560M	56±20%	95	4.2	6

CST1207 TYPE

Part Number 型号	Inductance 电感量 @100KHz 1V	Max.DC Resistance 直流电阻	Heat Rating Current 温升电流	Saturation Current 饱和电流
Units 单位	UH	mΩ	A	A
Symbol 符号	L <sub>0A</sub>	DCR(Max)	I rms.	I sat.
CST1207-680M	68±20%	140	4	5
CST1207-101M	100±20%	200	3	4
CST1207-151M	150±20%	350	2	2.7

CST1717 TYPE

Part Number 型号	Inductance 电感量 @100KHz 1V	Max.DC Resistance 直流电阻	Heat Rating Current 温升电流	Saturation Current 饱和电流
Units 单位	UH	mΩ	A	A
Symbol 符号	L <sub>0A</sub>	DCR(Max)	I rms.	I sat.
CST1717-2R2M	2.2±20%	5	30	40
CST1717-3R3M	3.3±20%	7	25	30
CST1717-4R7M	4.7±20%	14	20	25
CST1717-6R8M	6.8±20%	16	15	18
CST1717-100M	10±20%	18	12	17
CST1717-150M	10±20%	30	10	15
CST1717-220M	22±20%	35	8	13
CST1717-330M	33±20%	60	6	10
CST1717-470M	47±20%	70	5	9
CST1717-680M	68±20%	100	4.8	8
CST1717-820M	82±20%	180	4.5	6
CST1717-101M	100±20%	200	4	5
CST1717-151M	150±20%	220	3	4



