

## SERIES 48 ELECTRO-MECHANICAL



### Flex-Tech Miniature Sealed Pushbutton Switches

This rugged multi-option sealed pushbutton series offers the utmost in choices for mounting style, colors, terminations, bezels, lighting and momentary or alternate-action switching. The Series 48 offers all these options in one compact package size.

#### KEY FEATURES:

- Momentary or maintained action
- Gold contacts
- Many button colors
- Choice of LED colors (or non-lighted versions)
- Long life
- Solder or PC terminals
- Panel sealed to IP 67

#### APPLICATIONS

- Office equipment
- Medical equipment
- Industrial machinery
- Outdoor controls
- Mass transportation
- Food processing equipment

#### ORDERING INFORMATION:

Switch Function	Switch Termination	Module Type	Bezel Type	LED Color	Button Color	Mounting Type
Momentary	Solder Tabs	48-1	RB - Round, Black	N - None	RD - Red	B - Bushing
Maintained	Solder Tabs	48-2	SB - Square, Black	R - Red	GR - Green	S - Snap-fit
Momentary	PC	48-5	RC - Round, Chrome	G - Green	BK - Black	
Maintained	PC	48-6	SC - Square, Chrome	Y - Yellow A - Amber B - Blue W - White	BL - Blue YL - Yellow OR - Orange CR - Chrome	

48-X | 
 -XX | 
 -X | 
 -XX | 
 -X

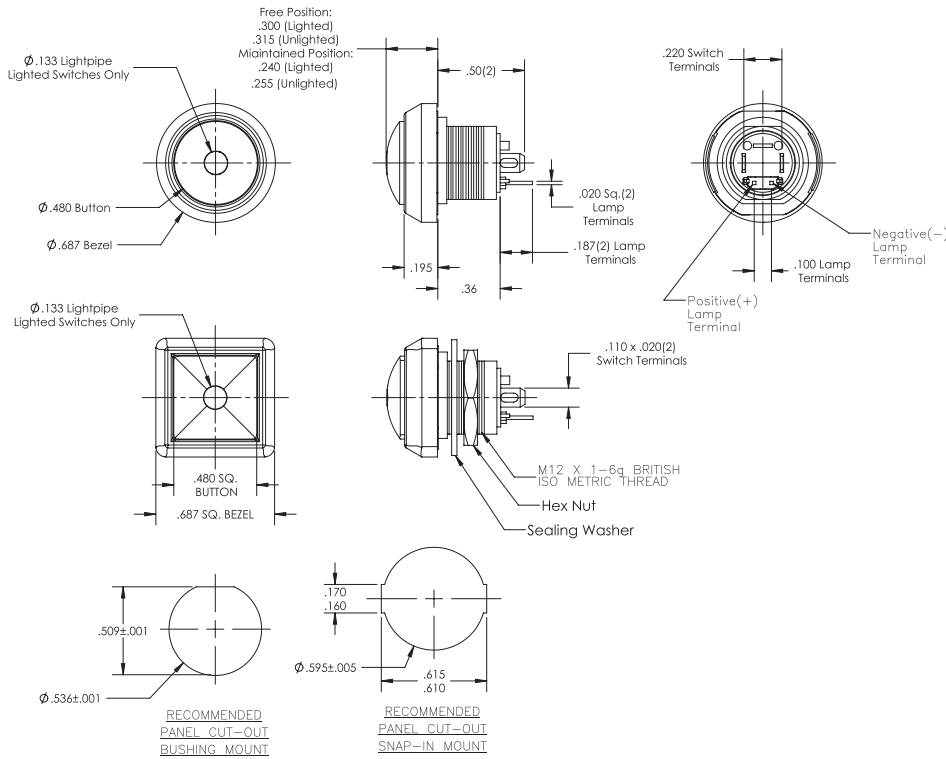
#### STANDARDS / AGENCY / RATINGS:

Patent # 6,965,085

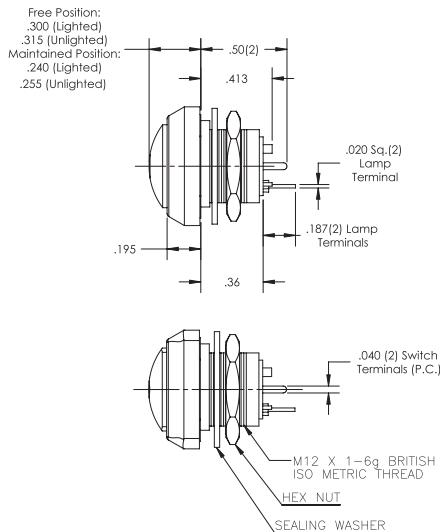


# SERIES 48—FLEX-TECH MINIATURE SEALED PUSHBUTTON

## SOLDER TAB TERMINALS



## PC TERMINALS



## MECHANICAL / ELECTRICAL CHARACTERISTICS:

### Circuit:

SPST-NO-DB

### Button travel (nominal):

.09/2.3 mm

### Life (mechanical) (nominal):

1,000,000 cycles (momentary)

100,000 cycles (maintained)

### Operating force (nominal):

3N/306g

### Contact bounce (nominal):

1 ms

### Panel thickness:

.02 - .12 / 1.5-3mm

### Temperature index:

-40°F to + 185°F

### Current ratings:

400mA, 32 VAC Res.

100 mA, 50 VDC Res.

125mA, 125 VAC Res.

### Dielectric strength:

1,000 VAC

### Insulation resistance:

1G OHM

### Contact resistance:

50m OHMS

### Torque (max):

10 inch pounds

# **ITW** Switches

2550 Millbrook Drive

Buffalo Grove, IL 60089

800.544.3354

847.876.9400

847.876.9440 (Fax)

[www.itwswitches.com](http://www.itwswitches.com)

[customer\\_service@itwswitches.com](mailto:customer_service@itwswitches.com)