



NAND Flash Memory

**MT29F32G08ABAAA, MT29F64G08AFAAA, MT29F128G08A[J/K/M]AAA
MT29F256G08AUAAA, MT29F32G08ABCAB, MT29F64G08AECAB
MT29F128G08A[K/M]CAB, MT29F256G08AUCAB**

Features

- Open NAND Flash Interface (ONFI) 2.2-compliant¹
 - Single-level cell (SLC) technology
 - Organization
 - Page size x8: 8640 bytes (8192 + 448 bytes)
 - Block size: 128 pages (1024K + 56K bytes)
 - Plane size: 2 planes x 2048 blocks per plane
 - Device size: 32Gb: 4096 blocks;
64Gb: 8192 blocks;
128Gb: 16,384 blocks;
256Gb: 32,768 blocks
 - Synchronous I/O performance
 - Up to synchronous timing mode 5
 - Clock rate: 10ns (DDR)
 - Read/write throughput per pin: 200 MT/s
 - Asynchronous I/O performance
 - Up to asynchronous timing mode 5
 - ^tRC/^tWC: 20ns (MIN)
 - Read/write throughput per pin: 50 MT/s
 - Array performance
 - Read page: 35µs (MAX)
 - Program page: 350µs (TYP)
 - Erase block: 1.5ms (TYP)
 - Operating Voltage Range
 - V_{CC}: 2.7–3.6V
 - V_{CCQ}: 1.7–1.95V, 2.7–3.6V
 - Command set: ONFI NAND Flash Protocol
 - Advanced Command Set
 - Program cache
 - Read cache sequential
 - Read cache random
 - One-time programmable (OTP) mode
 - Multi-plane commands
 - Multi-LUN operations
 - Read unique ID
 - Copyback
 - First block (block address 00h) is valid when shipped from factory. For minimum required ECC, see Error Management (page 114).
 - RESET (FFh) required as first command after power-on
 - Operation status byte provides software method for detecting
 - Operation completion
 - Pass/fail condition
 - Write-protect status
 - Data strobe (DQS) signals provide a hardware method for synchronizing data DQ in the synchronous interface
 - Copyback operations supported within the plane from which data is read
 - Quality and reliability
 - Data retention: JESD47G compliant; see qualification report
 - Endurance: 60,000 PROGRAM/ERASE cycles
 - Operating temperature:
 - Commercial: 0°C to +70°C
 - Industrial (IT): –40°C to +85°C
 - Package
 - 52-pad LGA
 - 48-pin TSOP
 - 100-ball BGA
 - 132-ball BGA
- Note: 1. The ONFI 2.2 specification is available at www.onfi.org.

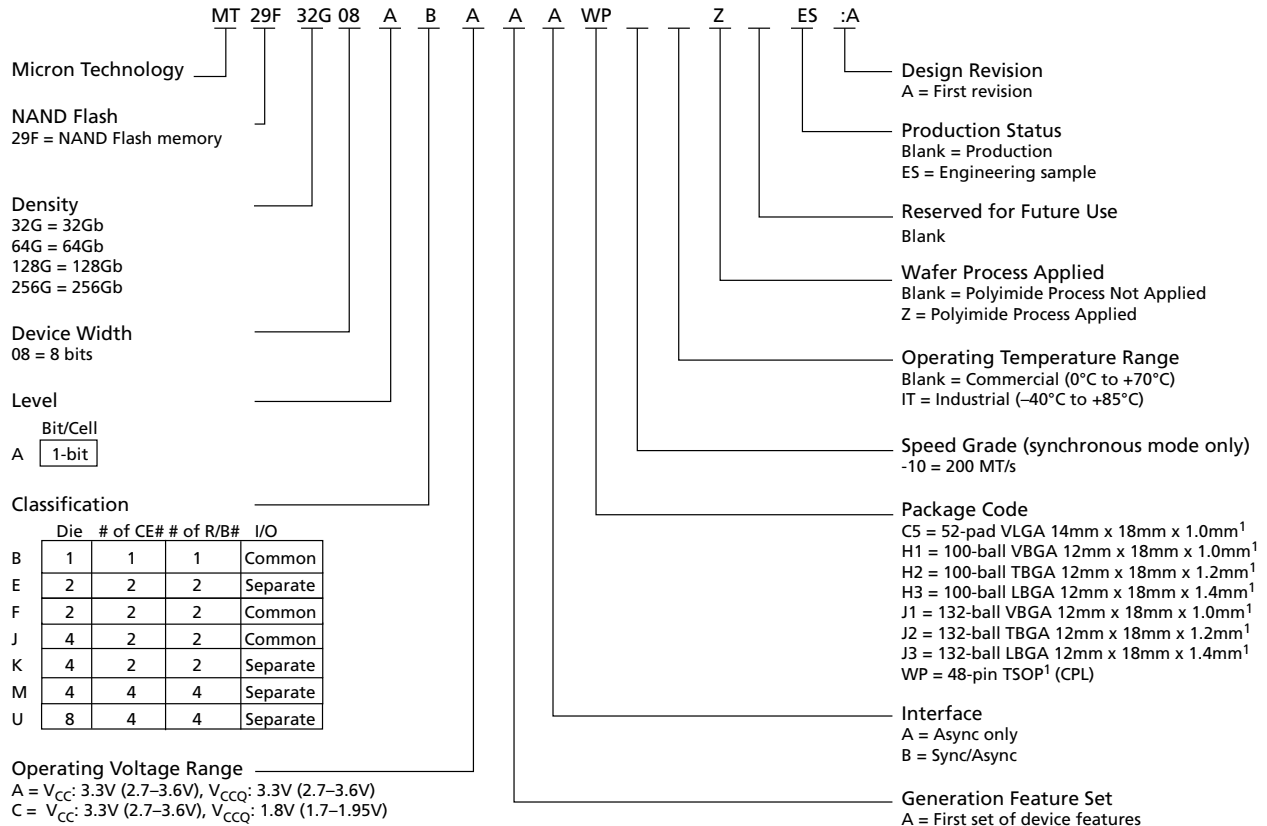


32Gb, 64Gb, 128Gb, 256Gb Asynchronous/Synchronous NAND Features

Part Numbering Information

Micron NAND Flash devices are available in different configurations and densities. Verify valid part numbers by using Micron’s part catalog search at www.micron.com. To compare features and specifications by device type, visit www.micron.com/products. Contact the factory for devices not found.

Figure 1: Part Numbering



Note: 1. Pb-free package.



Contents

General Description	9
Asynchronous and Synchronous Signal Descriptions	9
Signal Assignments	11
Package Dimensions	15
Architecture	23
Device and Array Organization	24
Bus Operation – Asynchronous Interface	32
Asynchronous Enable/Standby	32
Asynchronous Bus Idle	32
Asynchronous Pausing Data Input/Output	33
Asynchronous Commands	33
Asynchronous Addresses	34
Asynchronous Data Input	35
Asynchronous Data Output	36
Write Protect	37
Ready/Busy#	37
Bus Operation – Synchronous Interface	42
Synchronous Enable/Standby	43
Synchronous Bus Idle/Driving	43
Synchronous Pausing Data Input/Output	44
Synchronous Commands	44
Synchronous Addresses	45
Synchronous DDR Data Input	46
Synchronous DDR Data Output	47
Write Protect	49
Ready/Busy#	49
Device Initialization	50
Activating Interfaces	52
Activating the Asynchronous Interface	52
Activating the Synchronous Interface	52
Command Definitions	54
Reset Operations	56
RESET (FFh)	56
SYNCHRONOUS RESET (FCh)	57
RESET LUN (FAh)	58
Identification Operations	59
READ ID (90h)	59
READ ID Parameter Tables	60
READ PARAMETER PAGE (ECh)	61
Parameter Page Data Structure Tables	62
READ UNIQUE ID (EDh)	72
Configuration Operations	73
SET FEATURES (EFh)	73
GET FEATURES (EEh)	74
Status Operations	78
READ STATUS (70h)	79
READ STATUS ENHANCED (78h)	80
Column Address Operations	81
CHANGE READ COLUMN (05h-E0h)	81
CHANGE READ COLUMN ENHANCED (06h-E0h)	82



32Gb, 64Gb, 128Gb, 256Gb Asynchronous/Synchronous NAND Features

CHANGE WRITE COLUMN (85h)	83
CHANGE ROW ADDRESS (85h)	84
Read Operations	86
READ MODE (00h)	88
READ PAGE (00h-30h)	89
READ PAGE CACHE SEQUENTIAL (31h)	90
READ PAGE CACHE RANDOM (00h-31h)	91
READ PAGE CACHE LAST (3Fh)	93
READ PAGE MULTI-PLANE (00h-32h)	94
Program Operations	96
PROGRAM PAGE (80h-10h)	96
PROGRAM PAGE CACHE (80h-15h)	98
PROGRAM PAGE MULTI-PLANE (80h-11h)	100
Erase Operations	102
ERASE BLOCK (60h-D0h)	102
ERASE BLOCK MULTI-PLANE (60h-D1h)	103
Copyback Operations	104
COPYBACK READ (00h-35h)	105
COPYBACK PROGRAM (85h-10h)	106
COPYBACK READ MULTI-PLANE (00h-32h)	106
COPYBACK PROGRAM MULTI-PLANE (85h-11h)	107
One-Time Programmable (OTP) Operations	108
PROGRAM OTP PAGE (80h-10h)	109
PROTECT OTP AREA (80h-10h)	110
READ OTP PAGE (00h-30h)	111
Multi-Plane Operations	112
Multi-Plane Addressing	112
Interleaved Die (Multi-LUN) Operations	113
Error Management	114
Output Drive Impedance	115
AC Overshoot/Undershoot Specifications	118
Synchronous Input Slew Rate	119
Output Slew Rate	120
Electrical Specifications	121
Electrical Specifications – DC Characteristics and Operating Conditions (Asynchronous)	124
Electrical Specifications – DC Characteristics and Operating Conditions (Synchronous)	125
Electrical Specifications – DC Characteristics and Operating Conditions (V _{CCQ})	125
Electrical Specifications – AC Characteristics and Operating Conditions (Asynchronous)	127
Electrical Specifications – AC Characteristics and Operating Conditions (Synchronous)	129
Electrical Specifications – Array Characteristics	132
Asynchronous Interface Timing Diagrams	133
Synchronous Interface Timing Diagrams	144
Revision History	166
Rev. H Production – 2/14	166
Rev. G Production – 1/14	166
Rev. F Production – 5/12	166
Rev. E Production – 4/12	166
Rev. D Production – 6/11	166
Rev. C – 12/10	166
Rev. B – 7/10	167
Rev. A – 2/10	167



List of Tables

Table 1: Asynchronous and Synchronous Signal Definitions	9
Table 2: Array Addressing for Logical Unit (LUN)	31
Table 3: Asynchronous Interface Mode Selection	32
Table 4: Synchronous Interface Mode Selection	42
Table 5: Command Set	54
Table 6: Read ID Parameters for Address 00h	60
Table 7: Read ID Parameters for Address 20h	60
Table 8: Parameter Page Data Structure	62
Table 9: Feature Address Definitions	73
Table 10: Feature Address 01h: Timing Mode	75
Table 11: Feature Addresses 10h and 80h: Programmable Output Drive Strength	76
Table 12: Feature Addresses 81h: Programmable R/B# Pull-Down Strength	76
Table 13: Feature Addresses 90h: Array Operation Mode	77
Table 14: Status Register Definition	78
Table 15: OTP Area Details	109
Table 16: Error Management Details	114
Table 17: Output Drive Strength Conditions ($V_{CCQ} = 1.7-1.95V$)	115
Table 18: Output Drive Strength Impedance Values ($V_{CCQ} = 1.7-1.95V$)	115
Table 19: Output Drive Strength Conditions ($V_{CCQ} = 2.7-3.6V$)	116
Table 20: Output Drive Strength Impedance Values ($V_{CCQ} = 2.7-3.6V$)	116
Table 21: Pull-Up and Pull-Down Output Impedance Mismatch	117
Table 22: Asynchronous Overshoot/Undershoot Parameters	118
Table 23: Synchronous Overshoot/Undershoot Parameters	118
Table 24: Test Conditions for Input Slew Rate	119
Table 25: Input Slew Rate ($V_{CCQ} = 1.7-1.95V$)	119
Table 26: Test Conditions for Output Slew Rate	120
Table 27: Output Slew Rate ($V_{CCQ} = 1.7-1.95V$)	120
Table 28: Output Slew Rate ($V_{CCQ} = 2.7-3.6V$)	120
Table 29: Absolute Maximum Ratings by Device	121
Table 30: Recommended Operating Conditions	121
Table 31: Valid Blocks per LUN	121
Table 32: Capacitance: 100-Ball BGA Package	122
Table 33: Capacitance: 132-Ball BGA Package	123
Table 34: Capacitance: 48-Pin TSOP Package	123
Table 35: Capacitance: 52-Pad LGA Package	123
Table 36: Test Conditions	124
Table 37: DC Characteristics and Operating Conditions (Asynchronous Interface)	124
Table 38: DC Characteristics and Operating Conditions (Synchronous Interface)	125
Table 39: DC Characteristics and Operating Conditions ($3.3V V_{CCQ}$)	125
Table 40: DC Characteristics and Operating Conditions ($1.8V V_{CCQ}$)	126
Table 41: AC Characteristics: Asynchronous Command, Address, and Data	127
Table 42: AC Characteristics: Synchronous Command, Address, and Data	129
Table 43: Array Characteristics	132



List of Figures

Figure 1: Part Numbering	2
Figure 2: 48-Pin TSOP Type 1 (Top View)	11
Figure 3: 52-Pad LGA (Top View)	12
Figure 4: 100-Ball BGA (Ball-Down, Top View)	13
Figure 5: 132-Ball BGA (Ball-Down, Top View)	14
Figure 6: 48-Pin TSOP – Type 1 CPL (Package Code: WP)	15
Figure 7: 52-Pad VLGA	16
Figure 8: 100-Ball VBGA – 12mm x 18mm (Package Code: H1)	17
Figure 9: 100-Ball TBGA – 12mm x 18mm (Package Code: H2)	18
Figure 10: 100-Ball LBGA – 12mm x 18mm (Package Code: H3)	19
Figure 11: 132-Ball VBGA – 12mm x 18mm (Package Code: J1)	20
Figure 12: 132-Ball TBGA – 12mm x 18mm (Package Code: J2)	21
Figure 13: 132-Ball LBGA – 12mm x 18mm (Package Code: J3)	22
Figure 14: NAND Flash Die (LUN) Functional Block Diagram	23
Figure 15: Device Organization for Single-Die Package (TSOP/BGA)	24
Figure 16: Device Organization for Two-Die Package (TSOP)	25
Figure 17: Device Organization for Two-Die Package (BGA)	26
Figure 18: Device Organization for Four-Die Package (TSOP)	27
Figure 19: Device Organization for Four-Die Package with CE# and CE2# (BGA/LGA)	28
Figure 20: Device Organization for Four-Die Package with CE#, CE2#, CE3#, and CE4# (BGA/LGA)	29
Figure 21: Device Organization for Eight-Die Package (BGA/LGA)	30
Figure 22: Array Organization per Logical Unit (LUN)	31
Figure 23: Asynchronous Command Latch Cycle	33
Figure 24: Asynchronous Address Latch Cycle	34
Figure 25: Asynchronous Data Input Cycles	35
Figure 26: Asynchronous Data Output Cycles	36
Figure 27: Asynchronous Data Output Cycles (EDO Mode)	37
Figure 28: READ/BUSY# Open Drain	38
Figure 29: t_{Fall} and t_{Rise} ($V_{\text{CCQ}} = 2.7\text{-}3.6\text{V}$)	39
Figure 30: t_{Fall} and t_{Rise} ($V_{\text{CCQ}} = 1.7\text{-}1.95\text{V}$)	39
Figure 31: IOL vs R_p ($V_{\text{CCQ}} = 2.7\text{-}3.6\text{V}$)	40
Figure 32: IOL vs R_p ($V_{\text{CCQ}} = 1.7\text{-}1.95\text{V}$)	40
Figure 33: TC vs R_p	41
Figure 34: Synchronous Bus Idle/Driving Behavior	44
Figure 35: Synchronous Command Cycle	45
Figure 36: Synchronous Address Cycle	46
Figure 37: Synchronous DDR Data Input Cycles	47
Figure 38: Synchronous DDR Data Output Cycles	49
Figure 39: R/B# Power-On Behavior	50
Figure 40: Activating the Synchronous Interface	53
Figure 41: RESET (FFh) Operation	56
Figure 42: SYNCHRONOUS RESET (FCh) Operation	57
Figure 43: RESET LUN (FAh) Operation	58
Figure 44: READ ID (90h) with 00h Address Operation	59
Figure 45: READ ID (90h) with 20h Address Operation	59
Figure 46: READ PARAMETER (ECh) Operation	61
Figure 47: READ UNIQUE ID (EDh) Operation	72
Figure 48: SET FEATURES (EFh) Operation	74
Figure 49: GET FEATURES (EEh) Operation	74
Figure 50: READ STATUS (70h) Operation	80



Figure 51: READ STATUS ENHANCED (78h) Operation	80
Figure 52: CHANGE READ COLUMN (05h-E0h) Operation	81
Figure 53: CHANGE READ COLUMN ENHANCED (06h-E0h) Operation	82
Figure 54: CHANGE WRITE COLUMN (85h) Operation	83
Figure 55: CHANGE ROW ADDRESS (85h) Operation	85
Figure 56: READ PAGE (00h-30h) Operation	89
Figure 57: READ PAGE CACHE SEQUENTIAL (31h) Operation	90
Figure 58: READ PAGE CACHE RANDOM (00h-31h) Operation	92
Figure 59: READ PAGE CACHE LAST (3Fh) Operation	93
Figure 60: READ PAGE MULTI-PLANE (00h-32h) Operation	95
Figure 61: PROGRAM PAGE (80h-10h) Operation	97
Figure 62: PROGRAM PAGE CACHE (80h-15h) Operation (Start)	99
Figure 63: PROGRAM PAGE CACHE (80h-15h) Operation (End)	99
Figure 64: PROGRAM PAGE MULTI-PLANE (80h-11h) Operation	101
Figure 65: ERASE BLOCK (60h-D0h) Operation	102
Figure 66: ERASE BLOCK MULTI-PLANE (60h-D1h) Operation	103
Figure 67: COPYBACK READ (00h-35h) Operation	105
Figure 68: COPYBACK READ (00h-35h) with CHANGE READ COLUMN (05h-E0h) Operation	105
Figure 69: COPYBACK PROGRAM (85h-10h) Operation	106
Figure 70: COPYBACK PROGRAM (85h-10h) with CHANGE WRITE COLUMN (85h) Operation	106
Figure 71: COPYBACK PROGRAM MULTI-PLANE (85h-11h) Operation	107
Figure 72: PROGRAM OTP PAGE (80h-10h) Operation	109
Figure 73: PROGRAM OTP PAGE (80h-10h) with CHANGE WRITE COLUMN (85h) Operation	110
Figure 74: PROTECT OTP AREA (80h-10h) Operation	111
Figure 75: READ OTP PAGE (00h-30h) Operation	111
Figure 76: Overshoot	118
Figure 77: Undershoot	118
Figure 78: RESET Operation	133
Figure 79: RESET LUN Operation	133
Figure 80: READ STATUS Cycle	134
Figure 81: READ STATUS ENHANCED Cycle	134
Figure 82: READ PARAMETER PAGE	135
Figure 83: READ PAGE	135
Figure 84: READ PAGE Operation with CE# "Don't Care"	136
Figure 85: CHANGE READ COLUMN	137
Figure 86: READ PAGE CACHE SEQUENTIAL	138
Figure 87: READ PAGE CACHE RANDOM	139
Figure 88: READ ID Operation	140
Figure 89: PROGRAM PAGE Operation	140
Figure 90: PROGRAM PAGE Operation with CE# "Don't Care"	141
Figure 91: PROGRAM PAGE Operation with CHANGE WRITE COLUMN	141
Figure 92: PROGRAM PAGE CACHE	142
Figure 93: PROGRAM PAGE CACHE Ending on 15h	142
Figure 94: COPYBACK	143
Figure 95: ERASE BLOCK Operation	143
Figure 96: SET FEATURES Operation	144
Figure 97: READ ID Operation	145
Figure 98: GET FEATURES Operation	146
Figure 99: RESET (FCh) Operation	147
Figure 100: READ STATUS Cycle	148
Figure 101: READ STATUS ENHANCED Operation	149
Figure 102: READ PARAMETER PAGE Operation	150



32Gb, 64Gb, 128Gb, 256Gb Asynchronous/Synchronous NAND Features

Figure 103: READ PAGE Operation	151
Figure 104: CHANGE READ COLUMN	152
Figure 105: READ PAGE CACHE SEQUENTIAL (1 of 2)	153
Figure 106: READ PAGE CACHE SEQUENTIAL (2 of 2)	154
Figure 107: READ PAGE CACHE RANDOM (1 of 2)	155
Figure 108: READ PAGE CACHE RANDOM (2 of 2)	155
Figure 109: Multi-Plane Read Page (1 of 2)	156
Figure 110: Multi-Plane Read Page (2 of 2)	157
Figure 111: PROGRAM PAGE Operation (1 of 2)	158
Figure 112: PROGRAM PAGE Operation (2 of 2)	158
Figure 113: CHANGE WRITE COLUMN	159
Figure 114: Multi-Plane Program Page	160
Figure 115: ERASE BLOCK	161
Figure 116: COPYBACK (1 of 3)	161
Figure 117: COPYBACK (2 of 3)	162
Figure 118: COPYBACK (3 of 3)	162
Figure 119: READ OTP PAGE	163
Figure 120: PROGRAM OTP PAGE (1 of 2)	164
Figure 121: PROGRAM OTP PAGE (2 of 2)	164
Figure 122: PROTECT OTP AREA	165



General Description

Micron NAND Flash devices include an asynchronous data interface for high-performance I/O operations. These devices use a highly multiplexed 8-bit bus (DQx) to transfer commands, address, and data. There are five control signals used to implement the asynchronous data interface: CE#, CLE, ALE, WE#, and RE#. Additional signals control hardware write protection (WP#) and monitor device status (R/B#).

This Micron NAND Flash device additionally includes a synchronous data interface for high-performance I/O operations. When the synchronous interface is active, WE# becomes CLK and RE# becomes W/R#. Data transfers include a bidirectional data strobe (DQS).

This hardware interface creates a low pin-count device with a standard pinout that remains the same from one density to another, enabling future upgrades to higher densities with no board redesign.

A target is the unit of memory accessed by a chip enable signal. A target contains one or more NAND Flash die. A NAND Flash die is the minimum unit that can independently execute commands and report status. A NAND Flash die, in the ONFI specification, is referred to as a logical unit (LUN). For further details, see Device and Array Organization.

Asynchronous and Synchronous Signal Descriptions

Table 1: Asynchronous and Synchronous Signal Definitions

Asynchronous Signal ¹	Synchronous Signal ¹	Type	Description ²
ALE	ALE	Input	Address latch enable: Loads an address from DQx into the address register.
CE#	CE#	Input	Chip enable: Enables or disables one or more die (LUNs) in a target ¹ .
CLE	CLE	Input	Command latch enable: Loads a command from DQx into the command register.
DQx	DQx	I/O	Data inputs/outputs: The bidirectional I/Os transfer address, data, and command information.
–	DQS	I/O	Data strobe: Provides a synchronous reference for data input and output.
RE#	W/R#	Input	Read enable and write/read: RE# transfers serial data from the NAND Flash to the host system when the asynchronous interface is active. When the synchronous interface is active, W/R# controls the direction of DQx and DQS.
WE#	CLK	Input	Write enable and clock: WE# transfers commands, addresses, and serial data from the host system to the NAND Flash when the asynchronous interface is active. When the synchronous interface is active, CLK latches command and address cycles.
WP#	WP#	Input	Write protect: Enables or disables array PROGRAM and ERASE operations.
R/B#	R/B#	Output	Ready/busy: An open-drain, active-low output that requires an external pull-up resistor. This signal indicates target array activity.



32Gb, 64Gb, 128Gb, 256Gb Asynchronous/Synchronous NAND Asynchronous and Synchronous Signal Descriptions

Table 1: Asynchronous and Synchronous Signal Definitions (Continued)

Asynchronous Signal ¹	Synchronous Signal ¹	Type	Description ²
V _{CC}	V _{CC}	Supply	V_{CC} : Core power supply
V _{CCQ}	V _{CCQ}	Supply	V_{CCQ} : I/O power supply
V _{SS}	V _{SS}	Supply	V_{SS} : Core ground connection
V _{SSQ}	V _{SSQ}	Supply	V_{SSQ} : I/O ground connection
NC	NC	–	No connect : NCs are not internally connected. They can be driven or left unconnected.
DNU	DNU	–	Do not use : DNUs must be left unconnected.
RFU	RFU	–	Reserved for future use : RFUs must be left unconnected.

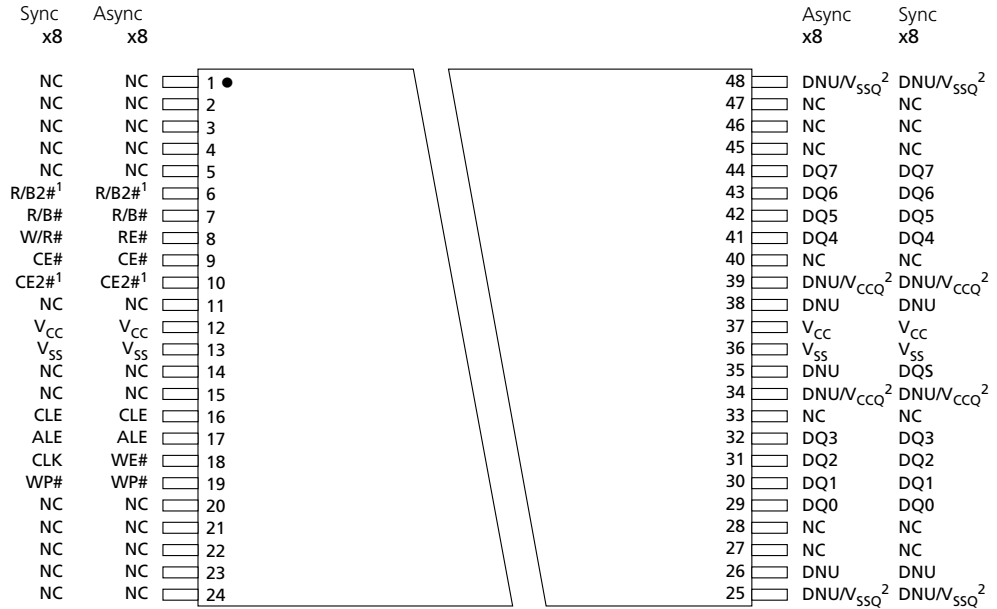
- Notes:
1. See Device and Array Organization for detailed signal connections.
 2. See Bus Operation – Asynchronous Interface (page 32) and Bus Operation – Synchronous Interface (page 42) for detailed asynchronous and synchronous interface signal descriptions.



32Gb, 64Gb, 128Gb, 256Gb Asynchronous/Synchronous NAND Signal Assignments

Signal Assignments

Figure 2: 48-Pin TSOP Type 1 (Top View)

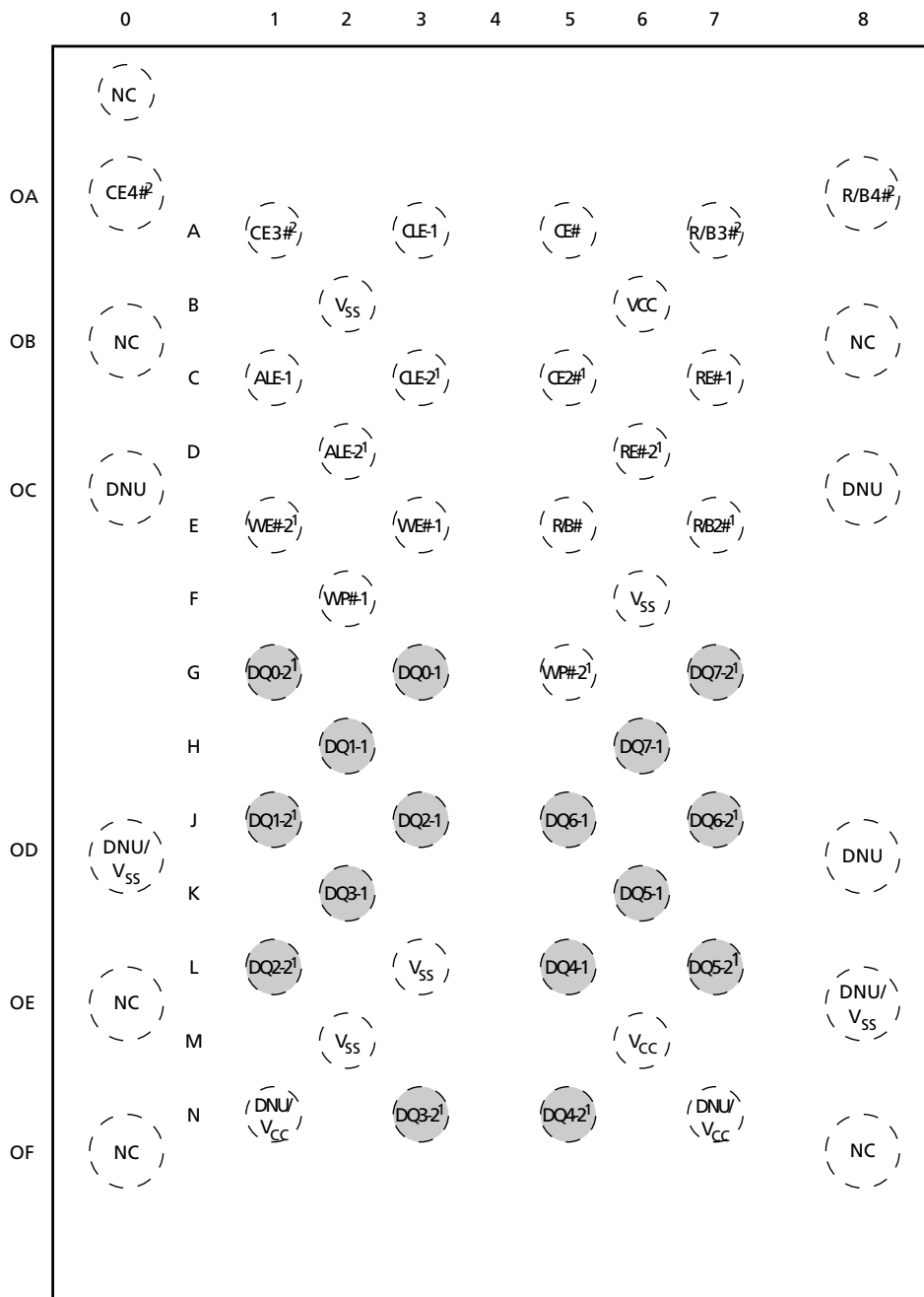


- Notes:
1. CE2# and R/B2# are available on dual die and quad die packages. They are NC for other configurations.
 2. These V_{CCQ} and V_{SSQ} pins are for compatibility with ONFI 2.2. If not supplying V_{CCQ} or V_{SSQ} to these pins, do not use them.
 3. TSOP devices do not support the synchronous interface.



32Gb, 64Gb, 128Gb, 256Gb Asynchronous/Synchronous NAND Signal Assignments

Figure 3: 52-Pad LGA (Top View)



Top View, Pads Down

- Notes:
1. These signals are available on quad and octal die packages. They are NC for other configurations.
 2. These signals are available on quad die four CE# or octal die packages. They are NC for other configurations.



32Gb, 64Gb, 128Gb, 256Gb Asynchronous/Synchronous NAND Signal Assignments

Figure 4: 100-Ball BGA (Ball-Down, Top View)



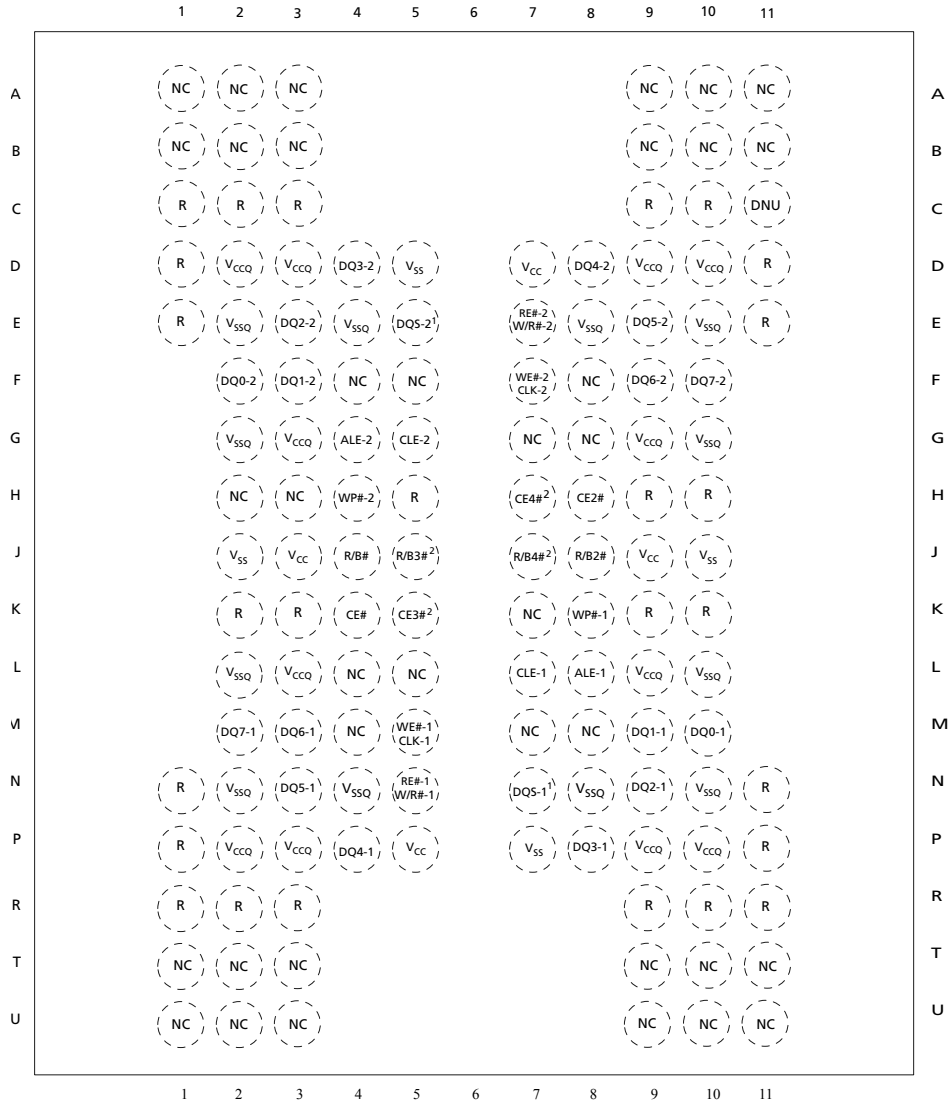
- Notes:
1. N/A: This signal is tri-stated when the asynchronous interface is active.
 2. Signal names in parentheses are the signal names when the synchronous interface is active.
 3. These signals are available on dual, quad, and octal die packages. They are NC for other configurations.



32Gb, 64Gb, 128Gb, 256Gb Asynchronous/Synchronous NAND Signal Assignments

4. These signals are available on quad die four CE# or octal die packages. They are NC for other configurations.

Figure 5: 132-Ball BGA (Ball-Down, Top View)



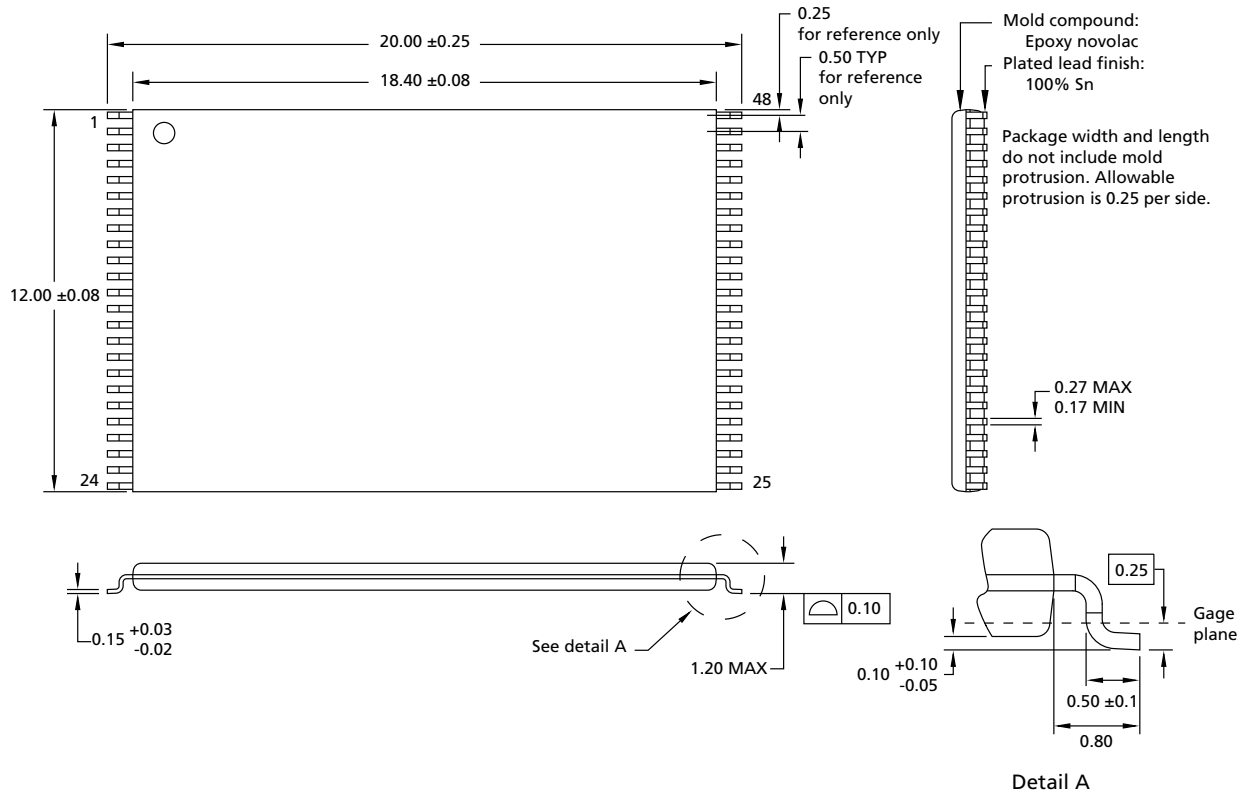
- Notes:
1. N/A: This signal is tri-stated when the asynchronous interface is active.
 2. These signals are available on quad die four CE# packages or octal die packages. They are NC for other configurations.



32Gb, 64Gb, 128Gb, 256Gb Asynchronous/Synchronous NAND Package Dimensions

Package Dimensions

Figure 6: 48-Pin TSOP – Type 1 CPL (Package Code: WP)

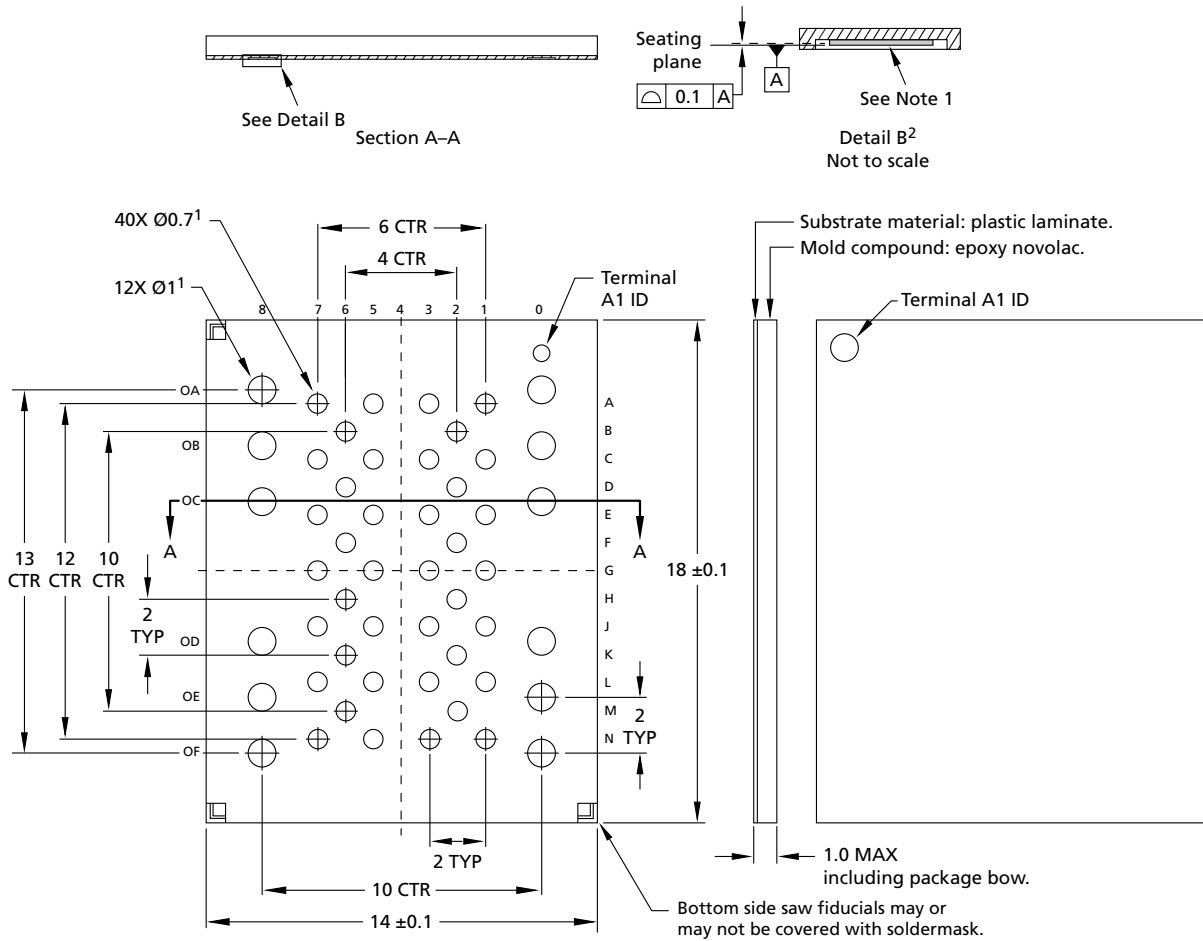


Note: 1. All dimensions are in millimeters.



32Gb, 64Gb, 128Gb, 256Gb Asynchronous/Synchronous NAND Package Dimensions

Figure 7: 52-Pad VLGA

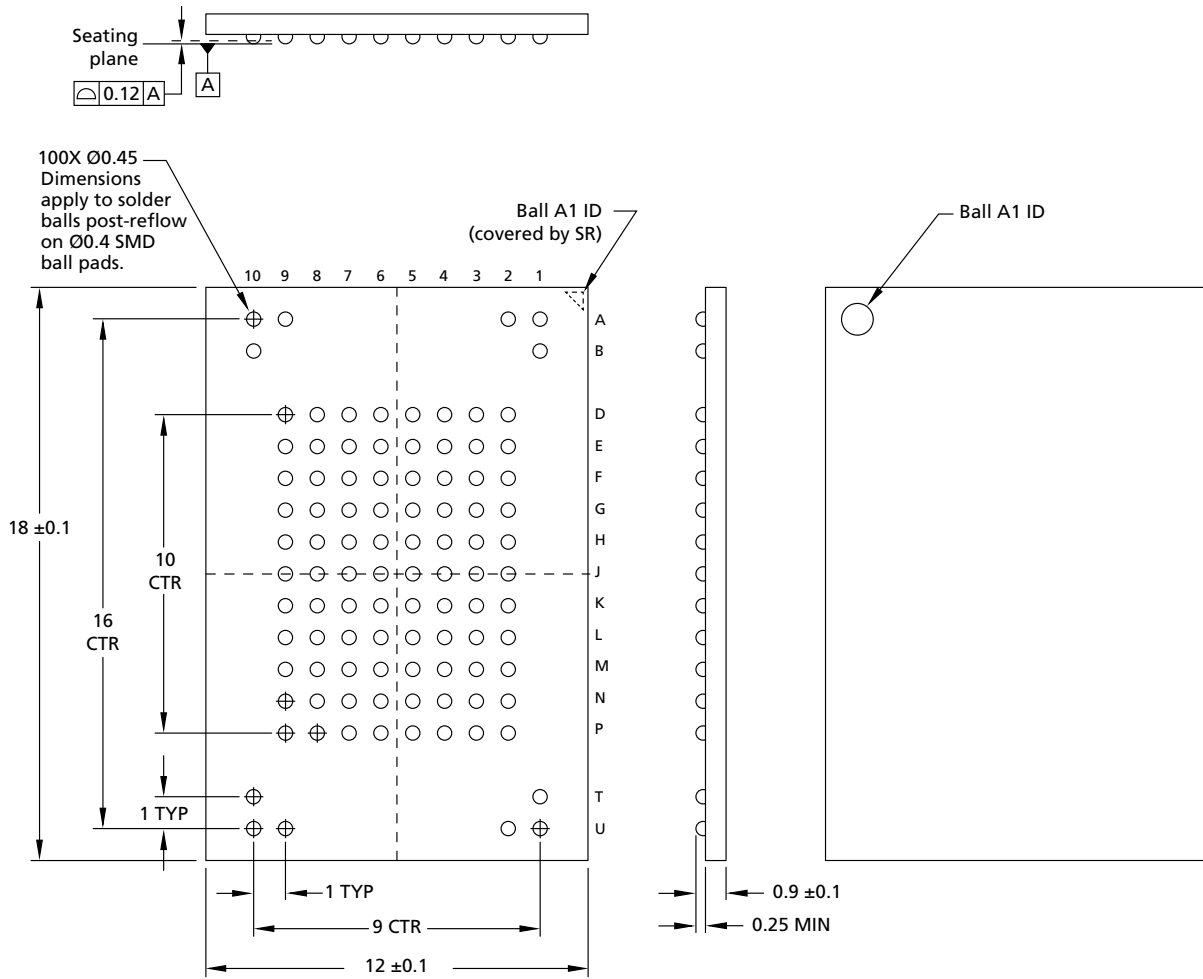


Note: 1. All dimensions are in millimeters.



32Gb, 64Gb, 128Gb, 256Gb Asynchronous/Synchronous NAND Package Dimensions

Figure 8: 100-Ball VBGA – 12mm x 18mm (Package Code: H1)

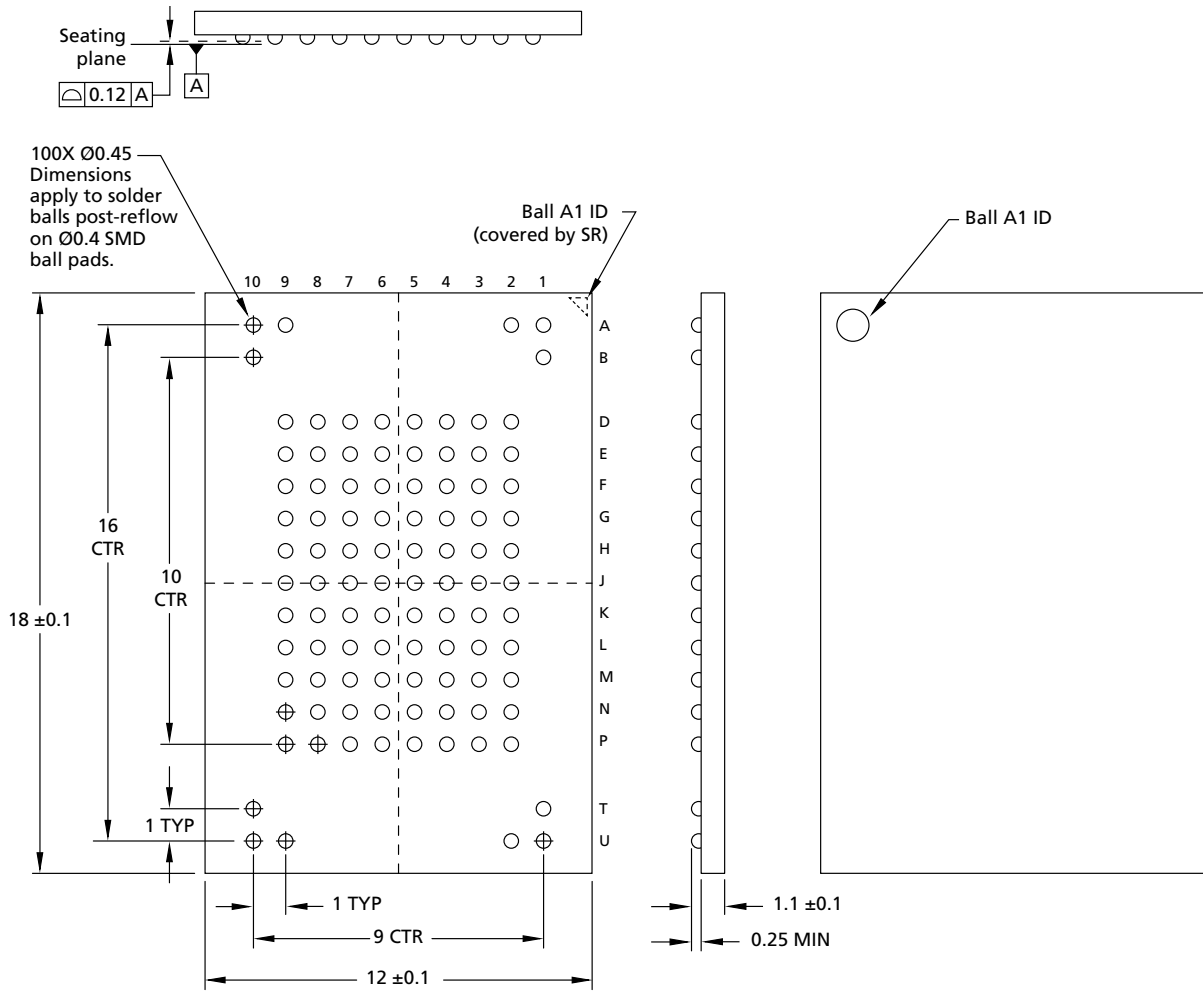


Note: 1. All dimensions are in millimeters.



32Gb, 64Gb, 128Gb, 256Gb Asynchronous/Synchronous NAND Package Dimensions

Figure 9: 100-Ball TBGA – 12mm x 18mm (Package Code: H2)

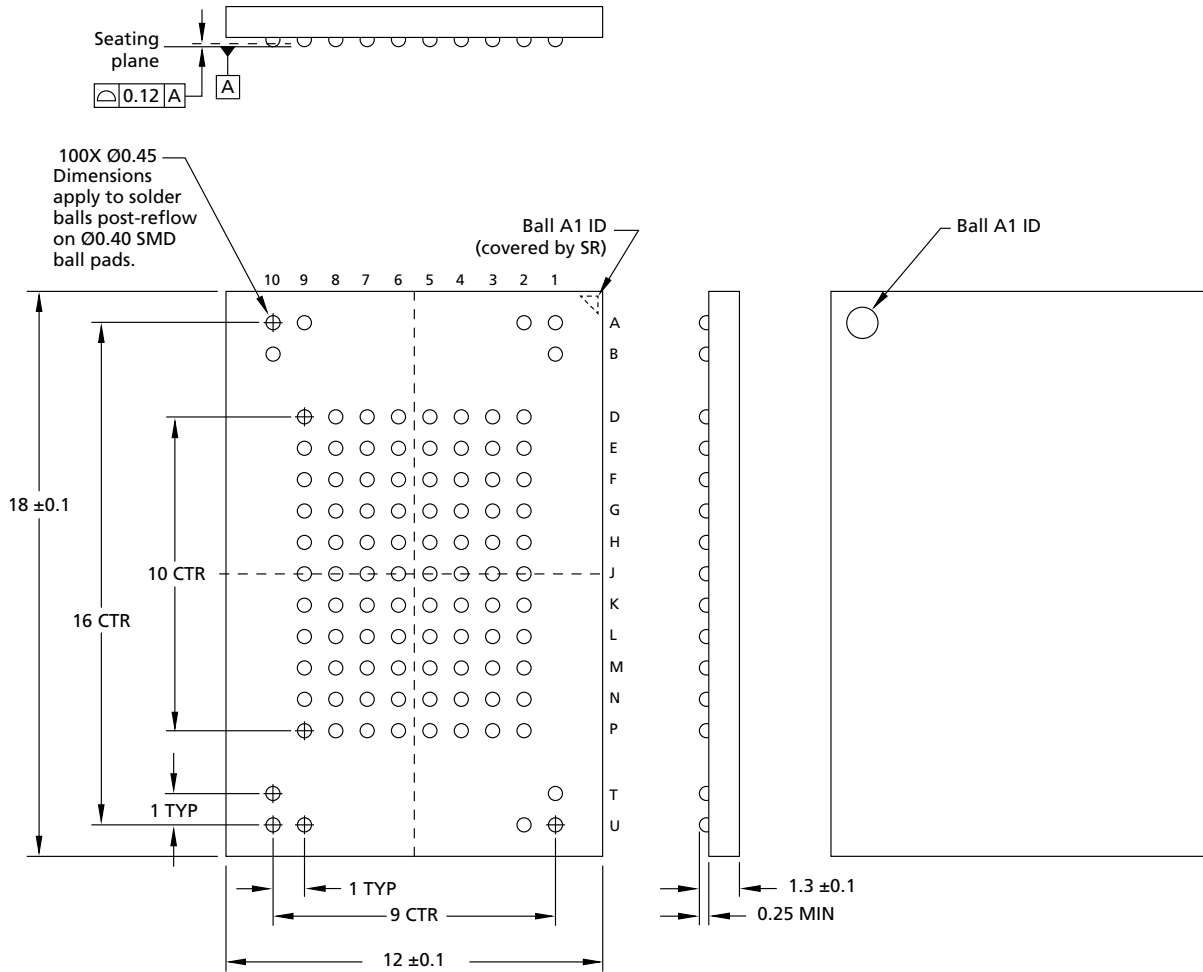


Note: 1. All dimensions are in millimeters.



32Gb, 64Gb, 128Gb, 256Gb Asynchronous/Synchronous NAND Package Dimensions

Figure 10: 100-Ball LBGAs – 12mm x 18mm (Package Code: H3)

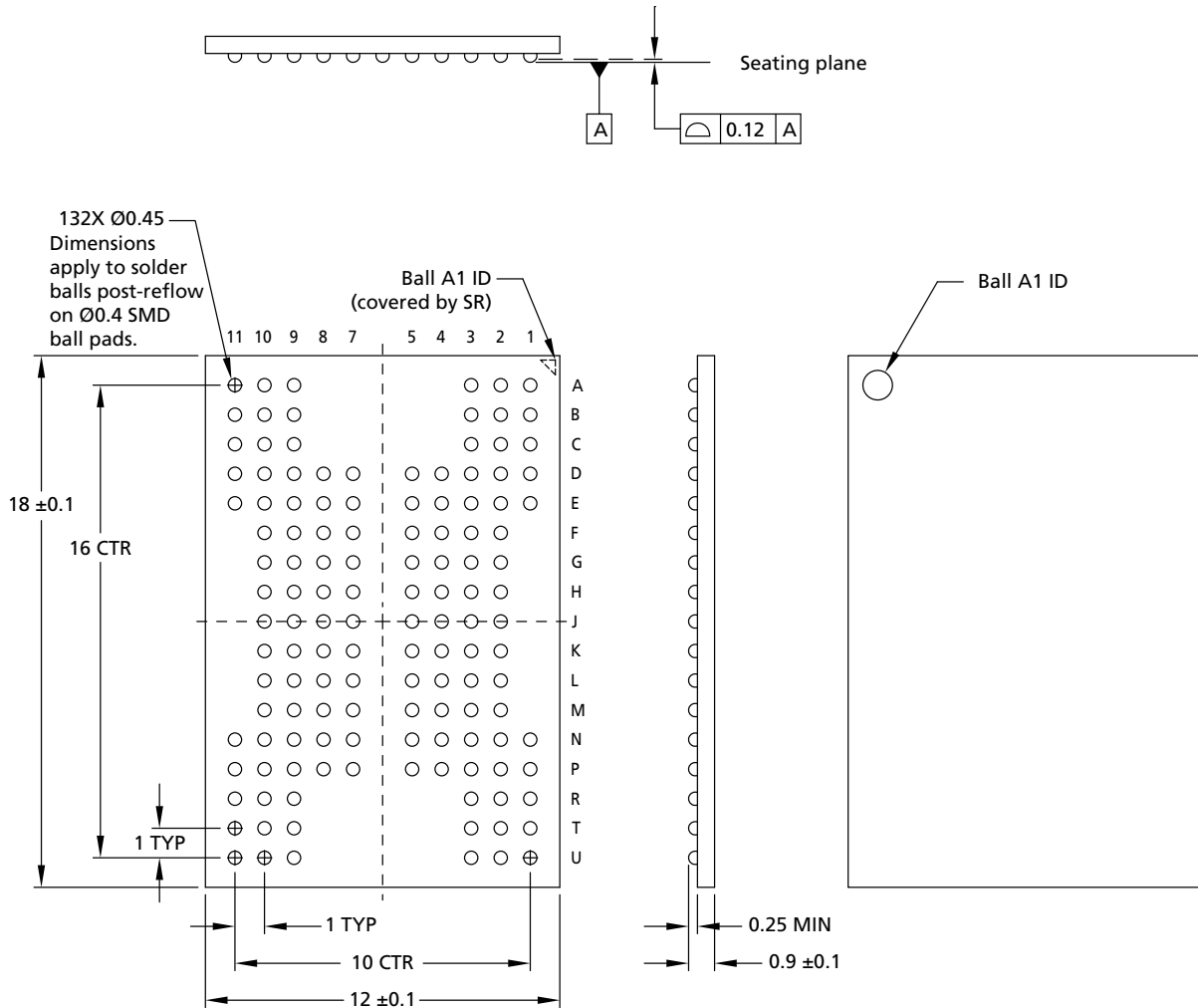


Note: 1. All dimensions are in millimeters.



32Gb, 64Gb, 128Gb, 256Gb Asynchronous/Synchronous NAND Package Dimensions

Figure 11: 132-Ball VBGA – 12mm x 18mm (Package Code: J1)

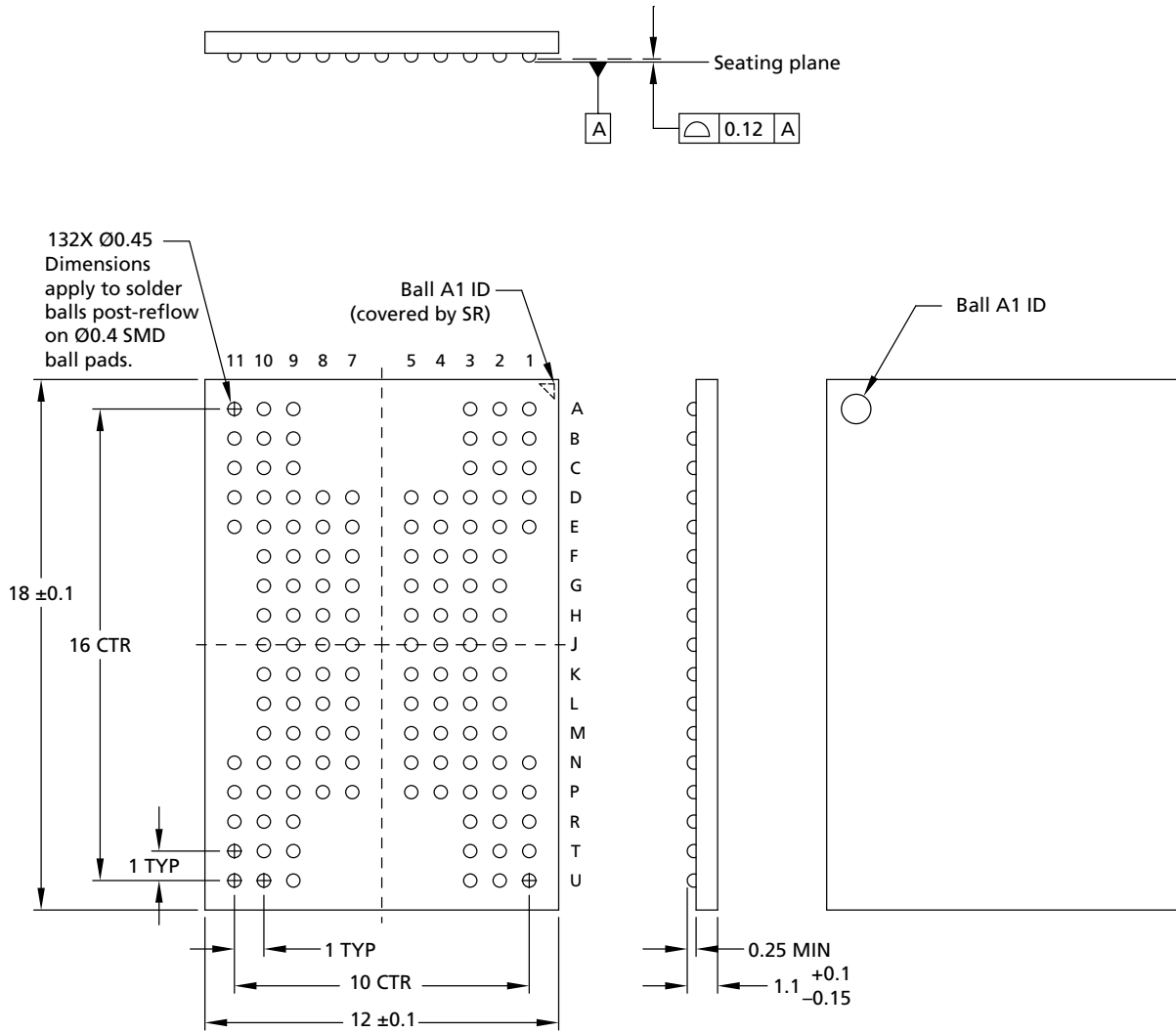


- Notes: 1. All dimensions are in millimeters.
 2. Solder ball material: SAC305 (96.5% Sn, 3% Ag, 0.5% Cu).



32Gb, 64Gb, 128Gb, 256Gb Asynchronous/Synchronous NAND Package Dimensions

Figure 12: 132-Ball TBGA – 12mm x 18mm (Package Code: J2)

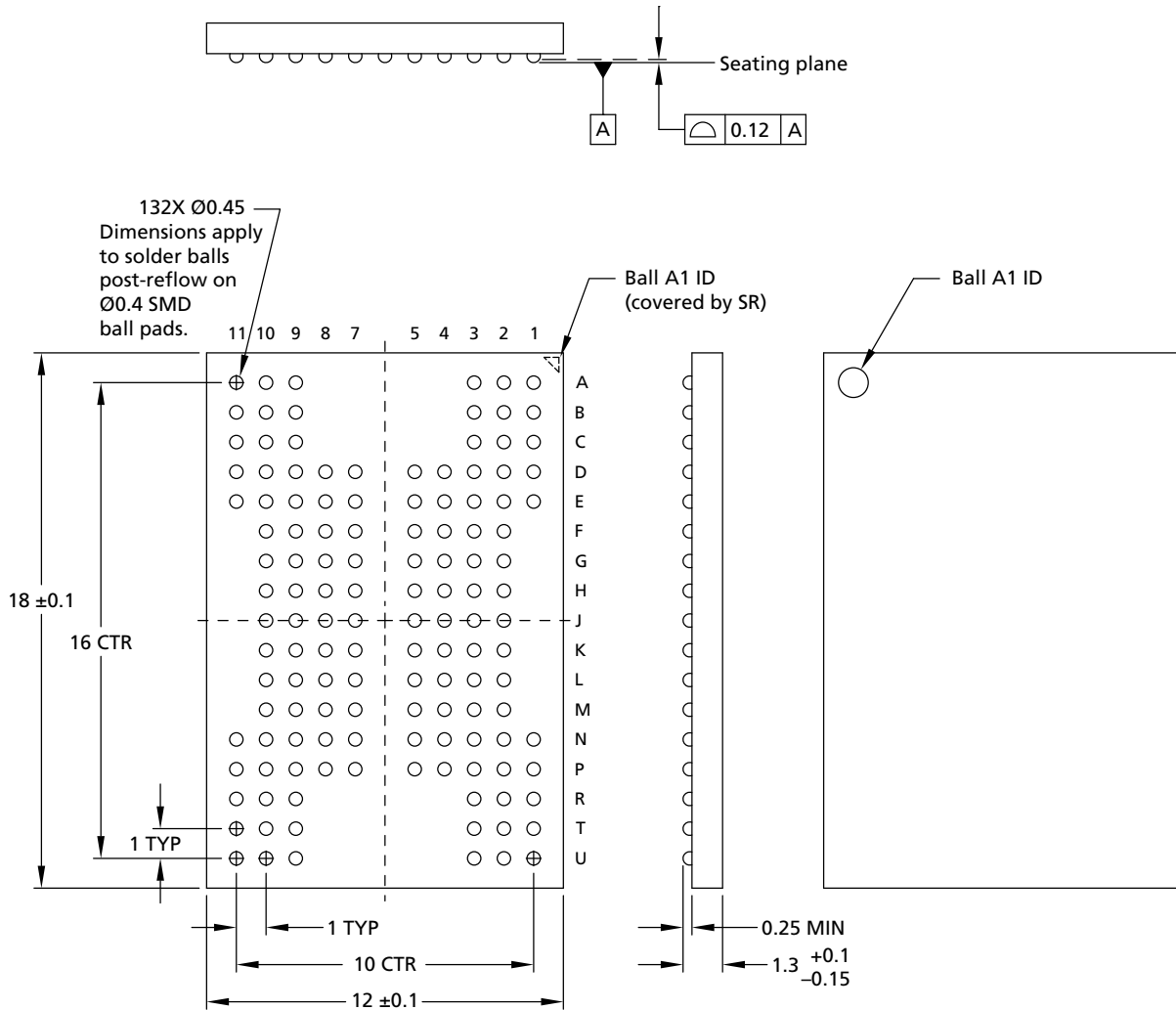


- Notes: 1. All dimensions are in millimeters.
 2. Solder ball material: SAC305 (96.5% Sn, 3% Ag, 0.5% Cu).



32Gb, 64Gb, 128Gb, 256Gb Asynchronous/Synchronous NAND Package Dimensions

Figure 13: 132-Ball LBGAs – 12mm x 18mm (Package Code: J3)



- Notes: 1. All dimensions are in millimeters.
 2. Solder ball material: SAC305 (96.5% Sn, 3% Ag, 0.5% Cu).



Architecture

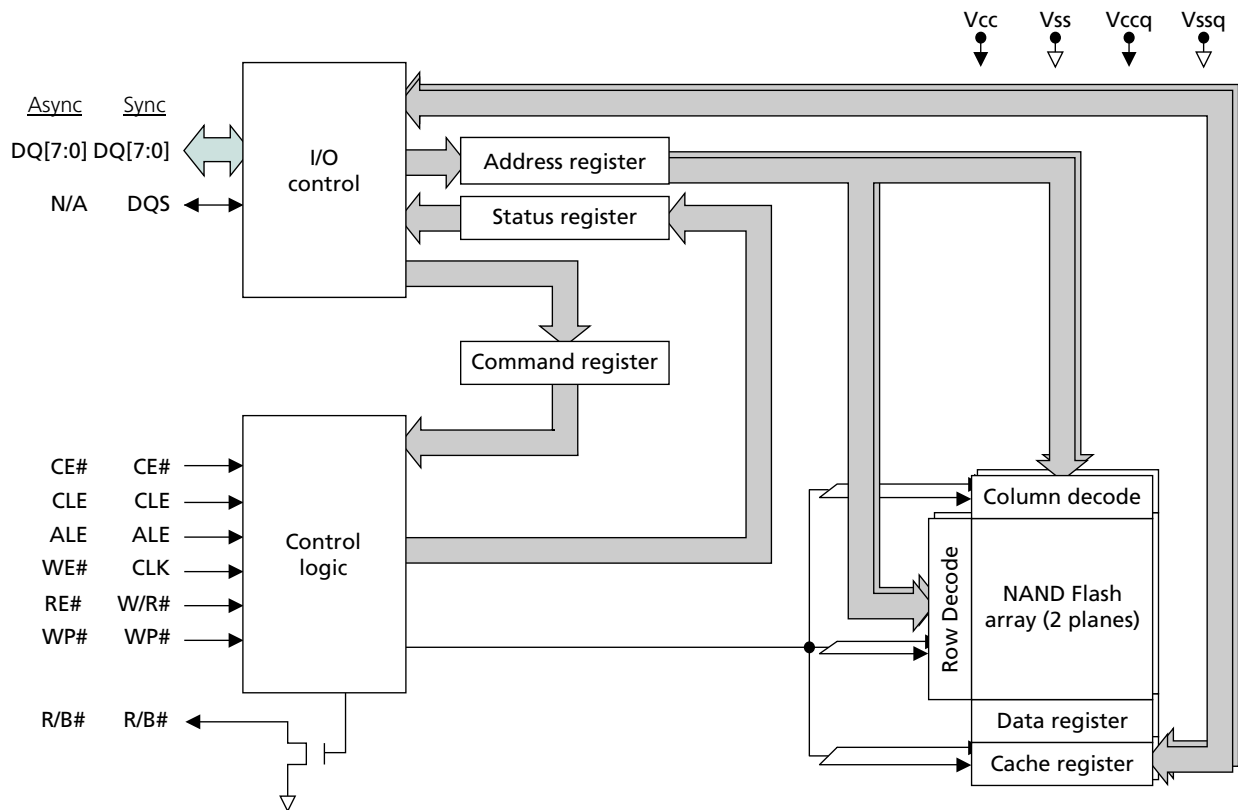
These devices use NAND Flash electrical and command interfaces. Data, commands, and addresses are multiplexed onto the same pins and received by I/O control circuits. The commands received at the I/O control circuits are latched by a command register and are transferred to control logic circuits for generating internal signals to control device operations. The addresses are latched by an address register and sent to a row decoder to select a row address, or to a column decoder to select a column address.

Data is transferred to or from the NAND Flash memory array, byte by byte, through a data register and a cache register.

The NAND Flash memory array is programmed and read using page-based operations and is erased using block-based operations. During normal page operations, the data and cache registers act as a single register. During cache operations, the data and cache registers operate independently to increase data throughput.

The status register reports the status of die (LUN) operations.

Figure 14: NAND Flash Die (LUN) Functional Block Diagram

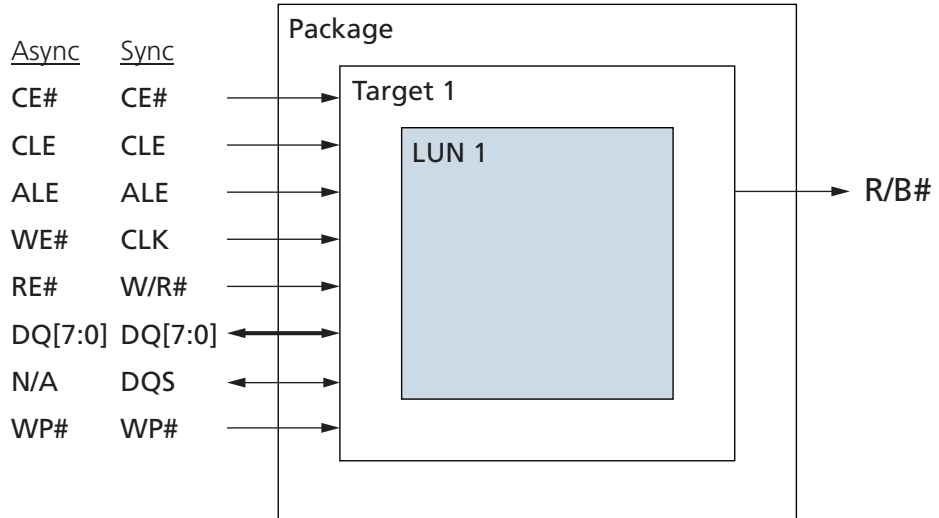


- Notes:
1. N/A: This signal is tri-stated when the asynchronous interface is active.
 2. Some devices do not include the synchronous interface.



Device and Array Organization

Figure 15: Device Organization for Single-Die Package (TSOP/BGA)

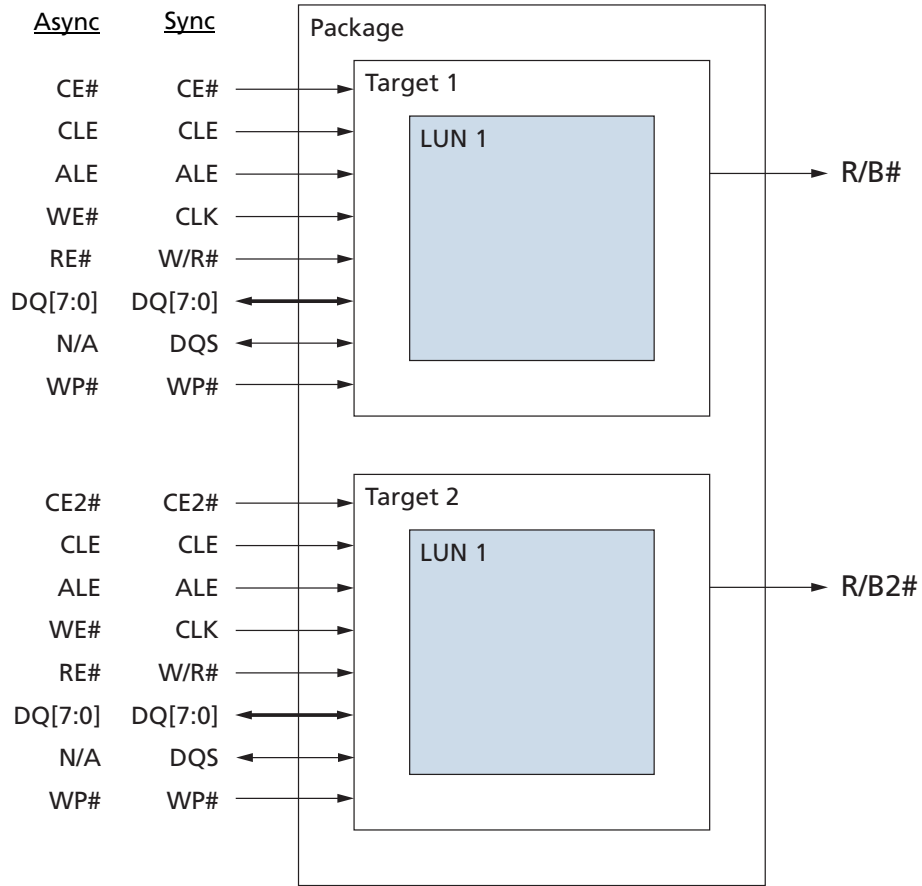


Note: 1. TSOP devices do not support the synchronous interface.



32Gb, 64Gb, 128Gb, 256Gb Asynchronous/Synchronous NAND Device and Array Organization

Figure 16: Device Organization for Two-Die Package (TSOP)

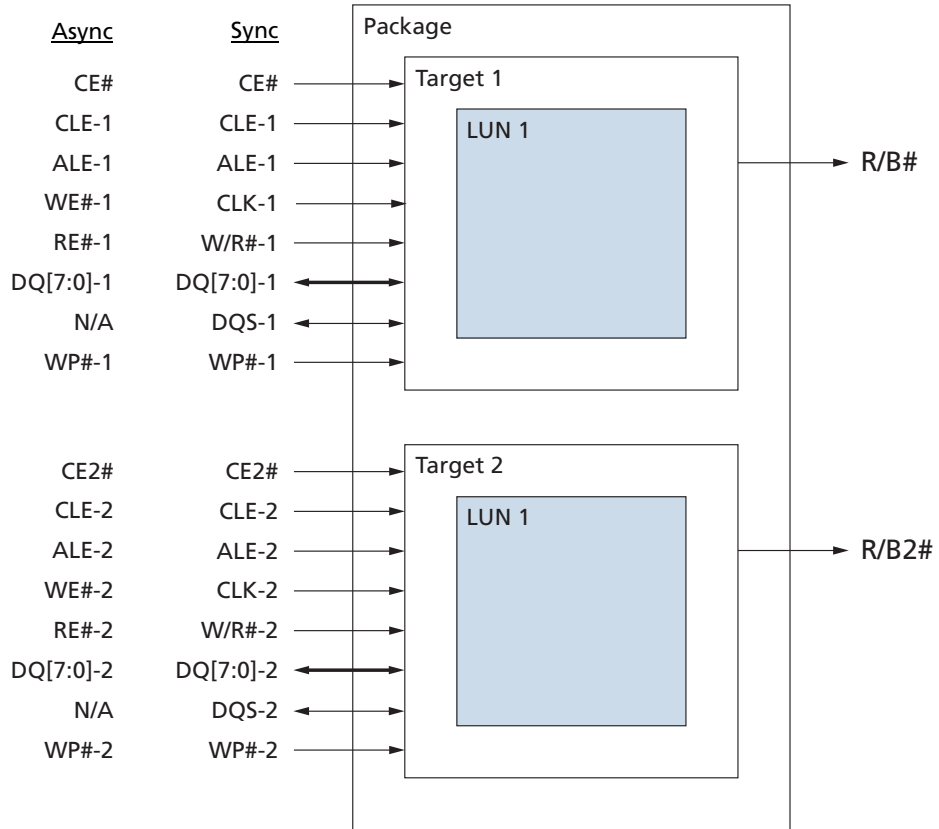


Note: 1. TSOP devices do not support the synchronous interface.



32Gb, 64Gb, 128Gb, 256Gb Asynchronous/Synchronous NAND Device and Array Organization

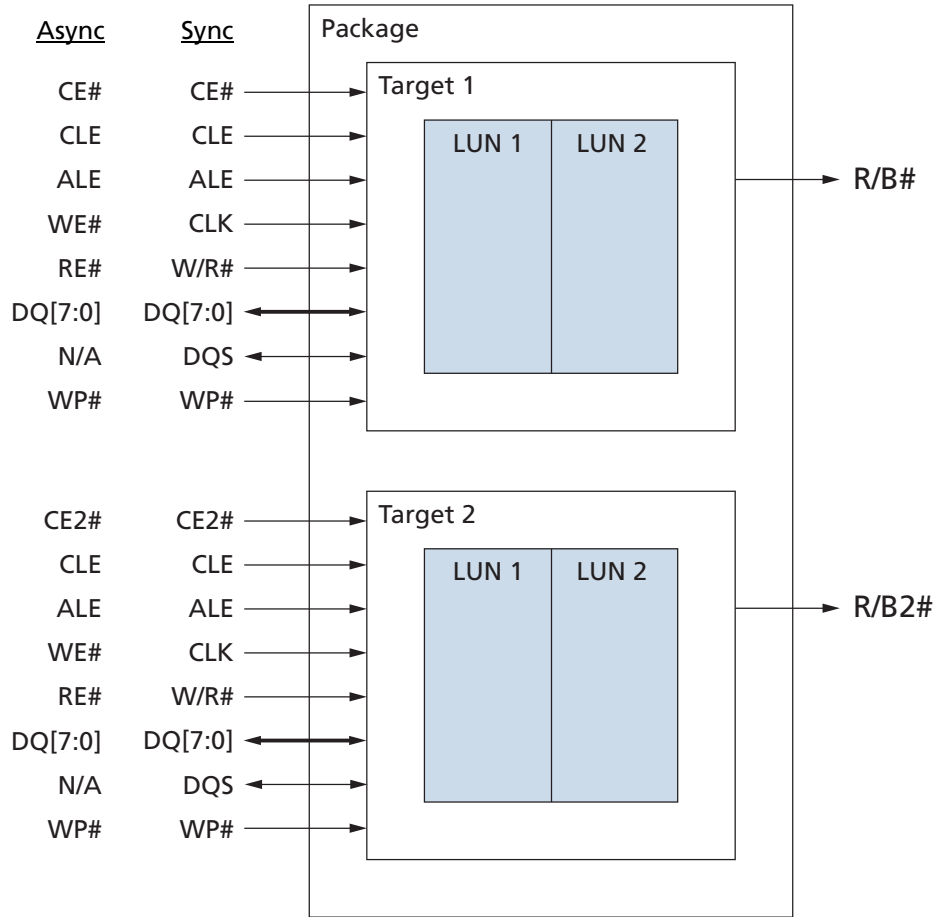
Figure 17: Device Organization for Two-Die Package (BGA)





32Gb, 64Gb, 128Gb, 256Gb Asynchronous/Synchronous NAND Device and Array Organization

Figure 18: Device Organization for Four-Die Package (TSOP)

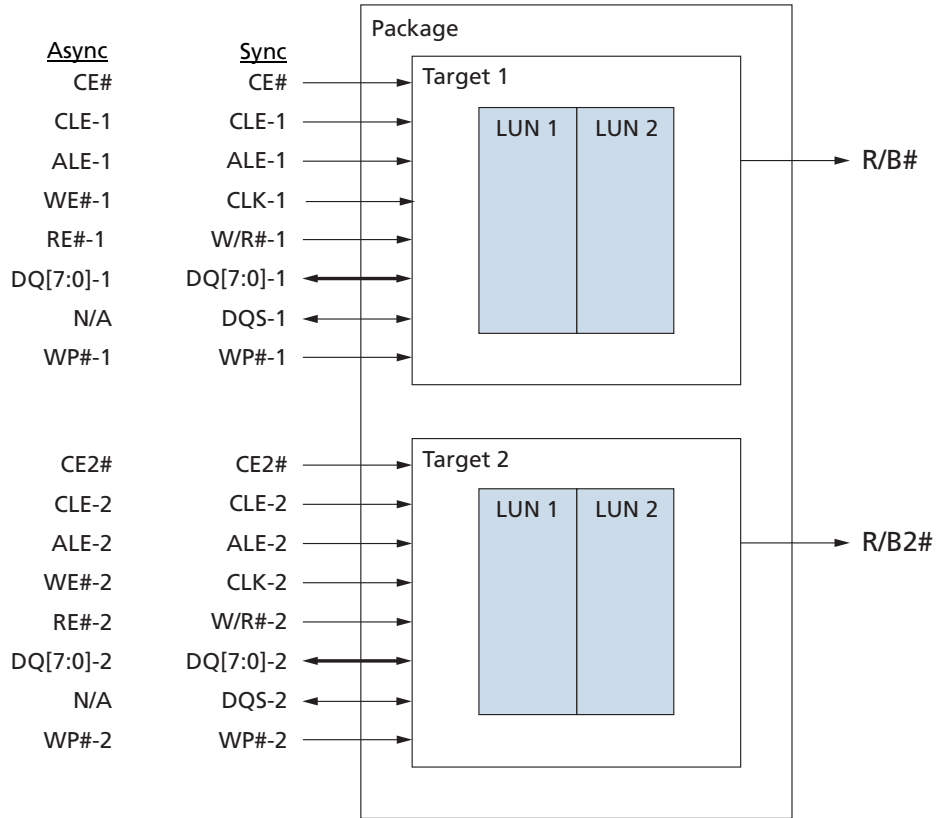


Note: 1. TSOP devices do not support the synchronous interface.



32Gb, 64Gb, 128Gb, 256Gb Asynchronous/Synchronous NAND Device and Array Organization

Figure 19: Device Organization for Four-Die Package with CE# and CE2# (BGA/LGA)

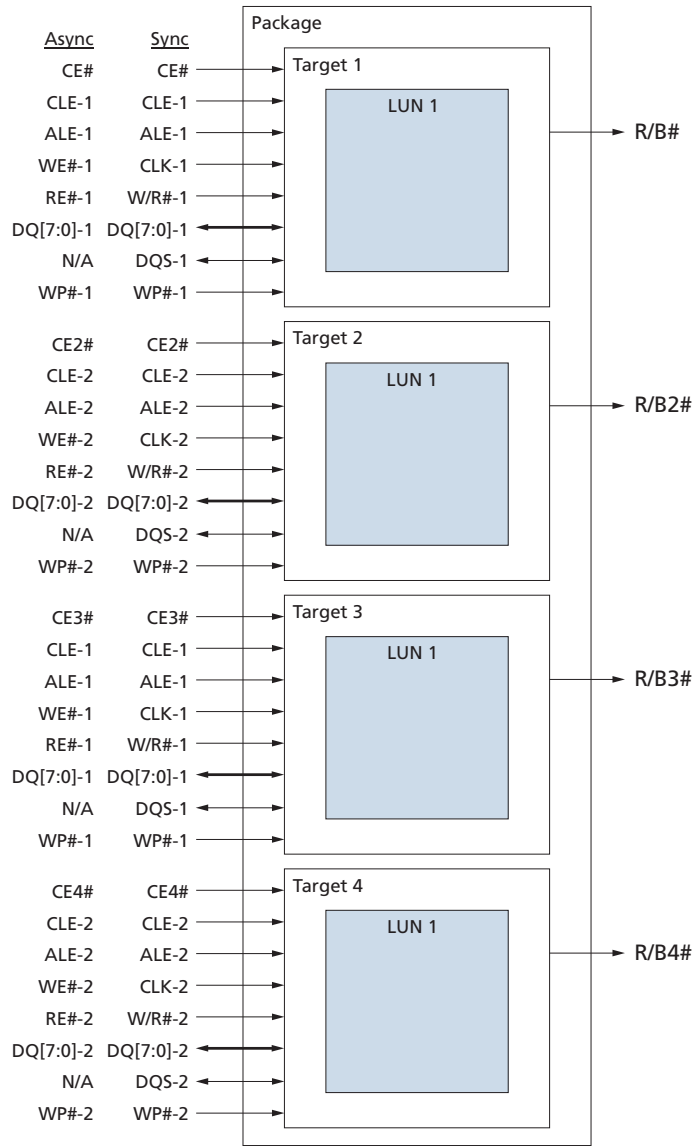


Note: 1. LGA devices do not support the synchronous interface.



32Gb, 64Gb, 128Gb, 256Gb Asynchronous/Synchronous NAND Device and Array Organization

Figure 20: Device Organization for Four-Die Package with CE#, CE2#, CE3#, and CE4# (BGA/LGA)

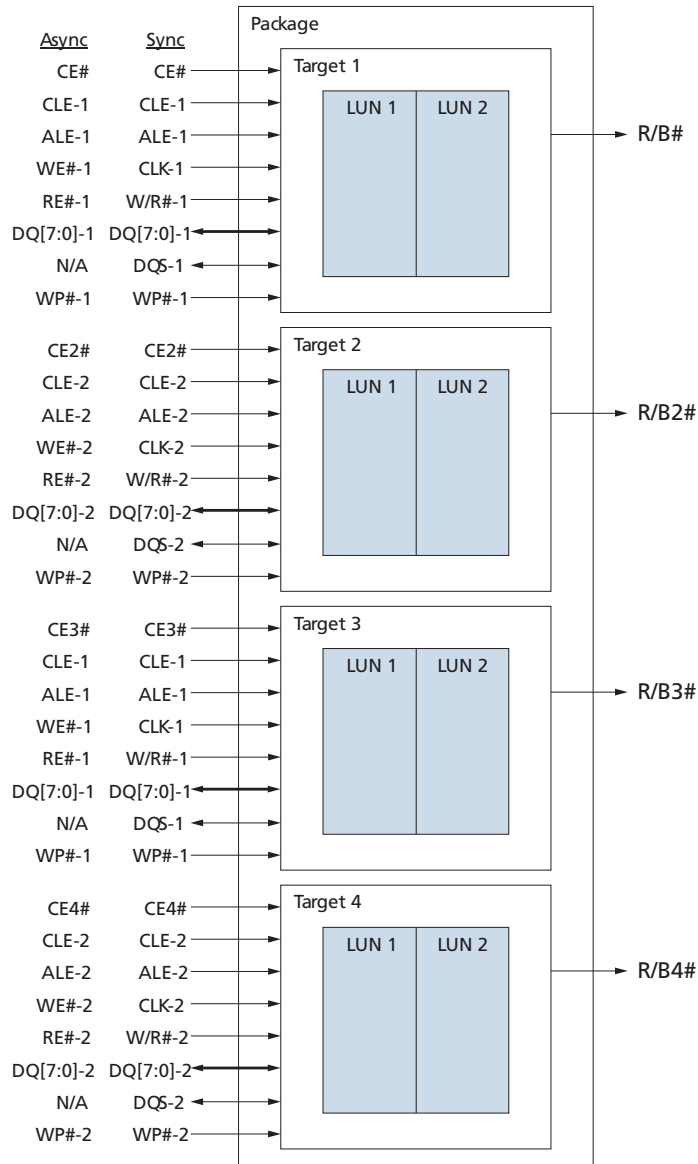


Note: 1. LGA devices do not support the synchronous interface.



32Gb, 64Gb, 128Gb, 256Gb Asynchronous/Synchronous NAND Device and Array Organization

Figure 21: Device Organization for Eight-Die Package (BGA/LGA)



Note: 1. LGA devices do not support the synchronous interface.



32Gb, 64Gb, 128Gb, 256Gb Asynchronous/Synchronous NAND Device and Array Organization

Figure 22: Array Organization per Logical Unit (LUN)

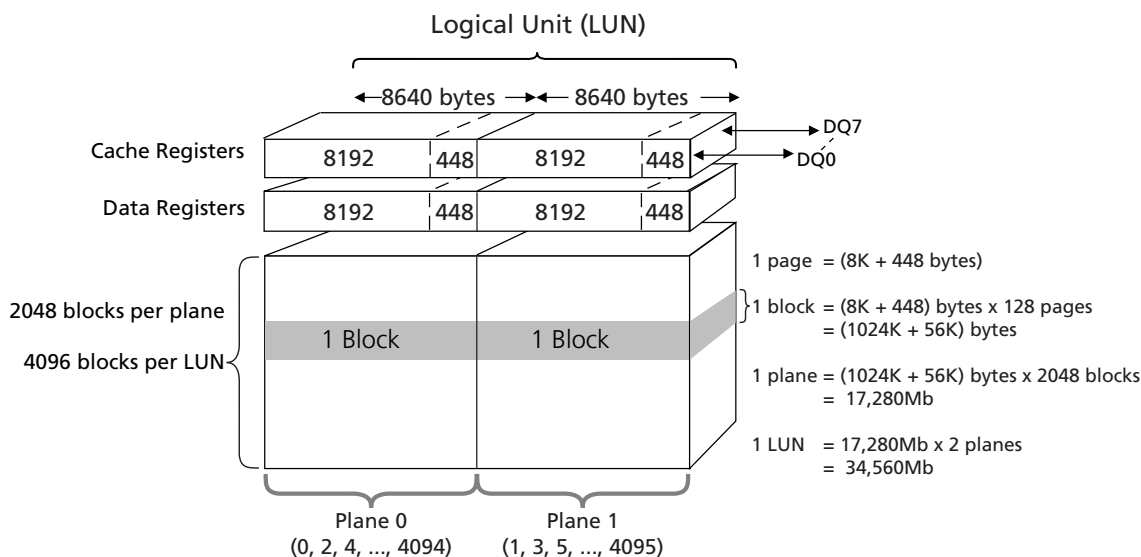


Table 2: Array Addressing for Logical Unit (LUN)

Cycle	DQ7	DQ6	DQ5	DQ4	DQ3	DQ2	DQ1	DQ0
First	CA7	CA6	CA5	CA4	CA3	CA2	CA1	CA0 ²
Second	LOW	LOW	CA13 ³	CA12	CA11	CA10	CA9	CA8
Third	BA7 ⁴	PA6	PA5	PA4	PA3	PA2	PA1	PA0
Fourth	BA15	BA14	BA13	BA12	BA11	BA10	BA9	BA8
Fifth	LOW	LOW	LOW	LOW	LA0 ⁵	BA18	BA17	BA16

- Notes:
1. CAx = column address, PAx = page address, BAx = block address, LAx = LUN address; the page address, block address, and LUN address are collectively called the row address.
 2. When using the synchronous interface, CA0 is forced to 0 internally; one data cycle always returns one even byte and one odd byte.
 3. Column addresses 8640 (21C0h) through 16,383 (3FFFh) are invalid, out of bounds, do not exist in the device, and cannot be addressed.
 4. BA[7] is the plane-select bit:
Plane 0: BA[7] = 0
Plane 1: BA[7] = 1
 5. LA0 is the LUN-select bit. It is present only when two LUNs are shared on the target; otherwise, it should be held LOW.
LUN 0: LA0 = 0
LUN 1: LA0 = 1



Bus Operation – Asynchronous Interface

The asynchronous interface is active when the NAND Flash device powers on. The I/O bus, DQ[7:0], is multiplexed sharing data I/O, addresses, and commands. The DQS signal, if present, is tri-stated when the asynchronous interface is active.

Asynchronous interface bus modes are summarized below.

Table 3: Asynchronous Interface Mode Selection

Mode	CE#	CLE	ALE	WE#	RE#	DQS	DQx	WP#	Notes
Standby	H	X	X	X	X	X	X	0V/V _{CCQ} ²	2
Bus idle	L	X	X	H	H	X	X	X	
Command input	L	H	L		H	X	input	H	
Address input	L	L	H		H	X	input	H	
Data input	L	L	L		H	X	input	H	
Data output	L	L	L	H		X	output	X	
Write protect	X	X	X	X	X	X	X	L	

- Notes:
1. DQS is tri-stated when the asynchronous interface is active.
 2. WP# should be biased to CMOS LOW or HIGH for standby.
 3. Mode selection settings for this table: H = Logic level HIGH; L = Logic level LOW; X = V_{IH} or V_{IL}.

Asynchronous Enable/Standby

A chip enable (CE#) signal is used to enable or disable a target. When CE# is driven LOW, all of the signals for that target are enabled. With CE# LOW, the target can accept commands, addresses, and data I/O. There may be more than one target in a NAND Flash package. Each target is controlled by its own chip enable; the first target (Target 0) is controlled by CE#; the second target (if present) is controlled by CE2#, etc.

A target is disabled when CE# is driven HIGH, even when the target is busy. When disabled, all of the target's signals are disabled except CE#, WP#, and R/B#. This functionality is also known as CE# "Don't Care". While the target is disabled, other devices can utilize the disabled NAND signals that are shared with the NAND Flash.

A target enters low-power standby when it is disabled and is not busy. If the target is busy when it is disabled, the target enters standby after all of the die (LUNs) complete their operations. Standby helps reduce power consumption.

Asynchronous Bus Idle

A target's bus is idle when CE# is LOW, WE# is HIGH, and RE# is HIGH.

During bus idle, all of the signals are enabled except DQS, which is not used when the asynchronous interface is active. No commands, addresses, and data are latched into the target; no data is output.



Asynchronous Pausing Data Input/Output

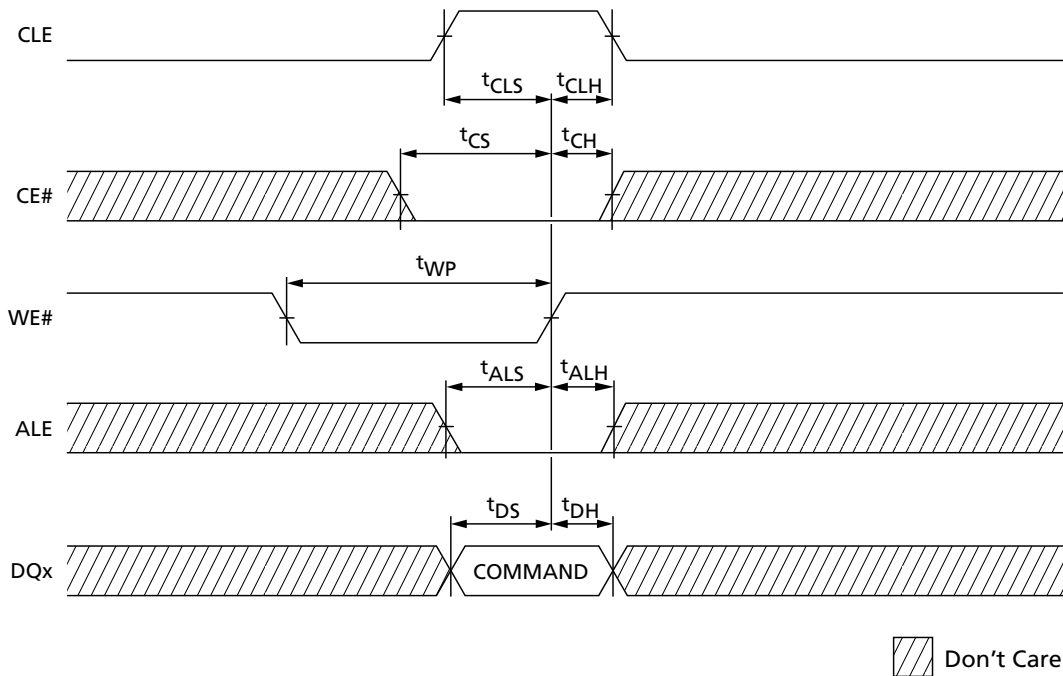
Pausing data input or data output is done by keeping WE# or RE# HIGH, respectively.

Asynchronous Commands

An asynchronous command is written from DQ[7:0] to the command register on the rising edge of WE# when CE# is LOW, ALE is LOW, CLE is HIGH, and RE# is HIGH.

Commands are typically ignored by die (LUNs) that are busy (RDY = 0); however, some commands, including READ STATUS (70h) and READ STATUS ENHANCED (78h), are accepted by die (LUNs) even when they are busy.

Figure 23: Asynchronous Command Latch Cycle





32Gb, 64Gb, 128Gb, 256Gb Asynchronous/Synchronous NAND Bus Operation – Asynchronous Interface

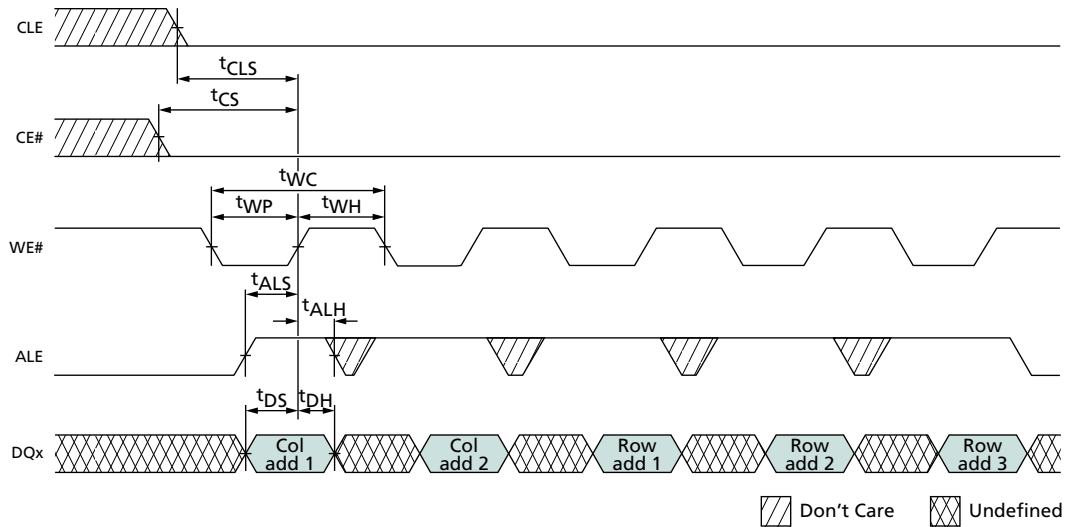
Asynchronous Addresses

An asynchronous address is written from DQ[7:0] to the address register on the rising edge of WE# when CE# is LOW, ALE is HIGH, CLE is LOW, and RE# is HIGH.

Bits that are not part of the address space must be LOW (see Device and Array Organization). The number of cycles required for each command varies. Refer to the command descriptions to determine addressing requirements (see Command Definitions).

Addresses are typically ignored by die (LUNs) that are busy (RDY = 0); however, some addresses are accepted by die (LUNs) even when they are busy; for example, address cycles that follow the READ STATUS ENHANCED (78h) command.

Figure 24: Asynchronous Address Latch Cycle





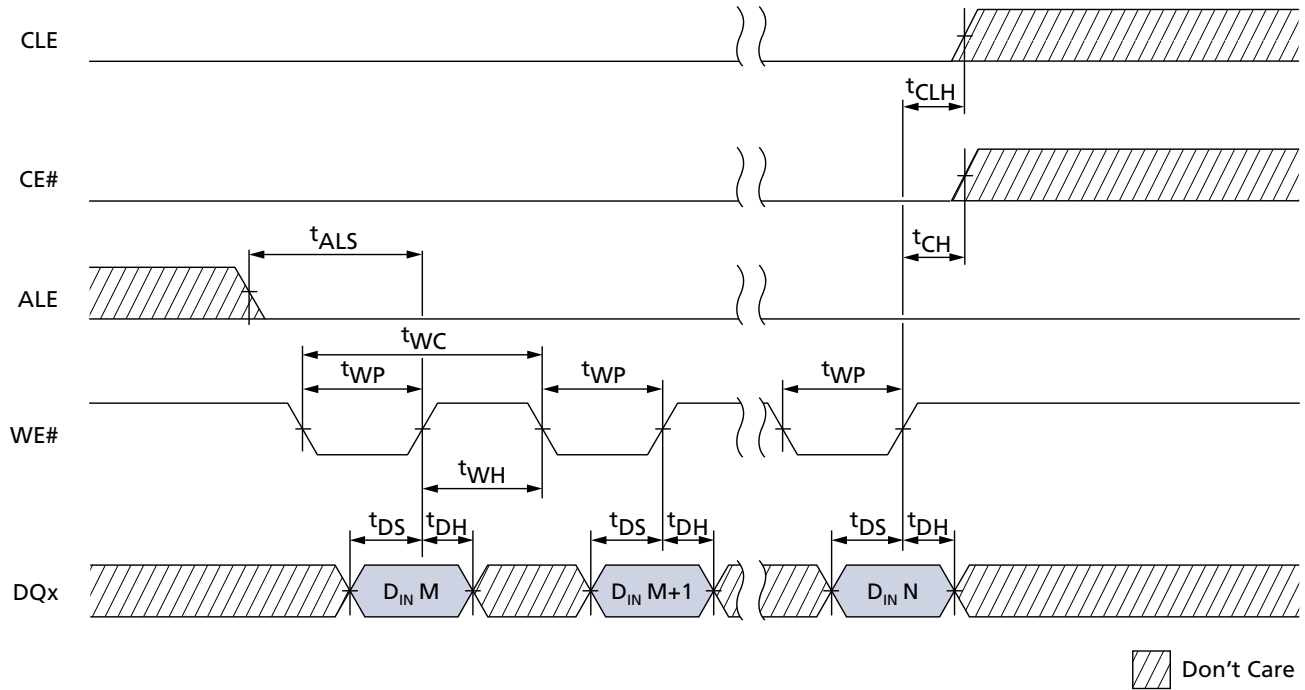
32Gb, 64Gb, 128Gb, 256Gb Asynchronous/Synchronous NAND Bus Operation – Asynchronous Interface

Asynchronous Data Input

Data is written from DQ[7:0] to the cache register of the selected die (LUN) on the rising edge of WE# when CE# is LOW, ALE is LOW, CLE is LOW, and RE# is HIGH.

Data input is ignored by die (LUNs) that are not selected or are busy (RDY = 0).

Figure 25: Asynchronous Data Input Cycles





Asynchronous Data Output

Data can be output from a die (LUN) if it is in a READY state. Data output is supported following a READ operation from the NAND Flash array. Data is output from the cache register of the selected die (LUN) to DQ[7:0] on the falling edge of RE# when CE# is LOW, ALE is LOW, CLE is LOW, and WE# is HIGH.

If the host controller is using a t_{RC} of 30ns or greater, the host can latch the data on the rising edge of RE# (see Figure 26 for proper timing). If the host controller is using a t_{RC} of less than 30ns, the host can latch the data on the next falling edge of RE# (see Figure 27 (page 37) for extended data output (EDO) timing).

Using the READ STATUS ENHANCED (78h) command prevents data contention following an interleaved die (multi-LUN) operation. After issuing the READ STATUS ENHANCED (78h) command, to enable data output, issue the READ MODE (00h) command.

Data output requests are typically ignored by a die (LUN) that is busy (RDY = 0); however, it is possible to output data from the status register even when a die (LUN) is busy by first issuing the READ STATUS (70h) or READ STATUS ENHANCED (78h) command.

Figure 26: Asynchronous Data Output Cycles

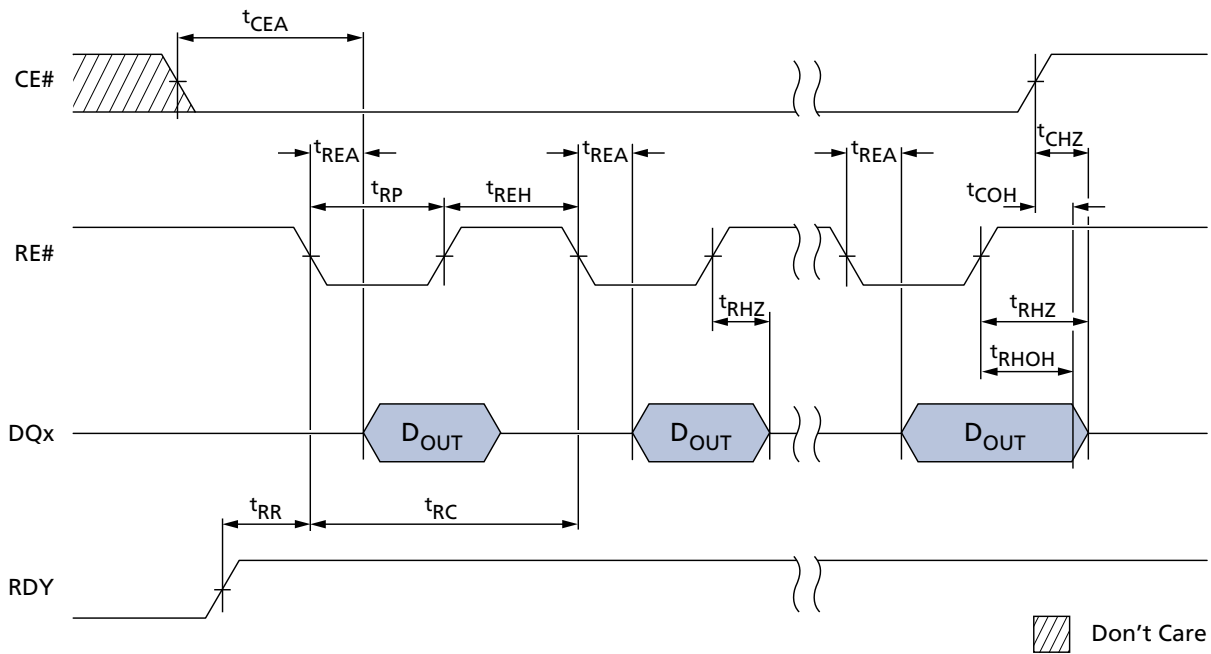
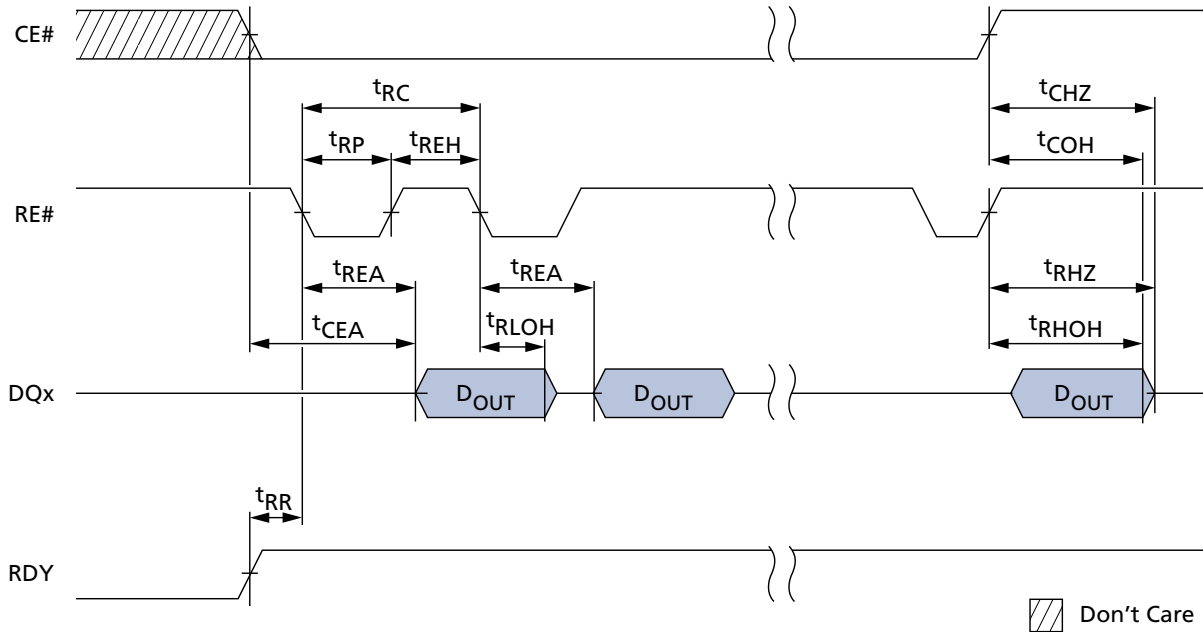




Figure 27: Asynchronous Data Output Cycles (EDO Mode)



Write Protect

The write protect# (WP#) signal enables or disables PROGRAM and ERASE operations to a target. When WP# is LOW, PROGRAM and ERASE operations are disabled. When WP# is HIGH, PROGRAM and ERASE operations are enabled.

It is recommended that the host drive WP# LOW during power-on until Vcc and Vccq are stable to prevent inadvertent PROGRAM and ERASE operations (see Device Initialization for additional details).

WP# must be transitioned only when the target is not busy and prior to beginning a command sequence. After a command sequence is complete and the target is ready, WP# can be transitioned. After WP# is transitioned, the host must wait t_{WW} before issuing a new command.

The WP# signal is always an active input, even when CE# is HIGH. This signal should not be multiplexed with other signals.

Ready/Busy#

The ready/busy# (R/B#) signal provides a hardware method of indicating whether a target is ready or busy. A target is busy when one or more of its die (LUNs) are busy (RDY = 0). A target is ready when all of its die (LUNs) are ready (RDY = 1). Because each die (LUN) contains a status register, it is possible to determine the independent status of each die (LUN) by polling its status register instead of using the R/B# signal (see Status Operations for details regarding die (LUN) status).

This signal requires a pull-up resistor, R_p , for proper operation. R/B# is HIGH when the target is ready, and transitions LOW when the target is busy. The signal's open-drain



32Gb, 64Gb, 128Gb, 256Gb Asynchronous/Synchronous NAND Bus Operation – Asynchronous Interface

driver enables multiple R/B# outputs to be OR-tied. Typically, R/B# is connected to an interrupt pin on the system controller (see Figure 28 (page 38)).

The combination of R_p and capacitive loading of the R/B# circuit determines the rise time of the R/B# signal. The actual value used for R_p depends on the system timing requirements. Large values of R_p cause R/B# to be delayed significantly. Between the 10- to 90-percent points on the R/B# waveform, the rise time is approximately two time constants (TC).

$$TC = R \times C$$

Where $R = R_p$ (resistance of pull-up resistor), and $C =$ total capacitive load.

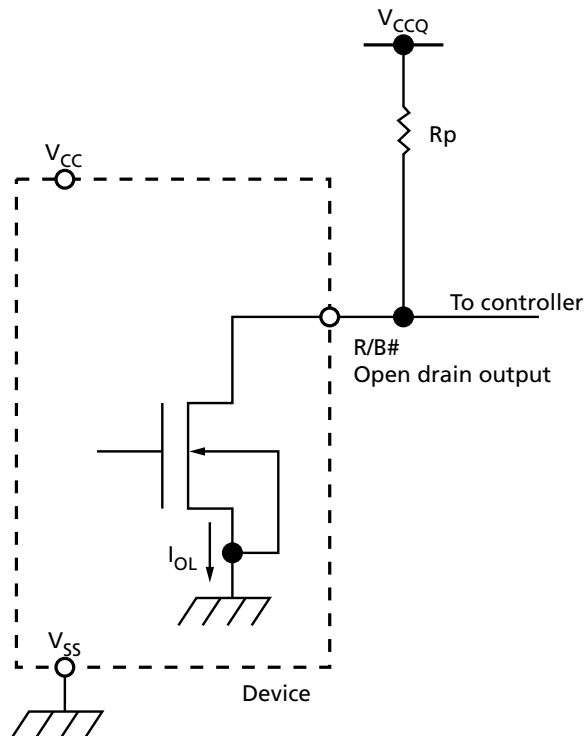
The fall time of the R/B# signal is determined mainly by the output impedance of the R/B# signal and the total load capacitance. Approximate R_p values using a circuit load of 100pF are provided in Figure 33 (page 41).

The minimum value for R_p is determined by the output drive capability of the R/B# signal, the output voltage swing, and V_{CCQ} .

$$R_p = \frac{V_{CC} \text{ (MAX)} - V_{OL} \text{ (MAX)}}{I_{OL} + \Sigma i_l}$$

Where Σi_l is the sum of the input currents of all devices tied to the R/B# pin.

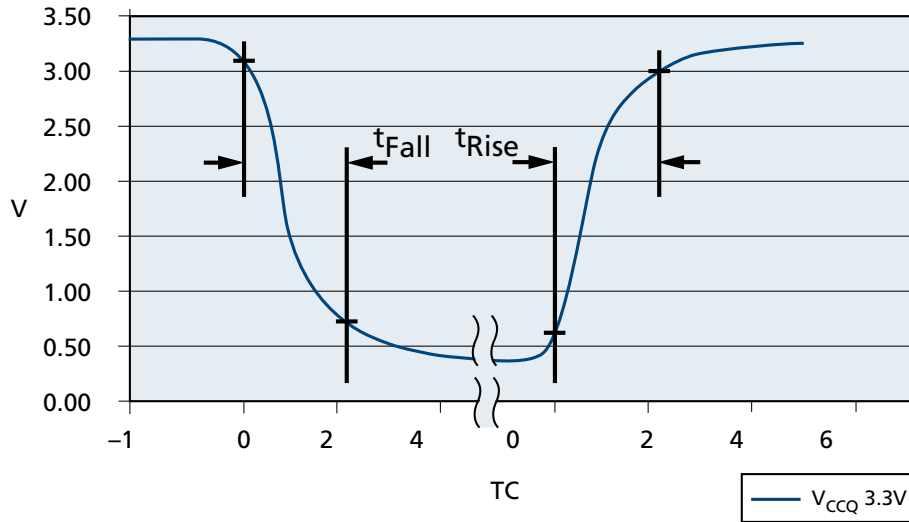
Figure 28: READ/BUSY# Open Drain





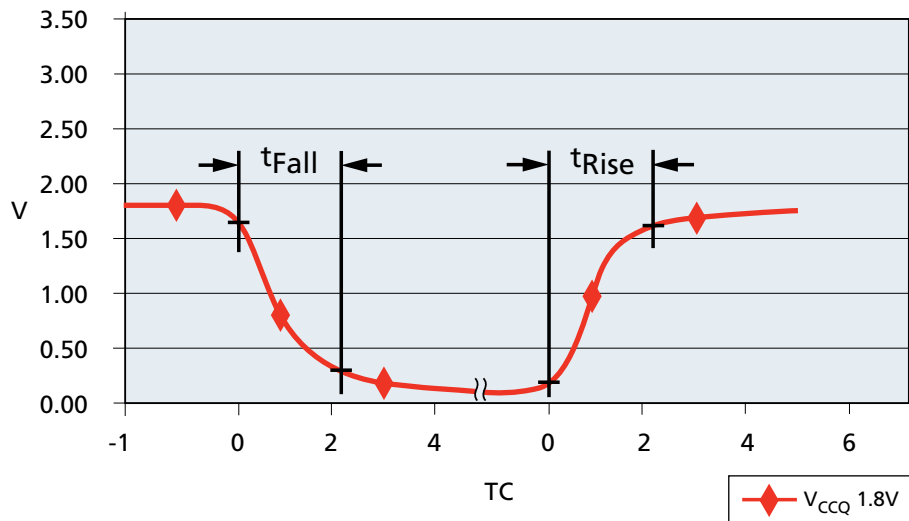
32Gb, 64Gb, 128Gb, 256Gb Asynchronous/Synchronous NAND Bus Operation – Asynchronous Interface

Figure 29: t_{Fall} and t_{Rise} ($V_{CCQ} = 2.7-3.6V$)



- Notes:
1. t_{FALL} is $V_{OH(DC)}$ to $V_{OL(AC)}$ and t_{RISE} is $V_{OL(DC)}$ to $V_{OH(AC)}$.
 2. t_{Rise} dependent on external capacitance and resistive loading and output transistor impedance.
 3. t_{Rise} primarily dependent on external pull-up resistor and external capacitive loading.
 4. $t_{Fall} = 10ns$ at 3.3V
 5. See TC values in Figure 33 (page 41) for approximate R_p value and TC.

Figure 30: t_{Fall} and t_{Rise} ($V_{CCQ} = 1.7-1.95V$)



- Notes:
1. t_{FALL} is $V_{OH(DC)}$ to $V_{OL(AC)}$ and t_{RISE} is $V_{OL(DC)}$ to $V_{OH(AC)}$.
 2. t_{Rise} is primarily dependent on external pull-up resistor and external capacitive loading.
 3. $t_{Fall} \approx 7ns$ at 1.8V.
 4. See TC values in Figure 33 (page 41) for TC and approximate R_p value.



32Gb, 64Gb, 128Gb, 256Gb Asynchronous/Synchronous NAND Bus Operation – Asynchronous Interface

Figure 31: IOL vs Rp (V_{CCQ} = 2.7-3.6V)

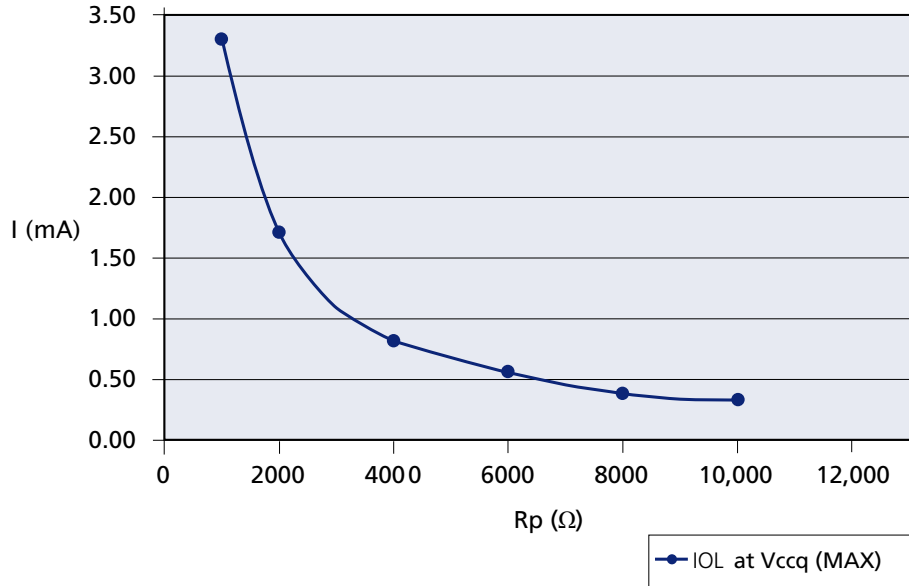
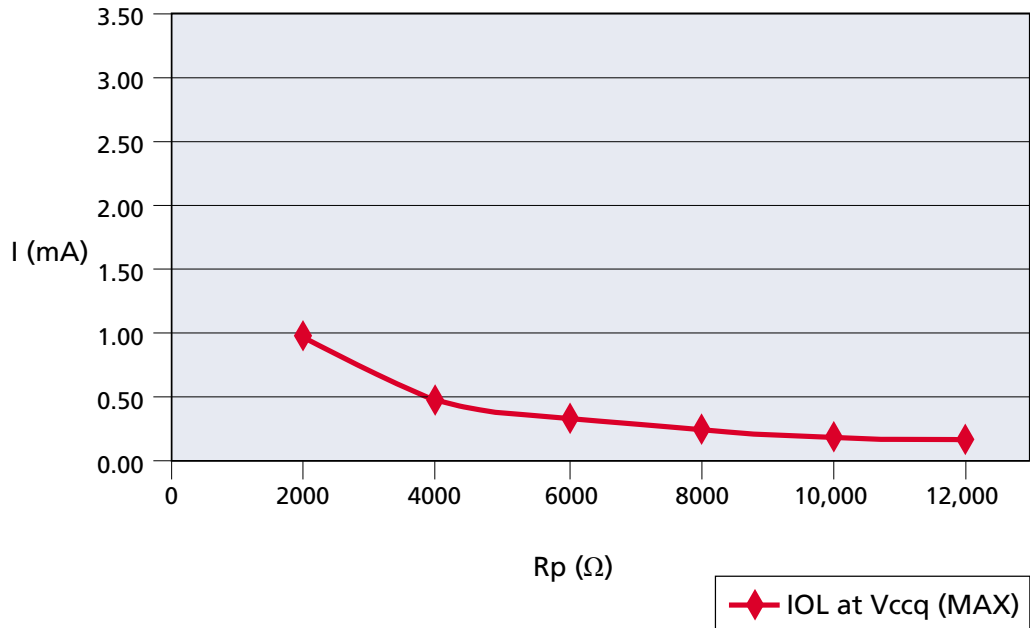


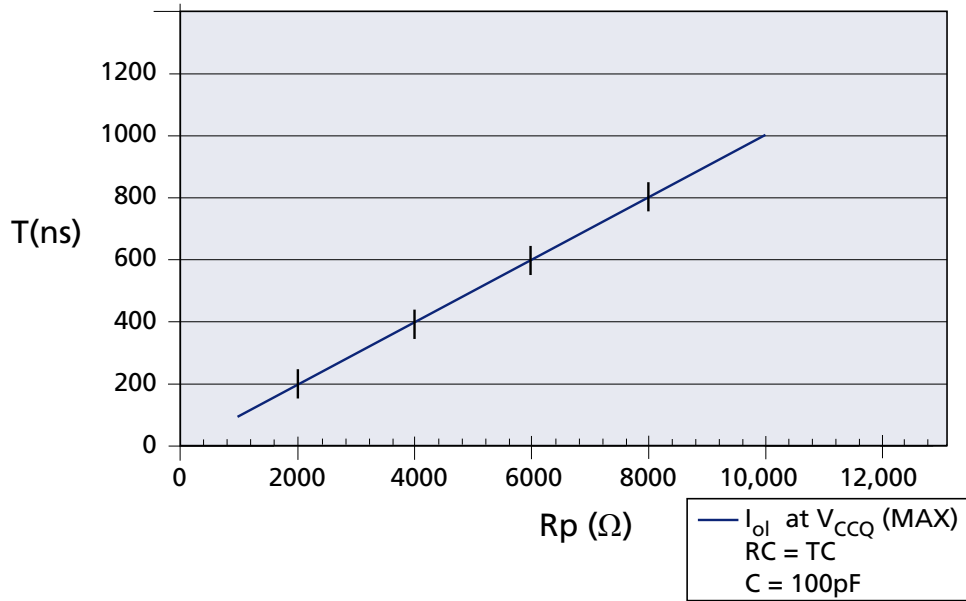
Figure 32: IOL vs Rp (V_{CCQ} = 1.7-1.95V)





32Gb, 64Gb, 128Gb, 256Gb Asynchronous/Synchronous NAND Bus Operation – Asynchronous Interface

Figure 33: TC vs Rp





Bus Operation – Synchronous Interface

These NAND Flash devices have two interfaces—a synchronous interface for fast data I/O transfer and an asynchronous interface that is backward compatible with existing NAND Flash devices.

The NAND Flash command protocol for both the asynchronous and synchronous interfaces is identical. However, there are some differences between the asynchronous and synchronous interfaces when issuing command, address, and data I/O cycles using the NAND Flash signals.

When the synchronous interface is activated on a target (see Activating Interfaces), the target is capable of high-speed DDR data transfers. Existing signals are redefined for high-speed DDR I/O. The WE# signal becomes CLK. DQS is enabled. The RE# signal becomes W/R#. CLK provides a clock reference to the NAND Flash device.

DQS is a bidirectional data strobe. During data output, DQS is driven by the NAND Flash device. During data input, DQS is controlled by the host controller while inputting data on DQ[7:0].

The direction of DQS and DQ[7:0] is controlled by the W/R# signal. When the W/R# signal is latched HIGH, the controller is driving the DQ bus and DQS. When the W/R# is latched LOW, the NAND Flash is driving the DQ bus and DQS.

The synchronous interface bus modes are summarized below.

Table 4: Synchronous Interface Mode Selection

Mode	CE#	CLE	ALE	CLK	W/R#	DQS	DQ[7:0]	WP#	Notes
Standby	H	X	X	X	X	X	X	0V/V _{CCQ}	1, 2
Bus idle	L	L	L		H	X	X	X	
Bus driving	L	L	L		L	output	output	X	
Command input	L	H	L		H	X	input	H	3
Address input	L	L	H		H	X	input	H	3
Data input	L	H	H		H		input	H	4
Data output	L	H	H		L	See Note 5	output	X	5
Write protect	X	X	X	X	X	X	X	L	
Undefined	L	L	H		L	output	output	X	
Undefined	L	H	L		L	output	output	X	

- Notes:
1. CLK can be stopped when the target is disabled, even when R/B# is LOW.
 2. WP# should be biased to CMOS LOW or HIGH for standby.
 3. Commands and addresses are latched on the rising edge of CLK.



32Gb, 64Gb, 128Gb, 256Gb Asynchronous/Synchronous NAND Bus Operation – Synchronous Interface

4. During data input to the device, DQS is the “clock” that latches the data in the cache register.
5. During data output from the NAND Flash device, DQS is an output generated from CLK after t_{DQSCK} delay.
6. Mode selection settings for this table: H = Logic level HIGH; L = Logic level LOW; X = V_{IH} or V_{IL} .

Synchronous Enable/Standby

In addition to the description found in Asynchronous Enable/Standby (page 32), the following requirements also apply when the synchronous interface is active.

Before enabling a target, CLK must be running and ALE and CLE must be LOW. When CE# is driven LOW, all of the signals for the selected target are enabled. The target is not enabled until t_{CS} completes; the target's bus is then idle.

Prior to disabling a target, the target's bus must be idle. A target is disabled when CE# is driven HIGH, even when it is busy. All of the target's signals are disabled except CE#, WP#, and R/B#. After the target is disabled, CLK can be stopped.

A target enters low-power standby when it is disabled and is not busy. If the target is busy when it is disabled, the target enters standby after all of the die (LUNs) complete their operations.

Synchronous Bus Idle/Driving

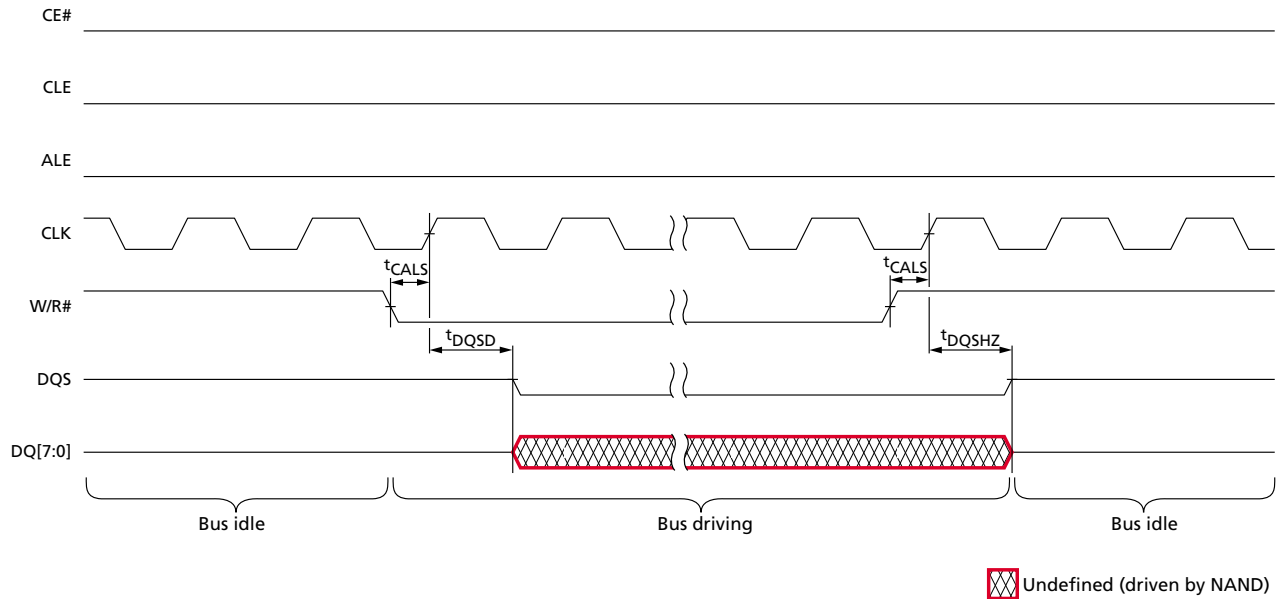
A target's bus is idle or driving when CLK is running, CE# is LOW, ALE is LOW, and CLE is LOW.

The bus is idle when W/R# transitions HIGH and is latched by CLK. During the bus idle mode, all signals are enabled; DQS and DQ[7:0] are inputs. No commands, addresses, or data are latched into the target; no data is output. When entering the bus idle mode, the host must wait a minimum of t_{CAD} before changing the bus mode. In the bus idle mode, the only valid bus modes supported are: bus driving, command, address, and DDR data input.

The bus is driving when W/R# transitions LOW and is latched by CLK. During the bus driving mode, all signals are enabled; DQS is LOW and DQ[7:0] is driven LOW or HIGH, but no valid data is output. Following the bus driving mode, the only valid bus modes supported are bus idle and DDR data output.



Figure 34: Synchronous Bus Idle/Driving Behavior



Note: 1. Only the selected die (LUN) drives DQS and DQ[7:0]. During an interleaved die (multi-LUN) operation, the host must use the READ STATUS ENHANCED (78h) to prevent data output contention.

Synchronous Pausing Data Input/Output

Pausing data input or data output is done by setting ALE and CLE to LOW. The host may continue data transfer by setting ALE and CLE to HIGH after the applicable t_{CAD} time has passed.

Synchronous Commands

A command is written from DQ[7:0] to the command register on the rising edge of CLK when CE# is LOW, ALE is LOW, CLE is HIGH, and W/R# is HIGH.

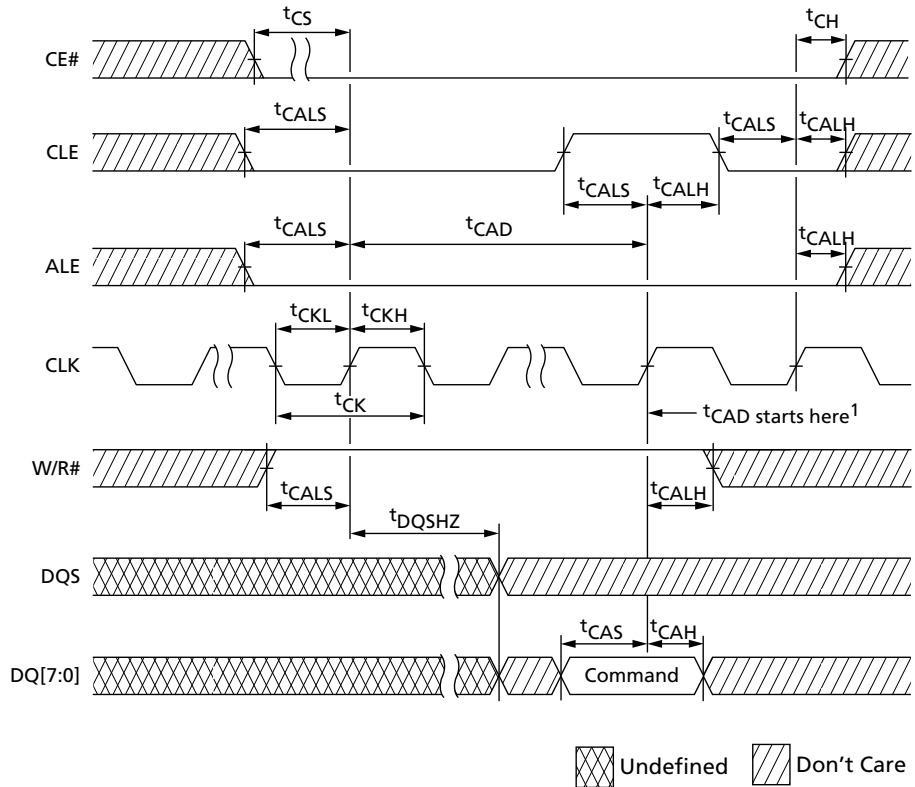
After a command is latched—and prior to issuing the next command, address, or data I/O—the bus must go to bus idle mode on the next rising edge of CLK, except when the clock period, t_{CK} , is greater than t_{CAD} .

Commands are typically ignored by die (LUNs) that are busy (RDY = 0); however, some commands, such as READ STATUS (70h) and READ STATUS ENHANCED (78h), are accepted by die (LUNs), even when they are busy.



32Gb, 64Gb, 128Gb, 256Gb Asynchronous/Synchronous NAND Bus Operation – Synchronous Interface

Figure 35: Synchronous Command Cycle



Note: 1. When CE# remains LOW, t_{CAD} begins at the rising edge of the clock from which the command cycle is latched for subsequent command, address, data input, or data output cycle(s).

Synchronous Addresses

A synchronous address is written from DQ[7:0] to the address register on the rising edge of CLK when CE# is LOW, ALE is HIGH, CLE is LOW, and W/R# is HIGH.

After an address is latched—and prior to issuing the next command, address, or data I/O—the bus must go to bus idle mode on the next rising edge of CLK, except when the clock period, t_{CK} , is greater than t_{CAD} .

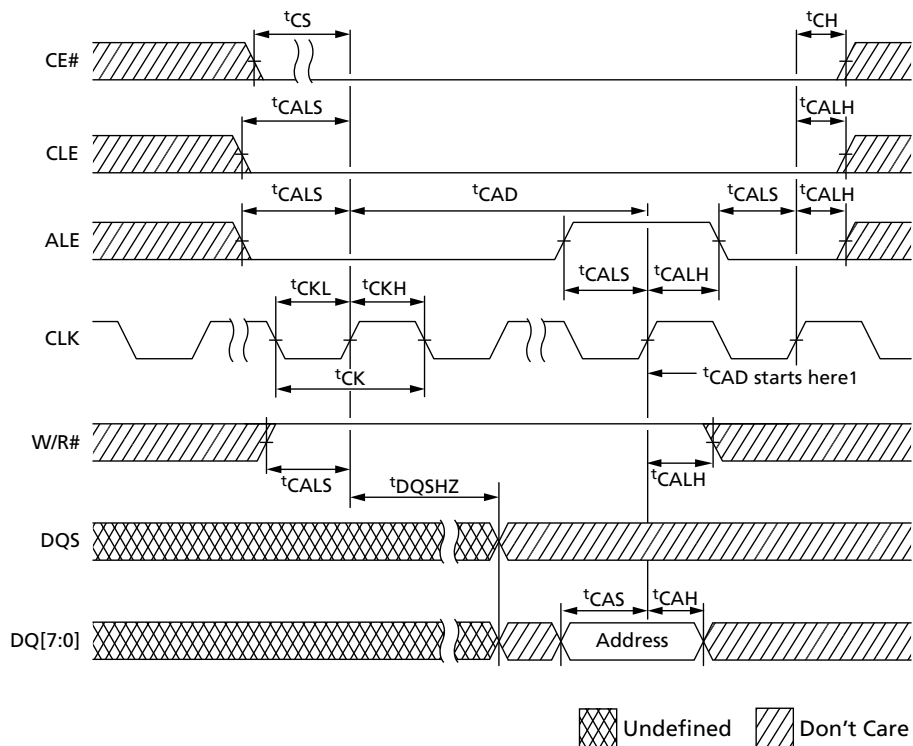
Bits not part of the address space must be LOW (see Device and Array Organization). The number of address cycles required for each command varies. Refer to the command descriptions to determine addressing requirements.

Addresses are typically ignored by die (LUNs) that are busy ($RDY = 0$); however, some addresses such as address cycles that follow the READ STATUS ENHANCED (78h) command, are accepted by die (LUNs), even when they are busy.



32Gb, 64Gb, 128Gb, 256Gb Asynchronous/Synchronous NAND Bus Operation – Synchronous Interface

Figure 36: Synchronous Address Cycle



Note: 1. When CE# remains LOW, t_{CAD} begins at the rising edge of the clock from which the command cycle is latched for subsequent command, address, data input, or data output cycle(s).

Synchronous DDR Data Input

To enter the DDR data input mode, the following conditions must be met:

- CLK is running
- CE# is LOW
- W/R# is HIGH
- t_{CAD} is met
- DQS is LOW
- ALE and CLE are HIGH on the rising edge of CLK

Upon entering the DDR data input mode after t_{DQSS} , data is written from DQ[7:0] to the cache register on each and every rising and falling edge of DQS (center-aligned) when CLK is running and the DQS to CLK skew meets t_{DSH} and t_{DSS} , CE# is LOW, W/R# is HIGH, and ALE and CLE are HIGH on the rising edge of CLK.

To exit DDR data input mode, the following conditions must be met:

- CLK is running and the DQS to CLK skew meets t_{DSH} and t_{DSS}
- CE# is LOW
- W/R# is HIGH
- ALE and CLE are latched LOW on the rising edge of CLK



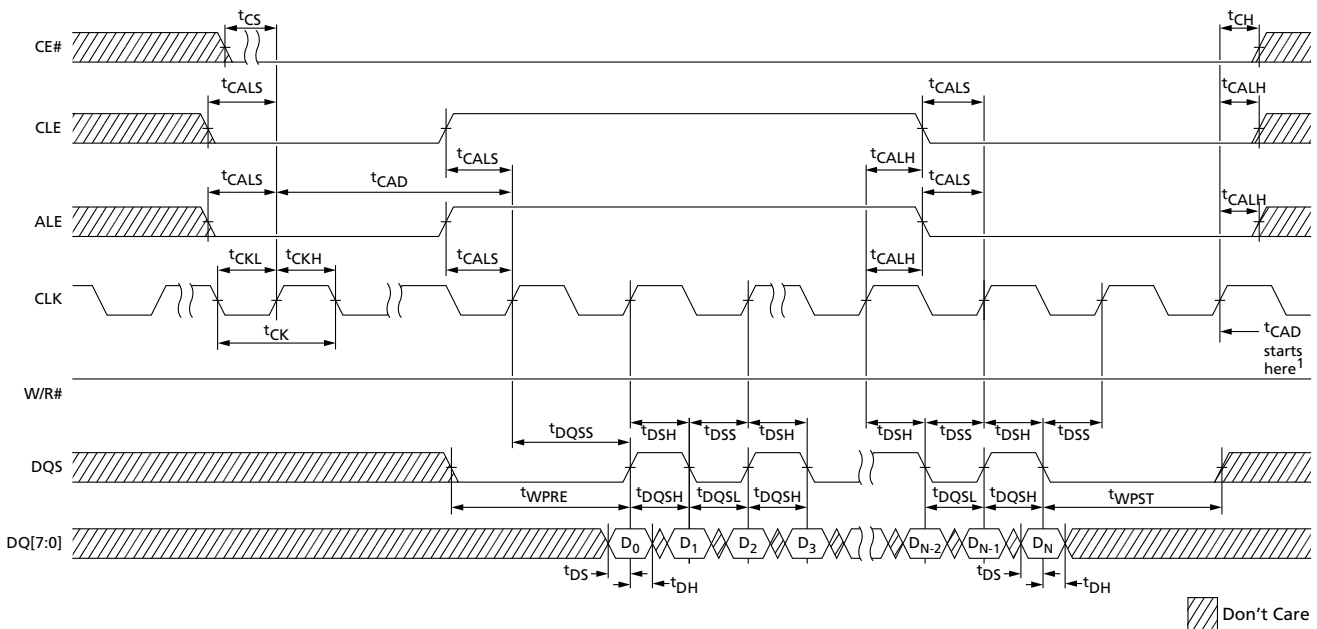
32Gb, 64Gb, 128Gb, 256Gb Asynchronous/Synchronous NAND Bus Operation – Synchronous Interface

- The final two data bytes of the data input sequence are written to DQ[7:0] to the cache register on the rising and falling edges of DQS after the last cycle in the data input sequence in which ALE and CLE are latched HIGH.
- DQS is held LOW for t_{WPST} (after the final falling edge of DQS)

Following t_{WPST} , the bus enters bus idle mode and t_{CAD} begins on the next rising edge of CLK. After t_{CAD} starts, the host can disable the target if desired.

Data input is ignored by die (LUNs) that are not selected or are busy.

Figure 37: Synchronous DDR Data Input Cycles



- Notes:
1. When CE# remains LOW, t_{CAD} begins at the first rising edge of the clock after t_{WPST} completes.
 2. t_{DSH} (MIN) generally occurs during t_{DQSS} (MIN).
 3. t_{DSS} (MIN) generally occurs during t_{DQSS} (MAX).

Synchronous DDR Data Output

Data can be output from a die (LUN) if it is ready. Data output is supported following a READ operation from the NAND Flash array.

To enter the DDR data output mode, the following conditions must be met:

- CLK is running
- CE# is LOW
- The host has released the DQ[7:0] bus and DQS
- W/R# is latched LOW on the rising edge of CLK to enable the selected die (LUN) to take ownership of the DQ[7:0] bus and DQS within t_{WRCK}
- t_{CAD} is met
- ALE and CLE are HIGH on the rising edge of CLK



32Gb, 64Gb, 128Gb, 256Gb Asynchronous/Synchronous NAND Bus Operation – Synchronous Interface

Upon entering the DDR data output mode, DQS will toggle HIGH and LOW with a delay of t_{DQSCK} from the respective rising and falling edges of CLK. DQ[7:0] will output data edge-aligned to the rising and falling edges of DQS, with the first transition delayed by no more than t_{AC} .

DDR data output mode continues as long as CLK is running, CE# is LOW, W/R# is LOW, and ALE and CLE are HIGH on the rising edge of CLK.

To exit DDR data output mode, the following conditions must be met:

- CLK is running
- CE# is LOW
- W/R# is LOW
- ALE and CLE are latched LOW on the rising edge of CLK

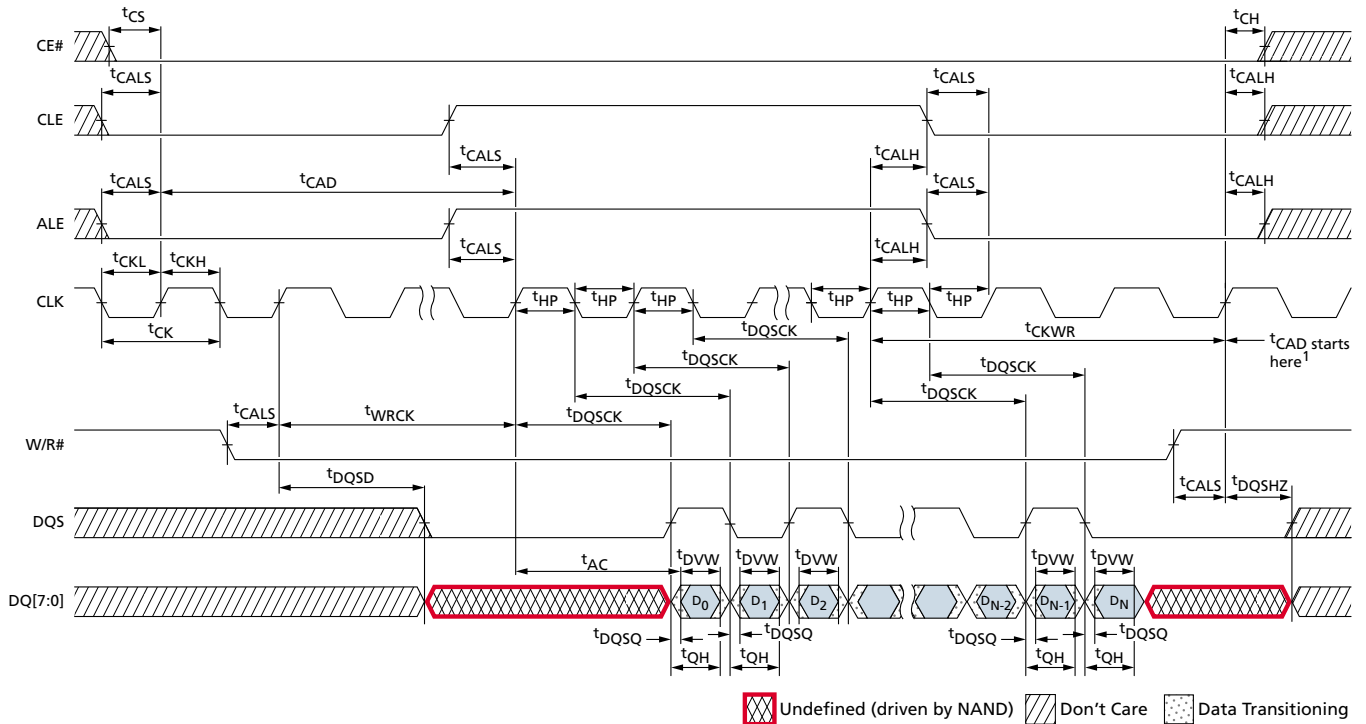
The final two data bytes are output on DQ[7:0] on the final rising and falling edges of DQS. The final rising and falling edges of DQS occur t_{DQSCK} after the last cycle in the data output sequence in which ALE and CLE are latched HIGH. After t_{CKWR} , the bus enters bus idle mode and t_{CAD} begins on the next rising edge of CLK. Once t_{CAD} starts the host can disable the target if desired.

Data output requests are typically ignored by a die (LUN) that is busy (RDY = 0); however, it is possible to output data from the status register even when a die (LUN) is busy by issuing the READ STATUS (70h) or READ STATUS ENHANCED (78h) command.



32Gb, 64Gb, 128Gb, 256Gb Asynchronous/Synchronous NAND Bus Operation – Synchronous Interface

Figure 38: Synchronous DDR Data Output Cycles



- Notes:
1. When CE# remains LOW, t_{CAD} begins at the rising edge of the clock after t_{CKWR} for subsequent command or data output cycle(s).
 2. See Figure 35 (page 45) for details of W/R# behavior.
 3. t_{AC} is the DQ output window relative to CLK and is the long-term component of DQ skew.
 4. For W/R# transitioning HIGH, DQ[7:0] and DQS go to tri-state.
 5. For W/R# transitioning LOW, DQ[7:0] drives current state and DQS goes LOW.
 6. After final data output, DQ[7:0] is driven until W/R# goes HIGH, but is not valid.

Write Protect

See Write Protect (page 37).

Ready/Busy#

See Ready/Busy# (page 37).



Device Initialization

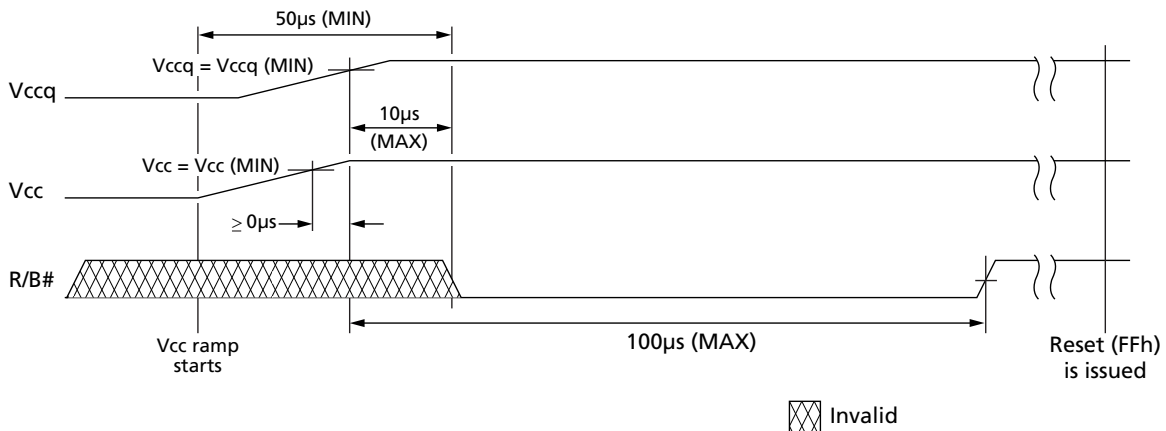
Some NAND Flash devices do not support V_{CCQ} . For these devices all references to V_{CCQ} are replaced with V_{CC} .

Micron NAND Flash devices are designed to prevent data corruption during power transitions. V_{CC} is internally monitored. (The $WP\#$ signal supports additional hardware protection during power transitions.) When ramping V_{CC} and V_{CCQ} , use the following procedure to initialize the device:

1. Ramp V_{CC} .
2. Ramp V_{CCQ} . V_{CCQ} must not exceed V_{CC} .
3. The host must wait for $R/B\#$ to be valid and HIGH before issuing RESET (FFh) to any target (see Figure 39). The $R/B\#$ signal becomes valid when $50\mu s$ has elapsed since the beginning the V_{CC} ramp, and $10\mu s$ has elapsed since V_{CCQ} reaches $V_{CCQ}(\text{MIN})$ and V_{CC} reaches $V_{CC}(\text{MIN})$.
4. If not monitoring $R/B\#$, the host must wait at least $100\mu s$ after V_{CCQ} reaches $V_{CCQ}(\text{MIN})$ and V_{CC} reaches $V_{CC}(\text{MIN})$. If monitoring $R/B\#$, the host must wait until $R/B\#$ is HIGH.
5. The asynchronous interface is active by default for each target. Each LUN draws less than an average of I_{ST} measured over intervals of 1ms until the RESET (FFh) command is issued.
6. The RESET (FFh) command must be the first command issued to all targets ($CE\#$ s) after the NAND Flash device is powered on. Each target will be busy for t_{POR} after a RESET command is issued. The RESET busy time can be monitored by polling $R/B\#$ or issuing the READ STATUS (70h) command to poll the status register.
7. The device is now initialized and ready for normal operation.

At power-down, V_{CCQ} must go LOW, either before, or simultaneously with, V_{CC} going LOW.

Figure 39: R/B# Power-On Behavior



Note: 1. Disregard V_{CCQ} for devices that use only V_{CC} .

To initialize a discovered target, the following steps shall be taken. The initialization process should be followed for each connected $CE\#$ signal, including performing the READ PARAMETER PAGE (ECh) command for each target. Each chip enable corre-



sponds to a unique target with its own independent properties that the host shall observe and subsequently use.

The host should issue the READ PARAMETER PAGE (ECh) command. This command returns information that includes the capabilities, features, and operating parameters of the device. When the information is read from the device, the host shall check the CRC to ensure that the data was received correctly and without error prior to taking action on that data.

If the CRC of the first parameter page read is not valid, the host should read redundant parameter page copies. The host can determine whether a redundant parameter page is present or not by checking if the first four bytes contain at least two bytes of the parameter page signature. If the parameter page signature is present, then the host should read the entirety of that redundant parameter page. The host should then check the CRC of that redundant parameter page. If the CRC is correct, the host may take action based on the contents of that redundant parameter page. If the CRC is incorrect, then the host should attempt to read the next redundant parameter page by the same procedure.

The host should continue reading redundant parameter pages until the host is able to accurately reconstruct the parameter page contents. The host may use bit-wise majority or other ECC techniques to recover the contents of the parameter page from the parameter page copies present. When the host determines that a parameter page signature is not present, then all parameter pages have been read.

After successfully retrieving the parameter page, the host has all information necessary to successfully communicate with that target. If the host has not previously mapped defective block information for this target, the host should next map out all defective blocks in the target. The host may then proceed to utilize the target, including erase and program operations.



Activating Interfaces

After performing the steps under Device Initialization (page 50), the asynchronous interface is active for all targets on the device.

Each target's interface is independent of other targets, so the host is responsible for changing the interface for each target.

If the host and NAND Flash device, through error, are no longer using the same interface, then steps under Activating the Asynchronous Interface are performed to re-synchronize the interfaces.

Activating the Asynchronous Interface

To activate the asynchronous NAND interface, once the synchronous interface is active, the following steps are repeated for each target:

1. The host pulls CE# HIGH, disables its input to CLK, and enables its asynchronous interface.
2. The host pulls CE# LOW and issues the RESET (FFh) command, using an asynchronous command cycle.
3. R/B# goes LOW for ^tRST.
4. After ^tITC, and during ^tRST, the device enters the asynchronous NAND interface. READ STATUS (70h) and READ STATUS ENHANCED (78h) are the only commands that can be issued.
5. After ^tRST, R/B# goes HIGH. Timing mode feature address (01h), subfeature parameter P1 is set to 00h, indicating that the asynchronous NAND interface is active and that the device is set to timing mode 0.

For further details, see Reset Operations.

Activating the Synchronous Interface

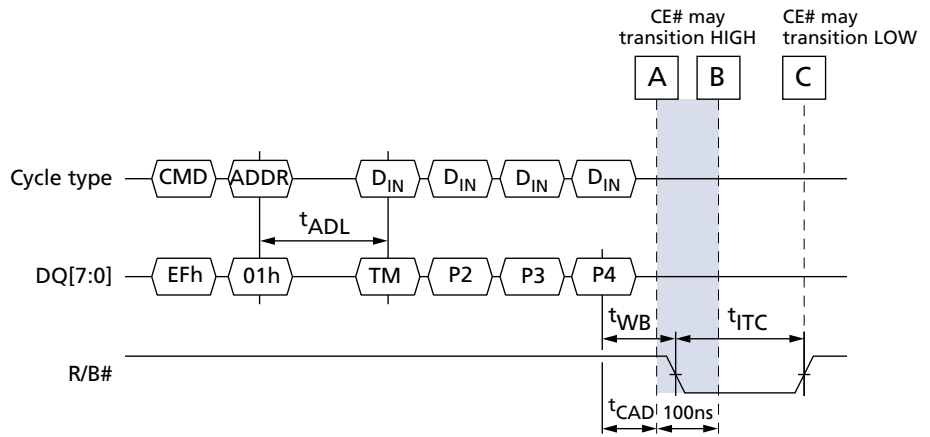
To activate the synchronous NAND Flash interface, the following steps are repeated for each target:

1. Issue the SET FEATURES (EFh) command.
2. Write address 01h, which selects the timing mode.
3. Write P1 with 1Xh, where "X" is the timing mode used in the synchronous interface (see Configuration Operations).
4. Write P2–P4 as 00h-00h-00h.
5. R/B# goes LOW for ^tITC. The host should pull CE# HIGH. During ^tITC, the host should not issue any type of command, including status commands, to the NAND Flash device.
6. After ^tITC, R/B# goes HIGH and the synchronous interface is enabled. Before pulling CE# LOW, the host should enable the clock.



32Gb, 64Gb, 128Gb, 256Gb Asynchronous/Synchronous NAND Activating Interfaces

Figure 40: Activating the Synchronous Interface



Note: 1. TM = Timing mode.



Command Definitions

Table 5: Command Set

Command	Command Cycle #1	Number of Valid Address Cycles	Data Input Cycles	Command Cycle #2	Valid While Selected LUN is Busy ¹	Valid While Other LUNs are Busy ²	Notes
Reset Operations							
RESET	FFh	0	–	–	Yes	Yes	
SYNCHRONOUS RESET	FCh	0	–	–	Yes	Yes	
RESET LUN	FAh	3	–	–	Yes	Yes	
Identification Operations							
READ ID	90h	1	–	–			3
READ PARAMETER PAGE	ECh	1	–	–			
READ UNIQUE ID	EDh	1	–	–			
Configuration Operations							
GET FEATURES	EEh	1	–	–			3
SET FEATURES	EFh	1	4	–			4
Status Operations							
READ STATUS	70h	0	–	–	Yes		
READ STATUS ENHANCED	78h	3	–	–	Yes	Yes	
Column Address Operations							
CHANGE READ COLUMN	05h	2	–	E0h		Yes	
CHANGE READ COLUMN ENHANCED	06h	5	–	E0h		Yes	
CHANGE WRITE COLUMN	85h	2	Optional	–		Yes	
CHANGE ROW ADDRESS	85h	5	Optional	–		Yes	5
Read Operations							
READ MODE	00h	0	–	–		Yes	
READ PAGE	00h	5	–	30h		Yes	6
READ PAGE MULTI-PLANE	00h	5	–	32h		Yes	
READ PAGE CACHE SEQUENTIAL	31h	0	–	–		Yes	7
READ PAGE CACHE RANDOM	00h	5	–	31h		Yes	6,7
READ PAGE CACHE LAST	3Fh	0	–	–		Yes	7
Program Operations							
PROGRAM PAGE	80h	5	Yes	10h		Yes	
PROGRAM PAGE MULTI-PLANE	80h	5	Yes	11h		Yes	


Table 5: Command Set (Continued)

Command	Command Cycle #1	Number of Valid Address Cycles	Data Input Cycles	Command Cycle #2	Valid While Selected LUN is Busy ¹	Valid While Other LUNs are Busy ²	Notes
PROGRAM PAGE CACHE	80h	5	Yes	15h		Yes	8
Erase Operations							
ERASE BLOCK	60h	3	–	D0h		Yes	
ERASE BLOCK MULTI-PLANE	60h	3	–	D1h		Yes	
Copyback Operations							
COPYBACK READ	00h	5	–	35h		Yes	6
COPYBACK PROGRAM	85h	5	Optional	10h		Yes	
COPYBACK PROGRAM MULTI-PLANE	85h	5	Optional	11h		Yes	

- Notes:
1. Busy means RDY = 0.
 2. These commands can be used for interleaved die (multi-LUN) operations (see Interleaved Die (Multi-LUN) Operations (page 113)).
 3. The READ ID (90h) and GET FEATURES (EEh) output identical data on rising and falling DQS edges.
 4. The SET FEATURES (EFh) command requires data transition prior to the rising edge of CLK, with identical data for the rising and falling edges.
 5. Command cycle #2 of 11h is conditional. See CHANGE ROW ADDRESS (85h) for more details.
 6. This command can be preceded by up to one READ PAGE MULTI-PLANE (00h-32h) command to accommodate a maximum simultaneous two-plane array operation.
 7. Issuing a READ PAGE CACHE-series (31h, 00h-31h, 00h-32h, 3Fh) command when the array is busy (RDY = 1, ARDY = 0) is supported if the previous command was a READ PAGE (00h-30h) or READ PAGE CACHE-series command; otherwise, it is prohibited.
 8. Issuing a PROGRAM PAGE CACHE (80h-15h) command when the array is busy (RDY = 1, ARDY = 0) is supported if the previous command was a PROGRAM PAGE CACHE (80h-15h) command; otherwise, it is prohibited.



Reset Operations

RESET (FFh)

The RESET (FFh) command is used to put a target into a known condition and to abort command sequences in progress. This command is accepted by all die (LUNs), even when they are busy.

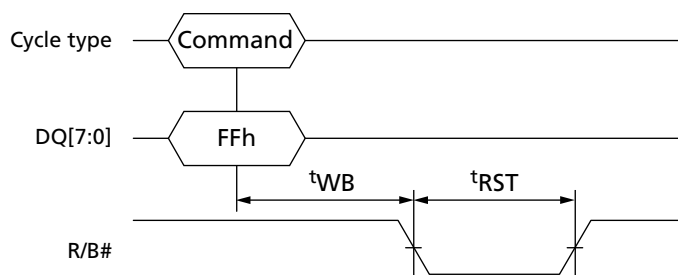
When FFh is written to the command register, the target goes busy for t_{RST} . During t_{RST} , the selected target (CE#) discontinues all array operations on all die (LUNs). All pending single- and multi-plane operations are cancelled. If this command is issued while a PROGRAM or ERASE operation is occurring on one or more die (LUNs), the data may be partially programmed or erased and is invalid. The command register is cleared and ready for the next command. The data register and cache register contents are invalid.

RESET must be issued as the first command to each target following power-up (see Device Initialization). Use of the READ STATUS ENHANCED (78h) command is prohibited during the power-on RESET. To determine when the target is ready, use READ STATUS (70h).

If the RESET (FFh) command is issued when the synchronous interface is enabled, the target's interface is changed to the asynchronous interface and the timing mode is set to 0. The RESET (FFh) command can be issued asynchronously when the synchronous interface is active, meaning that CLK does not need to be continuously running when CE# is transitioned LOW and FFh is latched on the rising edge of CLK. After this command is latched, the host should not issue any commands during t_{TTC} . After t_{TTC} , and during or after t_{RST} , the host can poll each LUN's status register.

If the RESET (FFh) command is issued when the asynchronous interface is active, the target's asynchronous timing mode remains unchanged. During or after t_{RST} , the host can poll each LUN's status register.

Figure 41: RESET (FFh) Operation





SYNCHRONOUS RESET (FCh)

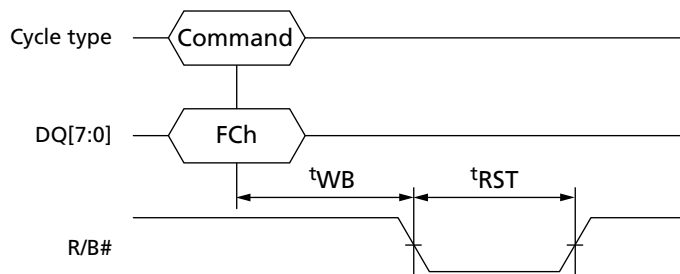
When the synchronous interface is active, the SYNCHRONOUS RESET (FCh) command is used to put a target into a known condition and to abort command sequences in progress. This command is accepted by all die (LUNs), even when they are BUSY.

When FCh is written to the command register, the target goes busy for t_{RST} . During t_{RST} , the selected target (CE#) discontinues all array operations on all die (LUNs). All pending single- and multi-plane operations are cancelled. If this command is issued while a PROGRAM or ERASE operation is occurring on one or more die (LUNs), the data may be partially programmed or erased and is invalid. The command register is cleared and ready for the next command. The data register and cache register contents are invalid and the synchronous interface remains active.

During or after t_{RST} , the host can poll each LUN's status register.

SYNCHRONOUS RESET is only accepted while the synchronous interface is active. Its use is prohibited when the asynchronous interface is active.

Figure 42: SYNCHRONOUS RESET (FCh) Operation





RESET LUN (FAh)

The RESET LUN (FAh) command is used to put a particular LUN on a target into a known condition and to abort command sequences in progress. This command is accepted by only the LUN addressed by the RESET LUN (FAh) command, even when that LUN is busy.

When FAh is written to the command register, the addressed LUN goes busy for t_{RST} . During t_{RST} , the selected LUN discontinues all array operations. All pending single- and multi-plane operations are canceled. If this command is issued while a PROGRAM or ERASE operation is occurring on the addressed LUN, the data may be partially programmed or erased and is invalid. The command register is cleared and ready for the next command. The data register and cache register contents are invalid.

If the RESET LUN (FAh) command is issued when the synchronous interface is enabled, the target's interface remains in synchronous mode.

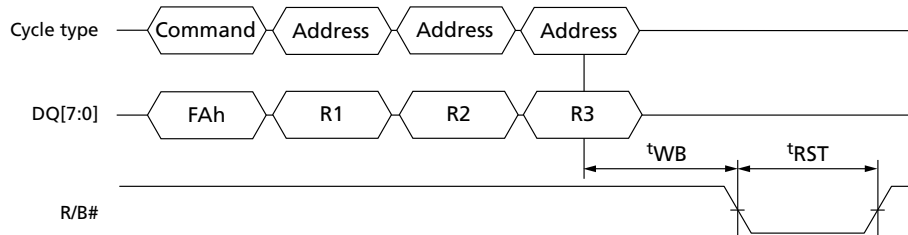
If the RESET LUN (FAh) command is issued when the asynchronous interface is enabled, the target's interface remains in asynchronous mode.

During or after t_{RST} , the host can poll each LUN's status register.

The RESET LUN (FAh) command is prohibited when not in the default array operation mode.

The RESET LUN (FAh) command can only be issued to a target (CE#) after the RESET (FFh) command has been issued as the first command to a target following power-up.

Figure 43: RESET LUN (FAh) Operation





Identification Operations

READ ID (90h)

The READ ID (90h) command is used to read identifier codes programmed into the target. This command is accepted by the target only when all die (LUNs) on the target are idle.

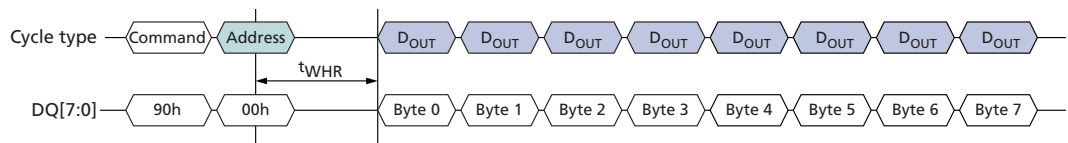
Writing 90h to the command register puts the target in read ID mode. The target stays in this mode until another valid command is issued.

When the 90h command is followed by a 00h address cycle, the target returns a 5-byte identifier code that includes the manufacturer ID, device configuration, and part-specific information.

When the 90h command is followed by a 20h address cycle, the target returns the 4-byte ONFI identifier code.

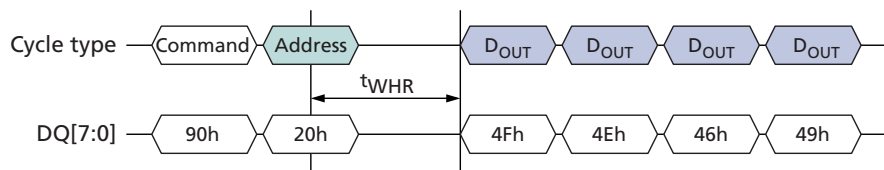
After the 90h and address cycle are written to the target, the host enables data output mode to read the identifier information. When the asynchronous interface is active, one data byte is output per RE# toggle. When the synchronous interface is active, one data byte is output per rising edge of DQS when ALE and CLE are HIGH; the data byte on the falling edge of DQS is identical to the data byte output on the previous rising edge of DQS.

Figure 44: READ ID (90h) with 00h Address Operation



Note: 1. See the READ ID Parameter tables for byte definitions.

Figure 45: READ ID (90h) with 20h Address Operation



Note: 1. See the READ ID Parameter tables for byte definitions.



32Gb, 64Gb, 128Gb, 256Gb Asynchronous/Synchronous NAND Identification Operations

READ ID Parameter Tables

Table 6: Read ID Parameters for Address 00h

Device	Byte 0	Byte 1	Byte 2	Byte 3	Byte 4	Byte 5	Byte 6	Byte 7
MT29F32G08ABAAA	2Ch	68h	00h	27h	A9h	00h	00h	00h
MT29F32G08ABCAB	2Ch	68h	00h	27h	A9h	00h	00h	00h
MT29F64G08AFAAA	2Ch	68h	00h	27h	A9h	00h	00h	00h
MT29F64G08AECAB	2Ch	68h	00h	27h	A9h	00h	00h	00h
MT29F128G08AJAAA	2Ch	88h	01h	A7h	A9h	00h	00h	00h
MT29F128G08AKAAA	2Ch	88h	01h	A7h	A9h	00h	00h	00h
MT29F128G08AKCAB	2Ch	88h	01h	A7h	A9h	00h	00h	00h
MT29F128G08AMAAA	2Ch	68h	00h	27h	A9h	00h	00h	00h
MT29F128G08AMCAB	2Ch	68h	00h	27h	A9h	00h	00h	00h
MT29F256G08AUAAA	2Ch	88h	01h	A7h	A9h	00h	00h	00h
MT29F256G08AUCAB	2Ch	88h	01h	A7h	A9h	00h	00h	00h

Note: 1. h = hexadecimal.

Table 7: Read ID Parameters for Address 20h

Device	Byte 0	Byte 1	Byte 2	Byte 3	Byte 4
All	4Fh	4Eh	46h	49h	XXh

Notes: 1. h = hexadecimal.
2. XXh = Undefined.



READ PARAMETER PAGE (ECh)

The READ PARAMETER PAGE (ECh) command is used to read the ONFI parameter page programmed into the target. This command is accepted by the target only when all die (LUNs) on the target are idle.

Writing ECh to the command register puts the target in read parameter page mode. The target stays in this mode until another valid command is issued.

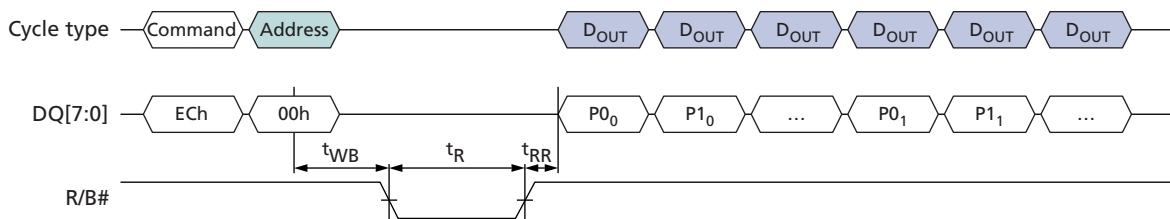
When the ECh command is followed by an 00h address cycle, the target goes busy for t_R . If the READ STATUS (70h) command is used to monitor for command completion, the READ MODE (00h) command must be used to re-enable data output mode. Use of the READ STATUS ENHANCED (78h) command is prohibited while the target is busy and during data output.

After t_R completes, the host enables data output mode to read the parameter page. When the asynchronous interface is active, one data byte is output per RE# toggle. When the synchronous interface is active, one data byte is output for each rising or falling edge of DQS.

A minimum of three copies of the parameter page are stored in the device. Each parameter page is 256 bytes. If desired, the CHANGE READ COLUMN (05h-E0h) command can be used to change the location of data output. Use of the CHANGE READ COLUMN ENHANCED (06h-E0h) command is prohibited.

The READ PARAMETER PAGE (ECh) output data can be used by the host to configure its internal settings to properly use the NAND Flash device. Parameter page data is static per part, however the value can be changed through the product cycle of NAND Flash. The host should interpret the data and configure itself accordingly.

Figure 46: READ PARAMETER (ECh) Operation





32Gb, 64Gb, 128Gb, 256Gb Asynchronous/Synchronous NAND Identification Operations

Parameter Page Data Structure Tables

Table 8: Parameter Page Data Structure

Byte	Description	Device	Values
Revision information and features block			
0–3	Parameter page signature Byte 0: 4Fh, "O" Byte 1: 4Eh, "N" Byte 2: 46h, "F" Byte 3: 49h, "I"	–	4Fh, 4Eh, 46h, 49h
4–5	Revision number Bit[15:5]: Reserved (0) Bit 4: 1 = supports ONFI version 2.2 Bit 3: 1 = supports ONFI version 2.1 Bit 2: 1 = supports ONFI version 2.0 Bit 1: 1 = supports ONFI version 1.0 Bit 0: Reserved (0)	–	1Eh, 00h
6–7	Features supported Bit[15:9]: Reserved (0) Bit 8: 1 = supports program page register clear enhancement Bit 7: 1 = supports extended parameter page Bit 6: 1 = supports interleaved (multi-plane) read operations Bit 5: 1 = supports synchronous interface Bit 4: 1 = supports odd-to-even page copyback Bit 3: 1 = supports interleaved (multi-plane) program and erase operations Bit 2: 1 = supports non-sequential page programming Bit 1: 1 = supports multiple LUN operations Bit 0: 1 = supports 16-bit data bus width	MT29F32G08ABAAA	58h, 01h
		MT29F64G08AFAAA	
		MT29F128G08AMAAA	
		MT29F128G08AJAAA	5Ah, 01h
		MT29F128G08AKAAA	
		MT29F256G08AUAAA	
		MT29F32G08ABCAB	78h, 01h
		MT29F64G08AECAB	
		MT29F128G08AMCAB	
		MT29F128G08AKCAB	7Ah, 01h
MT29F256G08AUCAB			
8–9	Optional commands supported Bit[15:10]: Reserved (0) Bit 9: 1 = supports Reset LUN command Bit 8: 1 = supports small data move Bit 7: 1 = supports CHANGE ROW ADDRESS Bit 6: 1 = supports CHANGE READ COLUMN ENHANCED Bit 5: 1 = supports READ UNIQUE ID Bit 4: 1 = supports COPYBACK Bit 3: 1 = supports READ STATUS ENHANCED Bit 2: 1 = supports GET FEATURES and SET FEATURES Bit 1: 1 = supports read cache commands Bit 0: 1 = supports PROGRAM PAGE CACHE	–	FFh, 03h
10–11	Reserved (0)	–	All 00h
12–13	Reserved (0)	–	All 00h
14	Number of parameter pages	–	03h
15–31	Reserved (0)	–	All 00h
Manufacturer information block			



32Gb, 64Gb, 128Gb, 256Gb Asynchronous/Synchronous NAND Identification Operations

Table 8: Parameter Page Data Structure (Continued)

Byte	Description	Device	Values
32–43	Device manufacturer (12 ASCII characters) Micron	–	4Dh, 49h, 43h, 52h, 4Fh, 4Eh, 20h, 20h, 20h, 20h, 20h, 20h
44–63	Device model (20 ASCII characters)	MT29F32G08ABAAAWP	4Dh, 54h, 32h, 39h, 46h, 33h, 32h, 47h, 30h, 38h, 41h, 42h, 41h, 41h, 41h, 57h, 50h, 20h, 20h, 20h
		MT29F64G08AFAAAWP	4Dh, 54h, 32h, 39h, 46h, 36h, 34h, 47h, 30h, 38h, 41h, 46h, 41h, 41h, 41h, 57h, 50h, 20h, 20h, 20h
		MT29F128G08AJAAAWP	4Dh, 54h, 32h, 39h, 46h, 31h, 32h, 38h, 47h, 30h, 38h, 41h, 4Ah, 41h, 41h, 41h, 57h, 50h, 20h, 20h
44–63	Device model (20 ASCII characters)	MT29F128G08AKAAAC5	4Dh, 54h, 32h, 39h, 46h, 31h, 32h, 38h, 47h, 30h, 38h, 41h, 4Bh, 41h, 41h, 41h, 43h, 35h, 20h, 20h
		MT29F128G08AMAAAC5	4Dh, 54h, 32h, 39h, 46h, 31h, 32h, 38h, 47h, 30h, 38h, 41h, 4Dh, 41h, 41h, 41h, 43h, 35h, 20h, 20h
		MT29F256G08AUAAAC5	4Dh, 54h, 32h, 39h, 46h, 32h, 35h, 36h, 47h, 30h, 38h, 41h, 55h, 41h, 41h, 41h, 43h, 35h, 20h, 20h
		MT29F32G08ABCABH1	4Dh, 54h, 32h, 39h, 46h, 33h, 32h, 47h, 30h, 38h, 41h, 42h, 43h, 41h, 42h, 48h, 31h, 20h, 20h, 20h



32Gb, 64Gb, 128Gb, 256Gb Asynchronous/Synchronous NAND Identification Operations

Table 8: Parameter Page Data Structure (Continued)

Byte	Description	Device	Values
44–63	Device model (20 ASCII characters)	MT29F64G08AECABH1	4Dh, 54h, 32h, 39h, 46h, 36h, 34h, 47h, 30h, 38h, 41h, 45h, 43h, 41h, 42h, 48h, 31h, 20h, 20h, 20h
		MT29F128G08AKCABH2	4Dh, 54h, 32h, 39h, 46h, 31h, 32h, 38h, 47h, 30h, 38h, 41h, 48h, 43h, 41h, 42h, 48h, 32h, 20h, 20h
		MT29F128G08AMCABH2	4Dh, 54h, 32h, 39h, 46h, 31h, 32h, 38h, 47h, 30h, 38h, 41h, 4Dh, 43h, 41h, 42h, 48h, 32h, 20h, 20h
		MT29F256G08AUCABH3	4Dh, 54h, 32h, 39h, 46h, 32h, 35h, 36h, 47h, 30h, 38h, 41h, 55h, 43h, 41h, 42h, 48h, 33h, 20h, 20h
44–63	Device model (20 ASCII characters)	MT29F64G08AECABJ1	4Dh, 54h, 32h, 39h, 46h, 36h, 34h, 47h, 30h, 38h, 41h, 45h, 43h, 41h, 42h, 4Ah, 31h, 20h, 20h, 20h
		MT29F128G08AMCABJ2	4Dh, 54h, 32h, 39h, 46h, 31h, 32h, 38h, 47h, 30h, 38h, 41h, 4Dh, 43h, 41h, 42h, 4Ah, 32h, 20h, 20h
		MT29F256G08AUCABJ3	4Dh, 54h, 32h, 39h, 46h, 32h, 35h, 36h, 47h, 30h, 38h, 41h, 55h, 43h, 41h, 42h, 4Ah, 33h, 20h, 20h
64	JEDEC manufacturer ID	–	2Ch
65–66	Date code	–	00h, 00h
67–79	Reserved (0)	–	All 00h
Memory organization block			
80–83	Number of data bytes per page	–	00h, 20h, 00h, 00h
84–85	Number of spare bytes per page	–	C0h, 01h
86–91	Reserved (0)	–	All 00h
92–95	Number of pages per block	–	80h, 00h, 00h, 00h
96–99	Number of blocks per LUN	–	00h, 10h, 00h, 00h



32Gb, 64Gb, 128Gb, 256Gb Asynchronous/Synchronous NAND Identification Operations

Table 8: Parameter Page Data Structure (Continued)

Byte	Description	Device	Values
100	Number of LUNs per chip enable	MT29F32G08ABAAA	01h
		MT29F32G08ABCAB	
		MT29F64G08AECAB	
		MT29F64G08AFAAA	
		MT29F128G08AMAAA	
		MT29F128G08AMCAB	
		MT29F128G08AJAAA	02h
		MT29F128G08AKAAA	
		MT29F128G08AKCAB	
		MT29F256G08AUAAA	
MT29F256G08AUCAB			
101	Number of address cycles Bit[7:4]: Column address cycles Bit[3:0]: Row address cycles	–	23h
102	Number of bits per cell	–	01h
103–104	Bad blocks maximum per LUN	–	50h, 00h
105–106	Block endurance	–	06h, 04h
107	Guaranteed valid blocks at beginning of target	–	01h
108–109	Block endurance for guaranteed valid blocks	–	00h, 00h
110	Number of programs per page	–	04h
111	Reserved (0)	–	00h
112	Number of bits ECC correctability	–	08h
113	Number of interleaved address bits Bit[7:4]: Reserved (0) Bit[3:0]: Number of interleaved address bits	–	01h
114	Interleaved operation attributes Bit[7:6]: Reserved (0) Bit 5: Reserved Bit 4: 1 = supports read cache Bit 3: Address restrictions for cache operations Bit 2: 1 = supports program cache Bit 1: 1 = no block address restrictions Bit 0: Overlapped/concurrent interleaving support	–	1Eh
115–127	Reserved (0)	–	All 00h
Electrical parameters block			
128	I/O pin capacitance per chip enable		



32Gb, 64Gb, 128Gb, 256Gb Asynchronous/Synchronous NAND Identification Operations

Table 8: Parameter Page Data Structure (Continued)

Byte	Description	Device	Values
129–130	Timing mode support Bit[15:6]: Reserved (0) Bit 5: 1 = supports timing mode 5 Bit 4: 1 = supports timing mode 4 Bit 3: 1 = supports timing mode 3 Bit 2: 1 = supports timing mode 2 Bit 1: 1 = supports timing mode 1 Bit 0: 1 = supports timing mode 0, shall be 1	–	3Fh, 00h
131–132	Reserved (0)	–	All 00h
133–134	^t PROG Maximum PROGRAM PAGE time (μs)	–	30h, 02h
135–136	^t BERS Maximum BLOCK ERASE time (μs)	–	58h, 1Bh
137–138	^t R Maximum PAGE READ time (μs)	–	23h, 00h
139–140	^t CCS Minimum change column setup time (ns)	–	C8h, 00h
141–142	Source synchronous timing mode support Bit[15:6]: Reserved (0) Bit 5: 1 = supports timing mode 5 Bit 4: 1 = supports timing mode 4 Bit 3: 1 = supports timing mode 3 Bit 2: 1 = supports timing mode 2 Bit 1: 1 = supports timing mode 1 Bit 0: 1 = supports timing mode 0	MT29F32G08ABAAAWP	00h, 00h
		MT29F64G08AFAAAWP	
		MT29F128G08AJAAAWP	
		MT29F128G08AKAAAC5	
		MT29F128G08AMAAAC5	
		MT29F256G08AUAAAC5	
		MT29F32G08ABCABH1	3Fh, 00h
		MT29F64G08AECABH1	
		MT29F128G08AKCABH2	
		MT29F128G08AMCABH2	
		MT29F256G08AUCABH3	
		MT29F64G08AECABJ1	
		MT29F128G08AMCABJ2	
MT29F256G08AUCABJ3			



32Gb, 64Gb, 128Gb, 256Gb Asynchronous/Synchronous NAND Identification Operations

Table 8: Parameter Page Data Structure (Continued)

Byte	Description	Device	Values
143	Source synchronous features Bit[7:3]: Reserved (0) Bit 2: 1 = devices support CLK stopped for data input Bit 1: 1 = typical capacitance values present Bit 0: 0 = use ^t CAD MIN value	MT29F32G08ABAAAWP	00h
		MT29F64G08AFAAAWP	
		MT29F128G08AJAAAWP	
		MT29F128G08AKAAAC5	
		MT29F128G08AMAAAC5	
		MT29F256G08AUAAAC5	
		MT29F32G08ABCABH1	02h
		MT29F64G08AECABH1	
		MT29F128G08AKCABH2	
		MT29F128G08AMCABH2	
		MT29F256G08AUCABH3	
		MT29F64G08AECABJ1	
		MT29F128G08AMCABJ2	
		MT29F256G08AUCABJ3	
144–145	CLK input pin capacitance, typical	MT29F32G08ABAAAWP	00h, 00h
		MT29F64G08AFAAAWP	
		MT29F128G08AJAAAWP	
		MT29F128G08AKAAAC5	
		MT29F128G08AMAAAC5	
		MT29F256G08AUAAAC5	
		MT29F32G08ABCABH1	28h, 00h
		MT29F64G08AECABH1	
		MT29F128G08AKCABH2	3Eh, 00h
		MT29F128G08AMCABH2	1Fh, 00h
		MT29F256G08AUCABH3	35h, 00h
		MT29F64G08AECABJ1	2Dh, 00h
		MT29F128G08AMCABJ2	23h, 00h
		MT29F256G08AUCABJ3	3Ch, 00h



32Gb, 64Gb, 128Gb, 256Gb Asynchronous/Synchronous NAND Identification Operations

Table 8: Parameter Page Data Structure (Continued)

Byte	Description	Device	Values
146–147	I/O pin capacitance, typical	MT29F32G08ABAAAWP	00h, 00h
		MT29F64G08AFAAAWP	
		MT29F128G08AJAAAWP	
		MT29F128G08AKAAAC5	
		MT29F128G08AMAAAC5	
		MT29F256G08AUAAAC5	
		MT29F32G08ABCABH1	2Dh, 00h
		MT29F64G08AECABH1	
		MT29F128G08AKCABH2	50h, 00h
		MT29F128G08AMCABH2	28h, 00h
		MT29F256G08AUCABH3	49h, 00h
		MT29F64G08AECABJ1	31h, 00h
		MT29F128G08AMCABJ2	28h, 00h
		MT29F256G08AUCABJ3	46h, 00h
148–149	Input capacitance, typical	MT29F32G08ABAAAWP	00h, 00h
		MT29F64G08AFAAAWP	
		MT29F128G08AJAAAWP	
		MT29F128G08AKAAAC5	
		MT29F128G08AMAAAC5	
		MT29F256G08AUAAAC5	
		MT29F32G08ABCABH1	28h, 00h
		MT29F64G08AECABH1	
		MT29F128G08AKCABH2	44h, 00h
		MT29F128G08AMCABH2	22h, 00h
		MT29F256G08AUCABH3	35h, 00h
		MT29F64G08AECABJ1	2Ch, 00h
		MT29F128G08AMCABJ2	22h, 00h
		MT29F256G08AUCABJ3	3Bh, 00h



32Gb, 64Gb, 128Gb, 256Gb Asynchronous/Synchronous NAND Identification Operations

Table 8: Parameter Page Data Structure (Continued)

Byte	Description	Device	Values
150	Input pin capacitance, maximum	MT29F32G08ABAAAWP	0Ah
		MT29F64G08AFAAAWP	07h
		MT29F128G08AJAAAWP	09h
		MT29F128G08AKAAAC5	0Ah
		MT29F128G08AMAAAC5	05h
		MT29F256G08AUAAAC5	07h
		MT29F32G08ABCABH1	05h
		MT29F64G08AECABH1	
		MT29F128G08AKCABH2	08h
		MT29F128G08AMCABH2	04h
		MT29F256G08AUCABH3	07h
		MT29F64G08AECABJ1	06h
		MT29F128G08AMCABJ2	05h
		MT29F256G08AUCABJ3	07h
151	Driver strength support Bit[7:3]: Reserved (0) Bit 2: 1 = Supports overdrive (2 drive strength) Bit 1: 1 = Supports overdrive (1 drive strength) Bit 0: 1 = Supports driver strength settings	–	07h
152–153	^t R maximum interleaved (multi-plane) page read time (μs)	–	23h, 00h
154–155	^t ADL program page register clear enhancement value (ns)	–	6Eh, 00h
156–163	Reserved (0)	–	All 00h
Vendor block			
164–165	Vendor-specific revision number	–	01h, 00h
166	TWO-PLANE PAGE READ support Bit[7:1]: Reserved (0) Bit 0: 1 = Support for TWO-PLANE PAGE READ	–	01h
167	Read cache support Bit[7:1]: Reserved (0) Bit 0: 0 = Does not support Micron-specific read cache function	–	00h
168	READ UNIQUE ID support Bit[7:1]: Reserved (0) Bit 0: 0 = Does not support Micron-specific READ UNIQUE ID	–	00h
169	Programmable DQ output impedance support Bit[7:1]: Reserved (0) Bit 0: 0 = No support for programmable DQ output impedance by B8h command	–	00h


Table 8: Parameter Page Data Structure (Continued)

Byte	Description	Device	Values
170	Number of programmable DQ output impedance settings Bit[7:3]: Reserved (0) Bit [2:0] = Number of programmable DQ output impedance settings	–	04h
171	Programmable DQ output impedance feature address Bit[7:0] = Programmable DQ output impedance feature address	–	10h
172	Programmable R/B# pull-down strength support Bit[7:1]: Reserved (0) Bit 0: 1 = Support programmable R/B# pull-down strength	–	01h
173	Programmable R/B# pull-down strength feature address Bit[7:0] = Feature address used with programmable R/B# pull-down strength	–	81h
174	Number of programmable R/B# pull-down strength settings Bit[7:3]: Reserved (0) Bit[2:0] = Number of programmable R/B# pull-down strength settings	–	04h
175	OTP mode support Bit[7:2]: Reserved (0) Bit 1: 1 = Supports Get/Set Features command set Bit 0: 0 = Does not support A5h/A0h/AFh OTP command set	–	02h
176	OTP page start Bit[7:0] = Page where OTP page space begins	–	02h
177	OTP DATA PROTECT address Bit[7:0] = Page address to use when issuing OTP DATA PROTECT command	–	01h
178	Number of OTP pages Bit[15:5]: Reserved (0) Bit[4:0] = Number of OTP pages	–	1Eh
179	OTP Feature Address	–	90h
180–252	Reserved (0)	–	All 00h



32Gb, 64Gb, 128Gb, 256Gb Asynchronous/Synchronous NAND Identification Operations

Table 8: Parameter Page Data Structure (Continued)

Byte	Description	Device	Values
253	Parameter page revision	MT29F32G08ABAAAWP	04h
		MT29F64G08AFAAAWP	
		MT29F128G08AJAAAWP	
		MT29F128G08AKAAAC5	
		MT29F128G08AMAAAC5	
		MT29F256G08AUAAAC5	
		MT29F32G08ABCABH1	
		MT29F64G08AECABH1	
		MT29F128G08AKCABH2	
		MT29F128G08AMCABH2	
		MT29F256G08AUCABH3	
		MT29F64G08AECABJ1	02h
		MT29F128G08AMCABJ2	
		MT29F256G08AUCABJ3	
254–255	Integrity CRC	MT29F32G08ABAAAWP	1Fh, A6h
		MT29F64G08AFAAAWP	1Dh, 32h
		MT29F128G08AJAAAWP	C8h, DFh
		MT29F128G08AKAAAC5	89h, 05h
		MT29F128G08AMAAAC5	27h, 00h
		MT29F256G08AUAAAC5	F0h, 5Dh
		MT29F32G08ABCABH1	92h, 8Ah
		MT29F64G08AECABH1	16h, 4Eh
		MT29F128G08AKCABH2	93h, BBh
		MT29F128G08AMCABH2	3Dh, FCh
		MT29F256G08AUCABH3	7Eh, 89h
		MT29F64G08AECABJ1	99h, 5Ah
		MT29F128G08AMCABJ2	65h, EAh
		MT29F256G08AUCABJ3	A7h, 80h
Redundant parameter pages			
256–511	Value of bytes 0–255	–	See bytes 0–255
512–767	Value of bytes 0–255	–	See bytes 0–255



READ UNIQUE ID (EDh)

The READ UNIQUE ID (EDh) command is used to read a unique identifier programmed into the target. This command is accepted by the target only when all die (LUNs) on the target are idle.

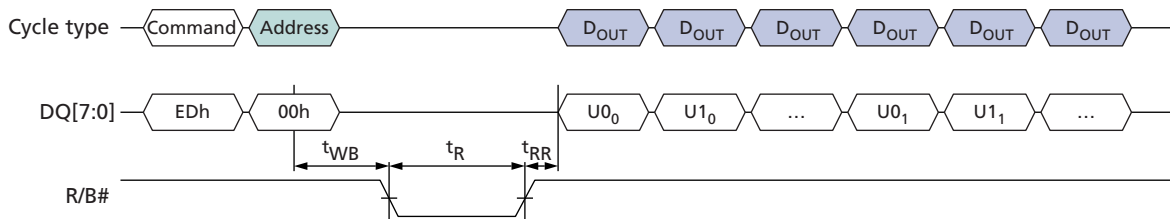
Writing EDh to the command register puts the target in read unique ID mode. The target stays in this mode until another valid command is issued.

When the EDh command is followed by a 00h address cycle, the target goes busy for t_R . If the READ STATUS (70h) command is used to monitor for command completion, the READ MODE (00h) command must be used to re-enable data output mode.

After t_R completes, the host enables data output mode to read the unique ID. When the asynchronous interface is active, one data byte is output per RE# toggle. When the synchronous interface is active, two data bytes are output, one byte for each rising or falling edge of DQS.

Sixteen copies of the unique ID data are stored in the device. Each copy is 32 bytes. The first 16 bytes of a 32-byte copy are unique data, and the second 16 bytes are the complement of the first 16 bytes. The host should XOR the first 16 bytes with the second 16 bytes. If the result is 16 bytes of FFh, then that copy of the unique ID data is correct. In the event that a non-FFh result is returned, the host can repeat the XOR operation on a subsequent copy of the unique ID data. If desired, the CHANGE READ COLUMN (05h-E0h) command can be used to change the data output location. Use of the CHANGE READ COLUMN ENHANCED (06h-E0h) command is prohibited.

Figure 47: READ UNIQUE ID (EDh) Operation





Configuration Operations

The SET FEATURES (EFh) and GET FEATURES (EEh) commands are used to modify the target's default power-on behavior. These commands use a one-byte feature address to determine which subfeature parameters will be read or modified. Each feature address (in the 00h to FFh range) is defined in Table 9. The SET FEATURES (EFh) command writes subfeature parameters (P1-P4) to the specified feature address. The GET FEATURES command reads the subfeature parameters (P1-P4) at the specified feature address.

Unless otherwise specified, the values of the feature addresses do not change when RE-SET (FFh, FCh) is issued by the host.

Table 9: Feature Address Definitions

Feature Address	Definition
00h	Reserved
01h	Timing mode
02h–0Fh	Reserved
10h	Programmable output drive strength
11h–7Fh	Reserved
80h	Programmable output drive strength
81h	Programmable RB# pull-down strength
82h–8Fh	Reserved
90h	Array operation mode
91h–FFh	Reserved

SET FEATURES (EFh)

The SET FEATURES (EFh) command writes the subfeature parameters (P1-P4) to the specified feature address to enable or disable target-specific features. This command is accepted by the target only when all die (LUNs) on the target are idle.

Writing EFh to the command register puts the target in the set features mode. The target stays in this mode until another command is issued.

The EFh command is followed by a valid feature address as specified in Table 9. The host waits for ^tADL before the subfeature parameters are input. When the asynchronous interface is active, one subfeature parameter is latched per rising edge of WE#. When the synchronous interface is active, one subfeature parameter is latched per rising edge of DQS. The data on the falling edge of DQS should be identical to the subfeature parameter input on the previous rising edge of DQS. The device is not required to wait for the repeated data byte before beginning internal actions.

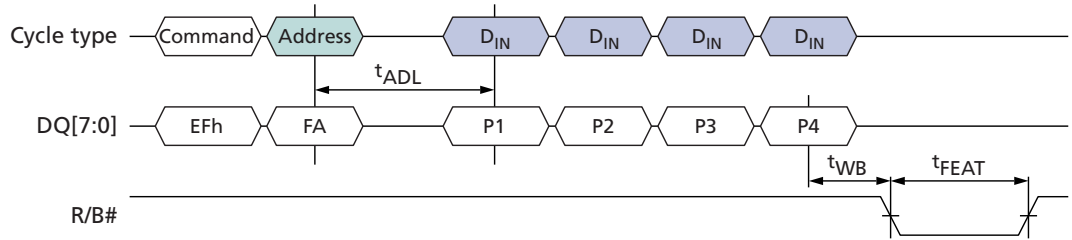
After all four subfeature parameters are input, the target goes busy for ^tFEAT. The READ STATUS (70h) command can be used to monitor for command completion.

Feature address 01h (timing mode) operation is unique. If SET FEATURES is used to modify the interface type, the target will be busy for ^tITC. See Activating Interfaces (page 52) for details.



32Gb, 64Gb, 128Gb, 256Gb Asynchronous/Synchronous NAND Configuration Operations

Figure 48: SET FEATURES (EFh) Operation



GET FEATURES (EEh)

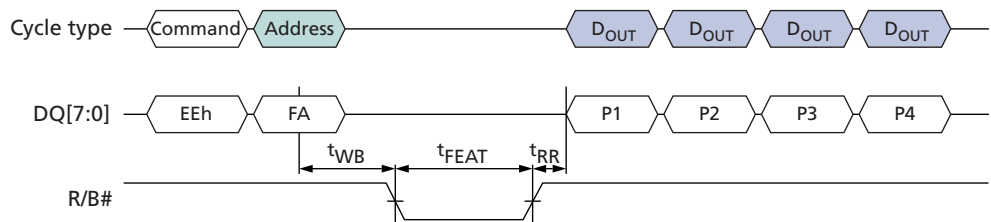
The GET FEATURES (EEh) command reads the subfeature parameters (P1-P4) from the specified feature address. This command is accepted by the target only when all die (LUNs) on the target are idle.

Writing EEh to the command register puts the target in get features mode. The target stays in this mode until another valid command is issued.

When the EEh command is followed by a feature address, the target goes busy for t_{FEAT} . If the READ STATUS (70h) command is used to monitor for command completion, the READ MODE (00h) command must be used to re-enable data output mode. During and prior to data output, use of the READ STATUS ENHANCED (78h) command is prohibited.

After t_{FEAT} completes, the host enables data output mode to read the subfeature parameters. When the asynchronous interface is active, one data byte is output per RE# toggle. When the synchronous interface is active, one subfeature parameter is output per DQS toggle on rising or falling edge of DQS.

Figure 49: GET FEATURES (EEh) Operation





32Gb, 64Gb, 128Gb, 256Gb Asynchronous/Synchronous NAND Configuration Operations

Table 10: Feature Address 01h: Timing Mode

Subfeature Parameter	Options	DQ7	DQ6	DQ5	DQ4	DQ3	DQ2	DQ1	DQ0	Value	Notes
P1											
Timing mode	Mode 0 (default)					0	0	0	0	x0h	1, 2
	Mode 1					0	0	0	1	x1h	
	Mode 2					0	0	1	0	x2h	
	Mode 3					0	0	1	1	x3h	
	Mode 4					0	1	0	0	x4h	
	Mode 5					0	1	0	1	x5h	
Data interface	Asynchronous (default)			0	0					0xh	1
	Synchronous DDR			0	1					1xh	
	Reserved			1	x					2xh	
Program clear	Program command clears all cache registers on a target (default)		0							0b	
	Program command clears only addressed LUN cache register on a target		1							1b	
Reserved		0								0b	
P2											
Reserved		0	0	0	0	0	0	0	0	00h	
P3											
Reserved		0	0	0	0	0	0	0	0	00h	
P4											
Reserved		0	0	0	0	0	0	0	0	00h	

- Notes:
- Asynchronous timing mode 0 is the default, power-on value.
 - If the synchronous interface is active, a RESET (FFh) command will change the timing mode and data interface bits of feature address 01h to their default values. If the asynchronous interface is active, a RESET (FFh) command will not change the values of the timing mode or data interface bits to their default valued.



32Gb, 64Gb, 128Gb, 256Gb Asynchronous/Synchronous NAND Configuration Operations

Table 11: Feature Addresses 10h and 80h: Programmable Output Drive Strength

Subfeature Parameter	Options	DQ7	DQ6	DQ5	DQ4	DQ3	DQ2	DQ1	DQ0	Value	Notes
P1											
Output drive strength	Overdrive 2							0	0	00h	1
	Overdrive 1							0	1	01h	
	Nominal (default)							1	0	02h	
	Underdrive							1	1	03h	
Reserved		0	0	0	0	0	0			00h	
P2											
Reserved		0	0	0	0	0	0	0	0	00h	
P3											
Reserved		0	0	0	0	0	0	0	0	00h	
P4											
Reserved		0	0	0	0	0	0	0	0	00h	

Note: 1. See Output Drive Impedance section for details.

Table 12: Feature Addresses 81h: Programmable R/B# Pull-Down Strength

Subfeature Parameter	Options	DQ7	DQ6	DQ5	DQ4	DQ3	DQ2	DQ1	DQ0	Value	Notes
P1											
R/B# pull-down strength	Full (default)							0	0	00h	1
	Three-quarter							0	1	01h	
	One-half							1	0	02h	
	One-quarter							1	1	03h	
Reserved		0	0	0	0	0	0			00h	
P2											
Reserved		0	0	0	0	0	0	0	0	00h	
P3											
Reserved		0	0	0	0	0	0	0	0	00h	
P4											
Reserved		0	0	0	0	0	0	0	0	00h	

Note: 1. This feature address is used to change the default R/B# pull-down strength. Its strength should be selected based on the expected loading of R/B#. Full strength is the default, power-on value.



32Gb, 64Gb, 128Gb, 256Gb Asynchronous/Synchronous NAND Configuration Operations

Table 13: Feature Addresses 90h: Array Operation Mode

Subfeature Parameter	Options	DQ7	DQ6	DQ5	DQ4	DQ3	DQ2	DQ1	DQ0	Value	Notes
P1											
Array Operation Mode	Normal (default)								0	00h	
	OTP Block								1	01h	1
Reserved		0	0	0	0	0	0	0		00h	
P2											
Reserved		0	0	0	0	0	0	0	0	00h	
P3											
Reserved		0	0	0	0	0	0	0	0	00h	
P4											
Reserved		0	0	0	0	0	0	0	0	00h	

- Notes:
1. See One-Time Programmable (OTP) Operations for details.
 2. A RESET (FFh) command will cause the bits of the array operation mode to change to their default values.



Status Operations

Each die (LUN) provides its status independently of other die (LUNs) on the same target through its 8-bit status register.

After the READ STATUS (70h) or READ STATUS ENHANCED (78h) command is issued, status register output is enabled. The contents of the status register are returned on DQ[7:0] for each data output request.

When the asynchronous interface is active and status register output is enabled, changes in the status register are seen on DQ[7:0] as long as CE# and RE# are LOW; it is not necessary to toggle RE# to see the status register update.

When the synchronous interface is active and status register output is enabled, changes in the status register are seen on DQ[7:0] as long as CE# and W/R# are LOW and ALE and CLE are HIGH. DQS also toggles while ALE and CLE are HIGH.

While monitoring the status register to determine when a data transfer from the Flash array to the data register (^tR) is complete, the host must issue the READ MODE (00h) command to disable the status register and enable data output (see READ MODE (00h) (page 88)).

The READ STATUS (70h) command returns the status of the most recently selected die (LUN). To prevent data contention during or following an interleaved die (multi-LUN) operation, the host must enable only one die (LUN) for status output by using the READ STATUS ENHANCED (78h) command (see Interleaved Die (Multi-LUN) Operations (page 113)).

Table 14: Status Register Definition

SR Bit	Definition	Independent per Plane ¹	Description
7	WP#	–	Write Protect: 0 = Protected 1 = Not protected In the normal array mode, this bit indicates the value of the WP# signal. In OTP mode this bit is set to 0 if a PROGRAM OTP PAGE operation is attempted and the OTP area is protected.
6	RDY	–	Ready/Busy I/O: 0 = Busy 1 = Ready This bit indicates that the selected die (LUN) is not available to accept new commands, address, or data I/O cycles with the exception of RESET (FFh), SYNCHRONOUS RESET (FCh), READ STATUS (70h), and READ STATUS ENHANCED (78h). This bit applies only to the selected die (LUN).
5	ARDY	–	Ready/Busy Array: 0 = Busy 1 = Ready This bit goes LOW (busy) when an array operation is occurring on any plane of the selected die (LUN). It goes HIGH when all array operations on the selected die (LUN) finish. This bit applies only to the selected die (LUN).
4	–	–	Reserved (0)
3	–	–	Reserved (0)


Table 14: Status Register Definition (Continued)

SR Bit	Definition	Independent per Plane ¹	Description
2	–	–	Reserved (0)
1	FAILC	Yes	Pass/Fail (N–1): 0 = Pass 1 = Fail This bit is set if the previous operation on the selected die (LUN) failed. This bit is valid only when RDY (SR bit 6) is 1. It applies to PROGRAM-, and COPYBACK PROGRAM-series operations (80h-10h, 80h-15h, 85h-10h). This bit is not valid following an ERASE-series or READ-series operation.
0	FAIL	Yes	Pass/Fail (N): 0 = Pass 1 = Fail This bit is set if the most recently finished operation on the selected die (LUN) failed. This bit is valid only when ARDY (SR bit 5) is 1. It applies to PROGRAM-, ERASE-, and COPYBACK PROGRAM-series operations (80h-10h, 80h-15h, 60h-D0h, 85h-10h). This bit is not valid following a READ-series operation.

Note: 1. After a multi-plane operation begins, the FAILC and FAIL bits are ORed together for the active planes when the READ STATUS (70h) command is issued. After the READ STATUS ENHANCED (78h) command is issued, the FAILC and FAIL bits reflect the status of the plane selected.

READ STATUS (70h)

The READ STATUS (70h) command returns the status of the last-selected die (LUN) on a target. This command is accepted by the last-selected die (LUN) even when it is busy (RDY = 0).

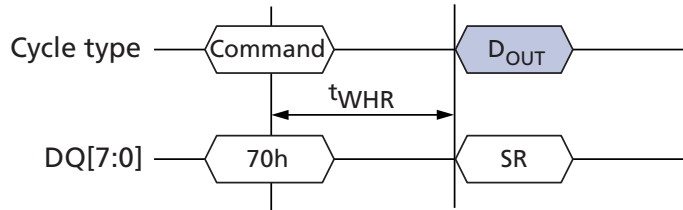
If there is only one die (LUN) per target, the READ STATUS (70h) command can be used to return status following any NAND command.

In devices that have more than one die (LUN) per target, during and following interleaved die (multi-LUN) operations, the READ STATUS ENHANCED (78h) command must be used to select the die (LUN) that should report status. In this situation, using the READ STATUS (70h) command will result in bus contention, as two or more die (LUNs) could respond until the next operation is issued. The READ STATUS (70h) command can be used following all single die (LUN) operations.

If following a multi-plane operation, regardless of the number of LUNs per target, the READ STATUS (70h) command indicates an error occurred (FAIL = 1), use the READ STATUS ENHANCED (78h) command—once for each plane—to determine which plane operation failed.



Figure 50: READ STATUS (70h) Operation



READ STATUS ENHANCED (78h)

The READ STATUS ENHANCED (78h) command returns the status of the addressed die (LUN) on a target even when it is busy (RDY = 0). This command is accepted by all die (LUNs), even when they are BUSY (RDY = 0).

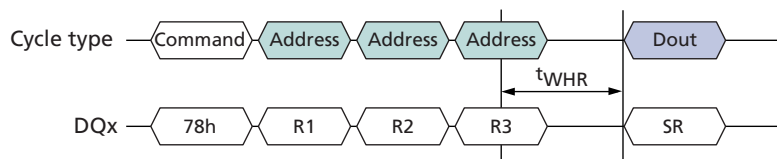
Writing 78h to the command register, followed by three row address cycles containing the page, block, and LUN addresses, puts the selected die (LUN) into read status mode. The selected die (LUN) stays in this mode until another valid command is issued. Die (LUNs) that are not addressed are deselected to avoid bus contention.

The selected LUN's status is returned when the host requests data output. The RDY and ARDY bits of the status register are shared for all of the planes of the selected die (LUN). The FAILC and FAIL bits are specific to the plane specified in the row address.

The READ STATUS ENHANCED (78h) command also enables the selected die (LUN) for data output. To begin data output following a READ-series operation after the selected die (LUN) is ready (RDY = 1), issue the READ MODE (00h) command, then begin data output. If the host needs to change the cache register that will output data, use the CHANGE READ COLUMN ENHANCED (06h-E0h) command after the die (LUN) is ready (see CHANGE READ COLUMN ENHANCED (06h-E0h)).

Use of the READ STATUS ENHANCED (78h) command is prohibited during the power-on RESET (FFh) command and when OTP mode is enabled. It is also prohibited following some of the other reset, identification, and configuration operations. See individual operations for specific details.

Figure 51: READ STATUS ENHANCED (78h) Operation





Column Address Operations

The column address operations affect how data is input to and output from the cache registers within the selected die (LUNs). These features provide host flexibility for managing data, especially when the host internal buffer is smaller than the number of data bytes or words in the cache register.

When the asynchronous interface is active, column address operations can address any byte in the selected cache register.

When the synchronous interface is active, column address operations are aligned to word boundaries (CA0 is forced to 0), because as data is transferred on DQ[7:0] in two-byte units.

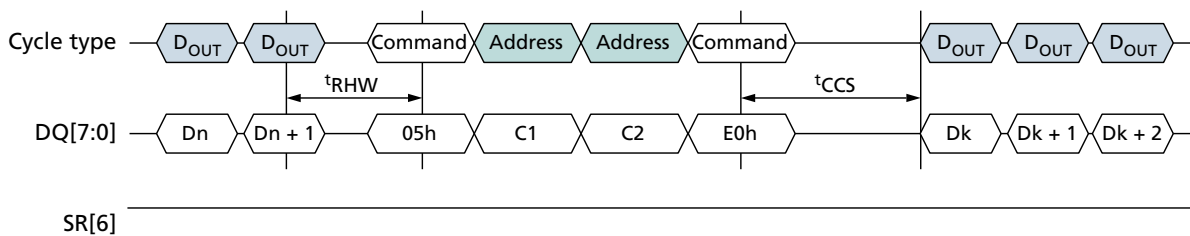
CHANGE READ COLUMN (05h-E0h)

The CHANGE READ COLUMN (05h-E0h) command changes the column address of the selected cache register and enables data output from the last selected die (LUN). This command is accepted by the selected die (LUN) when it is ready (RDY = 1; ARDY = 1). It is also accepted by the selected die (LUN) during CACHE READ operations (RDY = 1; ARDY = 0).

Writing 05h to the command register, followed by two column address cycles containing the column address, followed by the E0h command, puts the selected die (LUN) into data output mode. After the E0h command cycle is issued, the host must wait at least t_{CCS} before requesting data output. The selected die (LUN) stays in data output mode until another valid command is issued.

In devices with more than one die (LUN) per target, during and following interleaved die (multi-LUN) operations, the READ STATUS ENHANCED (78h) command must be issued prior to issuing the CHANGE READ COLUMN (05h-E0h). In this situation, using the CHANGE READ COLUMN (05h-E0h) command without the READ STATUS ENHANCED (78h) command will result in bus contention, as two or more die (LUNs) could output data.

Figure 52: CHANGE READ COLUMN (05h-E0h) Operation





CHANGE READ COLUMN ENHANCED (06h-E0h)

The CHANGE READ COLUMN ENHANCED (06h-E0h) command enables data output on the addressed die's (LUN's) cache register at the specified column address. This command is accepted by a die (LUN) when it is ready (RDY = 1; ARDY = 1).

Writing 06h to the command register, followed by two column address cycles and three row address cycles, followed by E0h, enables data output mode on the address LUN's cache register at the specified column address. After the E0h command cycle is issued, the host must wait at least t_{CCS} before requesting data output. The selected die (LUN) stays in data output mode until another valid command is issued.

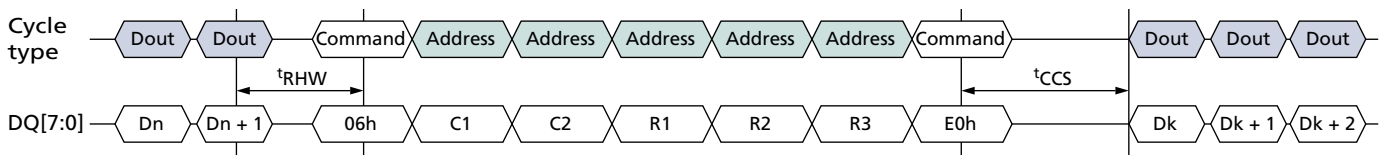
Following a multi-plane read page operation, the CHANGE READ COLUMN ENHANCED (06h-E0h) command is used to select the cache register to be enabled for data output. After data output is complete on the selected plane, the command can be issued again to begin data output on another plane.

In devices with more than one die (LUN) per target, after all of the die (LUNs) on the target are ready (RDY = 1), the CHANGE READ COLUMN ENHANCED (06h-E0h) command can be used following an interleaved die (multi-LUN) read operation. Die (LUNs) that are not addressed are deselected to avoid bus contention.

In devices with more than one die (LUN) per target, during interleaved die (multi-LUN) operations where more than one or more die (LUNs) are busy (RDY = 1; ARDY = 0 or RDY = 0; ARDY = 0), the READ STATUS ENHANCED (78h) command must be issued to the die (LUN) to be selected prior to issuing the CHANGE READ COLUMN ENHANCED (06h-E0h). In this situation, using the CHANGE READ COLUMN ENHANCED (06h-E0h) command without the READ STATUS ENHANCED (78h) command will result in bus contention, as two or more die (LUNs) could output data.

If there is a need to update the column address without selecting a new cache register or LUN, the CHANGE READ COLUMN (05h-E0h) command can be used instead.

Figure 53: CHANGE READ COLUMN ENHANCED (06h-E0h) Operation





CHANGE WRITE COLUMN (85h)

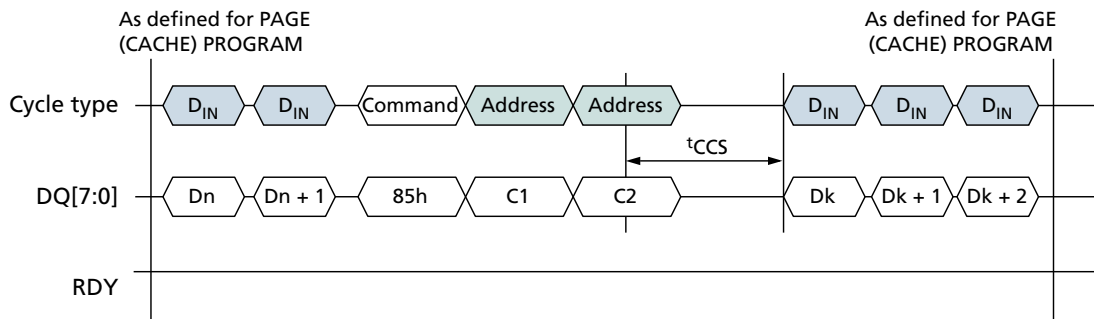
The CHANGE WRITE COLUMN (85h) command changes the column address of the selected cache register and enables data input on the last-selected die (LUN). This command is accepted by the selected die (LUN) when it is ready (RDY = 1; ARDY = 1). It is also accepted by the selected die (LUN) during cache program operations (RDY = 1; ARDY = 0).

Writing 85h to the command register, followed by two column address cycles containing the column address, puts the selected die (LUN) into data input mode. After the second address cycle is issued, the host must wait at least t_{CCS} before inputting data. The selected die (LUN) stays in data input mode until another valid command is issued. Though data input mode is enabled, data input from the host is optional. Data input begins at the column address specified.

The CHANGE WRITE COLUMN (85h) command is allowed after the required address cycles are specified, but prior to the final command cycle (10h, 11h, 15h) of the following commands while data input is permitted: PROGRAM PAGE (80h-10h), PROGRAM PAGE MULTI-PLANE (80h-11h), PROGRAM PAGE CACHE (80h-15h), COPYBACK PROGRAM (85h-10h), and COPYBACK PROGRAM MULTI-PLANE (85h-11h).

In devices that have more than one die (LUN) per target, the CHANGE WRITE COLUMN (85h) command can be used with other commands that support interleaved die (multi-LUN) operations.

Figure 54: CHANGE WRITE COLUMN (85h) Operation





CHANGE ROW ADDRESS (85h)

The CHANGE ROW ADDRESS (85h) command changes the row address (block and page) where the cache register contents will be programmed in the NAND Flash array. It also changes the column address of the selected cache register and enables data input on the specified die (LUN). This command is accepted by the selected die (LUN) when it is ready (RDY = 1; ARDY = 1). It is also accepted by the selected die (LUN) during cache programming operations (RDY = 1; ARDY = 0).

Write 85h to the command register. Then write two column address cycles and three row address cycles. This updates the page and block destination of the selected plane for the addressed LUN and puts the cache register into data input mode. After the fifth address cycle is issued the host must wait at least ^tCCS before inputting data. The selected LUN stays in data input mode until another valid command is issued. Though data input mode is enabled, data input from the host is optional. Data input begins at the column address specified.

The CHANGE ROW ADDRESS (85h) command is allowed after the required address cycles are specified, but prior to the final command cycle (10h, 11h, 15h) of the following commands while data input is permitted: PROGRAM PAGE (80h-10h), PROGRAM PAGE MULTI-PLANE (80h-11h), PROGRAM PAGE CACHE (80h-15h), COPYBACK PROGRAM (85h-10h), and COPYBACK PROGRAM MULTI-PLANE (85h-11h). When used with these commands, the LUN address and plane select bits are required to be identical to the LUN address and plane select bits originally specified.

The CHANGE ROW ADDRESS (85h) command enables the host to modify the original page and block address for the data in the cache register to a new page and block address.

In devices that have more than one die (LUN) per target, the CHANGE ROW ADDRESS (85h) command can be used with other commands that support interleaved die (multi-LUN) operations.

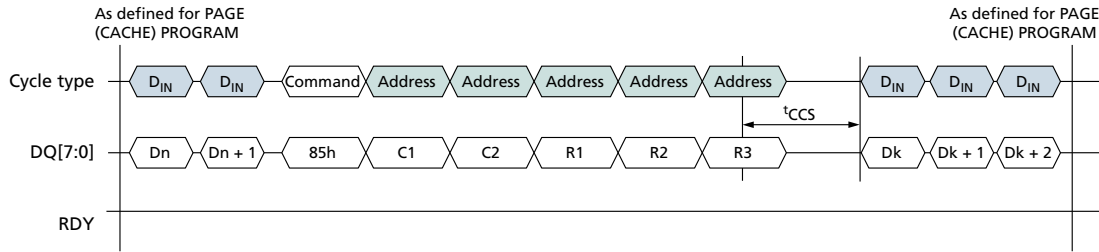
The CHANGE ROW ADDRESS (85h) command can be used with the CHANGE READ COLUMN (05h-E0h) or CHANGE READ COLUMN ENHANCED (06h-E0h) commands to read and modify cache register contents in small sections prior to programming cache register contents to the NAND Flash array. This capability can reduce the amount of buffer memory used in the host controller.

To modify the cache register contents in small sections, first issue a PAGE READ (00h-30h) or COPYBACK READ (00h-35h) operation. When data output is enabled, the host can output a portion of the cache register contents. To modify the cache register contents, issue the 85h command, the column and row addresses, and input the new data. The host can re-enable data output by issuing the 11h command, waiting ^tDBSY, and then issuing the CHANGE READ COLUMN (05h-E0h) or CHANGE READ COLUMN ENHANCED (06h-E0h) command. It is possible to toggle between data output and data input multiple times. After the final CHANGE ROW ADDRESS (85h) operation is complete, issue the 10h command to program the cache register to the NAND Flash array.



32Gb, 64Gb, 128Gb, 256Gb Asynchronous/Synchronous NAND Column Address Operations

Figure 55: CHANGE ROW ADDRESS (85h) Operation





Read Operations

Read operations are used to copy data from the NAND Flash array of one or more of the planes to their respective cache registers and to enable data output from the cache registers to the host through the DQ bus.

Read Operations

The READ PAGE (00h-30h) command, when issued by itself, reads one page from the NAND Flash array to its cache register and enables data output for that cache register.

During data output the following commands can be used to read and modify the data in the cache registers: CHANGE READ COLUMN (05h-E0h) and CHANGE ROW ADDRESS (85h).

Read Cache Operations

To increase data throughput, the READ PAGE CACHE-series (31h, 00h-31h) commands can be used to output data from the cache register while concurrently copying a page from the NAND Flash array to the data register.

To begin a read page cache sequence, begin by reading a page from the NAND Flash array to its corresponding cache register using the READ PAGE (00h-30h) command. R/B# goes LOW during t_R and the selected die (LUN) is busy (RDY = 0, ARDY = 0). After t_R (R/B# is HIGH and RDY = 1, ARDY = 1), issue either of these commands:

- READ PAGE CACHE SEQUENTIAL (31h)—copies the next sequential page from the NAND Flash array to the data register
- READ PAGE CACHE RANDOM (00h-31h)—copies the page specified in this command from the NAND Flash array (any plane) to its corresponding data register

After the READ PAGE CACHE-series (31h, 00h-31h) command has been issued, R/B# goes LOW on the target, and RDY = 0 and ARDY = 0 on the die (LUN) for t_{RCBSY} while the next page begins copying data from the array to the data register. After t_{RCBSY} , R/B# goes HIGH and the die's (LUN's) status register bits indicate the device is busy with a cache operation (RDY = 1, ARDY = 0). The cache register becomes available and the page requested in the READ PAGE CACHE operation is transferred to the data register. At this point, data can be output from the cache register, beginning at column address 0. The CHANGE READ COLUMN (05h-E0h) command can be used to change the column address of the data output by the die (LUN).

After outputting the desired number of bytes from the cache register, either an additional READ PAGE CACHE-series (31h, 00h-31h) operation can be started or the READ PAGE CACHE LAST (3Fh) command can be issued.

If the READ PAGE CACHE LAST (3Fh) command is issued, R/B# goes LOW on the target, and RDY = 0 and ARDY = 0 on the die (LUN) for t_{RCBSY} while the data register is copied into the cache register. After t_{RCBSY} , R/B# goes HIGH and RDY = 1 and ARDY = 1, indicating that the cache register is available and that the die (LUN) is ready. Data can then be output from the cache register, beginning at column address 0. The CHANGE READ COLUMN (05h-E0h) command can be used to change the column address of the data being output.

For READ PAGE CACHE-series (31h, 00h-31h, 3Fh), during the die (LUN) busy time, t_{RCBSY} , when RDY = 0 and ARDY = 0, the only valid commands are status operations (70h, 78h) and RESET (FFh, FCh). When RDY = 1 and ARDY = 0, the only valid commands during READ PAGE CACHE-series (31h, 00h-31h) operations are status opera-



tions (70h, 78h), READ MODE (00h), READ PAGE CACHE-series (31h, 00h-31h), CHANGE READ COLUMN (05h-E0h), and RESET (FFh, FCh).

Multi-Plane Read Operations

Multi-plane read page operations improve data throughput by copying data from more than one plane simultaneously to the specified cache registers. This is done by prepending one or more READ PAGE MULTI-PLANE (00h-32h) commands in front of the READ PAGE (00h-30h) command.

When the die (LUN) is ready, the CHANGE READ COLUMN ENHANCED (06h-E0h) command determines which plane outputs data. During data output, the following commands can be used to read and modify the data in the cache registers: CHANGE READ COLUMN (05h-E0h) and CHANGE ROW ADDRESS (85h). See Multi-Plane Operations for details.

Multi-Plane Read Cache Operations

Multi-plane read cache operations can be used to output data from more than one cache register while concurrently copying one or more pages from the NAND Flash array to the data register. This is done by prepending READ PAGE MULTI-PLANE (00h-32h) commands in front of the PAGE READ CACHE RANDOM (00h-31h) command.

To begin a multi-plane read page cache sequence, begin by issuing a MULTI-PLANE READ PAGE operation using the READ PAGE MULTI-PLANE (00h-32h) and READ PAGE (00h-30h) commands. R/B# goes LOW during ^tR and the selected die (LUN) is busy (RDY = 0, ARDY = 0). After ^tR (R/B# is HIGH and RDY = 1, ARDY = 1), issue either of these commands:

- READ PAGE CACHE SEQUENTIAL (31h)—copies the next sequential page from the previously addressed planes from the NAND Flash array to the data registers.
- READ PAGE MULTI-PLANE (00h-32h) commands, if desired, followed by the READ PAGE CACHE RANDOM (00h-31h) command—copies the pages specified from the NAND Flash array to the corresponding data registers.

After the READ PAGE CACHE-series (31h, 00h-31h) command has been issued, R/B# goes LOW on the target, and RDY = 0 and ARDY = 0 on the die (LUN) for ^tRCBSY while the next pages begin copying data from the array to the data registers. After ^tRCBSY, R/B# goes HIGH and the LUN's status register bits indicate the device is busy with a cache operation (RDY = 1, ARDY = 0). The cache registers become available and the pages requested in the READ PAGE CACHE operation are transferred to the data registers. Issue the CHANGE READ COLUMN ENHANCED (06h-E0h) command to determine which cache register will output data. After data is output, the CHANGE READ COLUMN ENHANCED (06h-E0h) command can be used to output data from other cache registers. After a cache register has been selected, the CHANGE READ COLUMN (05h-E0h) command can be used to change the column address of the data output.

After outputting data from the cache registers, either an additional MULTI-PLANE READ CACHE-series (31h, 00h-31h) operation can be started or the READ PAGE CACHE LAST (3Fh) command can be issued.

If the READ PAGE CACHE LAST (3Fh) command is issued, R/B# goes LOW on the target, and RDY = 0 and ARDY = 0 on the die (LUN) for ^tRCBSY while the data registers are copied into the cache registers. After ^tRCBSY, R/B# goes HIGH and RDY = 1 and ARDY = 1, indicating that the cache registers are available and that the die (LUN) is ready. Issue the



32Gb, 64Gb, 128Gb, 256Gb Asynchronous/Synchronous NAND Read Operations

CHANGE READ COLUMN ENHANCED (06h-E0h) command to determine which cache register will output data. After data is output, the CHANGE READ COLUMN ENHANCED (06h-E0h) command can be used to output data from other cache registers. After a cache register has been selected, the CHANGE READ COLUMN (05h-E0h) command can be used to change the column address of the data output.

For READ PAGE CACHE-series (31h, 00h-31h, 3Fh), during the die (LUN) busy time, $\overline{\text{RCBSY}}$, when $\text{RDY} = 0$ and $\text{ARDY} = 0$, the only valid commands are status operations (70h, 78h) and RESET (FFh, FCh). When $\text{RDY} = 1$ and $\text{ARDY} = 0$, the only valid commands during READ PAGE CACHE-series (31h, 00h-31h) operations are status operations (70h, 78h), READ MODE (00h), multi-plane read cache-series (31h, 00h-32h, 00h-31h), CHANGE READ COLUMN (05h-E0h, 06h-E0h), and RESET (FFh, FCh).

See Multi-Plane Operations for additional multi-plane addressing requirements.

READ MODE (00h)

The READ MODE (00h) command disables status output and enables data output for the last-selected die (LUN) and cache register after a READ operation (00h-30h, 00h-35h) has been monitored with a status operation (70h, 78h). This command is accepted by the die (LUN) when it is ready ($\text{RDY} = 1$, $\text{ARDY} = 1$). It is also accepted by the die (LUN) during READ PAGE CACHE (31h, 3Fh, 00h-31h) operations ($\text{RDY} = 1$ and $\text{ARDY} = 0$).

In devices that have more than one die (LUN) per target, during and following interleaved die (multi-LUN) operations, the READ STATUS ENHANCED (78h) command must be used to select only one die (LUN) prior to issuing the READ MODE (00h) command. This prevents bus contention.



READ PAGE (00h-30h)

The READ PAGE (00h–30h) command copies a page from the NAND Flash array to its respective cache register and enables data output. This command is accepted by the die (LUN) when it is ready (RDY = 1, ARDY = 1).

To read a page from the NAND Flash array, write the 00h command to the command register, the write five address cycles to the address registers, and conclude with the 30h command. The selected die (LUN) will go busy (RDY = 0, ARDY = 0) for t_R as data is transferred.

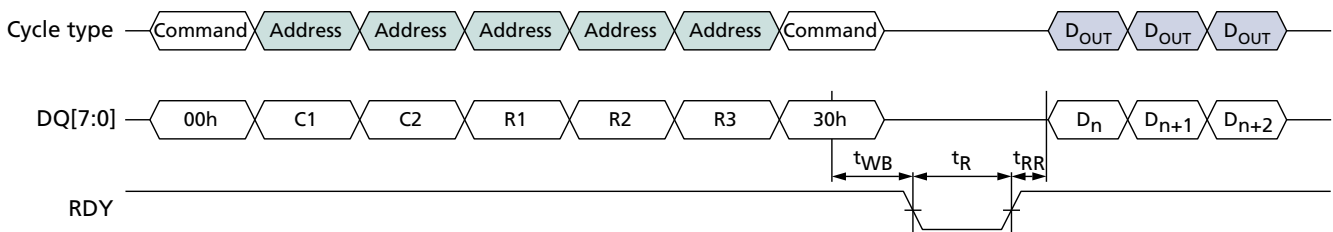
To determine the progress of the data transfer, the host can monitor the target's R/B# signal or, alternatively, the status operations (70h, 78h) can be used. If the status operations are used to monitor the LUN's status, when the die (LUN) is ready (RDY = 1, ARDY = 1), the host disables status output and enables data output by issuing the READ MODE (00h) command. When the host requests data output, output begins at the column address specified.

During data output the CHANGE READ COLUMN (05h-E0h) command can be issued.

In devices that have more than one die (LUN) per target, during and following interleaved die (multi-LUN) operations the READ STATUS ENHANCED (78h) command must be used to select only one die (LUN) prior to the issue of the READ MODE (00h) command. This prevents bus contention.

The READ PAGE (00h-30h) command is used as the final command of a multi-plane read operation. It is preceded by one or more READ PAGE MULTI-PLANE (00h-32h) commands. Data is transferred from the NAND Flash array for all of the addressed planes to their respective cache registers. When the die (LUN) is ready (RDY = 1, ARDY = 1), data output is enabled for the cache register linked to the last even plane addressed. When the host requests data output, output begins at the column address last specified in the READ PAGE (00h-30h) command. The CHANGE READ COLUMN ENHANCED (06h-E0h) command is used to enable data output in the other cache registers. See Multi-Plane Operations for additional multi-plane addressing requirements.

Figure 56: READ PAGE (00h-30h) Operation





READ PAGE CACHE SEQUENTIAL (31h)

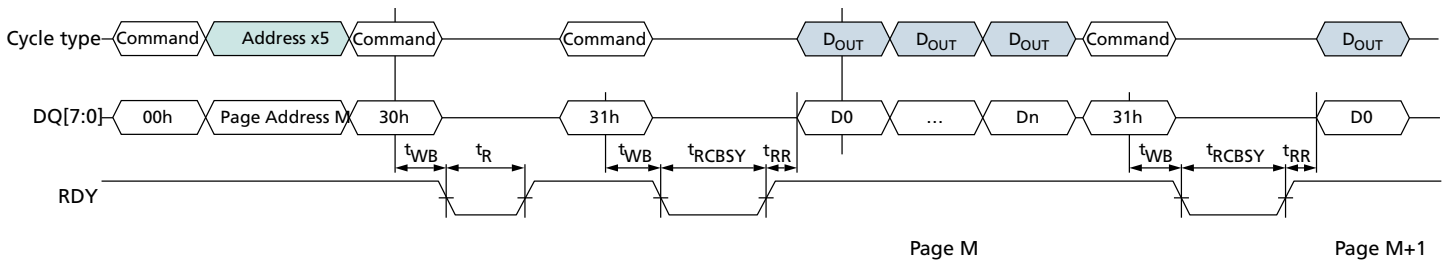
The READ PAGE CACHE SEQUENTIAL (31h) command reads the next sequential page within a block into the data register while the previous page is output from the cache register. This command is accepted by the die (LUN) when it is ready (RDY = 1, ARDY = 1). It is also accepted by the die (LUN) during READ PAGE CACHE (31h, 00h-31h) operations (RDY = 1 and ARDY = 0).

To issue this command, write 31h to the command register. After this command is issued, R/B# goes LOW and the die (LUN) is busy (RDY = 0, ARDY = 0) for t_{RCBSY} . After t_{RCBSY} , R/B# goes HIGH and the die (LUN) is busy with a cache operation (RDY = 1, ARDY = 0), indicating that the cache register is available and that the specified page is copying from the NAND Flash array to the data register. At this point, data can be output from the cache register beginning at column address 0. The CHANGE READ COLUMN (05h-E0h) command can be used to change the column address of the data being output from the cache register.

The READ PAGE CACHE SEQUENTIAL (31h) command can be used to cross block boundaries. If the READ PAGE CACHE SEQUENTIAL (31h) command is issued after the last page of a block is read into the data register, the next page read will be the next logical block in the plane which the 31h command was issued. Do not issue the READ PAGE CACHE SEQUENTIAL (31h) to cross die (LUN) boundaries. Instead, issue the READ PAGE CACHE LAST (3Fh) command.

If the READ PAGE CACHE SEQUENTIAL (31h) command is issued after a MULTI-PLANE READ PAGE operation (00h-32h, 00h-30h), the next sequential pages are read into the data registers while the previous pages can be output from the cache registers. After the die (LUN) is ready (RDY = 1, ARDY = 0), the CHANGE READ COLUMN ENHANCED (06h-E0h) command is used to select which cache register outputs data.

Figure 57: READ PAGE CACHE SEQUENTIAL (31h) Operation





READ PAGE CACHE RANDOM (00h-31h)

The READ PAGE CACHE RANDOM (00h-31h) command reads the specified block and page into the data register while the previous page is output from the cache register. This command is accepted by the die (LUN) when it is ready (RDY = 1, ARDY = 1). It is also accepted by the die (LUN) during READ PAGE CACHE (31h, 00h-31h) operations (RDY = 1 and ARDY = 0).

To issue this command, write 00h to the command register, then write five address cycles to the address register, and conclude by writing 31h to the command register. The column address in the address specified is ignored. The die (LUN) address must match the same die (LUN) address as the previous READ PAGE (00h-30h) command or, if applicable, the previous READ PAGE CACHE RANDOM (00h-31h) command. There is no restriction on the plane address.

After this command is issued, R/B# goes LOW and the die (LUN) is busy (RDY = 0, ARDY = 0) for ^tRCBSY. After ^tRCBSY, R/B# goes HIGH and the die (LUN) is busy with a cache operation (RDY = 1, ARDY = 0), indicating that the cache register is available and that the specified page is copying from the NAND Flash array to the data register. At this point, data can be output from the cache register beginning at column address 0. The CHANGE READ COLUMN (05h-E0h) command can be used to change the column address of the data being output from the cache register.

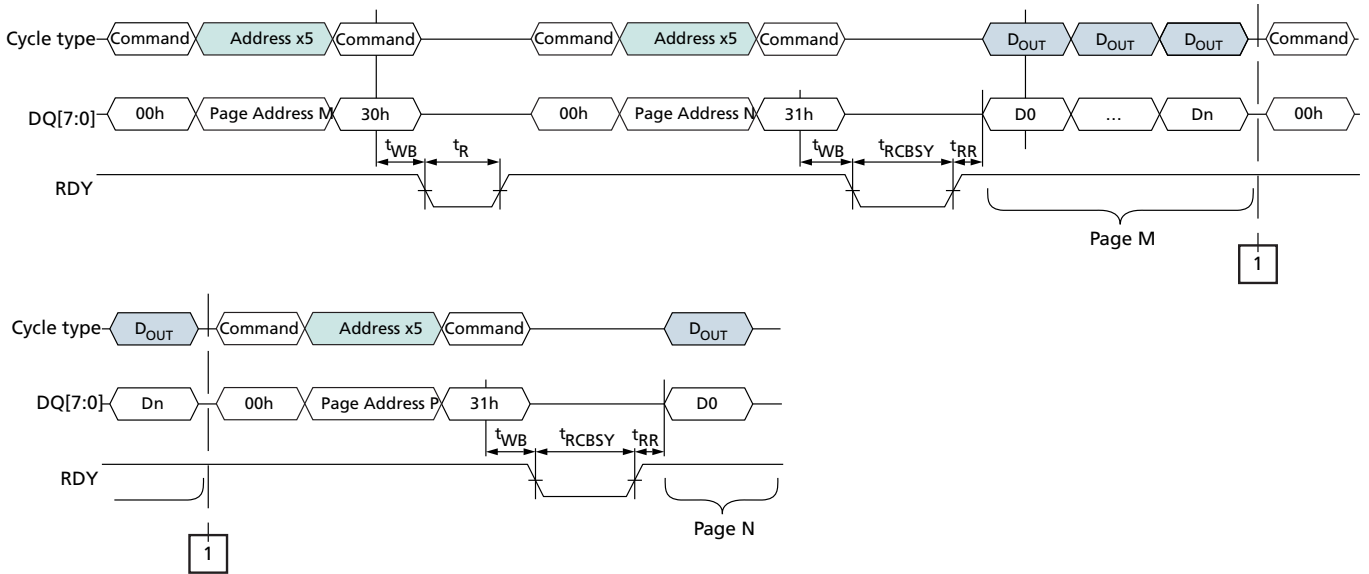
In devices that have more than one die (LUN) per target, during and following interleaved die (multi-LUN) operations the READ STATUS ENHANCED (78h) command followed by the READ MODE (00h) command must be used to select only one die (LUN) and prevent bus contention.

If a MULTI-PLANE CACHE RANDOM (00h-32h, 00h-31h) command is issued after a MULTI-PLANE READ PAGE operation (00h-32h, 00h-30h), then the addressed pages are read into the data registers while the previous pages can be output from the cache registers. After the die (LUN) is ready (RDY = 1, ARDY = 0), the CHANGE READ COLUMN ENHANCED (06h-E0h) command is used to select which cache register outputs data.



32Gb, 64Gb, 128Gb, 256Gb Asynchronous/Synchronous NAND Read Operations

Figure 58: READ PAGE CACHE RANDOM (00h-31h) Operation





READ PAGE CACHE LAST (3Fh)

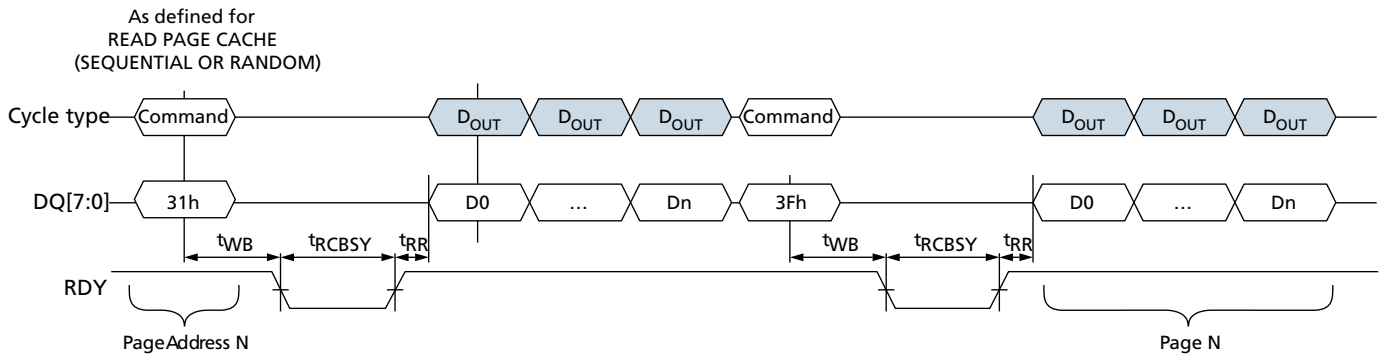
The READ PAGE CACHE LAST (3Fh) command ends the read page cache sequence and copies a page from the data register to the cache register. This command is accepted by the die (LUN) when it is ready (RDY = 1, ARDY = 1). It is also accepted by the die (LUN) during READ PAGE CACHE (31h, 00h-31h) operations (RDY = 1 and ARDY = 0).

To issue the READ PAGE CACHE LAST (3Fh) command, write 3Fh to the command register. After this command is issued, R/B# goes LOW and the die (LUN) is busy (RDY = 0, ARDY = 0) for t_{RCBSY} . After t_{RCBSY} , R/B# goes HIGH and the die (LUN) is ready (RDY = 1, ARDY = 1). At this point, data can be output from the cache register, beginning at column address 0. The CHANGE READ COLUMN (05h-E0h) command can be used to change the column address of the data being output from the cache register.

In devices that have more than one LUN per target, during and following interleaved die (multi-LUN) operations the READ STATUS ENHANCED (78h) command followed by the READ MODE (00h) command must be used to select only one die (LUN) and prevent bus contention.

If the READ PAGE CACHE LAST (3Fh) command is issued after a MULTI-PLANE READ PAGE CACHE operation (31h; 00h-32h, 00h-30h), the die (LUN) goes busy until the pages are copied from the data registers to the cache registers. After the die (LUN) is ready (RDY = 1, ARDY = 1), the CHANGE READ COLUMN ENHANCED (06h-E0h) command is used to select which cache register outputs data.

Figure 59: READ PAGE CACHE LAST (3Fh) Operation





READ PAGE MULTI-PLANE (00h-32h)

The READ PAGE MULTI-PLANE (00h-32h) command queues a plane to transfer data from the NAND flash array to its cache register. This command can be issued one or more times. Each time a new plane address is specified, that plane is also queued for data transfer. The READ PAGE (00h-30h) command is issued to select the final plane and to begin the read operation for all previously queued planes. All queued planes will transfer data from the NAND Flash array to their cache registers.

To issue the READ PAGE MULTI-PLANE (00h-32h) command, write 00h to the command register, then write five address cycles to the address register, and conclude by writing 32h to the command register. The column address in the address specified is ignored.

After this command is issued, R/B# goes LOW and the die (LUN) is busy (RDY = 0, ARDY = 0) for $t^{\text{D}}\text{DBSY}$. After $t^{\text{D}}\text{DBSY}$, R/B# goes HIGH and the die (LUN) is ready (RDY = 1, ARDY = 1). At this point, the die (LUN) and block are queued for data transfer from the array to the cache register for the addressed plane. During $t^{\text{D}}\text{DBSY}$, the only valid commands are status operations (70h, 78h) and reset commands (FFh, FCh). Following $t^{\text{D}}\text{DBSY}$, to continue the MULTI-PLANE READ operation, the only valid commands are status operations (70h, 78h), READ PAGE MULTI-PLANE (00h-32h), READ PAGE (00h-30h), and READ PAGE CACHE RANDOM (00h-31h).

Additional READ PAGE MULTI-PLANE (00h-32h) commands can be issued to queue additional planes for data transfer.

If the READ PAGE (00h-30h) command is used as the final command of a MULTI-PLANE READ operation, data is transferred from the NAND Flash array for all of the addressed planes to their respective cache registers. When the die (LUN) is ready (RDY = 1, ARDY = 1), data output is enabled for the cache register linked to the last even plane addressed. When the host requests data output, it begins at the column address specified in the READ PAGE (00h-30h) command. To enable data output in the other cache registers, use the CHANGE READ COLUMN ENHANCED (06h-E0h) command. Additionally, the CHANGE READ COLUMN (05h-E0h) command can be used to change the column address within the currently selected plane.

If the READ PAGE CACHE SEQUENTIAL (31h) is used as the final command of a MULTI-PLANE READ CACHE operation, data is copied from the previously read operation from each plane to each cache register and then data is transferred from the NAND Flash array for all previously addressed planes to their respective data registers. When the die (LUN) is ready (RDY = 1, ARDY = 0), data output is enabled. The CHANGE READ COLUMN ENHANCED (06h-E0h) command is used to determine which cache register outputs data first. To enable data output in the other cache registers, use the CHANGE READ COLUMN ENHANCED (06h-E0h) command. Additionally, the CHANGE READ COLUMN (05h-E0h) command can be used to change the column address within the currently selected plane.

If the READ PAGE CACHE RANDOM (00h-31h) command is used as the final command of a MULTI-PLANE READ CACHE operation, data is copied from the previously read operation from the data register to the cache register and then data is transferred from the NAND Flash array for all of the addressed planes to their respective data registers. When the die (LUN) is ready (RDY = 1, ARDY = 0), data output is enabled. The CHANGE READ COLUMN ENHANCED (06h-E0h) command is used to determine which cache register outputs data first. To enable data output in the other cache registers, use the CHANGE READ COLUMN ENHANCED (06h-E0h) command. Additionally, the CHANGE READ

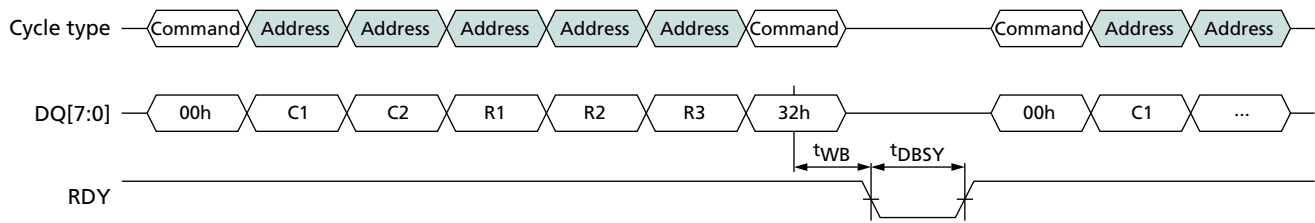


32Gb, 64Gb, 128Gb, 256Gb Asynchronous/Synchronous NAND Read Operations

COLUMN (05h-E0h) command can be used to change the column address within the currently selected plane.

See Multi-Plane Operations for additional multi-plane addressing requirements.

Figure 60: READ PAGE MULTI-PLANE (00h-32h) Operation





Program Operations

Program operations are used to move data from the cache or data registers to the NAND array of one or more planes. During a program operation the contents of the cache and/or data registers are modified by the internal control logic.

Within a block, pages must be programmed sequentially from the least significant page address to the most significant page address (i.e. 0, 1, 2, 3, ...). Programming pages out of order within a block is prohibited.

Program Operations

The PROGRAM PAGE (80h-10h) command, when not preceded by the PROGRAM PAGE MULTI-PLANE (80h-11h) command, programs one page from the cache register to the NAND Flash array. When the die (LUN) is ready (RDY = 1, ARDY = 1), the host should check the FAIL bit to verify that the operation has completed successfully.

Program Cache Operations

The PROGRAM PAGE CACHE (80h-15h) command can be used to improve program operation system performance. When this command is issued, the die (LUN) goes busy (RDY = 0, ARDY = 0) while the cache register contents are copied to the data register, and the die (LUN) is busy with a program cache operation (RDY = 1, ARDY = 0). While the contents of the data register are moved to the NAND Flash array, the cache register is available for an additional PROGRAM PAGE CACHE (80h-15h) or PROGRAM PAGE (80h-10h) command.

For PROGRAM PAGE CACHE-series (80h-15h) operations, during the die (LUN) busy times, ^tCBSY and ^tLPROG, when RDY = 0 and ARDY = 0, the only valid commands are status operations (70h, 78h) and reset (FFh, FCh). When RDY = 1 and ARDY = 0, the only valid commands during PROGRAM PAGE CACHE-series (80h-15h) operations are status operations (70h, 78h), PROGRAM PAGE CACHE (80h-15h), PROGRAM PAGE (80h-10h), CHANGE WRITE COLUMN (85h), CHANGE ROW ADDRESS (85h), and reset (FFh, FCh).

Multi-Plane Program Operations

The PROGRAM PAGE MULTI-PLANE (80h-11h) command can be used to improve program operation system performance by enabling multiple pages to be moved from the cache registers to different planes of the NAND Flash array. This is done by prepending one or more PROGRAM PAGE MULTI-PLANE (80h-11h) commands in front of the PROGRAM PAGE (80h-10h) command. See Multi-Plane Operations for details.

Multi-Plane Program Cache Operations

The PROGRAM PAGE MULTI-PLANE (80h-11h) command can be used to improve program cache operation system performance by enabling multiple pages to be moved from the cache registers to the data registers and, while the pages are being transferred from the data registers to different planes of the NAND Flash array, free the cache registers to receive data input from the host. This is done by prepending one or more PROGRAM PAGE MULTI-PLANE (80h-11h) commands in front of the PROGRAM PAGE CACHE (80h-15h) command. See Multi-Plane Operations for details.

PROGRAM PAGE (80h-10h)

The PROGRAM PAGE (80h-10h) command enables the host to input data to a cache register, and moves the data from the cache register to the specified block and page address in the array of the selected die (LUN). This command is accepted by the die (LUN)



32Gb, 64Gb, 128Gb, 256Gb Asynchronous/Synchronous NAND Program Operations

when it is ready (RDY = 1, ARDY = 1). It is also accepted by the die (LUN) when it is busy with a PROGRAM PAGE CACHE (80h-15h) operation (RDY = 1, ARDY = 0).

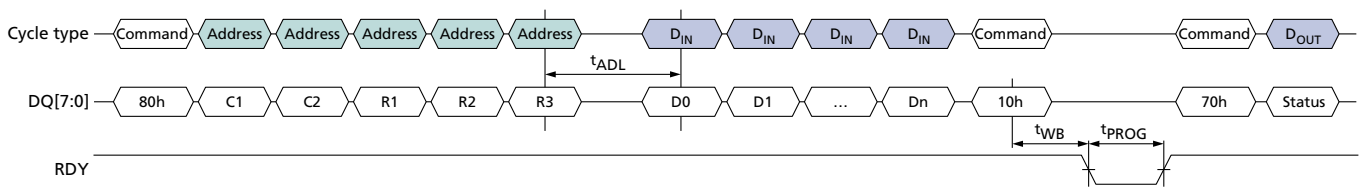
To input a page to the cache register and move it to the NAND array at the block and page address specified, write 80h to the command register. Unless this command has been preceded by a PROGRAM PAGE MULTI-PLANE (80h-11h) command, issuing the 80h to the command register clears all of the cache registers' contents on the selected target. Then write five address cycles containing the column address and row address. Data input cycles follow. Serial data is input beginning at the column address specified. At any time during the data input cycle the CHANGE WRITE COLUMN (85h) and CHANGE ROW ADDRESS (85h) commands may be issued. When data input is complete, write 10h to the command register. The selected LUN will go busy (RDY = 0, ARDY = 0) for t_{PROG} as data is transferred.

To determine the progress of the data transfer, the host can monitor the target's R/B# signal or, alternatively, the status operations (70h, 78h) may be used. When the die (LUN) is ready (RDY = 1, ARDY = 1), the host should check the status of the FAIL bit.

In devices that have more than one die (LUN) per target, during and following interleaved die (multi-LUN) operations, the READ STATUS ENHANCED (78h) command must be used to select only one die (LUN) for status output. Use of the READ STATUS (70h) command could cause more than one die (LUN) to respond, resulting in bus contention.

The PROGRAM PAGE (80h-10h) command is used as the final command of a multi-plane program operation. It is preceded by one or more PROGRAM PAGE MULTI-PLANE (80h-11h) commands. Data is transferred from the cache registers for all of the addressed planes to the NAND array. The host should check the status of the operation by using the status operations (70h, 78h). See Multi-Plane Operations for multi-plane addressing requirements.

Figure 61: PROGRAM PAGE (80h-10h) Operation





PROGRAM PAGE CACHE (80h-15h)

The PROGRAM PAGE CACHE (80h-15h) command enables the host to input data to a cache register; copies the data from the cache register to the data register; then moves the data register contents to the specified block and page address in the array of the selected die (LUN). After the data is copied to the data register, the cache register is available for additional PROGRAM PAGE CACHE (80h-15h) or PROGRAM PAGE (80h-10h) commands. The PROGRAM PAGE CACHE (80h-15h) command is accepted by the die (LUN) when it is ready (RDY = 1, ARDY = 1). It is also accepted by the die (LUN) when busy with a PROGRAM PAGE CACHE (80h-15h) operation (RDY = 1, ARDY = 0).

To input a page to the cache register to move it to the NAND array at the block and page address specified, write 80h to the command register. Unless this command has been preceded by a PROGRAM PAGE MULTI-PLANE (80h-11h) command, issuing the 80h to the command register clears all of the cache registers' contents on the selected target. Then write five address cycles containing the column address and row address. Data input cycles follow. Serial data is input beginning at the column address specified. At any time during the data input cycle the CHANGE WRITE COLUMN (85h) and CHANGE ROW ADDRESS (85h) commands may be issued. When data input is complete, write 15h to the command register. The selected LUN will go busy (RDY = 0, ARDY = 0) for t_{CBSY} to allow the data register to become available from a previous program cache operation, to copy data from the cache register to the data register, and then to begin moving the data register contents to the specified page and block address.

To determine the progress of t_{CBSY} , the host can monitor the target's R/B# signal or, alternatively, the status operations (70h, 78h) can be used. When the LUN's status shows that it is busy with a PROGRAM CACHE operation (RDY = 1, ARDY = 0), the host should check the status of the FAILC bit to see if a previous cache operation was successful.

If, after t_{CBSY} , the host wants to wait for the program cache operation to complete, without issuing the PROGRAM PAGE (80h-10h) command, the host should monitor ARDY until it is 1. The host should then check the status of the FAIL and FAILC bits.

In devices with more than one die (LUN) per target, during and following interleaved die (multi-LUN) operations, the READ STATUS ENHANCED (78h) command must be used to select only one die (LUN) for status output. Use of the READ STATUS (70h) command could cause more than one die (LUN) to respond, resulting in bus contention.

The PROGRAM PAGE CACHE (80h-15h) command is used as the final command of a multi-plane program cache operation. It is preceded by one or more PROGRAM PAGE MULTI-PLANE (80h-11h) commands. Data for all of the addressed planes is transferred from the cache registers to the corresponding data registers, then moved to the NAND Flash array. The host should check the status of the operation by using the status operations (70h, 78h). See Multi-Plane Operations for multi-plane addressing requirements.



32Gb, 64Gb, 128Gb, 256Gb Asynchronous/Synchronous NAND Program Operations

Figure 62: PROGRAM PAGE CACHE (80h–15h) Operation (Start)

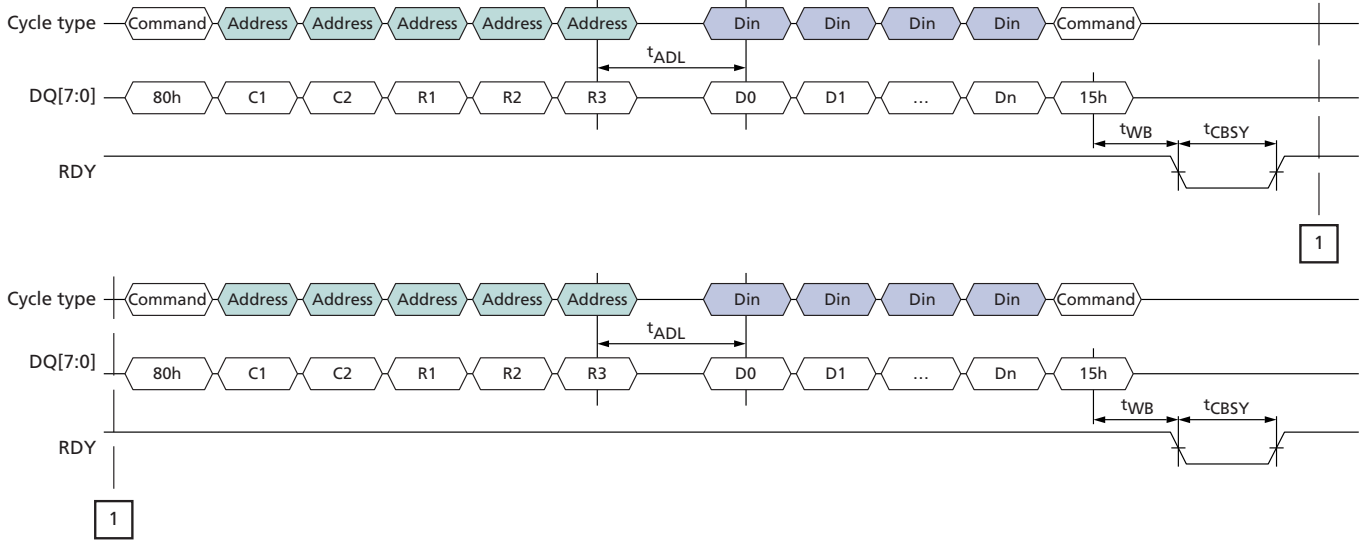
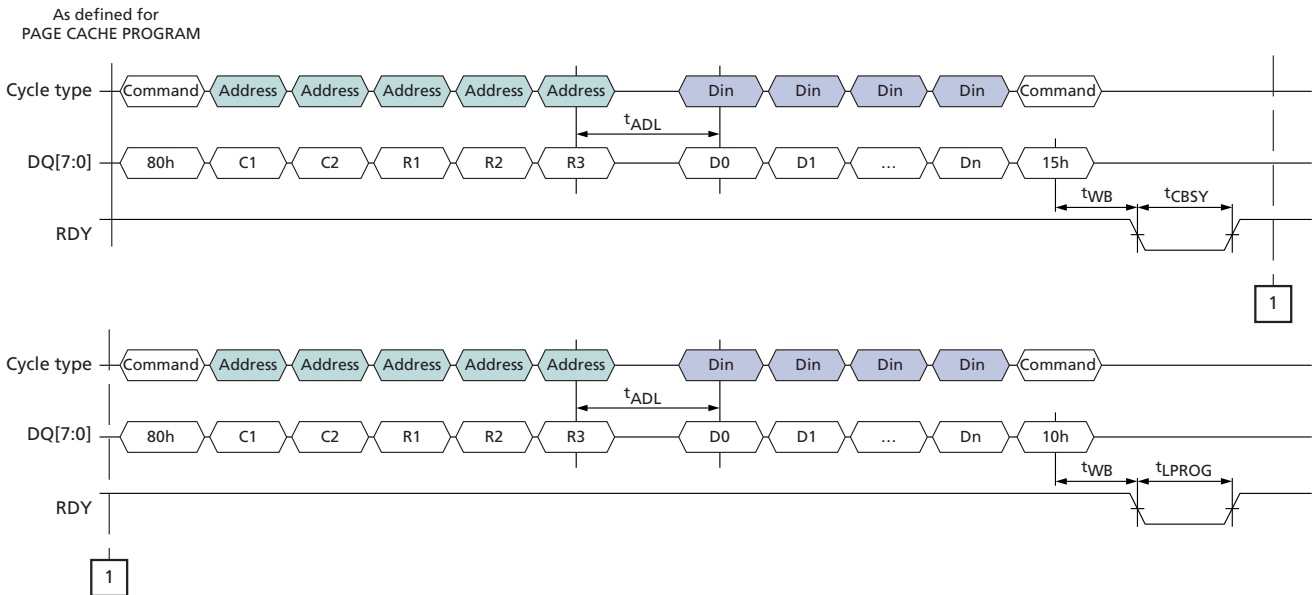


Figure 63: PROGRAM PAGE CACHE (80h–15h) Operation (End)





PROGRAM PAGE MULTI-PLANE (80h-11h)

The PROGRAM PAGE MULTI-PLANE (80h-11h) command enables the host to input data to the addressed plane's cache register and queue the cache register to ultimately be moved to the NAND Flash array. This command can be issued one or more times. Each time a new plane address is specified that plane is also queued for data transfer. To input data for the final plane and to begin the program operation for all previously queued planes, issue either the PROGRAM PAGE (80h-10h) command or the PROGRAM PAGE CACHE (80h-15h) command. All of the queued planes will move the data to the NAND Flash array. This command is accepted by the die (LUN) when it is ready (RDY = 1).

To input a page to the cache register and queue it to be moved to the NAND Flash array at the block and page address specified, write 80h to the command register. Unless this command has been preceded by an 11h command, issuing the 80h to the command register clears all of the cache registers' contents on the selected target. Write five address cycles containing the column address and row address; data input cycles follow. Serial data is input beginning at the column address specified. At any time during the data input cycle, the CHANGE WRITE COLUMN (85h) and CHANGE ROW ADDRESS (85h) commands can be issued. When data input is complete, write 11h to the command register. The selected die (LUN) will go busy (RDY = 0, ARDY = 0) for 'DBSY.

To determine the progress of 'DBSY, the host can monitor the target's R/B# signal or, alternatively, the status operations (70h, 78h) can be used. When the LUN's status shows that it is ready (RDY = 1), additional PROGRAM PAGE MULTI-PLANE (80h-11h) commands can be issued to queue additional planes for data transfer. Alternatively, the PROGRAM PAGE (80h-10h) or PROGRAM PAGE CACHE (80h-15h) commands can be issued.

When the PROGRAM PAGE (80h-10h) command is used as the final command of a multi-plane program operation, data is transferred from the cache registers to the NAND Flash array for all of the addressed planes during 'PROG. When the die (LUN) is ready (RDY = 1, ARDY = 1), the host should check the status of the FAIL bit for each of the planes to verify that programming completed successfully.

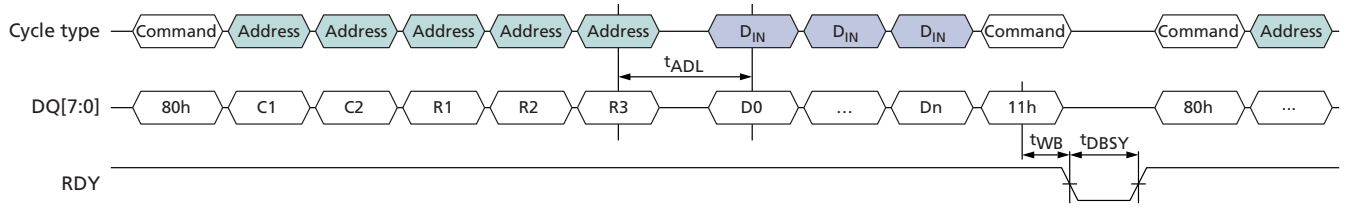
When the PROGRAM PAGE CACHE (80h-15h) command is used as the final command of a MULTI-PLANE PROGRAM CACHE operation, data is transferred from the cache registers to the data registers after the previous array operations finish. The data is then moved from the data registers to the NAND Flash array for all of the addressed planes. This occurs during 'CBSY. After 'CBSY, the host should check the status of the FAILC bit for each of the planes from the previous program cache operation, if any, to verify that programming completed successfully.

For the PROGRAM PAGE MULTI-PLANE (80h-11h), PROGRAM PAGE (80h-10h), and PROGRAM PAGE CACHE (80h-15h) commands, see Multi-Plane Operations for multi-plane addressing requirements.



32Gb, 64Gb, 128Gb, 256Gb Asynchronous/Synchronous NAND Program Operations

Figure 64: PROGRAM PAGE MULTI-PLANE (80h–11h) Operation





Erase Operations

Erase operations are used to clear the contents of a block in the NAND Flash array to prepare its pages for program operations.

Erase Operations

The ERASE BLOCK (60h-D0h) command, when not preceded by the ERASE BLOCK MULTI-PLANE (60h-D1h) command, erases one block in the NAND Flash array. When the die (LUN) is ready (RDY = 1, ARDY = 1), the host should check the FAIL bit to verify that this operation completed successfully.

MULTI-PLANE ERASE Operations

The ERASE BLOCK MULTI-PLANE (60h-D1h) command can be used to further system performance of erase operations by allowing more than one block to be erased in the NAND array. This is done by prepending one or more ERASE BLOCK MULTI-PLANE (60h-D1h) commands in front of the ERASE BLOCK (60h-D0h) command. See Multi-Plane Operations for details.

ERASE BLOCK (60h-D0h)

The ERASE BLOCK (60h-D0h) command erases the specified block in the NAND Flash array. This command is accepted by the die (LUN) when it is ready (RDY = 1, ARDY = 1).

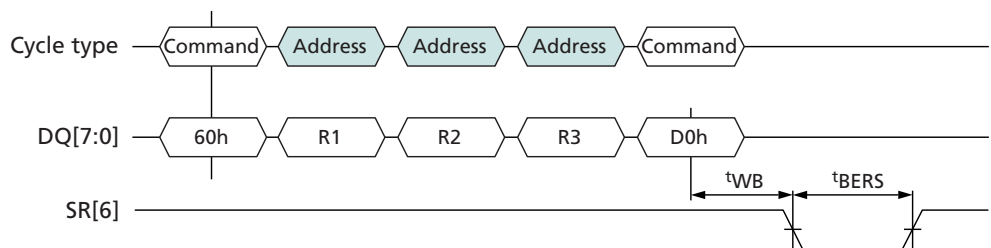
To erase a block, write 60h to the command register. Then write three address cycles containing the row address; the page address is ignored. Conclude by writing D0h to the command register. The selected die (LUN) will go busy (RDY = 0, ARDY = 0) for t_{BERS} while the block is erased.

To determine the progress of an ERASE operation, the host can monitor the target's R/B# signal, or alternatively, the status operations (70h, 78h) can be used. When the die (LUN) is ready (RDY = 1, ARDY = 1) the host should check the status of the FAIL bit.

In devices that have more than one die (LUN) per target, during and following interleaved die (multi-LUN) operations, the READ STATUS ENHANCED (78h) command must be used to select only one die (LUN) for status output. Use of the READ STATUS (70h) command could cause more than one die (LUN) to respond, resulting in bus contention.

The ERASE BLOCK (60h-D0h) command is used as the final command of a MULTI-PLANE ERASE operation. It is preceded by one or more ERASE BLOCK MULTI-PLANE (60h-D1h) commands. All of blocks in the addressed planes are erased. The host should check the status of the operation by using the status operations (70h, 78h). See Multi-Plane Operations for multi-plane addressing requirements.

Figure 65: ERASE BLOCK (60h-D0h) Operation





ERASE BLOCK MULTI-PLANE (60h-D1h)

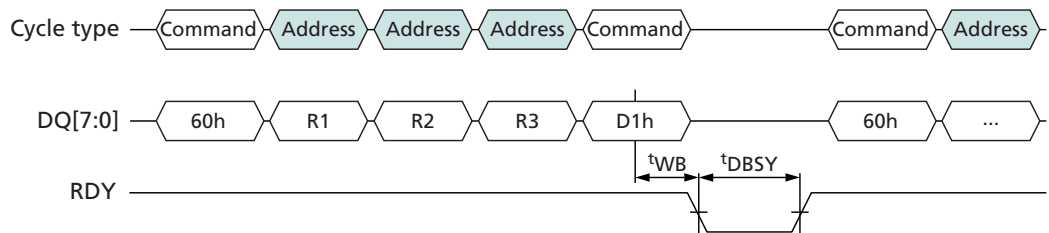
The ERASE BLOCK MULTI-PLANE (60h-D1h) command queues a block in the specified plane to be erased in the NAND Flash array. This command can be issued one or more times. Each time a new plane address is specified, that plane is also queued for a block to be erased. To specify the final block to be erased and to begin the ERASE operation for all previously queued planes, issue the ERASE BLOCK (60h-D0h) command. This command is accepted by the die (LUN) when it is ready (RDY = 1, ARDY = 1).

To queue a block to be erased, write 60h to the command register, then write three address cycles containing the row address; the page address is ignored. Conclude by writing D1h to the command register. The selected die (LUN) will go busy (RDY = 0, ARDY = 0) for ^tDBSY.

To determine the progress of ^tDBSY, the host can monitor the target's R/B# signal, or alternatively, the status operations (70h, 78h) can be used. When the LUN's status shows that it is ready (RDY = 1, ARDY = 1), additional ERASE BLOCK MULTI-PLANE (60h-D1h) commands can be issued to queue additional planes for erase. Alternatively, the ERASE BLOCK (60h-D0h) command can be issued to erase all of the queued blocks.

For multi-plane addressing requirements for the ERASE BLOCK MULTI-PLANE (60h-D1h) and ERASE BLOCK (60h-D0h) commands, see Multi-Plane Operations.

Figure 66: ERASE BLOCK MULTI-PLANE (60h-D1h) Operation





Copyback Operations

COPYBACK operations make it possible to transfer data within a plane from one page to another using the cache register. This is particularly useful for block management and wear leveling.

The COPYBACK operation is a two-step process consisting of a COPYBACK READ (00h-35h) and a COPYBACK PROGRAM (85h-10h) command. To move data from one page to another on the same plane, first issue the COPYBACK READ (00h-35h) command. When the die (LUN) is ready (RDY = 1, ARDY = 1), the host can transfer the data to a new page by issuing the COPYBACK PROGRAM (85h-10h) command. When the die (LUN) is again ready (RDY = 1, ARDY = 1), the host should check the FAIL bit to verify that this operation completed successfully.

To prevent bit errors from accumulating over multiple COPYBACK operations, it is recommended that the host read the data out of the cache register after the COPYBACK READ (00h-35h) completes prior to issuing the COPYBACK PROGRAM (85h-10h) command. The CHANGE READ COLUMN (05h-E0h) command can be used to change the column address. The host should check the data for ECC errors and correct them. When the COPYBACK PROGRAM (85h-10h) command is issued, any corrected data can be input. The CHANGE ROW ADDRESS (85h) command can be used to change the column address.

It is not possible to use the COPYBACK operation to move data from one plane to another or from one die (LUN) to another. Instead, use a READ PAGE (00h-30h) or COPYBACK READ (00h-35h) command to read the data out of the NAND, and then use a PROGRAM PAGE (80h-10h) command with data input to program the data to a new plane or die (LUN).

Between the COPYBACK READ (00h-35h) and COPYBACK PROGRAM (85h-10h) commands, the following commands are supported: status operations (70h, 78h), and column address operations (05h-E0h, 06h-E0h, 85h). Reset operations (FFh, FCh) can be issued after COPYBACK READ (00h-35h), but the contents of the cache registers on the target are not valid.

In devices which have more than one die (LUN) per target, once the COPYBACK READ (00h-35h) is issued, interleaved die (multi-LUN) operations are prohibited until after the COPYBACK PROGRAM (85h-10h) command is issued.

Multi-Plane Copyback Operations

Multi-plane copyback read operations improve read data throughput by copying data simultaneously from more than one plane to the specified cache registers. This is done by prepending one or more READ PAGE MULTI-PLANE (00h-32h) commands in front of the COPYBACK READ (00h-35h) command.

The COPYBACK PROGRAM MULTI-PLANE (85h-11h) command can be used to further system performance of COPYBACK PROGRAM operations by enabling movement of multiple pages from the cache registers to different planes of the NAND Flash array. This is done by prepending one or more COPYBACK PROGRAM (85h-11h) commands in front of the COPYBACK PROGRAM (85h-10h) command. See Multi-Plane Operations for details.



32Gb, 64Gb, 128Gb, 256Gb Asynchronous/Synchronous NAND Copyback Operations

COPYBACK READ (00h-35h)

The COPYBACK READ (00h-35h) command is functionally identical to the READ PAGE (00h-30h) command, except that 35h is written to the command register instead of 30h. See READ PAGE (00h-30h) (page 89) for further details.

Though it is not required, it is recommended that the host read the data out of the device to verify the data prior to issuing the COPYBACK PROGRAM (85h-10h) command to prevent the propagation of data errors.

Figure 67: COPYBACK READ (00h-35h) Operation

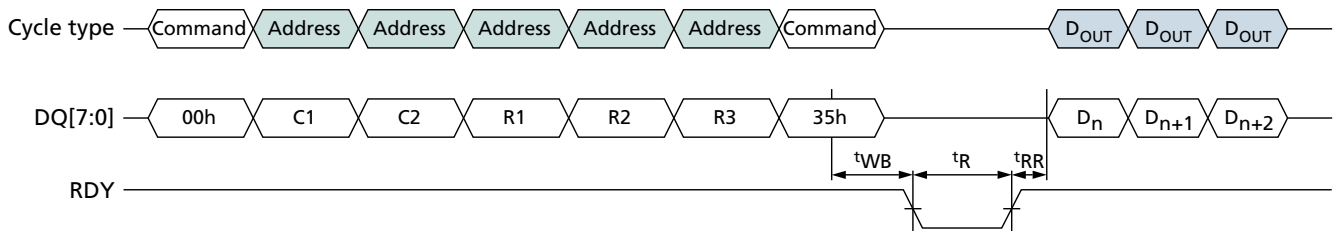
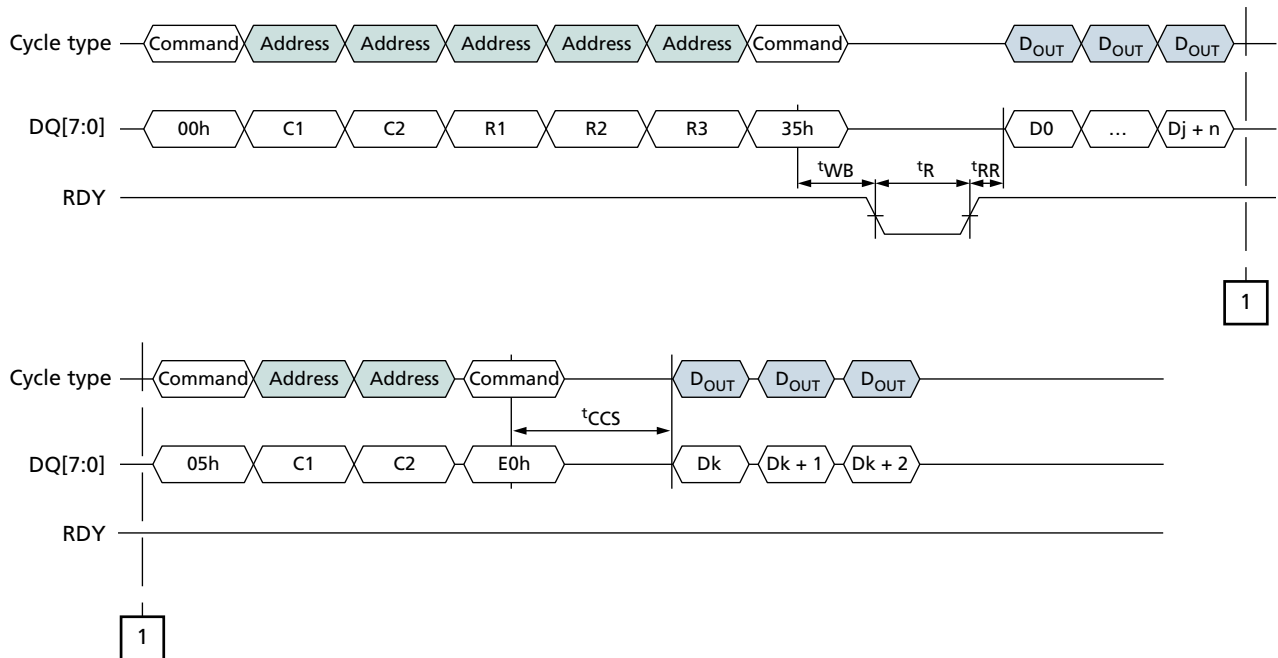


Figure 68: COPYBACK READ (00h-35h) with CHANGE READ COLUMN (05h-E0h) Operation





32Gb, 64Gb, 128Gb, 256Gb Asynchronous/Synchronous NAND Copyback Operations

COPYBACK PROGRAM (85h-10h)

The COPYBACK PROGRAM (85h-10h) command is functionally identical to the PROGRAM PAGE (80h-10h) command, except that when 85h is written to the command register, cache register contents are not cleared. See PROGRAM PAGE (80h-10h) for further details.

Figure 69: COPYBACK PROGRAM (85h-10h) Operation

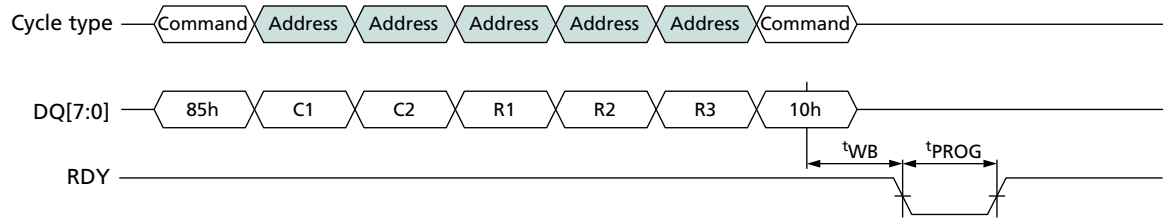
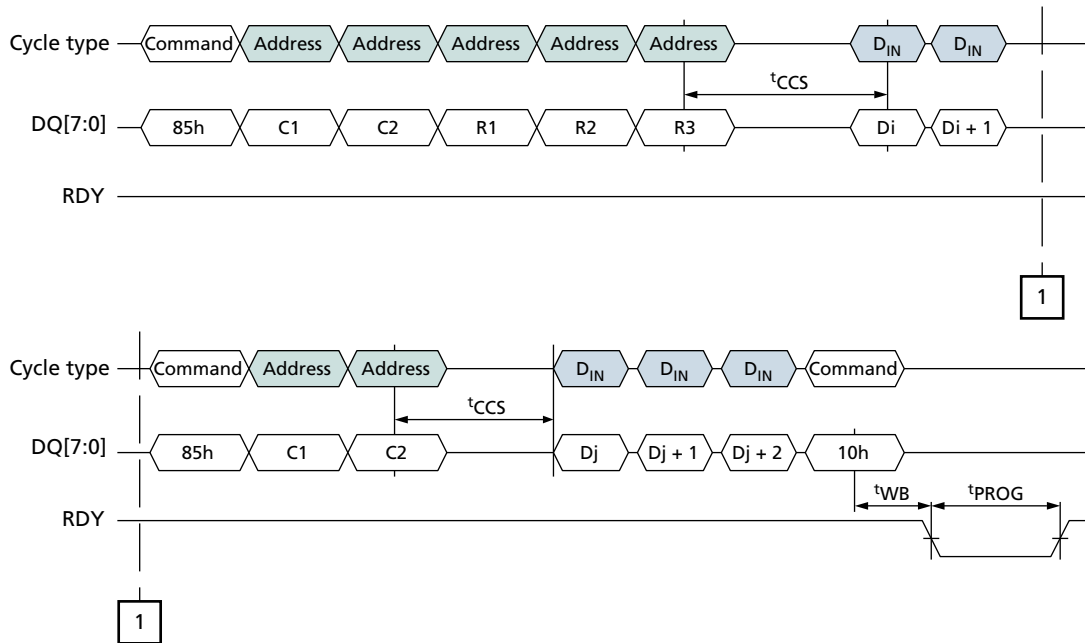


Figure 70: COPYBACK PROGRAM (85h-10h) with CHANGE WRITE COLUMN (85h) Operation



COPYBACK READ MULTI-PLANE (00h-32h)

The COPYBACK READ MULTI-PLANE (00h-32h) command is functionally identical to the READ PAGE MULTI-PLANE (00h-32h) command, except that the 35h command is written as the final command. The complete command sequence for the COPYBACK READ PAGE MULTI-PLANE is 00h-32h-00h-35h. See READ PAGE MULTI-PLANE (00h-32h) (page 94) for further details.

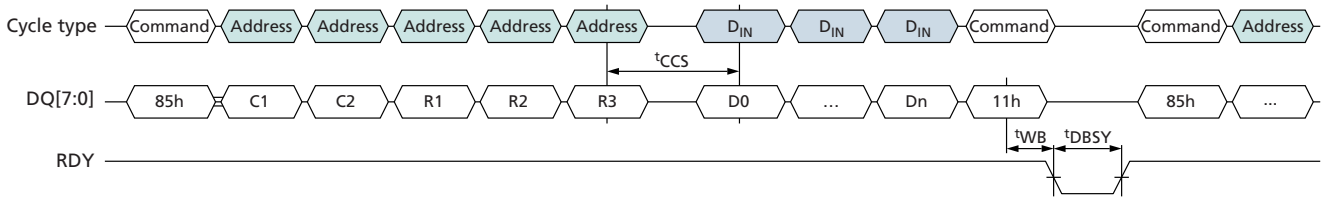


32Gb, 64Gb, 128Gb, 256Gb Asynchronous/Synchronous NAND Copyback Operations

COPYBACK PROGRAM MULTI-PLANE (85h-11h)

The COPYBACK PROGRAM MULTI-PLANE (85h-11h) command is functionally identical to the PROGRAM PAGE MULTI-PLANE (80h-11h) command, except that when 85h is written to the command register, cache register contents are not cleared. See PROGRAM PAGE MULTI-PLANE (80h-11h) for further details.

Figure 71: COPYBACK PROGRAM MULTI-PLANE (85h-11h) Operation





One-Time Programmable (OTP) Operations

This Micron NAND Flash device offers a protected, one-time programmable NAND Flash memory area. Each target has a an OTP area with a range of OTP pages (see Table 15 (page 109)); the entire range is guaranteed to be good. Customers can use the OTP area in any way they desire; typical uses include programming serial numbers or other data for permanent storage.

The OTP area leaves the factory in an erased state (all bits are 1). Programming an OTP page changes bits that are 1 to 0, but cannot change bits that are 0 to 1. The OTP area cannot be erased, even if it is not protected. Protecting the OTP area prevents further programming of the pages in the OTP area.

Enabling the OTP Operation Mode

The OTP area is accessible while the OTP operation mode is enabled. To enable OTP operation mode, issue the SET FEATURES (EFh) command to feature address 90h and write 01h to P1, followed by three cycles of 00h to P2 through P4.

When the target is in OTP operation mode, all subsequent PAGE READ (00h-30h) and PROGRAM PAGE (80h-10h) commands are applied to the OTP area.

ERASE commands are not valid while the target is in OTP operation mode.

Programming OTP Pages

Each page in the OTP area is programming using the PROGRAM OTP PAGE (80h-10h) command. Each page can be programmed more than once, in sections, up to the maximum number allowed (see NOP in Table 15 (page 109)). The pages in the OTP area must be programmed in ascending order.

If the host issues a PAGE PROGRAM (80h-10h) command to an address beyond the maximum page-address range, the target will be busy for 'OBSY and the WP# status register bit will be 0, meaning that the page is write-protected.

Protecting the OTP Area

To protect the OTP area, issue the OTP PROTECT (80h-10h) command to the OTP Protect Page. When the OTP area is protected it cannot be programmed further. It is not possible to unprotect the OTP area after it has been protected.

Reading OTP Pages

To read pages in the OTP area, whether the OTP area is protected or not, issue the PAGE READ (00h-30h) command.

If the host issues the PAGE READ (00h-30h) command to an address beyond the maximum page-address range, the data output will not be valid. To determine whether the target is busy during an OTP operation, either monitor R/B# or use the READ STATUS (70h) command. Use of the READ STATUS ENHANCED (78h) command is prohibited while the OTP operation is in progress.

Returning to Normal Array Operation Mode

To exit OTP operation mode and return to normal array operation mode, issue the SET FEATURES (EFh) command to feature address 90h and write 00h to P1 through P4.

If the RESET (FFh) command is issued while in OTP operation mode, the target will exit OTP operation mode and enter normal operating mode. If the synchronous interface is active, the target will exit OTP operation and enable the asynchronous interface.



32Gb, 64Gb, 128Gb, 256Gb Asynchronous/Synchronous NAND One-Time Programmable (OTP) Operations

If the SYNCHRONOUS RESET (FCh) command is issued while in the OTP operation mode, the target will exit OTP operation mode and the synchronous interface remains active.

Table 15: OTP Area Details

Description	Value
Number of OTP pages	30
OTP protect page address	01h
OTP start page address	02h
Number of partial page programs (NOP) to each OTP page	4

PROGRAM OTP PAGE (80h-10h)

The PROGRAM OTP PAGE (80h-10h) command is used to write data to the pages within the OTP area. To program data in the OTP area, the target must be in OTP operation mode.

To use the PROGRAM OTP PAGE (80h-10h) command, issue the 80h command. Issue five address cycles including the column address, the page address within the OTP page range, and a block address of 0. Next, write the data to the cache register using data input cycles. After data input is complete, issue the 10h command.

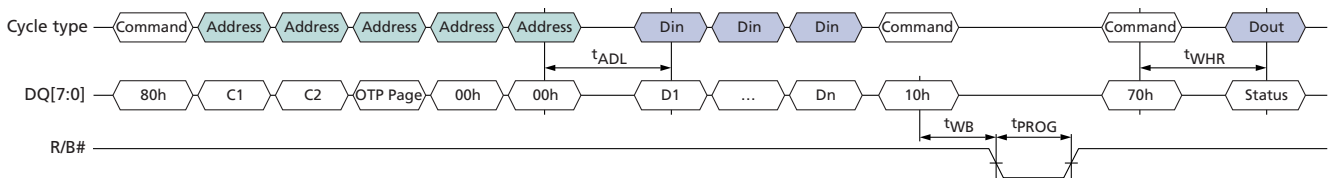
R/B# goes LOW for the duration of the array programming time, t_{PROG} . The READ STATUS (70h) command is the only valid command for reading status in OTP operation mode. The RDY bit of the status register will reflect the state of R/B#. Use of the READ STATUS ENHANCED (78h) command is prohibited.

When the target is ready, read the FAIL bit of the status register to determine whether the operation passed or failed (see Status Operations).

The PROGRAM OTP PAGE (80h-10h) command also accepts the CHANGE WRITE COLUMN (85h) command during data input.

If a PROGRAM PAGE command is issued to the OTP area after the area has been protected, then R/B# goes LOW for t_{OBSY} . After t_{OBSY} , the status register is set to 60h.

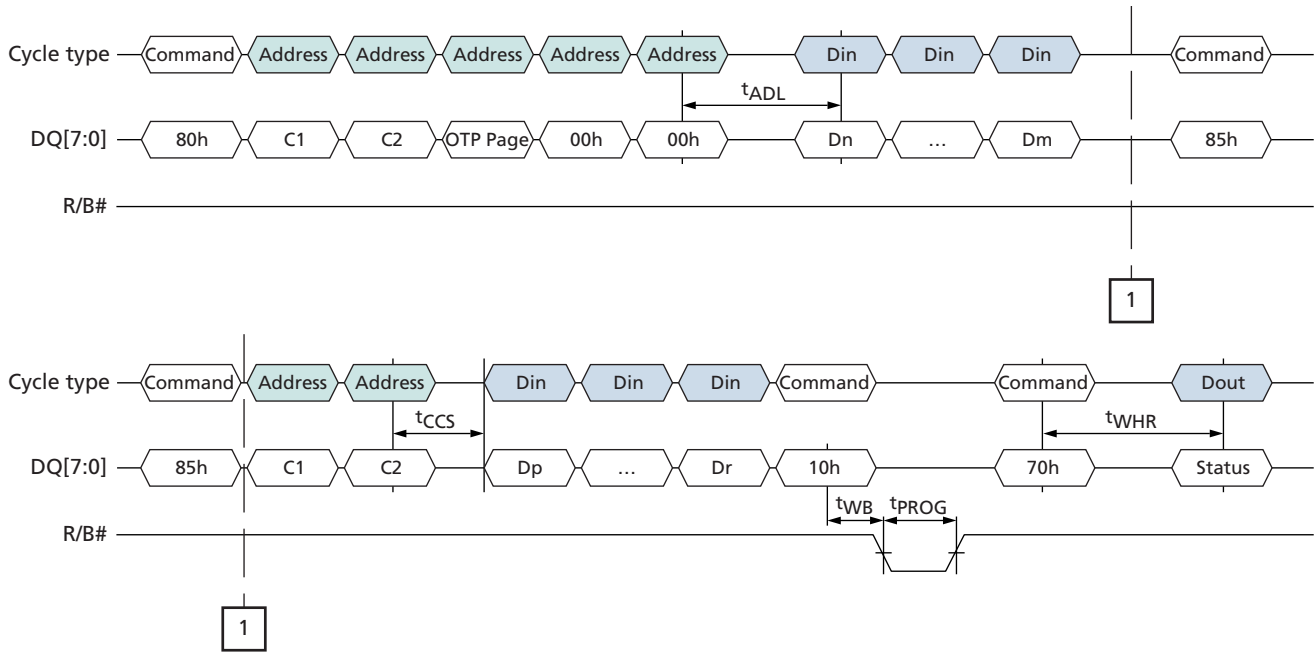
Figure 72: PROGRAM OTP PAGE (80h-10h) Operation





32Gb, 64Gb, 128Gb, 256Gb Asynchronous/Synchronous NAND One-Time Programmable (OTP) Operations

Figure 73: PROGRAM OTP PAGE (80h-10h) with CHANGE WRITE COLUMN (85h) Operation



PROTECT OTP AREA (80h-10h)

The PROTECT OTP AREA (80h-10h) command is used to prevent further programming of the pages in the OTP area. The protect the OTP area, the target must be in OTP operation mode.

To protect all data in the OTP area, issue the 80h command. Issue five address cycles including the column address, OTP protect page address and block address; the column and block addresses are fixed to 0. Next, write 00h data for the first byte location and issue the 10h command.

R/B# goes LOW for the duration of the array programming time, t_{PROG} . The READ STATUS (70h) command is the only valid command for reading status in OTP operation mode. The RDY bit of the status register will reflect the state of R/B#. Use of the READ STATUS ENHANCED (78h) command is prohibited.

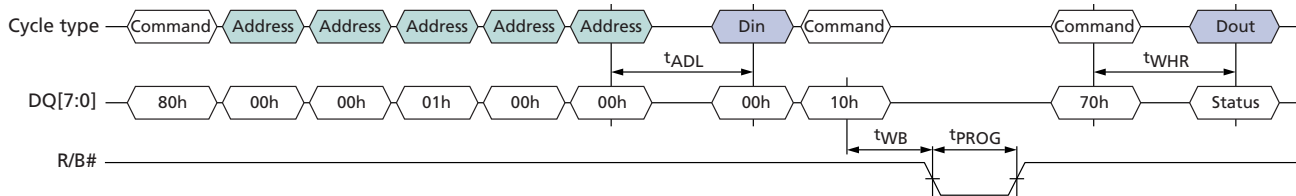
When the target is ready, read the FAIL bit of the status register to determine if the operation passed or failed (see Status Operations).

If the PROTECT OTP AREA (80h-10h) command is issued after the OTP area has already been protected, R/B# goes LOW for t_{OBSY} . After t_{OBSY} , the status register is set to 60h.



32Gb, 64Gb, 128Gb, 256Gb Asynchronous/Synchronous NAND One-Time Programmable (OTP) Operations

Figure 74: PROTECT OTP AREA (80h-10h) Operation



Note: 1. OTP data is protected following a status confirmation.

READ OTP PAGE (00h-30h)

The READ OTP PAGE (00h-30h) command is used to read data from the pages in the OTP area. To read data in the OTP area, the target must be in OTP operation mode.

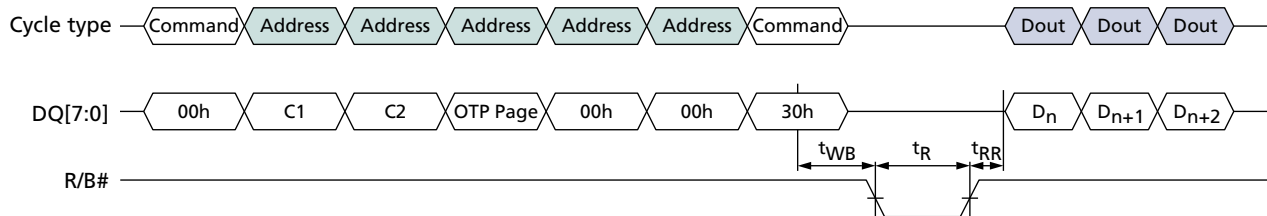
To use the READ OTP PAGE (00h-30h) command, issue the 00h command. Issue five address cycles including the column address, the page address within the OTP page range, and a block address of 0. Next, issue the 30h command. The selected die (LUN) will go busy (RDY = 0, ARDY = 0) for t_R as data is transferred.

To determine the progress of the data transfer, the host can monitor the target's R/B# signal, or alternatively the READ STATUS (70h) command can be used. If the status operations are used to monitor the die's (LUN's) status, when the die (LUN) is ready (RDY = 1, ARDY = 1) the host disables status output and enables data output by issuing the READ MODE (00h) command. When the host requests data output, it begins at the column address specified.

Additional pages within the OTP area can be read by repeating the READ OTP PAGE (00h-30h) command.

The READ OTP PAGE (00h-30h) command is compatible with the CHANGE READ COLUMN (05h-E0h) command. Use of the READ STATUS ENHANCED (78h) and CHANGE READ COLUMN ENHANCED (06h-E0h) commands are prohibited.

Figure 75: READ OTP PAGE (00h-30h) Operation





Multi-Plane Operations

Each NAND Flash logical unit (LUN) is divided into multiple physical planes. Each plane contains a cache register and a data register independent of the other planes. The planes are addressed via the low-order block address bits. Specific details are provided in Device and Array Organization.

Multi-plane operations make better use of the NAND Flash arrays on these physical planes by performing concurrent READ, PROGRAM, or ERASE operations on multiple planes, significantly improving system performance. Multi-plane operations must be of the same type across the planes; for example, it is not possible to perform a PROGRAM operation on one plane with an ERASE operation on another.

When issuing MULTI-PLANE PROGRAM or ERASE operations, use the READ STATUS (70h) command and check whether the previous operation(s) failed. If the READ STATUS (70h) command indicates that an error occurred (FAIL = 1 and/or FAILC = 1), use the READ STATUS ENHANCED (78h) command—time for each plane—to determine which plane operation failed.

Multi-Plane Addressing

Multi-plane commands require an address per operational plane. For a given multi-plane operation, these addresses are subject to the following requirements:

- The LUN address bit(s) must be identical for all of the issued addresses.
- The plane select bit, BA[7], must be different for each issued address.
- The page address bits, PA[6:0], must be identical for each issued address.

The READ STATUS (70h) command should be used following MULTI-PLANE PROGRAM PAGE and ERASE BLOCK operations on a single die (LUN).



Interleaved Die (Multi-LUN) Operations

In devices that have more than one die (LUN) per target, it is possible to improve performance by interleaving operations between the die (LUNs). An interleaved die (multi-LUN) operation is one that individual die (LUNs) involved may be in any combination of busy or ready status during operations.

Interleaved die (multi-LUN) operations are prohibited following RESET (FFh, FCh), identification (90h, ECh, EDh), and configuration (EEh, EFh) operations until ARDY =1 for all of the die (LUNs) on the target.

During an interleaved die (multi-LUN) operation, there are two methods to determine operation completion. The R/B# signal indicates when all of the die (LUNs) have finished their operations. R/B# remains LOW while any die (LUN) is busy. When R/B# goes HIGH, all of the die (LUNs) are idle and the operations are complete. Alternatively, the READ STATUS ENHANCED (78h) command can report the status of each die (LUN) individually.

If a die (LUN) is performing a cache operation, like PROGRAM PAGE CACHE (80h-15h), then the die (LUN) is able to accept the data for another cache operation when status register bit 6 is 1. All operations, including cache operations, are complete on a die when status register bit 5 is 1.

Use the READ STATUS ENHANCED (78h) command to monitor status for the addressed die (LUN). When multi-plane commands are used with interleaved die (multi-LUN) operations, the multi-plane commands must also meet the requirements, see Multi-Plane Operations for details. After the READ STATUS ENHANCED (78h) command has been issued, the READ STATUS (70h) command may be issued for the previously addressed die (LUN).

See Command Definitions for the list of commands that can be issued while other die (LUNs) are busy.

During an interleaved die (multi-LUN) operation that involves a PROGRAM-series (80h-10h, 80h-15h, 80h-11h) operation and a READ operation, the PROGRAM-series operation must be issued before the READ-series operation. The data from the READ-series operation must be output to the host before the next PROGRAM-series operation is issued. This is because the 80h command clears the cache register contents of all cache registers on all planes.

When issuing combinations of commands to multiple die (LUNs) (e.g. Reads to one die (LUN) and Programs to another die (LUN)) or Reads to one die (LUN) and Reads to another die (LUN)), the host shall issue the READ STATUS ENHANCED (78h) command before reading data from any LUN. This ensures that only the LUN selected by the READ STATUS ENHANCED (78h) command responds to a data output cycle after being put into data output mode, and thus avoiding bus contention. After the READ STATUS ENHANCED (78h) command is issued to the selected die (LUN) a CHANGE READ COLUMN (05h-E0h) or CHANGE READ COLUMN ENHANCED (06h-E0h) command shall be issued prior to any data output from the selected die (LUN).



Error Management

Each NAND Flash die (LUN) is specified to have a minimum number of valid blocks (NVB) of the total available blocks. This means the die (LUNs) could have blocks that are invalid when shipped from the factory. An invalid block is one that contains at least one page that has more bad bits than can be corrected by the minimum required ECC. Additional blocks can develop with use. However, the total number of available blocks per die (LUN) will not fall below NVB during the endurance life of the product.

Although NAND Flash memory devices could contain bad blocks, they can be used quite reliably in systems that provide bad-block management and error-correction algorithms. This type of software environment ensures data integrity.

Internal circuitry isolates each block from other blocks, so the presence of a bad block does not affect the operation of the rest of the NAND Flash array.

NAND Flash devices are shipped from the factory erased. The factory identifies invalid blocks before shipping by attempting to program the bad-block mark into every location in the first page of each invalid block. It may not be possible to program every location with the bad-block mark. However, the first spare area location in each bad block is guaranteed to contain the bad-block mark. This method is compliant with ONFI Factory Defect Mapping requirements. See the following table for the first spare area location and the bad-block mark.

System software should check the first spare area location on the first page of each block prior to performing any PROGRAM or ERASE operations on the NAND Flash device. A bad block table can then be created, enabling system software to map around these areas. Factory testing is performed under worst-case conditions. Because invalid blocks could be marginal, it may not be possible to recover this information if the block is erased.

Over time, some memory locations may fail to program or erase properly. In order to ensure that data is stored properly over the life of the NAND Flash device, the following precautions are required:

- Always check status after a PROGRAM or ERASE operation
- Under typical conditions, use the minimum required ECC (see table below)
- Use bad-block management and wear-leveling algorithms

The first block (physical block address 00h) for each CE# is guaranteed to be valid with ECC when shipped from the factory.

Table 16: Error Management Details

Description	Requirement
Minimum number of valid blocks (NVB) per LUN	4016
Total available blocks per LUN	4096
First spare area location	Byte 8192
Bad-block mark	00h
Minimum required ECC	8-bit ECC per 540 bytes of data



32Gb, 64Gb, 128Gb, 256Gb Asynchronous/Synchronous NAND Output Drive Impedance

Output Drive Impedance

Because NAND Flash is designed for use in systems that are typically point-to-point connections, an option to control the drive strength of the output buffers is provided. Drive strength should be selected based on the expected loading of the memory bus. There are four supported settings for the output drivers: overdrive 2, overdrive 1, nominal, and underdrive.

The nominal output drive strength setting is the power-on default value. The host can select a different drive strength setting using the SET FEATURES (EFh) command.

The output impedance range from minimum to maximum covers process, voltage, and temperature variations. Devices are not guaranteed to be at the nominal line.

Table 17: Output Drive Strength Conditions ($V_{CCQ} = 1.7-1.95V$)

Range	Process	Voltage	Temperature
Minimum	Fast-Fast	1.95V	T_A (MIN)
Nominal	Typical-Typical	1.8V	+25°C
Maximum	Slow-Slow	1.7V	T_A (MAX)

Table 18: Output Drive Strength Impedance Values ($V_{CCQ} = 1.7-1.95V$)

Output Strength	Rpd/Rpu	V_{OUT} to V_{SSQ}	Minimum	Nominal	Maximum	Unit
Overdrive 2	Rpd	$V_{CCQ} \times 0.2$	7.5	13.5	34	ohms
		$V_{CCQ} \times 0.5$	9	18	31	ohms
		$V_{CCQ} \times 0.8$	11	23.5	44	ohms
	Rpu	$V_{CCQ} \times 0.2$	11	23.5	44	ohms
		$V_{CCQ} \times 0.5$	9	18	31	ohms
		$V_{CCQ} \times 0.8$	7.5	13.5	34	ohms
Overdrive 1	Rpd	$V_{CCQ} \times 0.2$	10.5	19	47	ohms
		$V_{CCQ} \times 0.5$	13	25	44	ohms
		$V_{CCQ} \times 0.8$	16	32.5	61.5	ohms
	Rpu	$V_{CCQ} \times 0.2$	16	32.5	61.5	ohms
		$V_{CCQ} \times 0.5$	13	25	44	ohms
		$V_{CCQ} \times 0.8$	10.5	19	47	ohms
Nominal	Rpd	$V_{CCQ} \times 0.2$	15	27	66.5	ohms
		$V_{CCQ} \times 0.5$	18	35	62.5	ohms
		$V_{CCQ} \times 0.8$	22	52	88	ohms
	Rpu	$V_{CCQ} \times 0.2$	22	52	88	ohms
		$V_{CCQ} \times 0.5$	18	35	62.5	ohms
		$V_{CCQ} \times 0.8$	15	27	66.5	ohms



32Gb, 64Gb, 128Gb, 256Gb Asynchronous/Synchronous NAND Output Drive Impedance

Table 18: Output Drive Strength Impedance Values ($V_{CCQ} = 1.7-1.95V$) (Continued)

Output Strength	Rpd/Rpu	V_{OUT} to V_{SSQ}	Minimum	Nominal	Maximum	Unit
Underdrive	Rpd	$V_{CCQ} \times 0.2$	21.5	39	95	ohms
		$V_{CCQ} \times 0.5$	26	50	90	ohms
		$V_{CCQ} \times 0.8$	31.5	66.5	126.5	ohms
	Rpu	$V_{CCQ} \times 0.2$	31.5	66.5	126.5	ohms
		$V_{CCQ} \times 0.5$	26	50	90	ohms
		$V_{CCQ} \times 0.8$	21.5	39	95	ohms

Table 19: Output Drive Strength Conditions ($V_{CCQ} = 2.7-3.6V$)

Range	Process	Voltage	Temperature
Minimum	Fast-Fast	3.6V	T_A (MIN)
Nominal	Typical-Typical	3.3V	+25°C
Maximum	Slow-Slow	2.7V	T_A (MAX)

Table 20: Output Drive Strength Impedance Values ($V_{CCQ} = 2.7-3.6V$)

Output Strength	Rpd/Rpu	V_{OUT} to V_{SSQ}	Minimum	Nominal	Maximum	Unit
Overdrive 2	Rpd	$V_{CCQ} \times 0.2$	7.0	16.2	28.7	ohms
		$V_{CCQ} \times 0.5$	9.0	18.0	36.0	ohms
		$V_{CCQ} \times 0.8$	11.8	21.0	50.0	ohms
	Rpu	$V_{CCQ} \times 0.2$	11.8	21.0	50.0	ohms
		$V_{CCQ} \times 0.5$	9.0	18.0	36.0	ohms
		$V_{CCQ} \times 0.8$	7.0	14.0	28.7	ohms
Overdrive 1	Rpd	$V_{CCQ} \times 0.2$	9.3	22.3	40.0	ohms
		$V_{CCQ} \times 0.5$	12.6	25.0	50.0	ohms
		$V_{CCQ} \times 0.8$	16.3	29.0	68.0	ohms
	Rpu	$V_{CCQ} \times 0.2$	16.3	29.0	68.0	ohms
		$V_{CCQ} \times 0.5$	12.6	25.0	50.0	ohms
		$V_{CCQ} \times 0.8$	9.3	19.0	40.0	ohms
Nominal	Rpd	$V_{CCQ} \times 0.2$	12.8	32.0	58.0	ohms
		$V_{CCQ} \times 0.5$	18.0	35.0	70.0	ohms
		$V_{CCQ} \times 0.8$	23.0	40.0	95.0	ohms
	Rpu	$V_{CCQ} \times 0.2$	23.0	40.0	95.0	ohms
		$V_{CCQ} \times 0.5$	18.0	35.0	70.0	ohms
		$V_{CCQ} \times 0.8$	12.8	32.0	58.0	ohms



32Gb, 64Gb, 128Gb, 256Gb Asynchronous/Synchronous NAND Output Drive Impedance

Table 20: Output Drive Strength Impedance Values ($V_{CCQ} = 2.7\text{--}3.6\text{V}$) (Continued)

Output Strength	Rpd/Rpu	V_{OUT} to V_{SSQ}	Minimum	Nominal	Maximum	Unit
Underdrive	Rpd	$V_{CCQ} \times 0.2$	18.4	45.0	80.0	ohms
		$V_{CCQ} \times 0.5$	25.0	50.0	100.0	ohms
		$V_{CCQ} \times 0.8$	32.0	57.0	136.0	ohms
	Rpu	$V_{CCQ} \times 0.2$	32.0	57.0	136.0	ohms
		$V_{CCQ} \times 0.5$	25.0	50.0	100.0	ohms
		$V_{CCQ} \times 0.8$	18.4	45.0	80.0	ohms

Table 21: Pull-Up and Pull-Down Output Impedance Mismatch

Drive Strength	Minimum	Maximum	Unit	Notes
Overdrive 2	0	6.3	ohms	1, 2
Overdrive 1	0	8.8	ohms	1, 2
Nominal	0	12.3	ohms	1, 2
Underdrive	0	17.5	ohms	1, 2

- Notes:
- Mismatch is the absolute value between pull-up and pull-down impedances. Both are measured at the same temperature and voltage.
 - Test conditions: $V_{CCQ} = V_{CCQ} (\text{MIN})$, $V_{OUT} = V_{CCQ} \times 0.5$, $T_A = T_{OPER}$.



32Gb, 64Gb, 128Gb, 256Gb Asynchronous/Synchronous NAND AC Overshoot/Undershoot Specifications

AC Overshoot/Undershoot Specifications

The supported AC overshoot and undershoot area depends on the timing mode selected by the host.

Table 22: Asynchronous Overshoot/Undershoot Parameters

Parameter	Timing Mode						Unit
	0	1	2	3	4	5	
Maximum peak amplitude provided for overshoot area	1	1	1	1	1	1	V
Maximum peak amplitude provided for undershoot area	1	1	1	1	1	1	V
Maximum overshoot area above V_{CCQ}	3	3	3	3	3	3	V-ns
Maximum undershoot area below V_{SSQ}	3	3	3	3	3	3	V-ns

Table 23: Synchronous Overshoot/Undershoot Parameters

Parameter	Timing Mode						Unit
	0	1	2	3	4	5	
Maximum peak amplitude provided for overshoot area	1	1	1	1	1	1	V
Maximum peak amplitude provided for undershoot area	1	1	1	1	1	1	V
Maximum overshoot area above V_{CCQ}	3	3	3	2.25	1.8	1.5	V-ns
Maximum undershoot area below V_{SSQ}	3	3	3	2.25	1.8	1.5	V-ns

Figure 76: Overshoot

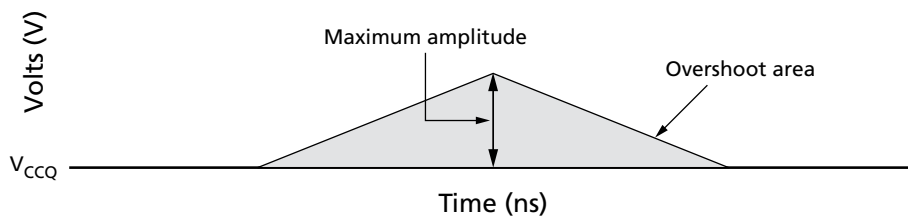
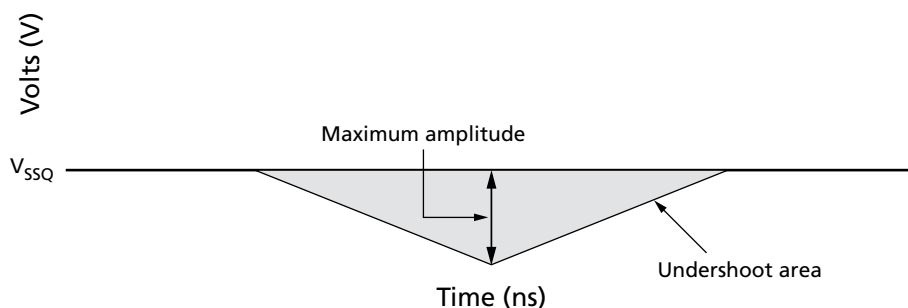


Figure 77: Undershoot





32Gb, 64Gb, 128Gb, 256Gb Asynchronous/Synchronous NAND Synchronous Input Slew Rate

Synchronous Input Slew Rate

Though all AC timing parameters are tested with a nominal input slew rate of 1 V/ns, it is possible to run the device at a slower slew rate. The input slew rates shown below are sampled, and not 100% tested. When using slew rates slower than the minimum values, timing must be derated by the host.

Table 24: Test Conditions for Input Slew Rate

Parameter	Value
Rising edge	$V_{IL(DC)}$ To $V_{IH(AC)}$
Falling edge	$V_{IH(DC)}$ To $V_{IL(AC)}$
Temperature range	T_A

Table 25: Input Slew Rate ($V_{CCQ} = 1.7-1.95V$)

Command/ Address and DQ V/ns	CLK/DQS Slew Rate Derating $V_{IH(AC)}/V_{IL(AC)} = 540mV$, $V_{IH(DC)}/V_{IL(DC)} = 360mV$																Unit
	1		0.9		0.8		0.7		0.6		0.5		0.4		0.3		
	set	hold	set	hold	set	hold	set	hold	set	hold	set	hold	set	hold	set	hold	
1	0	0	0	0	-	-	-	-	-	-	-	-	-	-	-	-	ps
0.9	0	0	0	0	0	0	-	-	-	-	-	-	-	-	-	-	ps
0.8	-	-	0	0	0	0	0	0	-	-	-	-	-	-	-	-	ps
0.7	-	-	-	-	0	0	0	0	0	0	-	-	-	-	-	-	ps
0.6	-	-	-	-	-	-	0	0	0	0	0	0	-	-	-	-	ps
0.5	-	-	-	-	-	-	-	-	0	0	0	0	180	180	-	-	ps
0.4	-	-	-	-	-	-	-	-	-	-	180	180	360	360	660	660	ps
0.3	-	-	-	-	-	-	-	-	-	-	-	-	660	660	920	920	ps



Output Slew Rate

The output slew rate is tested using the following setup with only one die per DQ channel.

Table 26: Test Conditions for Output Slew Rate

Parameter	Value
$V_{OL(DC)}$	$0.3 \times V_{CCQ}$
$V_{OH(DC)}$	$0.7 \times V_{CCQ}$
$V_{OL(AC)}$	$0.2 \times V_{CCQ}$
$V_{OH(AC)}$	$0.8 \times V_{CCQ}$
Rising edge (t_{RISE})	$V_{OL(DC)}$ to $V_{OH(AC)}$
Falling edge (t_{FALL})	$V_{OH(DC)}$ to $V_{OL(AC)}$
Output capacitive load (C_{LOAD})	5pF
Temperature range	T_A

Table 27: Output Slew Rate ($V_{CCQ} = 1.7\text{--}1.95\text{V}$)

Output Drive Strength	Min	Max	Unit
Overdrive 2	1	5.5	V/ns
Overdrive 1	0.85	5	V/ns
Nominal	0.75	4	V/ns
Underdrive	0.6	4	V/ns

Table 28: Output Slew Rate ($V_{CCQ} = 2.7\text{--}3.6\text{V}$)

Output Drive Strength	Min	Max	Unit
Overdrive 2	1.5	10.0	V/ns
Overdrive 1	1.5	9.0	V/ns
Nominal	1.2	7.0	V/ns
Underdrive	1.0	5.5	V/ns



Electrical Specifications

Stresses greater than those listed can cause permanent damage to the device. This is a stress rating only, and functional operation of the device at these or any other conditions above those indicated in the operational sections of this specification is not guaranteed. Exposure to absolute maximum rating conditions for extended periods can affect reliability.

Table 29: Absolute Maximum Ratings by Device

Parameter	Symbol	Min ¹	Max ¹	Unit
Voltage input	V_{IN}	-0.6	4.6	V
V_{CC} supply voltage	V_{CC}	-0.6	4.6	V
V_{CCQ} supply voltage	V_{CCQ}	-0.6	4.6	V
Storage temperature	T_{STG}	-65	150	°C

Note: 1. Voltage on any pin relative to V_{SS} .

Table 30: Recommended Operating Conditions

Parameter		Symbol	Min	Typ	Max	Unit
Operating temperature	Commercial	T_A	0	–	70	°C
	Industrial		–40	–	+85	
V_{CC} supply voltage		V_{CC}	2.7	3.3	3.6	V
V_{CCQ} supply voltage (1.8V)		V_{CCQ}	1.7	1.8	1.95	V
V_{CCQ} supply voltage (3.3V)			2.7	3.3	3.6	V
V_{SS} ground voltage		V_{SS}	0	0	0	V

Table 31: Valid Blocks per LUN

Parameter	Symbol	Min	Max	Unit	Notes
Valid block number	NVB	4016	4096	Blocks	1

Note: 1. Invalid blocks are blocks that contain one or more bad bits beyond ECC. The device may contain bad blocks upon shipment. Additional bad blocks may develop over time; however, the total number of available blocks will not drop below NVB during the endurance life of the device. Do not erase or program blocks marked invalid from the factory.



32Gb, 64Gb, 128Gb, 256Gb Asynchronous/Synchronous NAND Electrical Specifications

Table 32: Capacitance: 100-Ball BGA Package

Notes 1 and 2 apply to entire table

Description	Symbol	Single Die/Dual Die Package			Quad Die Package			Octal Die Package			Unit	Notes
		Min	Typ	Max	Min	Typ	Max	Min	Typ	Max		
Input capacitance (CLK)	C_{CK}	3.8	4.8	5.8	5.8	7.3	8.8	9.9	11.9	13.9	pF	3
Input capacitance (ALE, CLE, W/R#)	C_{IN}	2.7	3.7	4.7	4.9	6.4	7.9	8.9	10.9	12.9	pF	3
Input/output capacitance (DQ[7:0], DQS)	C_{IO}	3.4	4.4	5.4	6.1	7.6	9.1	11.4	13.4	15.4	pF	3
Input capacitance (CE#, WP#)	C_{OTHER}	–	–	5.8	–	–	8.8	–	–	13.9	pF	
Delta clock capacitance	DC_{CK}	–	–	1.4	–	–	1.7	–	–	2	pF	
Delta input capacitance	DC_{IN}	–	–	1.4	–	–	1.7	–	–	2	pF	
Delta input/output capacitance	DC_{IO}	–	–	1.4	–	–	1.7	–	–	2	pF	

- Notes:
1. Verified in device characterization; not 100% tested.
 2. Test conditions: $T_A = 25^\circ\text{C}$, $f = 100\text{ MHz}$, $V_{IN} = 0\text{V}$.
 3. Values for C_{CK} , C_{IN} and C_{IO} (TYP) are estimates.



32Gb, 64Gb, 128Gb, 256Gb Asynchronous/Synchronous NAND Electrical Specifications

Table 33: Capacitance: 132-Ball BGA Package

Notes 1 and 2 apply to entire table

Description	Symbol	Die Package			Quad Die Package			Octal Die Package			Unit	Notes
		Min	Typ	Max	Min	Typ	Max	Min	Typ	Max		
Input capacitance (CLK)	C _{CK}	3.5	4.5	5.5	5.4	6.9	8.4	9.9	11.9	13.9	pF	3
Input capacitance (ALE, CLE, W/R#)	C _{IN}	3.4	4.4	5.4	5.3	6.8	8.3	9.8	11.8	13.8	pF	3
Input/output capacitance (DQ[7:0], DQS)	C _{IO}	3.9	4.9	5.9	6.4	7.9	9.4	12.0	14.0	16.0	pF	3
Input capacitance (CE#, WP#)	C _{OTHER}	–	–	4.7	–	–	7.3	–	–	12.4	pF	
Delta clock capacitance	DC _{CK}	–	–	1.4	–	–	1.7	–	–	2	pF	
Delta input capacitance	DC _{IN}	–	–	1.4	–	–	1.7	–	–	2	pF	
Delta input/output capacitance	DC _{IO}	–	–	1.4	–	–	1.7	–	–	2	pF	

- Notes: 1. Verified in device characterization; not 100% tested.
 2. Test conditions: T_A = 25°C, f = 100 MHz, V_{IN} = 0V.
 3. Values for C_{CK}, C_{IN} and C_{IO} (TYP) are estimates.

Table 34: Capacitance: 48-Pin TSOP Package

Description	Symbol	Device	Max	Unit	Notes
Input capacitance – ALE, CE#, CLE, RE#, WE#, WP#	C _{IN}	Single die package	8	pF	1
		Dual die package	10		
		Quad die package	14		
Input/output capacitance – DQ[7:0]	C _{IO}	Single die package	6	pF	1
		Dual die package	10		
		Quad die package	18		

- Note: 1. These parameters are verified in device characterization and are not 100% tested. Test conditions: T_C = 25°C; f = 1 MHz; V_{in} = 0V.

Table 35: Capacitance: 52-Pad LGA Package

Description	Symbol	Device	Max	Unit	Notes
Input capacitance – ALE, CE#, CLE, RE#, WE#, WP#	C _{IN}	Quad die package	10	pF	1
		Octal die package	14		



32Gb, 64Gb, 128Gb, 256Gb Asynchronous/Synchronous NAND Electrical Specifications – DC Characteristics and Operating Conditions (Asynchronous)

Table 35: Capacitance: 52-Pad LGA Package (Continued)

Description	Symbol	Device	Max	Unit	Notes
Input/output capacitance – DQ[7:0]	C_{IO}	Quad die package	10	pF	1
		Octal die package	16		

Note: 1. These parameters are verified in device characterization and are not 100% tested. Test conditions: $T_C = 25^\circ\text{C}$; $f = 1\text{ MHz}$; $V_{in} = 0\text{V}$.

Table 36: Test Conditions

Parameter	Value	Notes
Rising input transition	$V_{IL(DC)}$ to $V_{IH(AC)}$	1
Falling input transition	$V_{IH(DC)}$ to $V_{IL(AC)}$	1
Input rise and fall slew rates	1 V/ns	–
Input and output timing levels	$V_{CCQ}/2$	–
Output load: Nominal output drive strength	$C_L = 5\text{pF}$	2, 3

- Notes:
- The receiver will effectively switch as a result of the signal crossing the AC input level; it will remain in that status as long as the signal does not ring back above (below) the DC input LOW (HIGH) level.
 - Transmission line delay is assumed to be very small.
 - This test setup applies to all package configurations.

Electrical Specifications – DC Characteristics and Operating Conditions (Asynchronous)

Table 37: DC Characteristics and Operating Conditions (Asynchronous Interface)

Parameter	Conditions	Symbol	Min ¹	Typ ¹	Max ¹	Unit
Array read current (active)	–	I_{CC1_A}	–	25	50	mA
Array program current (active)	–	I_{CC2_A}	–	25	50	mA
Erase current (active)	–	I_{CC3_A}	–	25	50	mA
I/O burst read current	$t_{RC} = t_{RC}(\text{MIN})$; $I_{OUT} = 0\text{mA}$	I_{CC4R_A}	–	8	10	mA
I/O burst write current	$t_{WC} = t_{WC}(\text{MIN})$	I_{CC4W_A}	–	8	10	mA
Bus idle current	–	I_{CC5_A}	–	3	5	mA
Current during first RESET command after power-on	–	I_{CC6}	–	–	10	mA
Standby current - V_{CC}	$CE\# = V_{CCQ} - 0.2\text{V}$; $WP\# = 0\text{V}/V_{CCQ}$	I_{SB}	–	10	50	μA
Standby current - V_{CCQ}	$CE\# = V_{CCQ} - 0.2\text{V}$; $WP\# = 0\text{V}/V_{CCQ}$	I_{SBQ}	–	3	10	μA
Staggered power-up current	$t_{RISE} = 1\text{ms}$; $C_{LINE} = 0.1\mu\text{F}$	I_{ST}	–	–	10	mA

Note: 1. All values are per die (LUN) unless otherwise specified.



32Gb, 64Gb, 128Gb, 256Gb Asynchronous/Synchronous NAND Electrical Specifications – DC Characteristics and Operating Conditions (Synchronous)

Electrical Specifications – DC Characteristics and Operating Conditions (Synchronous)

Table 38: DC Characteristics and Operating Conditions (Synchronous Interface)

Parameter	Conditions	Symbol	Min ¹	Typ ¹	Max ¹	Unit
Array read current (active)	CE# = V _{IL} ; t ^{CK} = t ^{CK} (MIN)	I _{CC1_S}	–	25	50	mA
Array program current (active)	t ^{CK} = t ^{CK} (MIN)	I _{CC2_S}	–	25	50	mA
Erase current (active)	t ^{CK} = t ^{CK} (MIN)	I _{CC3_S}	–	25	50	mA
I/O burst read current	t ^{CK} = t ^{CK} (MIN); I _{OUT} = 0mA	I _{CC4R_S}	–	20	27	mA
I/O burst write current	t ^{CK} = t ^{CK} (MIN)	I _{CC4W_S}	–	20	27	mA
Bus idle current	t ^{CK} = t ^{CK} (MIN)	I _{CC5_S}	–	5	10	mA
Standby current - V _{CC}	CE# = V _{CCQ} - 0.2V; WP# = 0V/V _{CCQ}	I _{SB}	–	10	50	μA
Standby Current - V _{CCQ}	CE# = V _{CCQ} - 0.2V; WP# = 0V/V _{CCQ}	I _{SBQ}	–	3	10	μA

Note: 1. All values are per die (LUN) unless otherwise specified.

Electrical Specifications – DC Characteristics and Operating Conditions (V_{CCQ})

Table 39: DC Characteristics and Operating Conditions (3.3V V_{CCQ})

Parameter	Condition	Symbol	Min	Typ	Max	Unit	Notes
AC input high voltage	CE#, DQ[7:0], DQS, ALE, CLE, CLK (WE#), W/R# (RE#), WP#	V _{IH(AC)}	0.8 × V _{CCQ}	–	V _{CCQ} + 0.3	V	
AC input low voltage		V _{IL(AC)}	–0.3	–	0.2 × V _{CCQ}	V	
DC input high voltage	DQ[7:0], DQS, ALE, CLE, CLK (WE#), W/R# (RE#)	V _{IH(DC)}	0.7 × V _{CCQ}	–	V _{CCQ} + 0.3	V	
DC input low voltage		V _{IL(DC)}	–0.3	–	0.3 × V _{CCQ}	V	
Input leakage current	Any input V _{IN} = 0V to V _{CCQ} (all other pins under test = 0V)	I _{LI}	–	–	±10	μA	
Output leakage current	DQ are disabled; V _{OUT} = 0V to V _{CCQ}	I _{LO}	–	–	±10	μA	1
Output low current (R/B#)	V _{OL} = 0.4V	I _{OL} (R/B#)	8	10	–	mA	2

- Notes:
- All leakage currents are per die (LUN). Two die (LUNs) have a maximum leakage current of ±20μA and four die (LUNs) have a maximum leakage current of ±40μA in the asynchronous interface.
 - DC characteristics may need to be relaxed if R/B# pull-down strength is not set to full strength. See Table 12 (page 76) for additional details.



32Gb, 64Gb, 128Gb, 256Gb Asynchronous/Synchronous NAND Electrical Specifications – DC Characteristics and Operating Conditions (V_{CCQ})

Table 40: DC Characteristics and Operating Conditions (1.8V V_{CCQ})

Parameter	Condition	Symbol	Min	Typ	Max	Unit	Notes
AC input high voltage	CE#, DQ[7:0], DQS, ALE, CLE, CLK (WE#), W/R# (R/E#), WP#	$V_{IH(AC)}$	$0.8 \times V_{CCQ}$	–	$V_{CCQ} + 0.3$	V	
AC input low voltage		$V_{IL(AC)}$	–0.3	–	$0.2 \times V_{CCQ}$	V	
DC input high voltage	DQ[7:0], DQS, ALE, CLE, CLK (WE#), W/R# (R/E#)	$V_{IH(DC)}$	$0.7 \times V_{CCQ}$	–	$V_{CCQ} + 0.3$	V	
DC input low voltage		$V_{IL(DC)}$	–0.3	–	$0.3 \times V_{CCQ}$	V	
Input leakage current	Any input $V_{IN} = 0V$ to V_{CCQ} (all other pins under test = 0V)	I_{LI}	–	–	± 10	μA	1
Output leakage current	DQ are disabled; $V_{out} = 0V$ to V_{CCQ}	I_{LO}	–	–	± 10	μA	1
Output low current (R/B#)	$V_{OL} = 0.2V$	I_{OL} (R/B#)	3	4	–	mA	

Note: 1. All leakage currents are per die (LUN). Two die (LUNs) have a maximum leakage current of $\pm 20\mu A$ and four die (LUNs) have a maximum leakage current of $\pm 40\mu A$ in the asynchronous interface.



32Gb, 64Gb, 128Gb, 256Gb Asynchronous/Synchronous NAND Electrical Specifications – AC Characteristics and Operating Conditions (Asynchronous)

Electrical Specifications – AC Characteristics and Operating Conditions (Asynchronous)

Table 41: AC Characteristics: Asynchronous Command, Address, and Data

Parameter	Symbol	Mode 0		Mode 1		Mode 2		Mode 3		Mode 4		Mode 5		Unit	Notes
		Min	Max	Min	Max	Min	Max	Min	Max	Min	Max	Min	Max		
Clock period		100		50		35		30		25		20		ns	
Frequency		≈10		≈20		≈28		≈33		≈40		≈50		MHz	
ALE to data start	^t ADL	200	–	100	–	100	–	100	–	70	–	70	–	ns	1
ALE hold time	^t ALH	20	–	10	–	10	–	5	–	5	–	5	–	ns	
ALE setup time	^t ALS	50	–	25	–	15	–	10	–	10	–	10	–	ns	
ALE to RE# delay	^t AR	25	–	10	–	10	–	10	–	10	–	10	–	ns	
CE# access time	^t CEA	–	100	–	45	–	30	–	25	–	25	–	25	ns	
CE# hold time	^t CH	20	–	10	–	10	–	5	–	5	–	5	–	ns	
CE# HIGH to output High-Z	^t CHZ	–	100	–	50	–	50	–	50	–	30	–	30	ns	2
CLE hold time	^t CLH	20	–	10	–	10	–	5	–	5	–	5	–	ns	
CLE to RE# delay	^t CLR	20	–	10	–	10	–	10	–	10	–	10	–	ns	
CLE setup time	^t CLS	50	–	25	–	15	–	10	–	10	–	10	–	ns	
CE# HIGH to output hold	^t COH	0	–	15	–	15	–	15	–	15	–	15	–	ns	
CE# setup time	^t CS	70	–	35	–	25	–	25	–	20	–	15	–	ns	
Data hold time	^t DH	20	–	10	–	5	–	5	–	5	–	5	–	ns	
Data setup time	^t DS	40	–	20	–	15	–	10	–	10	–	7	–	ns	
Output High-Z to RE# LOW	^t IR	10	–	0	–	0	–	0	–	0	–	0	–	ns	
RE# cycle time	^t RC	100	–	50	–	35	–	30	–	25	–	20	–	ns	
RE# access time	^t REA	–	40	–	30	–	25	–	20	–	20	–	16	ns	3
RE# HIGH hold time	^t REH	30	–	15	–	15	–	10	–	10	–	7	–	ns	3
RE# HIGH to output hold	^t RHOH	0	–	15	–	15	–	15	–	15	–	15	–	ns	3
RE# HIGH to WE# LOW	^t RHW	200	–	100	–	100	–	100	–	100	–	100	–	ns	
RE# HIGH to output High-Z	^t RHZ	–	200	–	100	–	100	–	100	–	100	–	100	ns	2, 3
RE# LOW to output hold	^t RLOH	0	–	0	–	0	–	0	–	5	–	5	–	ns	3
RE# pulse width	^t RP	50	–	25	–	17	–	15	–	12	–	10	–	ns	
Ready to RE# LOW	^t RR	40	–	20	–	20	–	20	–	20	–	20	–	ns	
WE# HIGH to R/B# LOW	^t WB	–	200	–	100	–	100	–	100	–	100	–	100	ns	4
WE# cycle time	^t WC	100	–	45	–	35	–	30	–	25	–	20	–	ns	



32Gb, 64Gb, 128Gb, 256Gb Asynchronous/Synchronous NAND Electrical Specifications – AC Characteristics and Operating Conditions (Asynchronous)

Table 41: AC Characteristics: Asynchronous Command, Address, and Data (Continued)

Parameter	Symbol	Mode 0		Mode 1		Mode 2		Mode 3		Mode 4		Mode 5		Unit	Notes
		Min	Max	Min	Max	Min	Max	Min	Max	Min	Max	Min	Max		
WE# HIGH hold time	t_{WH}	30	–	15	–	15	–	10	–	10	–	7	–	ns	
WE# HIGH to RE# LOW	t_{WHR}	120	–	80	–	80	–	60	–	60	–	60	–	ns	
WE# pulse width	t_{WP}	50	–	25	–	17	–	15	–	12	–	10	–	ns	
WP# transition to WE# LOW	t_{WW}	100	–	100	–	100	–	100	–	100	–	100	–	ns	

- Notes:
1. Timing for t_{ADL} begins in the address cycle, on the final rising edge of WE# and ends with the first rising edge of WE# for data input.
 2. Data transition is measured $\pm 200\text{mV}$ from steady-steady voltage with load. This parameter is sampled and not 100 percent tested.
 3. AC characteristics may need to be relaxed if output drive strength is not set to at least nominal.
 4. Do not issue a new command during t_{WB} , even if R/B# or RDY is ready.



32Gb, 64Gb, 128Gb, 256Gb Asynchronous/Synchronous NAND Electrical Specifications – AC Characteristics and Operating Conditions (Synchronous)

Electrical Specifications – AC Characteristics and Operating Conditions (Synchronous)

Table 42: AC Characteristics: Synchronous Command, Address, and Data

Parameter	Symbol	Mode 0		Mode 1		Mode 2		Mode 3		Mode 4		Mode 5		Unit	Notes
		Min	Max	Min	Max	Min	Max	Min	Max	Min	Max	Min	Max		
Clock period		50		30		20		15		12		10		ns	
Frequency		≈20		≈33		≈50		≈67		≈83		≈100		MHz	
Access window of DQ[7:0] from CLK	^t AC	3	20	3	20	3	20	3	20	3	20	3	20	ns	
ALE to data loading time	^t ADL	100	–	100	–	70	–	70	–	70	–	70	–	ns	
Command, address data delay	^t CAD	25	–	25	–	25	–	25	–	25	–	25	–	ns	1
ALE, CLE, W/R# hold	^t CALH	10	–	5	–	4	–	3	–	2.5	–	2	–	ns	
ALE, CLE, W/R# setup	^t CALS	10	–	5	–	4	–	3	–	2.5	–	2	–	ns	
DQ hold – command, address	^t CAH	10	–	5	–	4	–	3	–	2.5	–	2	–	ns	
DQ setup – command, address	^t CAS	10	–	5	–	4	–	3	–	2.5	–	2	–	ns	
CE# hold	^t CH	10	–	5	–	4	–	3	–	2.5	–	2	–	ns	
Average CLK cycle time	^t CK (avg)	50	100	30	50	20	30	15	20	12	15	10	12	ns	3
Absolute CLK cycle time, from rising edge to rising edge	^t CK (abs)	^t CK (abs) MIN = ^t CK (avg) + ^t JIT (per) MIN ^t CK (abs) MAX = ^t CK (avg) + ^t JIT (per) MAX												ns	
CLK cycle HIGH	^t CKH (abs)	0.43	0.57	0.43	0.57	0.43	0.57	0.43	0.57	0.43	0.57	0.43	0.57	^t CK	4
CLK cycle LOW	^t CKL (abs)	0.43	0.57	0.43	0.57	0.43	0.57	0.43	0.57	0.43	0.57	0.43	0.57	^t CK	4
Data output end to W/R# HIGH	^t CKWR	^t CKWR(MIN) = RoundUp[(^t DQSCK(MAX) + ^t CK)/ ^t CK]												^t CK	
CE# setup	^t CS	35	–	25	–	15	–	15	–	15	–	15	–	ns	
Data In hold	^t DH	5	–	2.5	–	1.7	–	1.3	–	1.1	–	0.8	–	ns	
Access window of DQS from CLK	^t DQSCK	–	20	–	20	–	20	–	20	–	20	–	20	ns	



32Gb, 64Gb, 128Gb, 256Gb Asynchronous/Synchronous NAND Electrical Specifications – AC Characteristics and Operating Conditions (Synchronous)

Table 42: AC Characteristics: Synchronous Command, Address, and Data (Continued)

Parameter	Symbol	Mode 0		Mode 1		Mode 2		Mode 3		Mode 4		Mode 5		Unit	Notes
		Min	Max	Min	Max	Min	Max	Min	Max	Min	Max	Min	Max		
DQS, DQ[7:0] Driven by NAND	^t DQSD	–	18	–	18	–	18	–	18	–	18	–	18	ns	
DQS, DQ[7:0] to tri-state	^t DQSHZ	–	20	–	20	–	20	–	20	–	20	–	20	ns	5
DQS input high pulse width	^t DQSH	0.4	0.6	0.4	0.6	0.4	0.6	0.4	0.6	0.4	0.6	0.4	0.6	^t CK	
DQS input low pulse width	^t DQSL	0.4	0.6	0.4	0.6	0.4	0.6	0.4	0.6	0.4	0.6	0.4	0.6	^t CK	
DQS-DQ skew	^t DQSQ	–	5	–	2.5	–	1.7	–	1.3	–	1.0	–	0.85	ns	
Data input	^t DQSS	0.75	1.25	0.75	1.25	0.75	1.25	0.75	1.25	0.75	1.25	0.75	1.25	^t CK	
Data In setup	^t DS	5	–	3	–	2	–	1.5	–	1.1	–	0.8	–	ns	
DQS falling edge from CLK rising – hold	^t DSH	0.2	–	0.2	–	0.2	–	0.2	–	0.2	–	0.2	–	^t CK	
DQS falling to CLK rising – set- up	^t DSS	0.2	–	0.2	–	0.2	–	0.2	–	0.2	–	0.2	–	^t CK	
Data valid win- dow	^t DVW	$\supert{DVW} = \supert{QH} - \supert{DQSQ}$												ns	
Half clock peri- od	^t HP	$\supert{HP} = \text{Min}(\supert{CKH}, \supert{CKL})$												ns	
The deviation of a given ^t CK (abs) from a ^t CK (avg)	^t JIT (per)	–0.7	0.7	–0.7	0.7	–0.7	0.7	–0.6	0.6	–0.6	0.6	–0.5	0.5	ns	
DQ-DQS hold, DQS to first DQ to go nonvalid, per access	^t QH	$\supert{QH} = \supert{HP} - \supert{QHS}$												ns	
Data hold skew factor	^t QHS	–	6	–	3	–	2	–	1.5	–	1.2	–	1	ns	
Data output to command, ad- dress, or data input	^t RHW	100	–	100	–	100	–	100	–	100	–	100	–	ns	
Ready to data output	^t RR	20	–	20	–	20	–	20	–	20	–	20	–	ns	
CLK HIGH to R/B# LOW	^t WB	–	100	–	100	–	100	–	100	–	100	–	100	ns	
Command cycle to data output	^t WHR	80	–	80	–	80	–	80	–	80	–	80	–	ns	



32Gb, 64Gb, 128Gb, 256Gb Asynchronous/Synchronous NAND Electrical Specifications – AC Characteristics and Operating Conditions (Synchronous)

Table 42: AC Characteristics: Synchronous Command, Address, and Data (Continued)

Parameter	Symbol	Mode 0		Mode 1		Mode 2		Mode 3		Mode 4		Mode 5		Unit	Notes
		Min	Max	Min	Max	Min	Max	Min	Max	Min	Max	Min	Max		
DQS write pre- amble	^t WPRE	1.5	–	1.5	–	1.5	–	1.5	–	1.5	–	1.5	–	^t CK	
DQS write post- amble	^t WPST	1.5	–	1.5	–	1.5	–	1.5	–	1.5	–	1.5	–	^t CK	
W/R# LOW to data output cy- cle	^t WRCK	20	–	20	–	20	–	20	–	20	–	20	–	ns	
WP# transition to command cy- cle	^t WW	100	–	100	–	100	–	100	–	100	–	100	–	ns	

- Notes:
1. Delay is from start of command to next command, address, or data cycle; start of address to next command, address, or data cycle; and end of data to start of next command, address, or data cycle.
 2. This value is specified in the parameter page.
 3. ^tCK(avg) is the average clock period over any consecutive 200-cycle window.
 4. ^tCKH(abs) and ^tCKL(abs) include static offset and duty cycle jitter.
 5. ^tDQSHZ begins when W/R# is latched HIGH by CLK. This parameter is not referenced to a specific voltage level; it specifies when the device outputs are no longer driving.



Electrical Specifications – Array Characteristics

Table 43: Array Characteristics

Parameter	Symbol	Typ	Max	Unit	Notes
Number of partial page programs	NOP	–	4	Cycles	1
ERASE BLOCK operation time	^t BERS	1.5	7	ms	
Change column setup time to data in/out or next command	^t CCS	–	200	ns	
Cache busy	^t CBSY	12	560	μs	
Dummy busy time	^t DBSY	0.5	1	μs	
Cache read busy time	^t RCBSY	9	35	μs	
Busy time for SET FEATURES and GET FEATURES operations	^t FEAT	–	1	μs	
Busy time for interface change	^t ITC	–	1	μs	2
LAST PAGE PROGRAM operation time	^t LPROG	–	–	μs	3
Busy time for OTP DATA PROGRAM operation if OTP is protected	^t OBSY	–	40	μs	
Power-on reset time	^t POR	–	1	ms	
PROGRAM PAGE operation time	^t PROG	350	560	μs	6
READ PAGE operation time	^t R	–	35	μs	5
Device reset time (Read/Program/Erase)	^t RST	–	5/10/500	μs	4

- Notes:
1. The pages in the OTP Block have an NOP of 4.
 2. ^tITC (MAX) is the busy time when the interface changes from asynchronous to synchronous using the SET FEATURES (EFh) command or synchronous to asynchronous using the RESET (FFh) command. During the ^tITC time, any command, including READ STATUS (70h) and READ STATUS ENHANCED (78h), is prohibited.
 3. ^tLPROG = ^tPROG (last page) + ^tPROG (last page - 1) - command load time (last page) - address load time (last page) - data load time (last page).
 4. If RESET command is issued when the target is READY, the target goes busy for a maximum of 5μs.
 5. ^tR for invalid factory blocks could be up to 38μs.
 6. ^tPROG for OTP operations could be up to 600μs.



Asynchronous Interface Timing Diagrams

Figure 78: RESET Operation

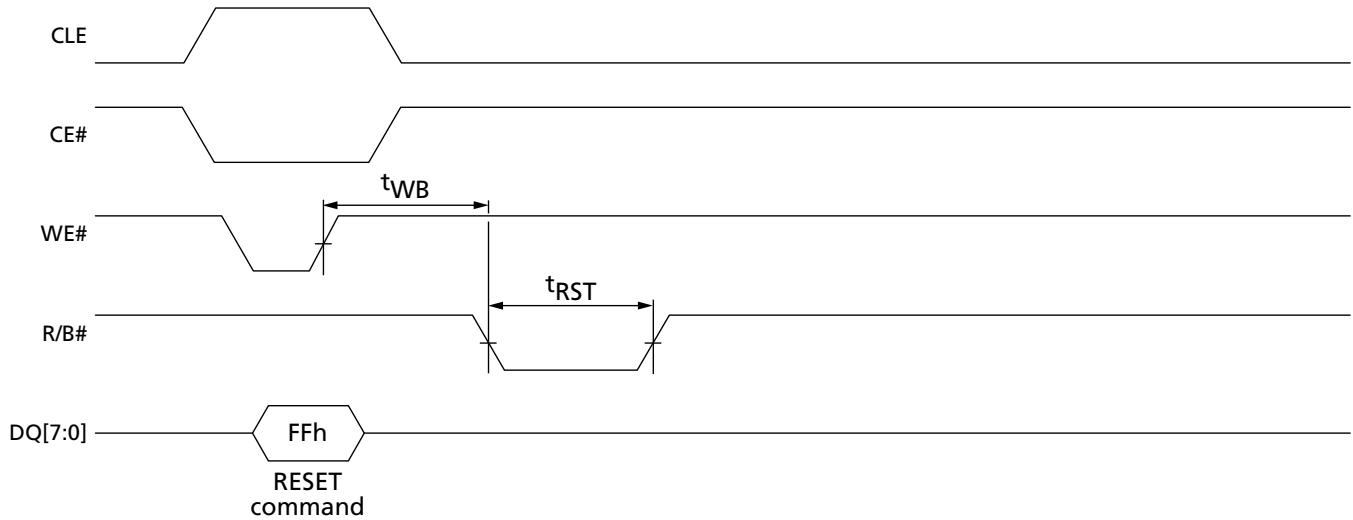
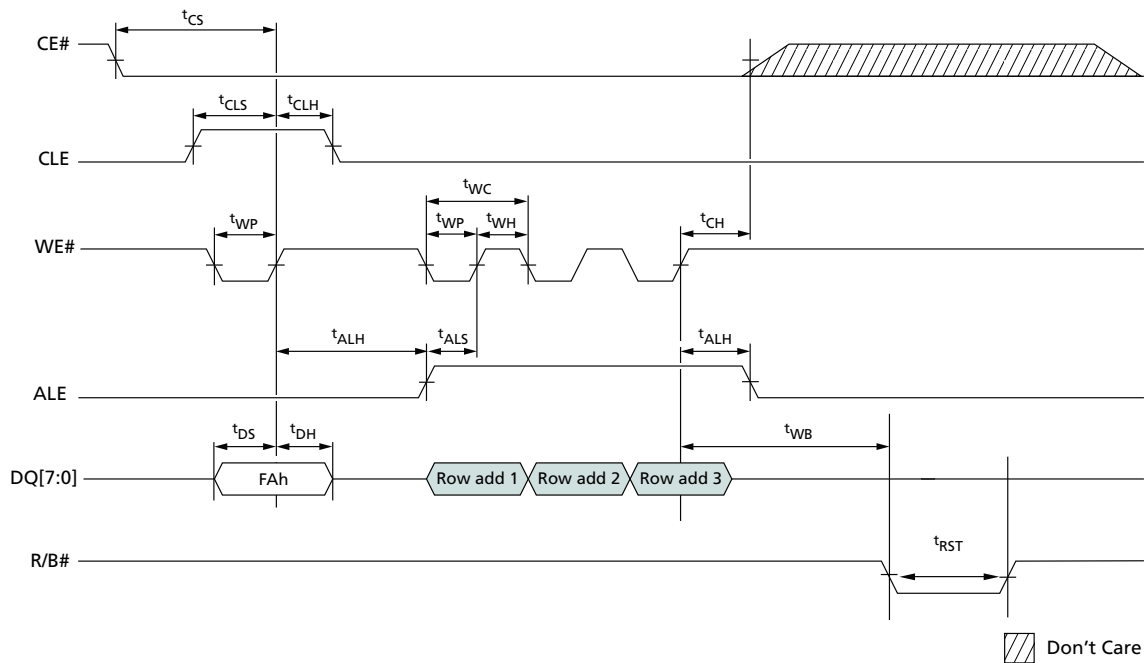


Figure 79: RESET LUN Operation





32Gb, 64Gb, 128Gb, 256Gb Asynchronous/Synchronous NAND
Asynchronous Interface Timing Diagrams

Figure 80: READ STATUS Cycle

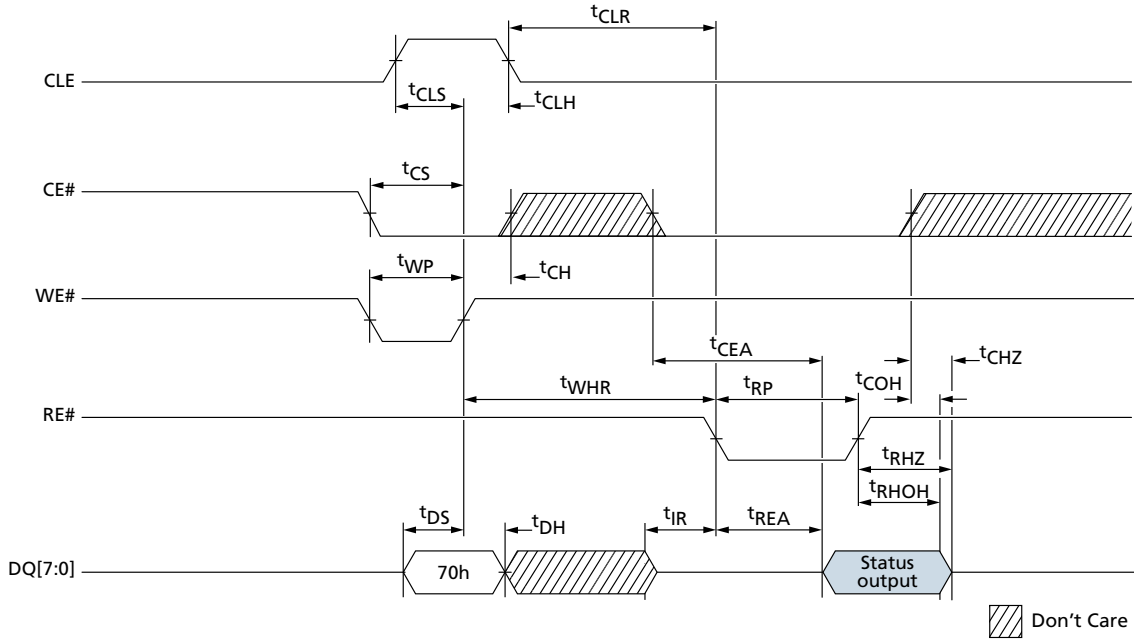
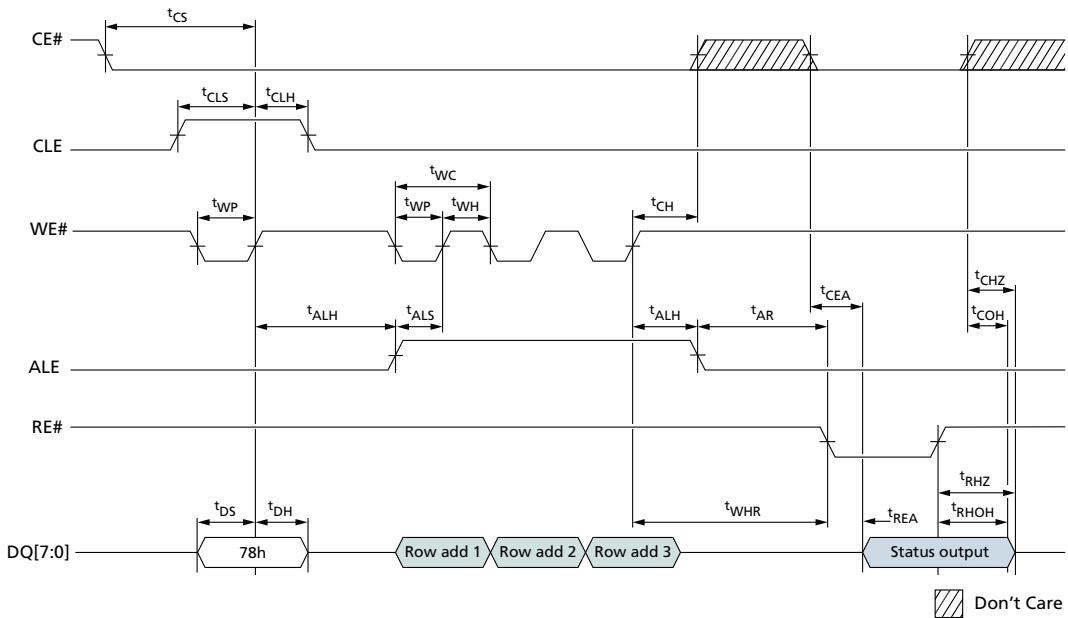


Figure 81: READ STATUS ENHANCED Cycle





32Gb, 64Gb, 128Gb, 256Gb Asynchronous/Synchronous NAND
Asynchronous Interface Timing Diagrams

Figure 82: READ PARAMETER PAGE

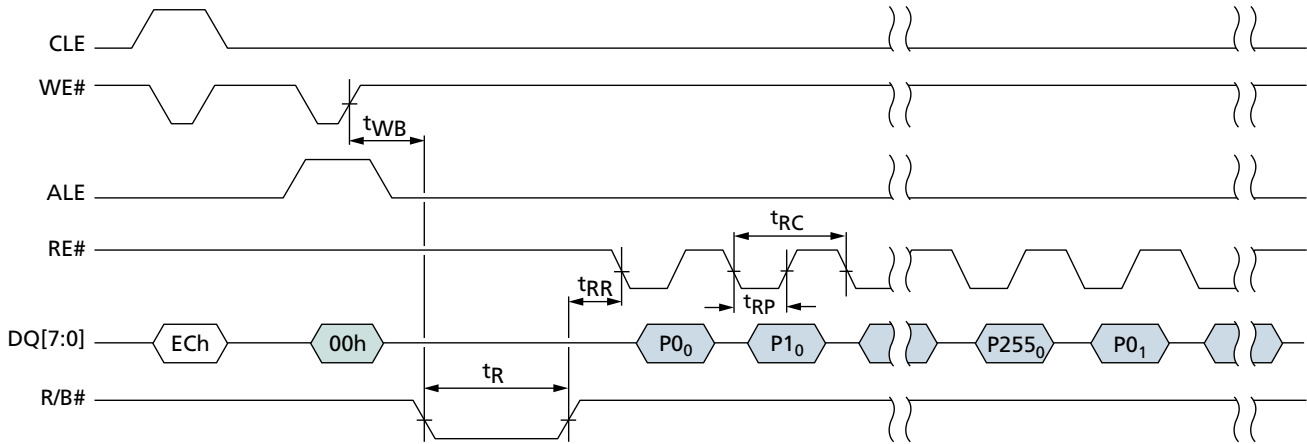
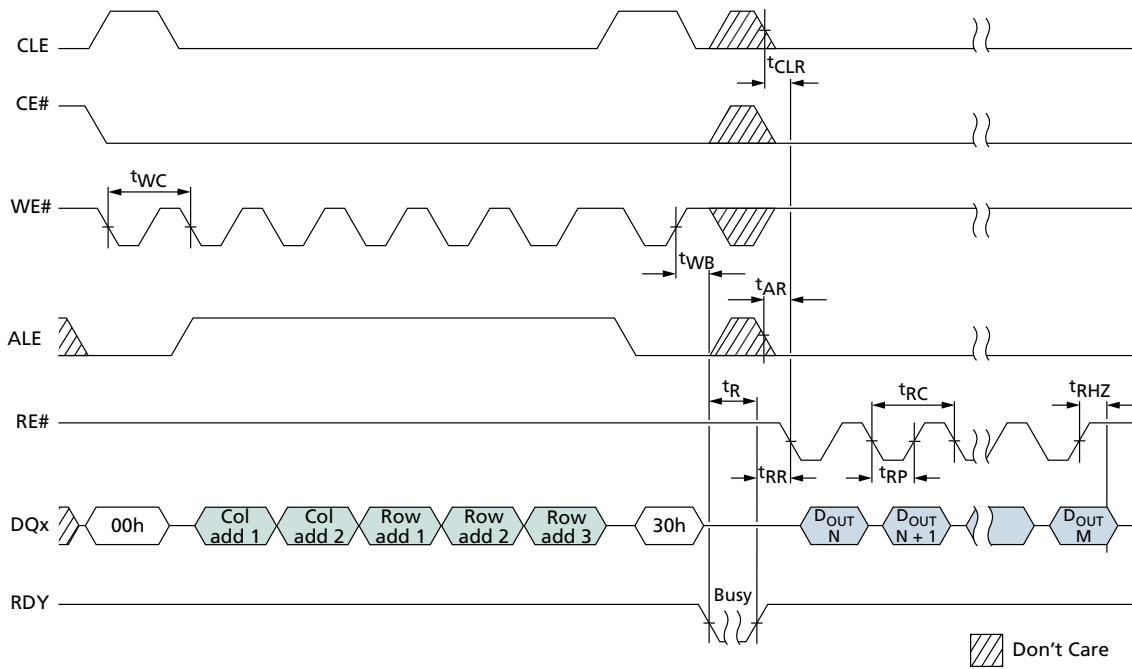


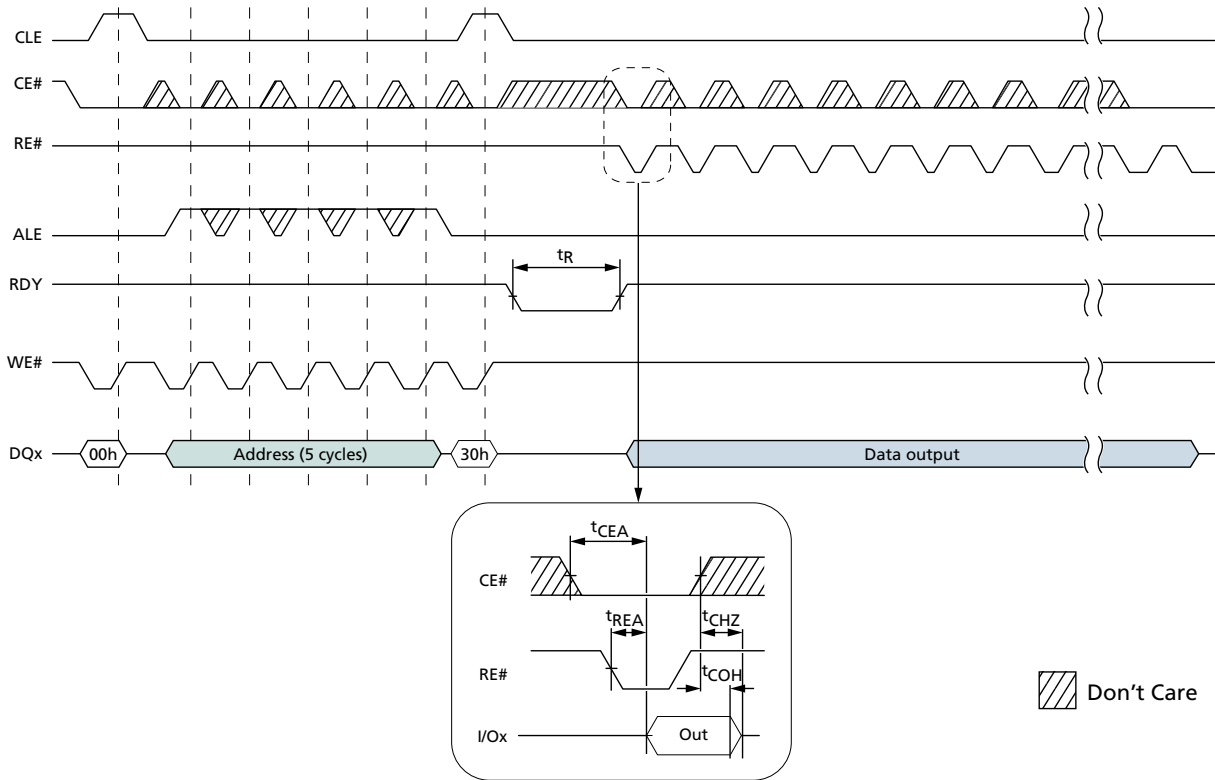
Figure 83: READ PAGE





32Gb, 64Gb, 128Gb, 256Gb Asynchronous/Synchronous NAND
Asynchronous Interface Timing Diagrams

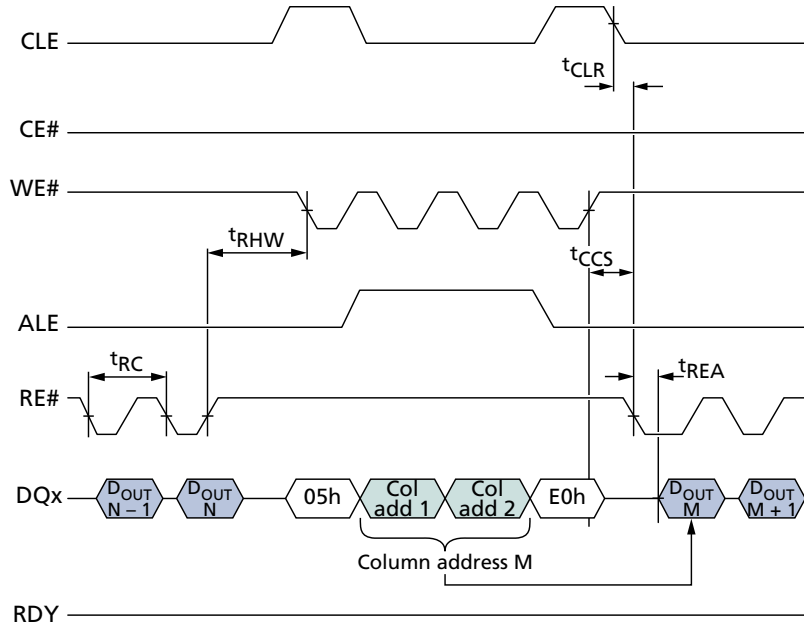
Figure 84: READ PAGE Operation with CE# "Don't Care"





32Gb, 64Gb, 128Gb, 256Gb Asynchronous/Synchronous NAND
Asynchronous Interface Timing Diagrams

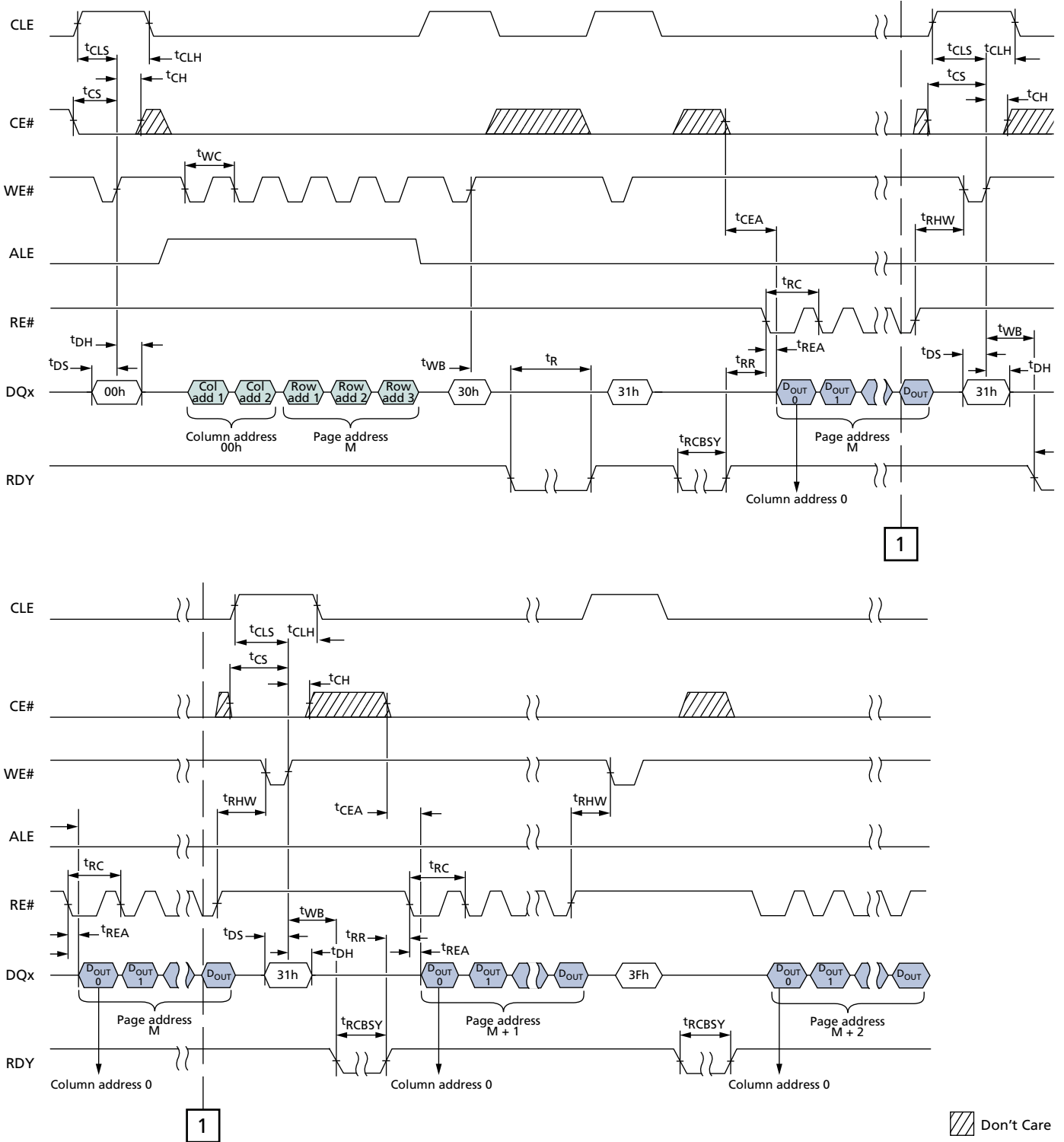
Figure 85: CHANGE READ COLUMN





32Gb, 64Gb, 128Gb, 256Gb Asynchronous/Synchronous NAND
Asynchronous Interface Timing Diagrams

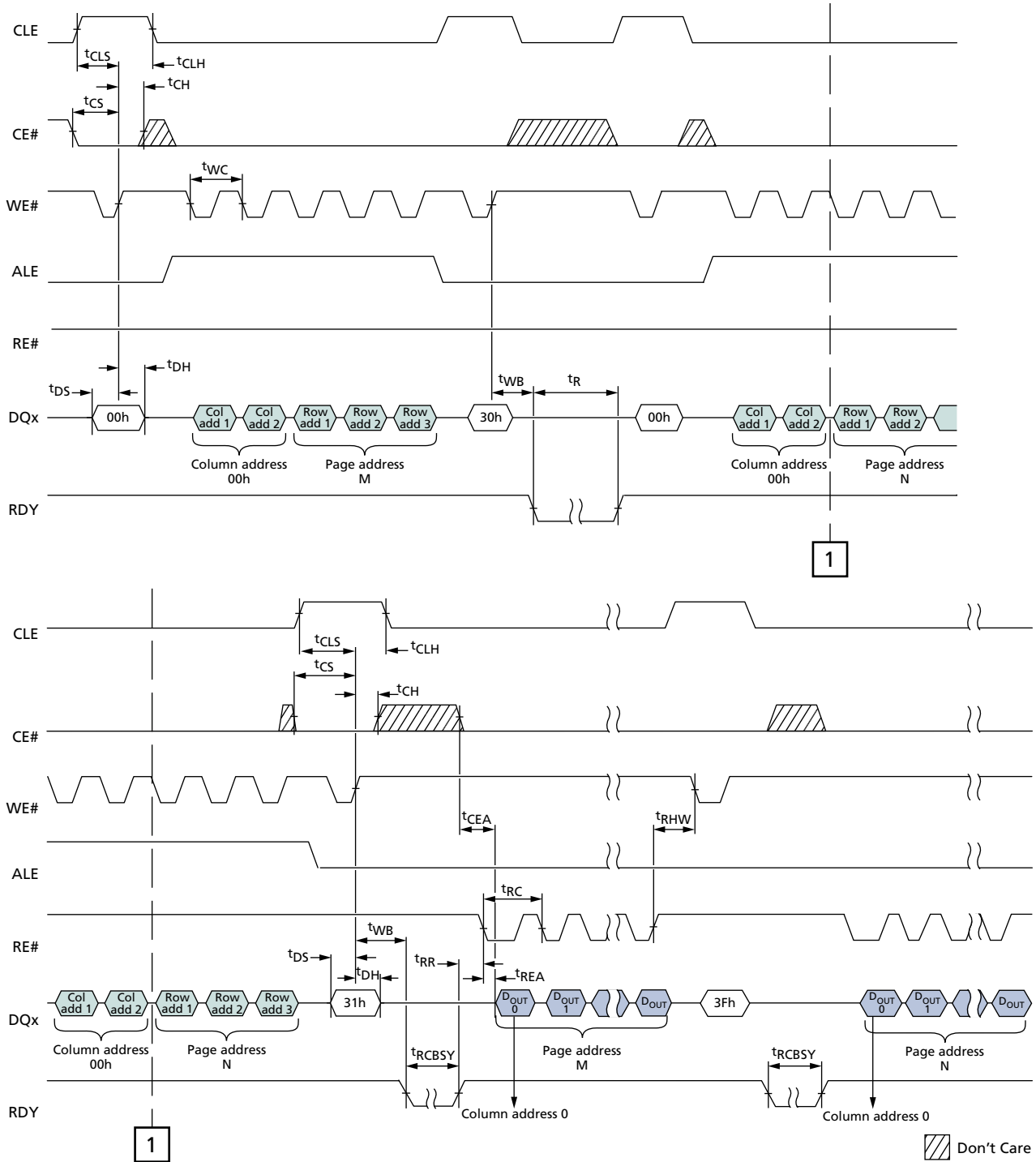
Figure 86: READ PAGE CACHE SEQUENTIAL





32Gb, 64Gb, 128Gb, 256Gb Asynchronous/Synchronous NAND
Asynchronous Interface Timing Diagrams

Figure 87: READ PAGE CACHE RANDOM





32Gb, 64Gb, 128Gb, 256Gb Asynchronous/Synchronous NAND Asynchronous Interface Timing Diagrams

Figure 88: READ ID Operation

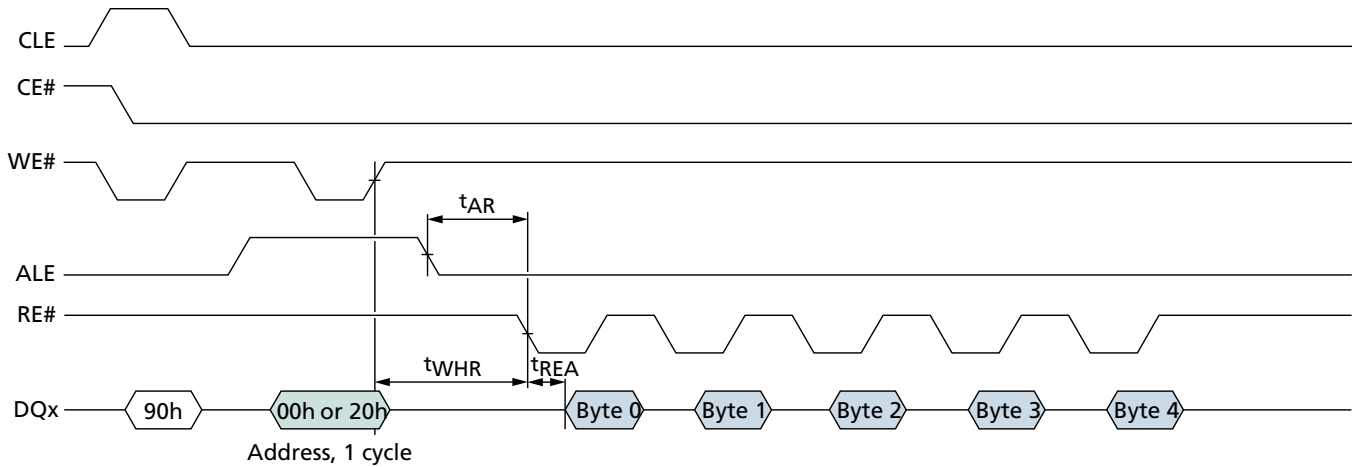
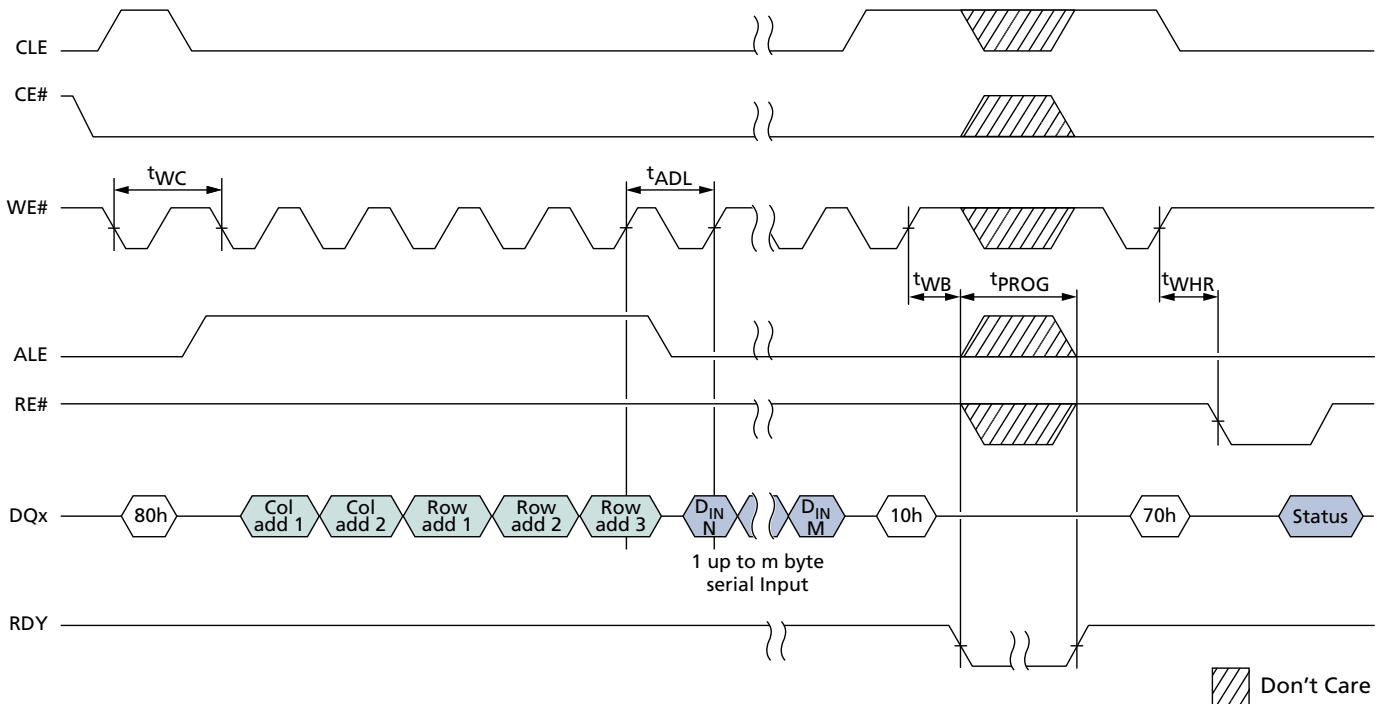


Figure 89: PROGRAM PAGE Operation





32Gb, 64Gb, 128Gb, 256Gb Asynchronous/Synchronous NAND
Asynchronous Interface Timing Diagrams

Figure 90: PROGRAM PAGE Operation with CE# "Don't Care"

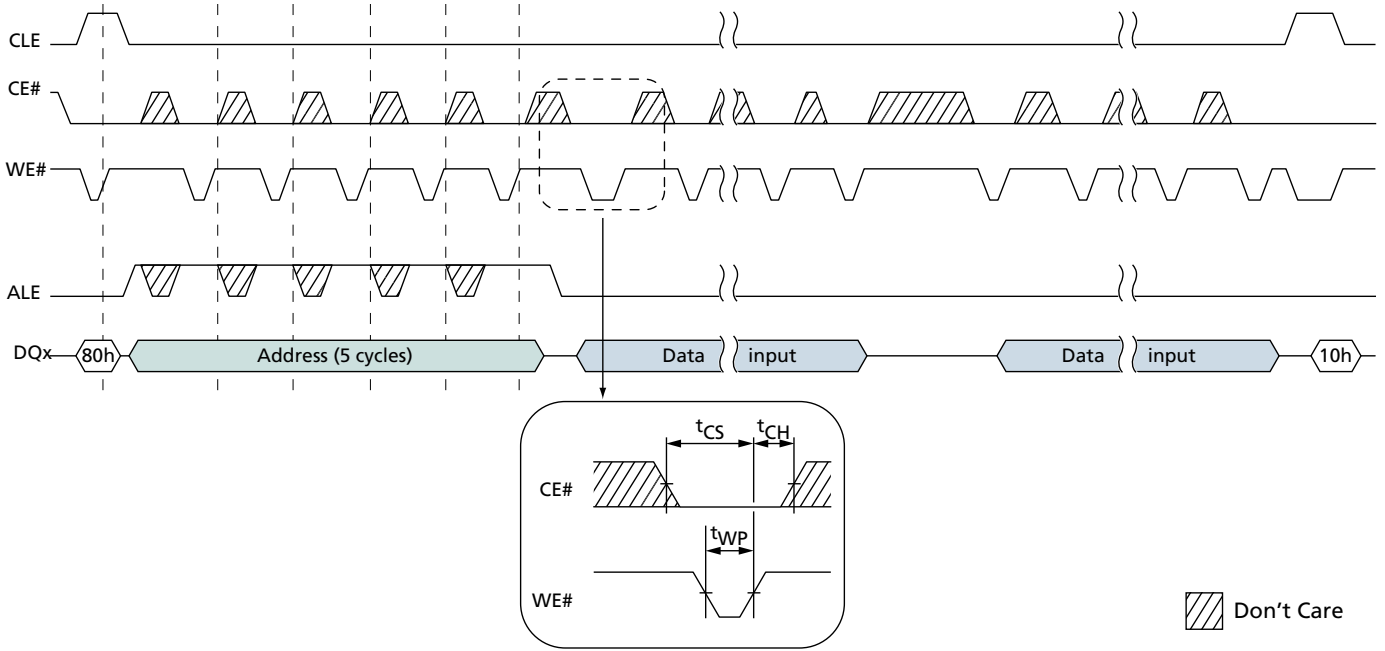
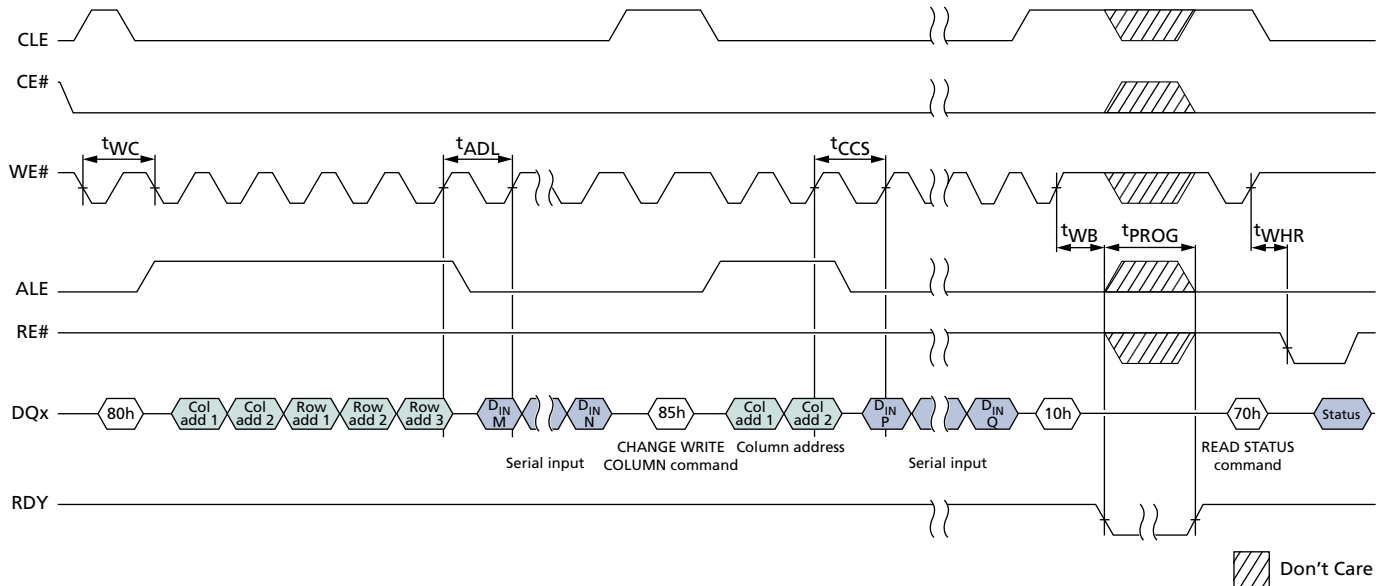


Figure 91: PROGRAM PAGE Operation with CHANGE WRITE COLUMN





32Gb, 64Gb, 128Gb, 256Gb Asynchronous/Synchronous NAND
Asynchronous Interface Timing Diagrams

Figure 92: PROGRAM PAGE CACHE

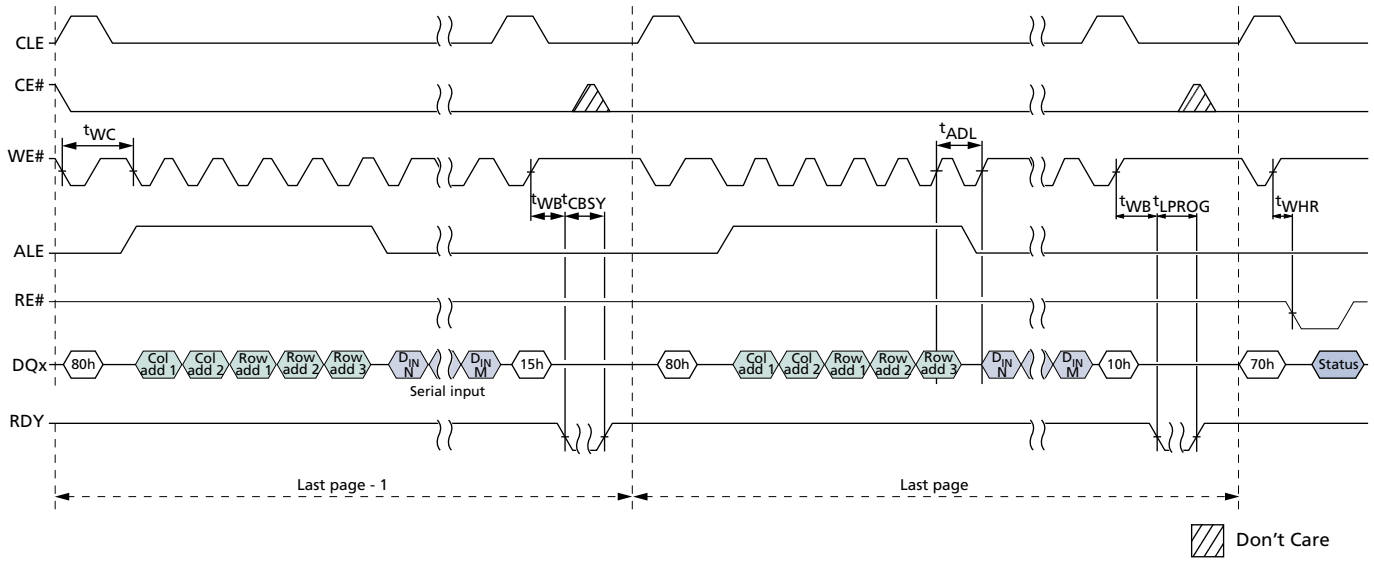
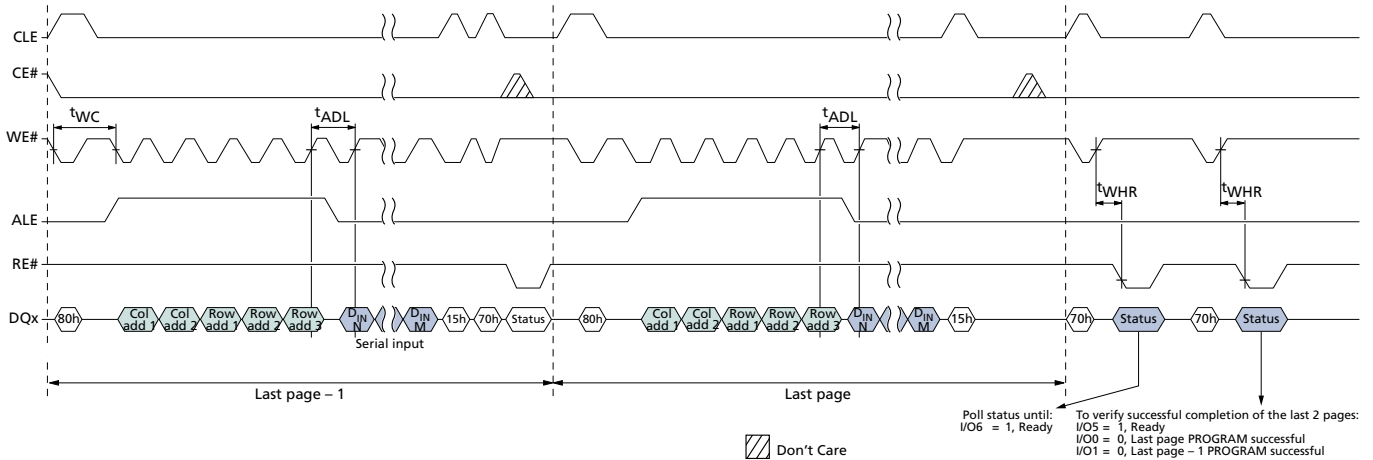


Figure 93: PROGRAM PAGE CACHE Ending on 15h





**32Gb, 64Gb, 128Gb, 256Gb Asynchronous/Synchronous NAND
Asynchronous Interface Timing Diagrams**

Figure 94: COPYBACK

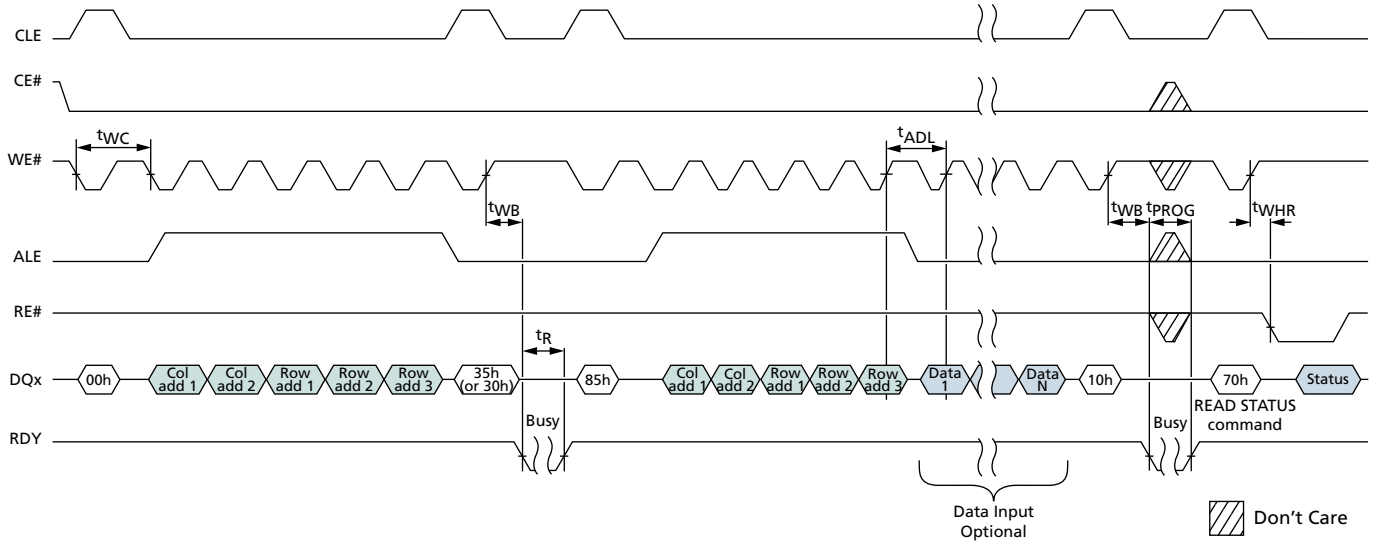
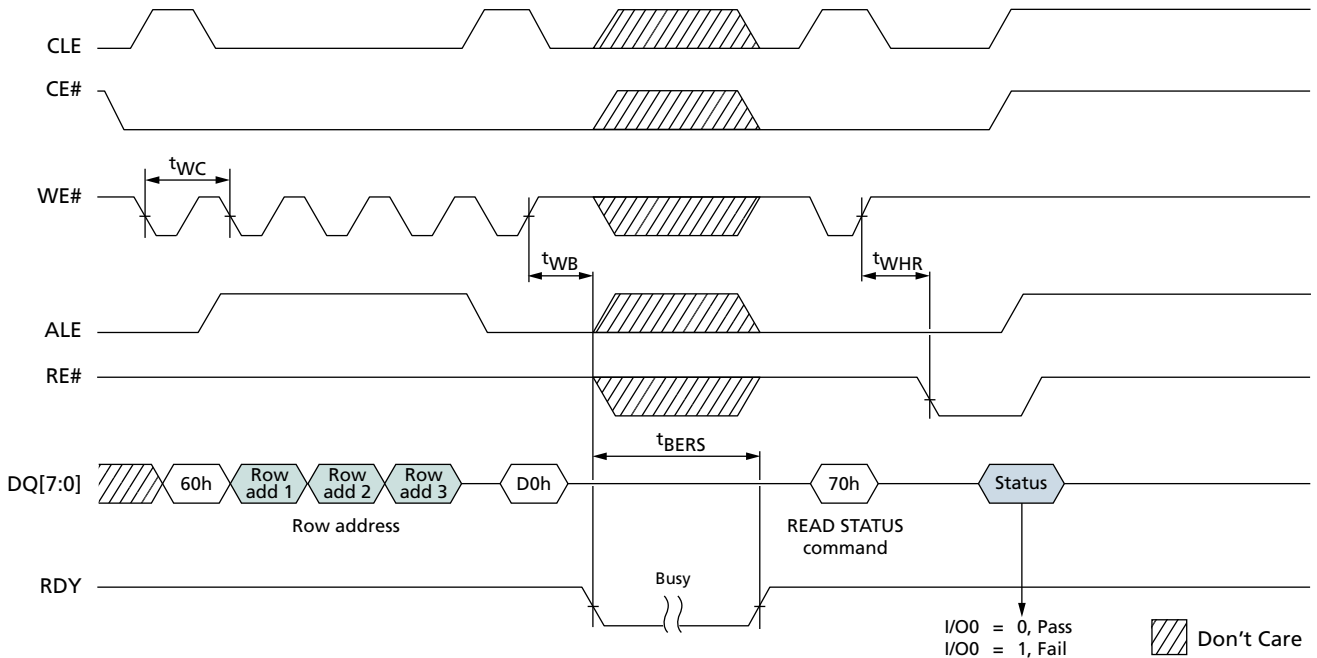


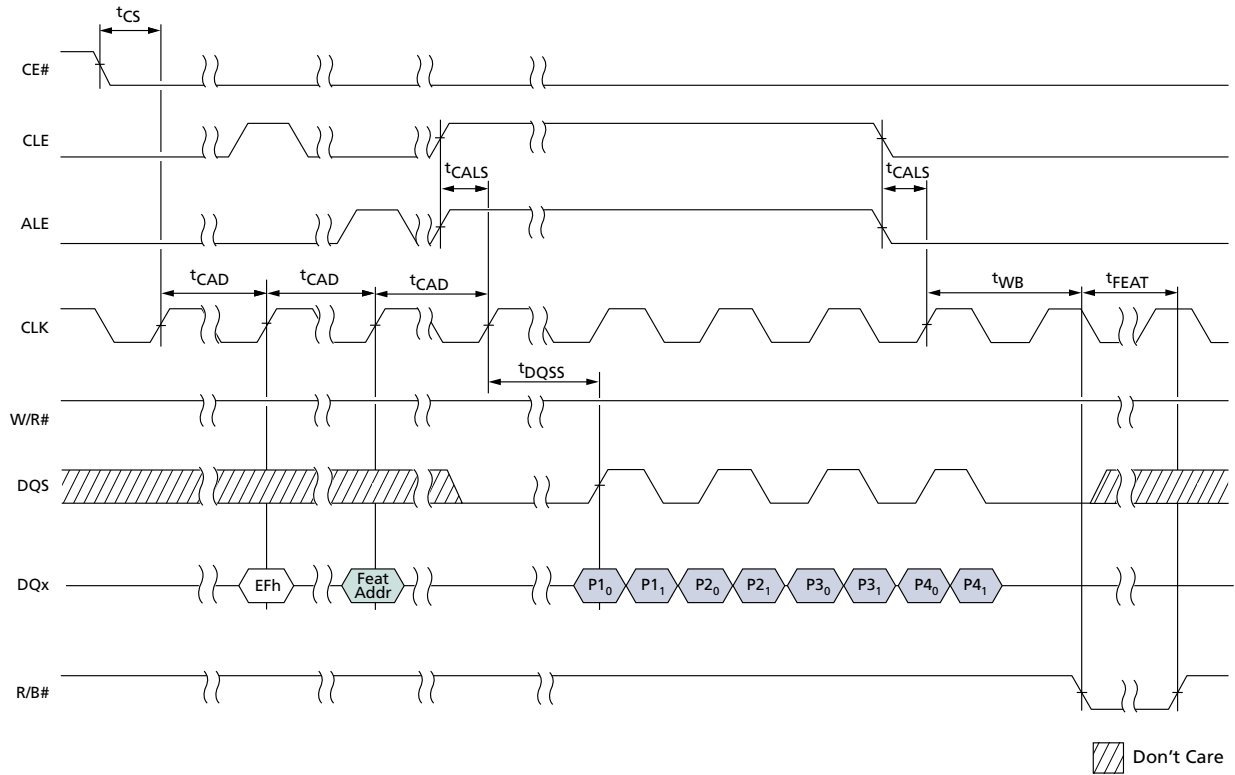
Figure 95: ERASE BLOCK Operation





Synchronous Interface Timing Diagrams

Figure 96: SET FEATURES Operation

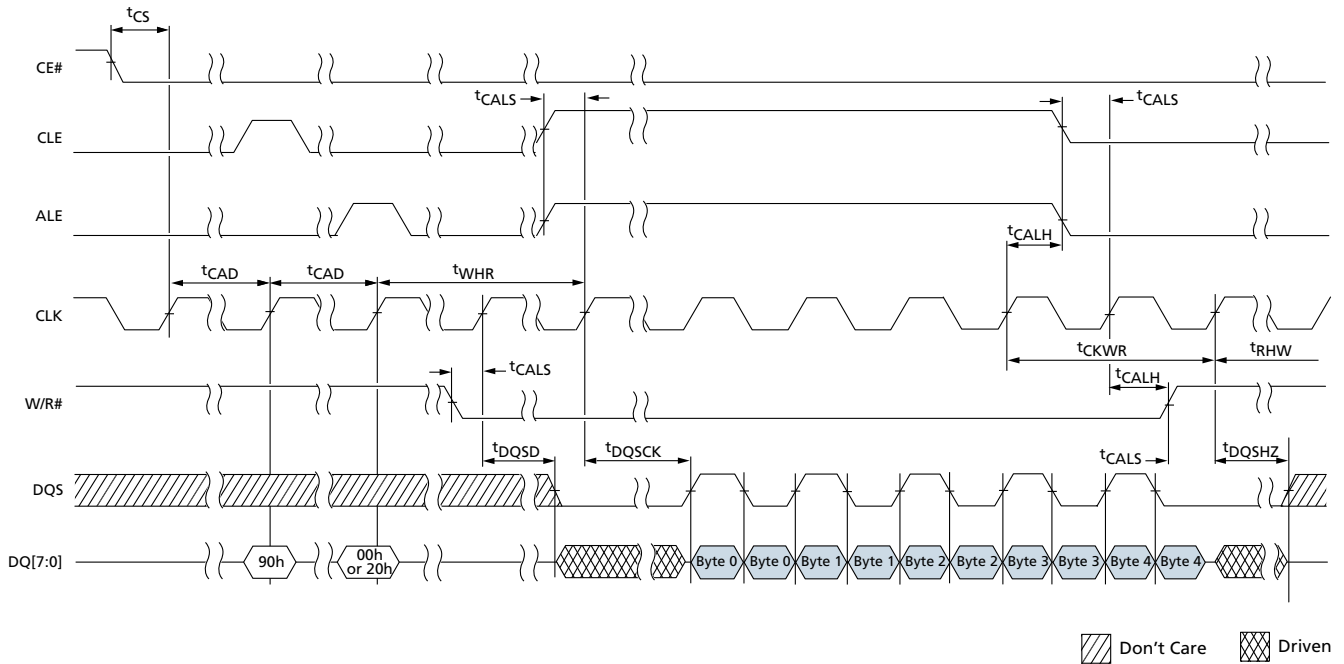


- Notes:
1. When CE# remains LOW, t_{CAD} begins at the rising edge of the clock from which the last data byte is input for the subsequent command or data input cycle(s).
 2. t_{DSH} (MIN) generally occurs during t_{DQSS} (MIN).
 3. t_{DSS} (MIN) generally occurs during t_{DQSS} (MAX).
 4. The cycle that t_{CAD} is measured from may be an idle cycle (as shown), another command cycle, an address cycle, or a data cycle. The idle cycle is shown in this diagram for simplicity.



32Gb, 64Gb, 128Gb, 256Gb Asynchronous/Synchronous NAND Synchronous Interface Timing Diagrams

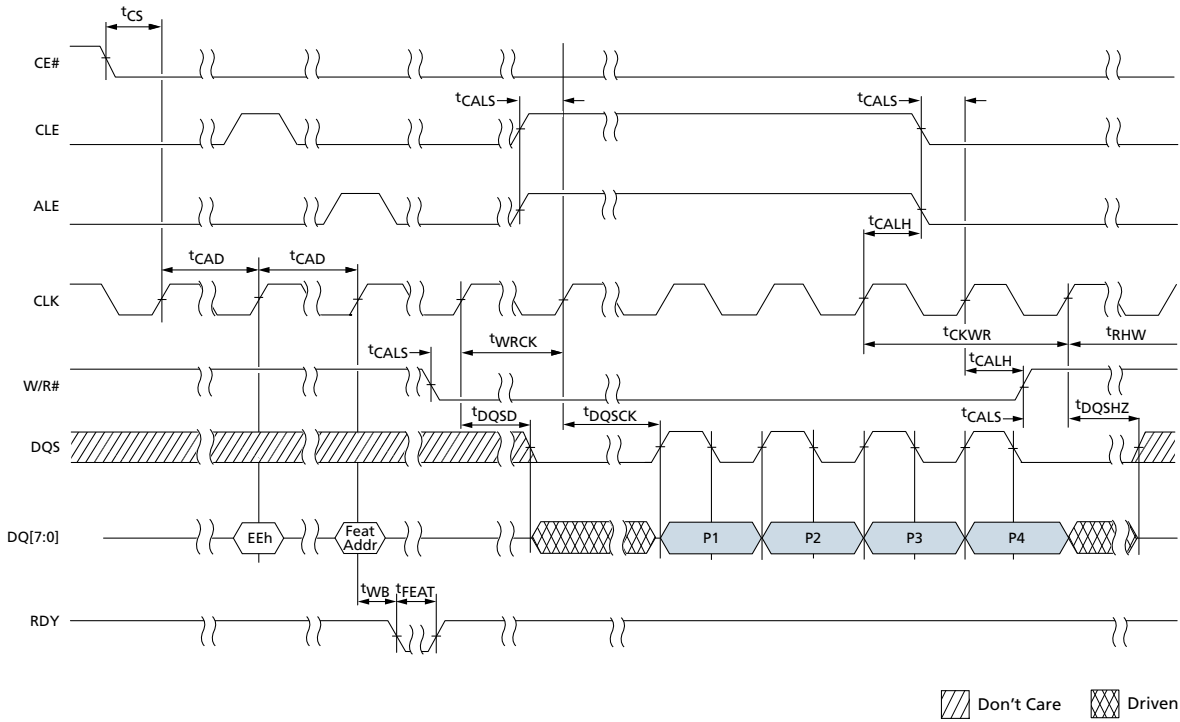
Figure 97: READ ID Operation





32Gb, 64Gb, 128Gb, 256Gb Asynchronous/Synchronous NAND Synchronous Interface Timing Diagrams

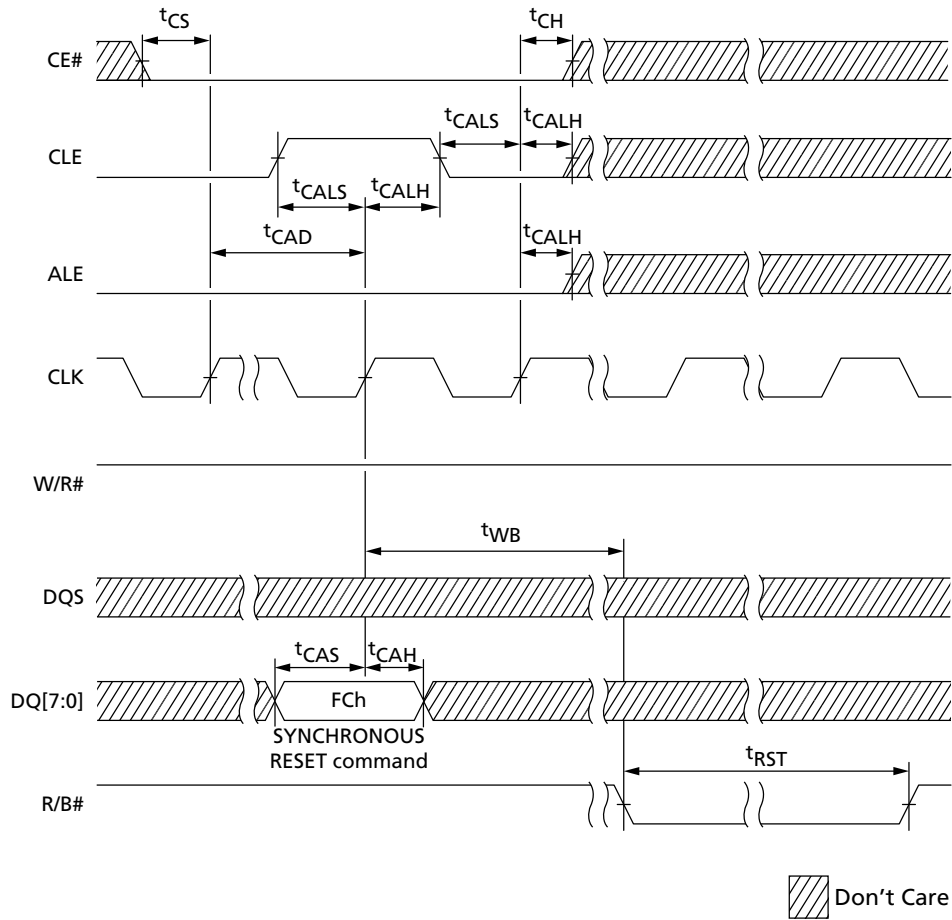
Figure 98: GET FEATURES Operation





32Gb, 64Gb, 128Gb, 256Gb Asynchronous/Synchronous NAND Synchronous Interface Timing Diagrams

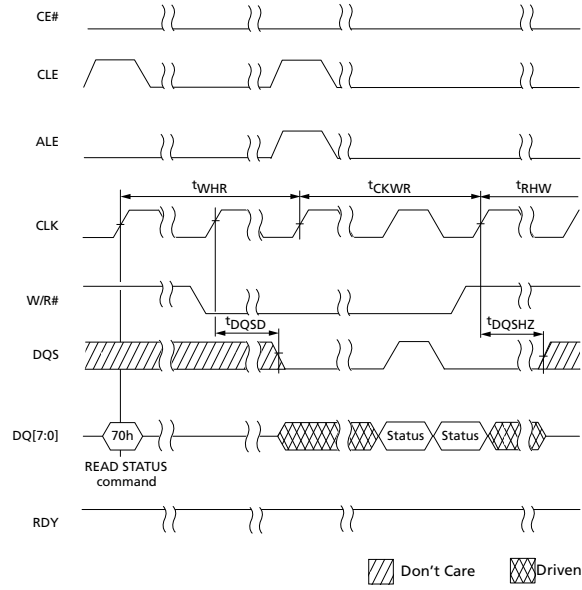
Figure 99: RESET (FCh) Operation





32Gb, 64Gb, 128Gb, 256Gb Asynchronous/Synchronous NAND Synchronous Interface Timing Diagrams

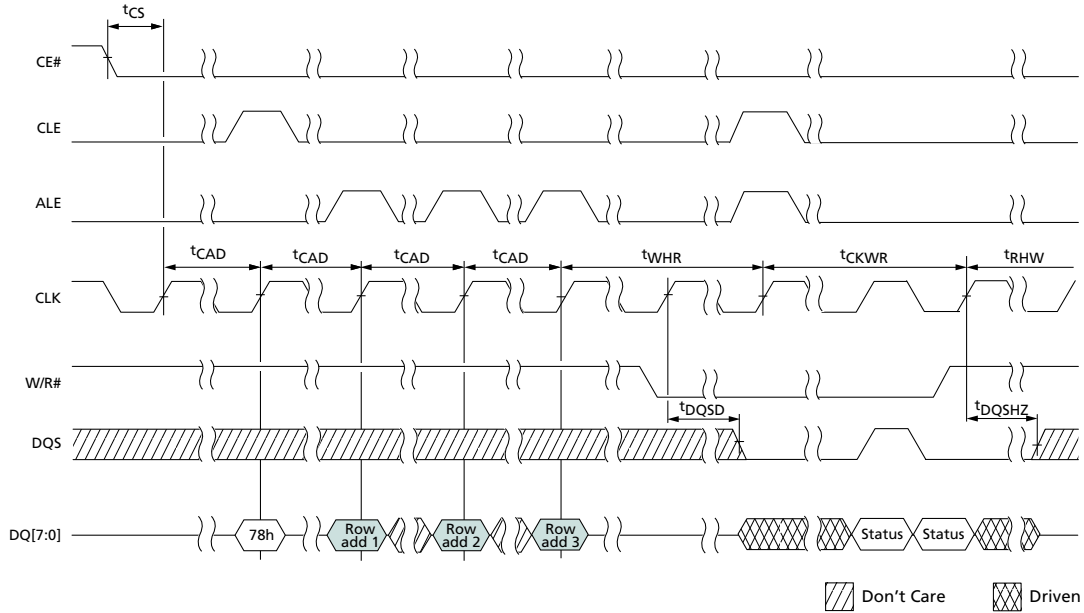
Figure 100: READ STATUS Cycle





32Gb, 64Gb, 128Gb, 256Gb Asynchronous/Synchronous NAND Synchronous Interface Timing Diagrams

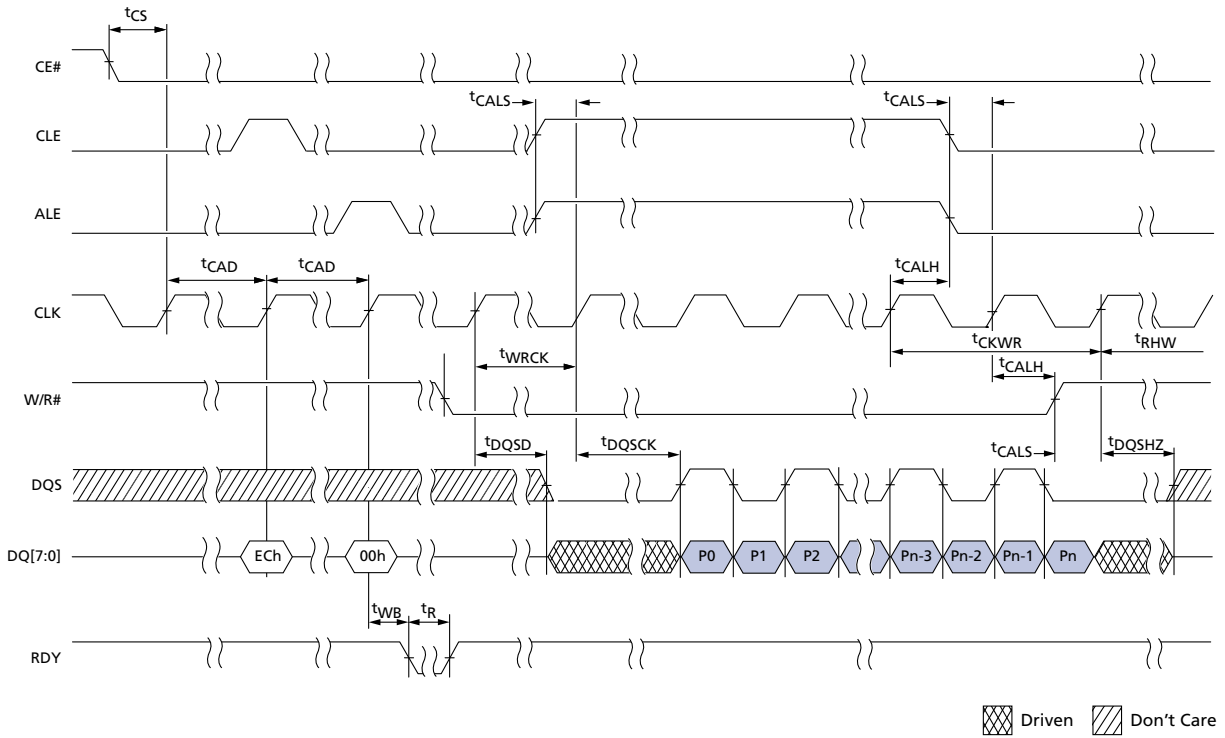
Figure 101: READ STATUS ENHANCED Operation





32Gb, 64Gb, 128Gb, 256Gb Asynchronous/Synchronous NAND Synchronous Interface Timing Diagrams

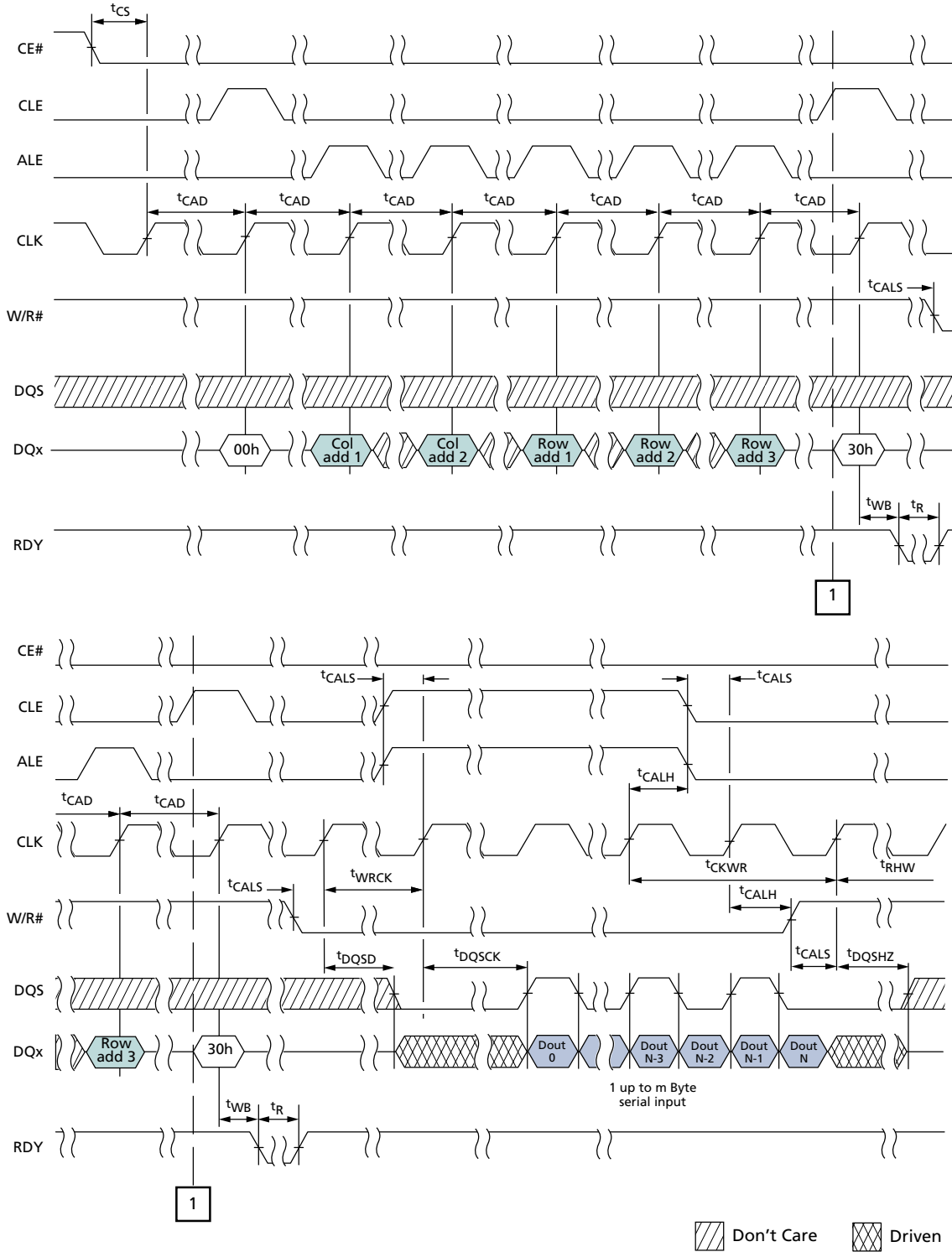
Figure 102: READ PARAMETER PAGE Operation





32Gb, 64Gb, 128Gb, 256Gb Asynchronous/Synchronous NAND Synchronous Interface Timing Diagrams

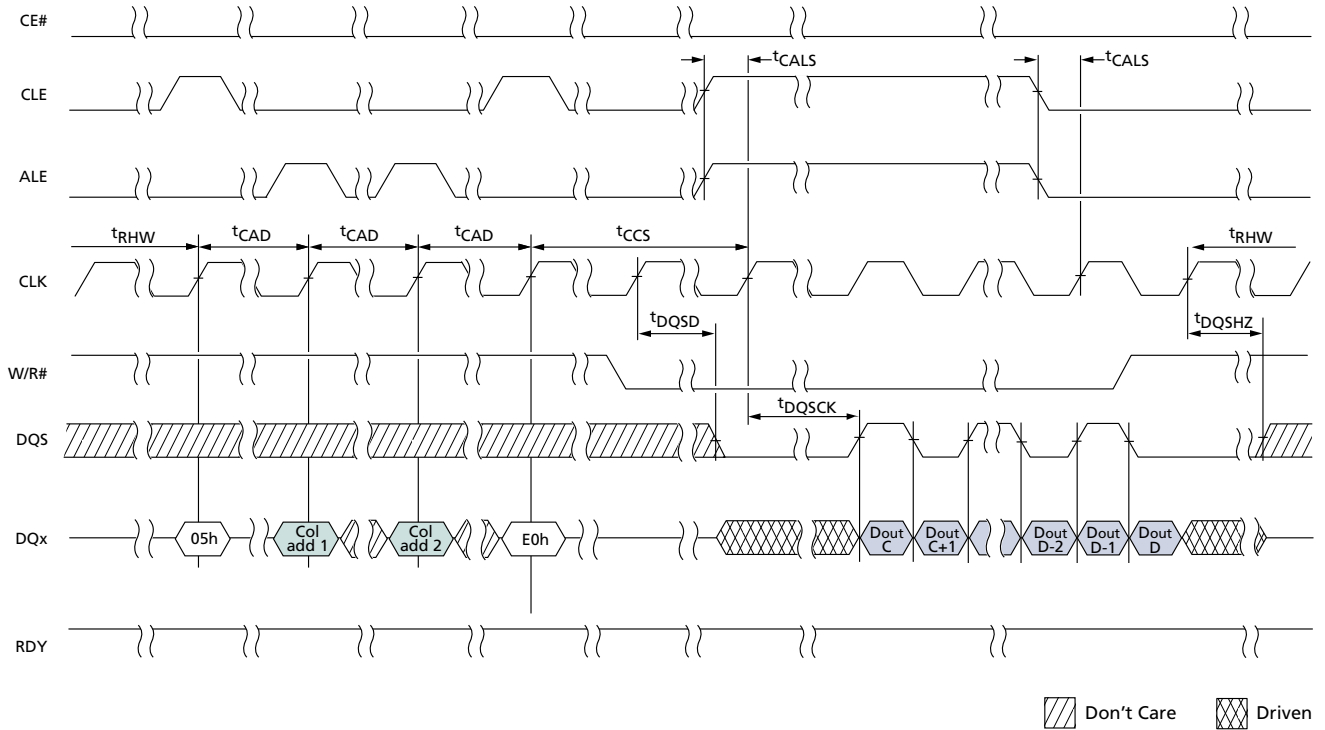
Figure 103: READ PAGE Operation





32Gb, 64Gb, 128Gb, 256Gb Asynchronous/Synchronous NAND
Synchronous Interface Timing Diagrams

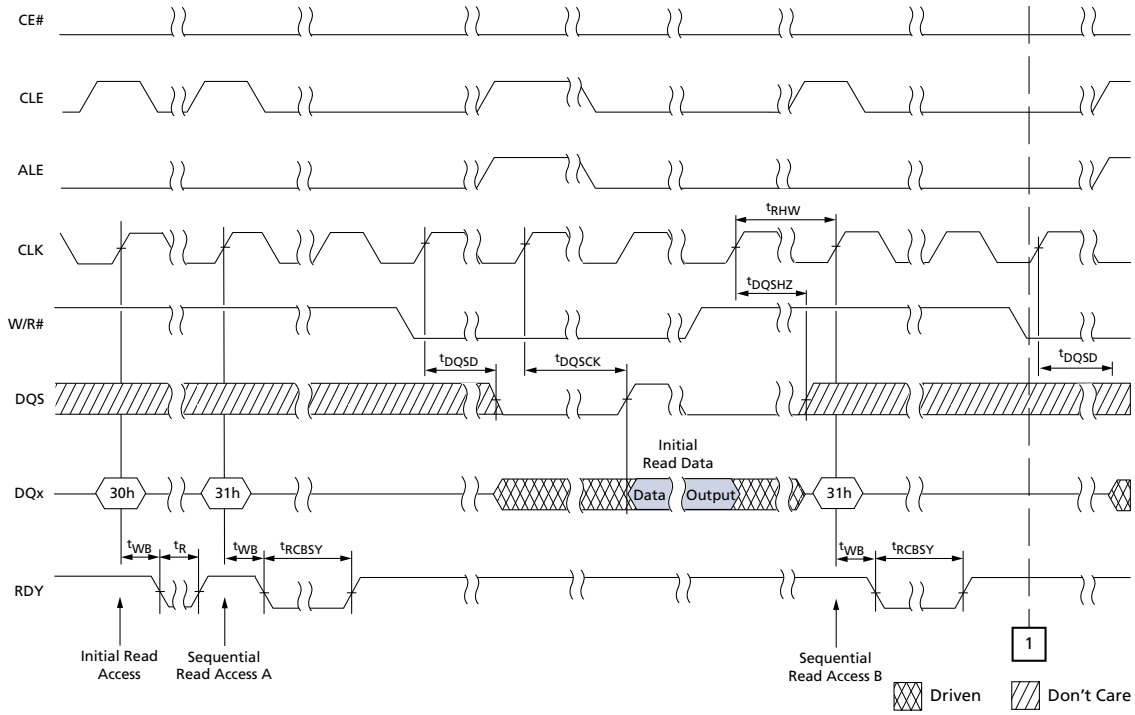
Figure 104: CHANGE READ COLUMN





32Gb, 64Gb, 128Gb, 256Gb Asynchronous/Synchronous NAND Synchronous Interface Timing Diagrams

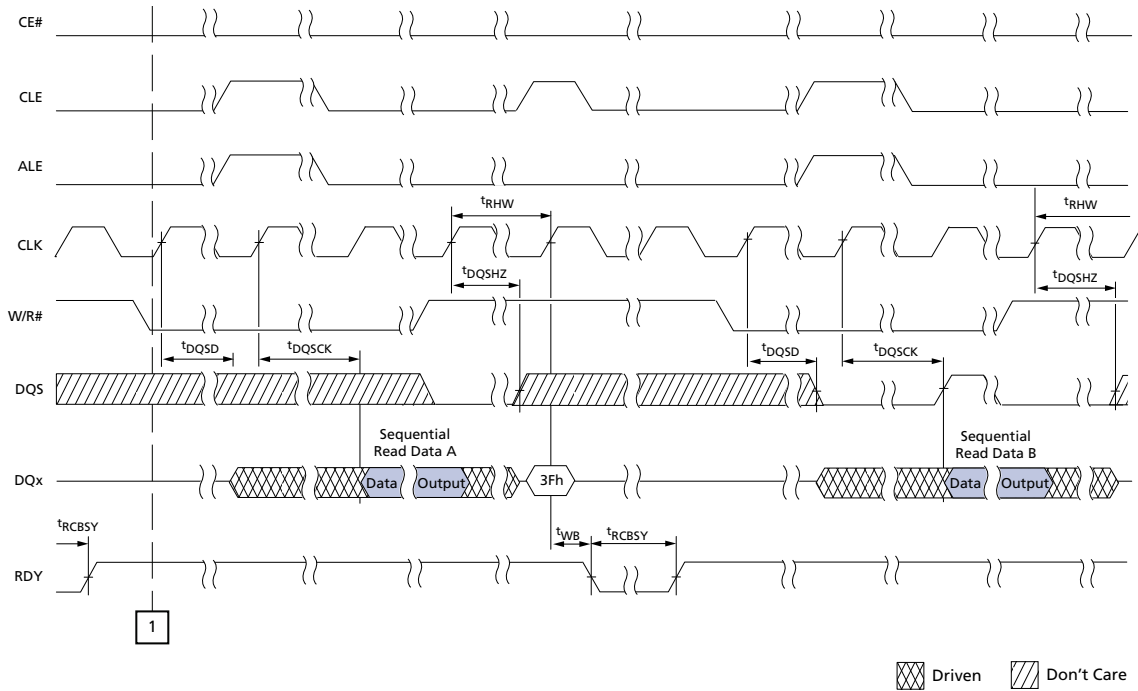
Figure 105: READ PAGE CACHE SEQUENTIAL (1 of 2)





32Gb, 64Gb, 128Gb, 256Gb Asynchronous/Synchronous NAND Synchronous Interface Timing Diagrams

Figure 106: READ PAGE CACHE SEQUENTIAL (2 of 2)





32Gb, 64Gb, 128Gb, 256Gb Asynchronous/Synchronous NAND Synchronous Interface Timing Diagrams

Figure 107: READ PAGE CACHE RANDOM (1 of 2)

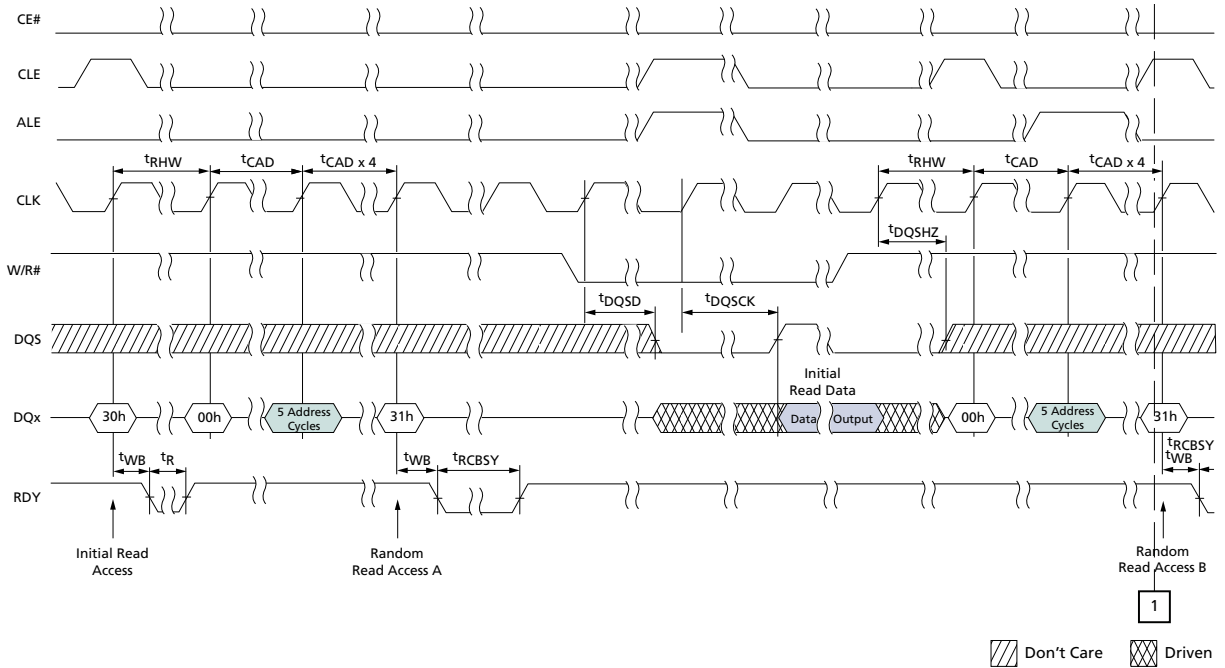
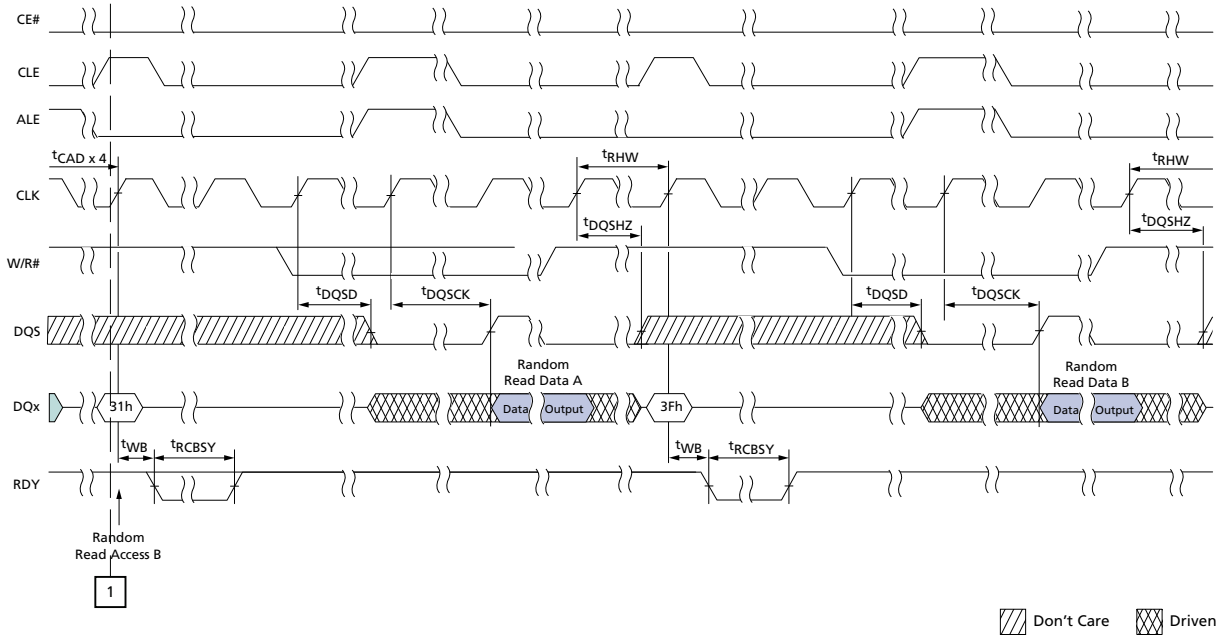


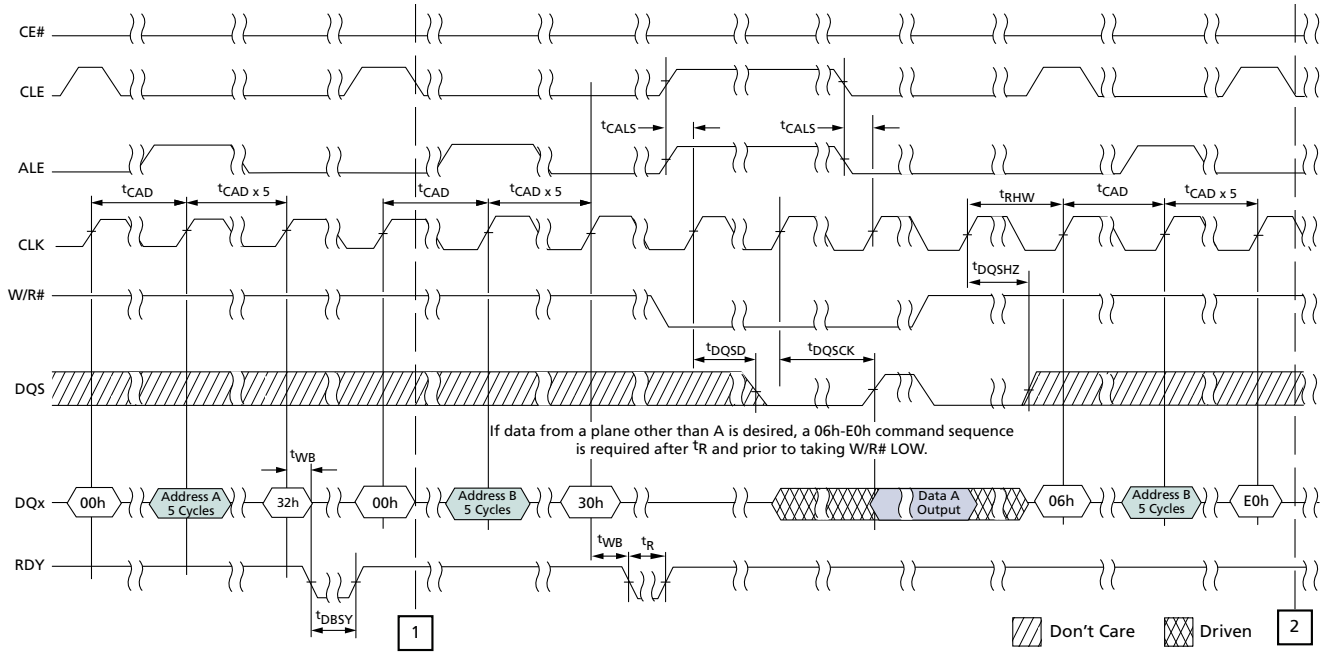
Figure 108: READ PAGE CACHE RANDOM (2 of 2)





32Gb, 64Gb, 128Gb, 256Gb Asynchronous/Synchronous NAND Synchronous Interface Timing Diagrams

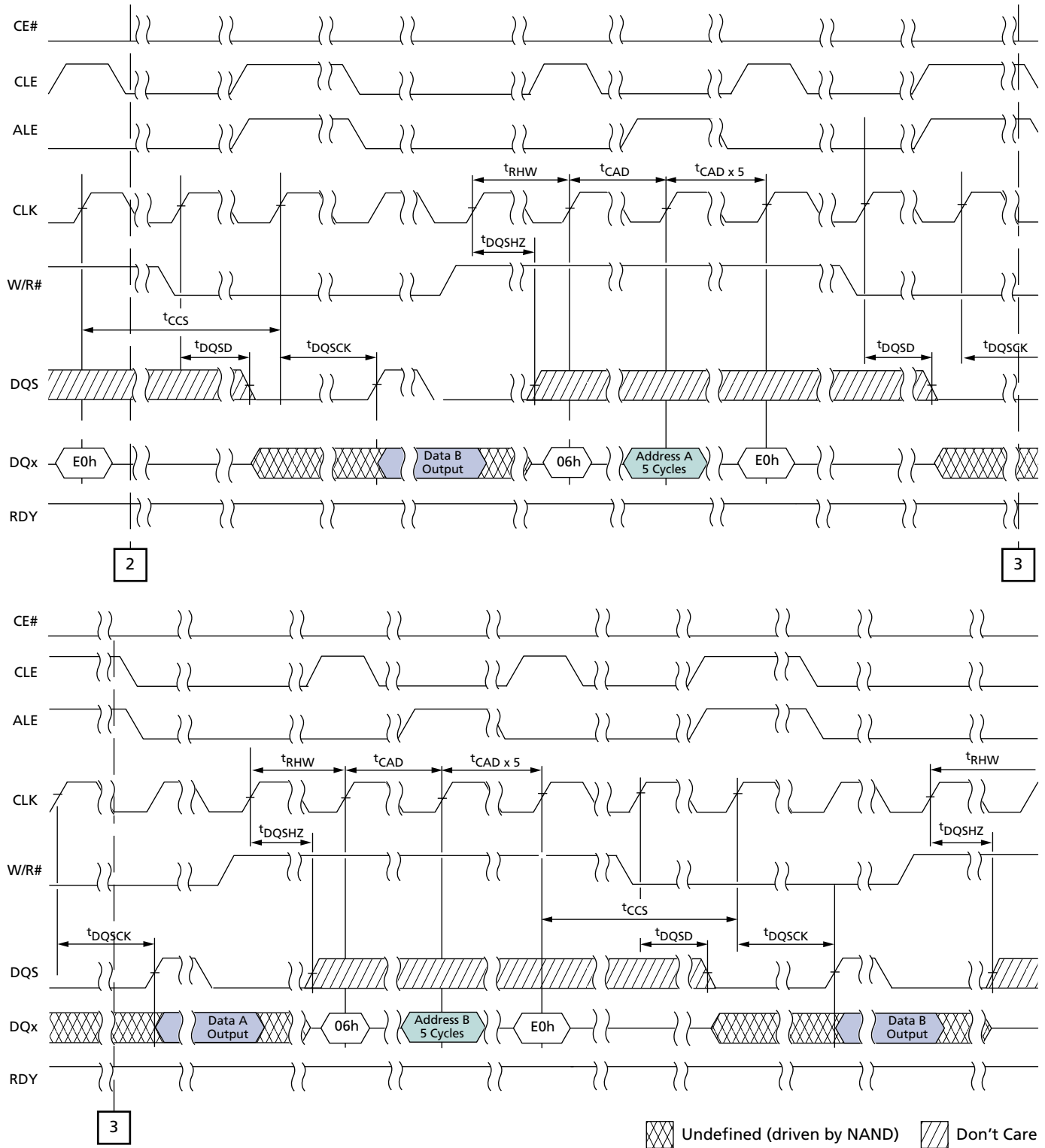
Figure 109: Multi-Plane Read Page (1 of 2)





32Gb, 64Gb, 128Gb, 256Gb Asynchronous/Synchronous NAND Synchronous Interface Timing Diagrams

Figure 110: Multi-Plane Read Page (2 of 2)





32Gb, 64Gb, 128Gb, 256Gb Asynchronous/Synchronous NAND Synchronous Interface Timing Diagrams

Figure 111: PROGRAM PAGE Operation (1 of 2)

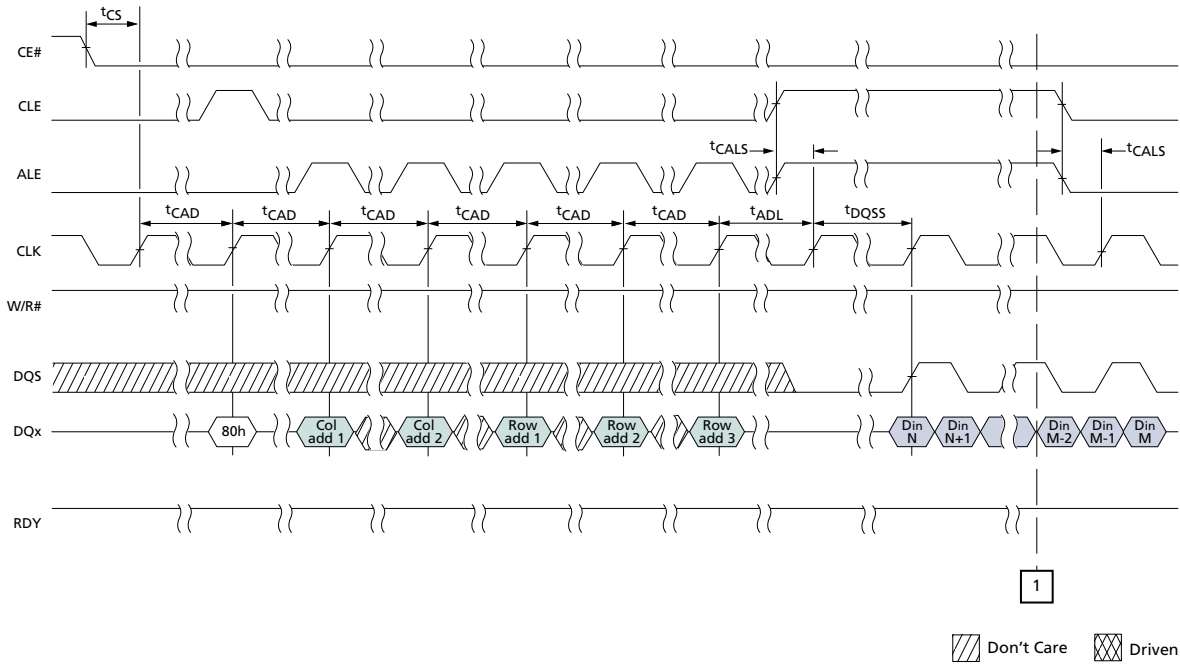
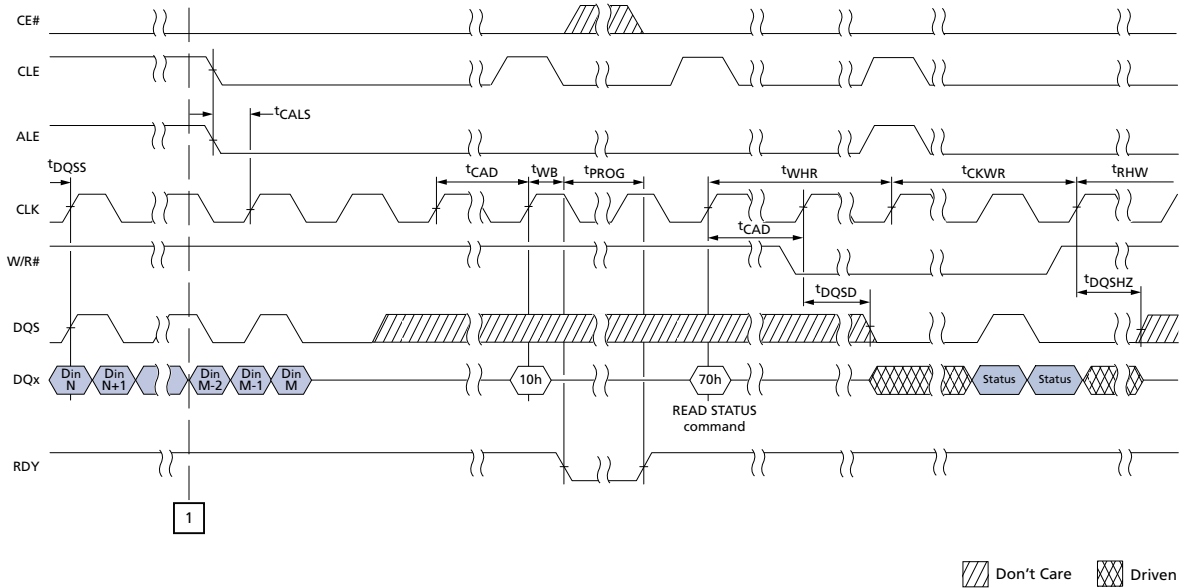


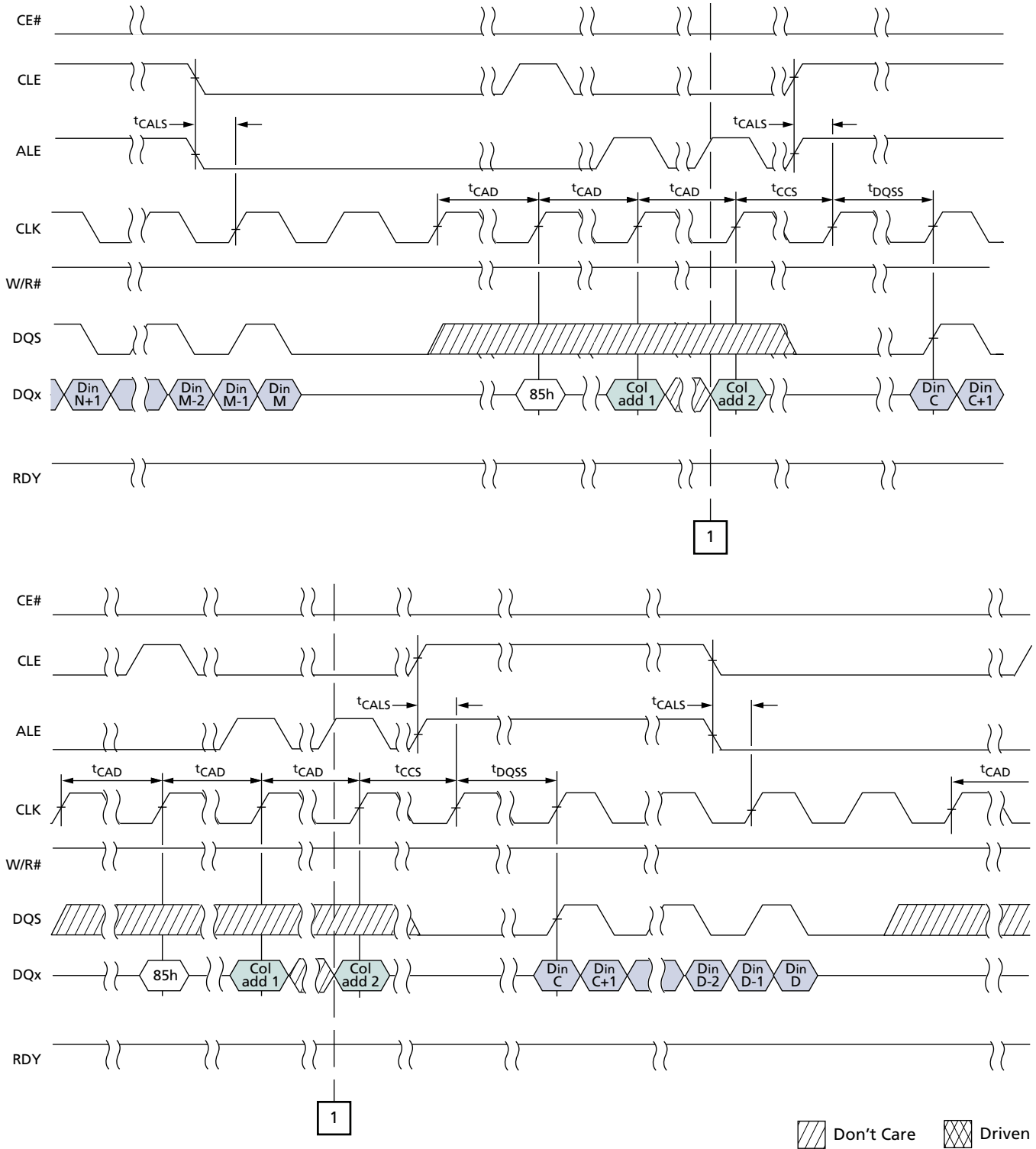
Figure 112: PROGRAM PAGE Operation (2 of 2)





32Gb, 64Gb, 128Gb, 256Gb Asynchronous/Synchronous NAND
Synchronous Interface Timing Diagrams

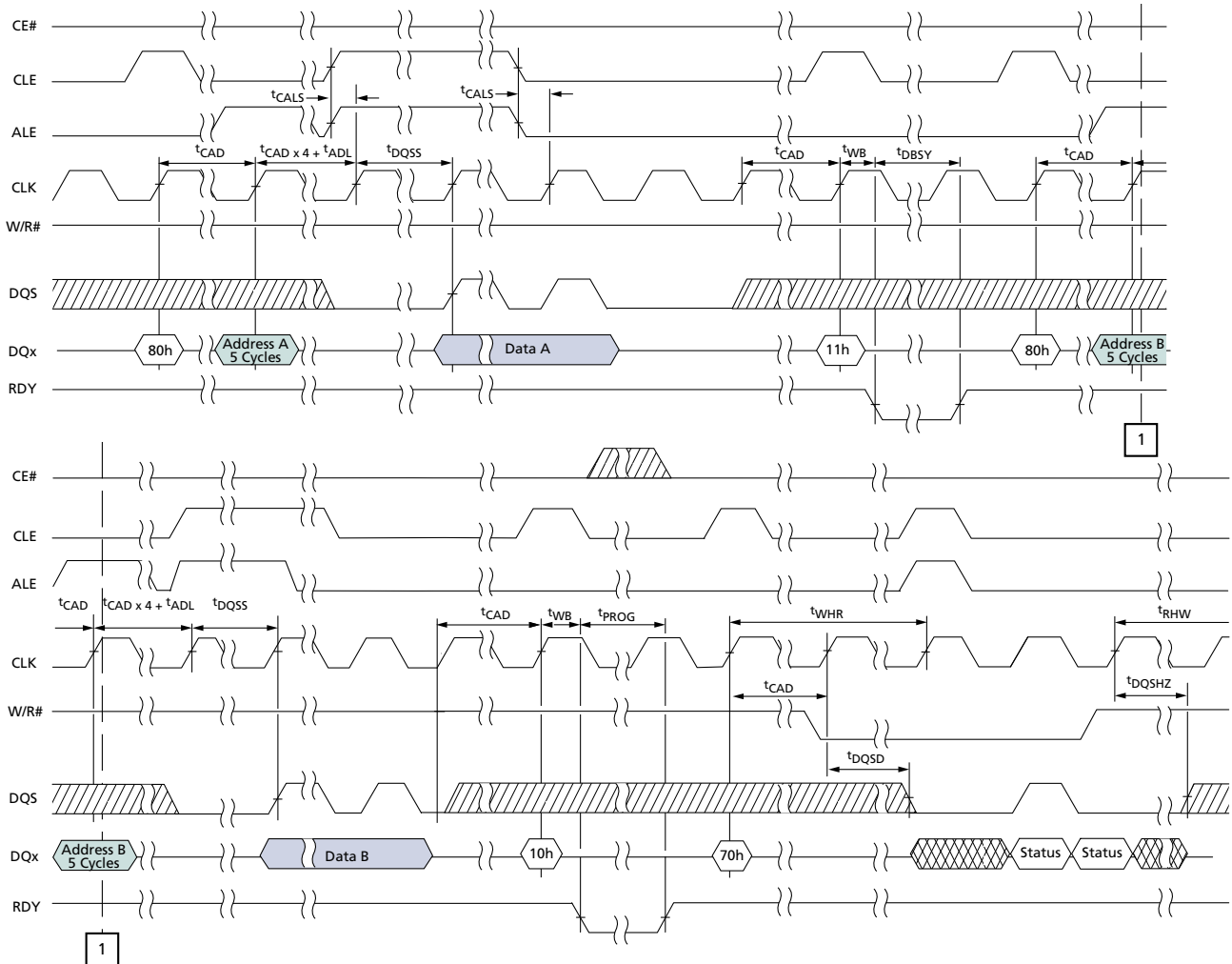
Figure 113: CHANGE WRITE COLUMN





32Gb, 64Gb, 128Gb, 256Gb Asynchronous/Synchronous NAND Synchronous Interface Timing Diagrams

Figure 114: Multi-Plane Program Page





32Gb, 64Gb, 128Gb, 256Gb Asynchronous/Synchronous NAND Synchronous Interface Timing Diagrams

Figure 115: ERASE BLOCK

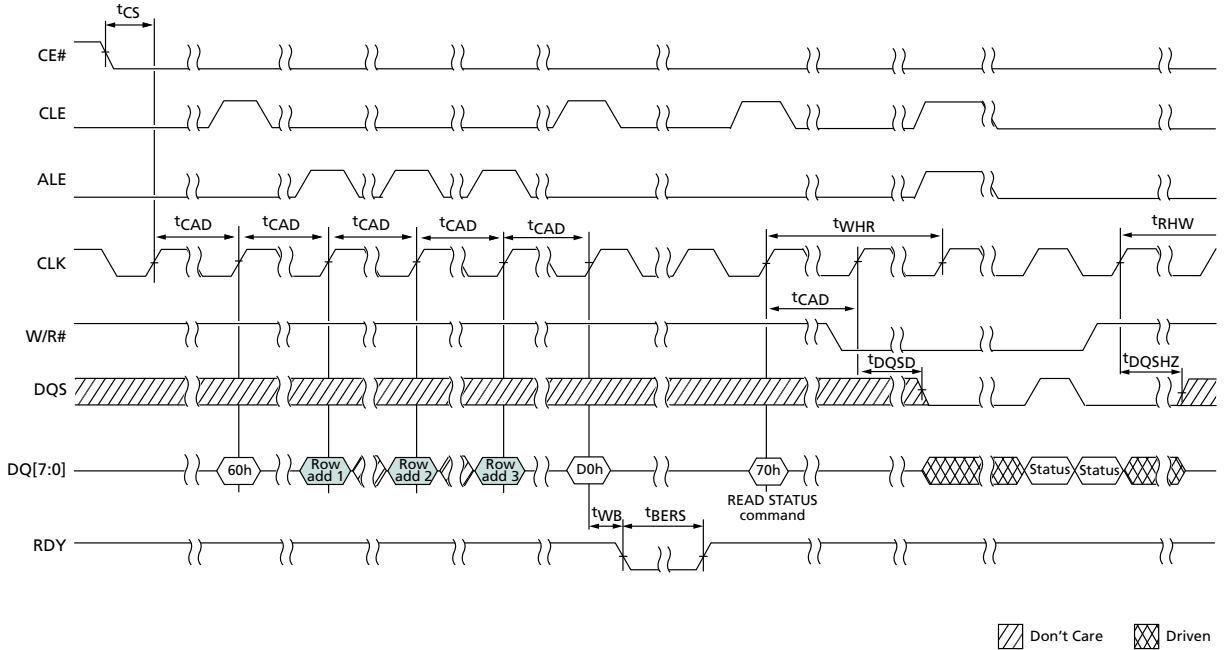
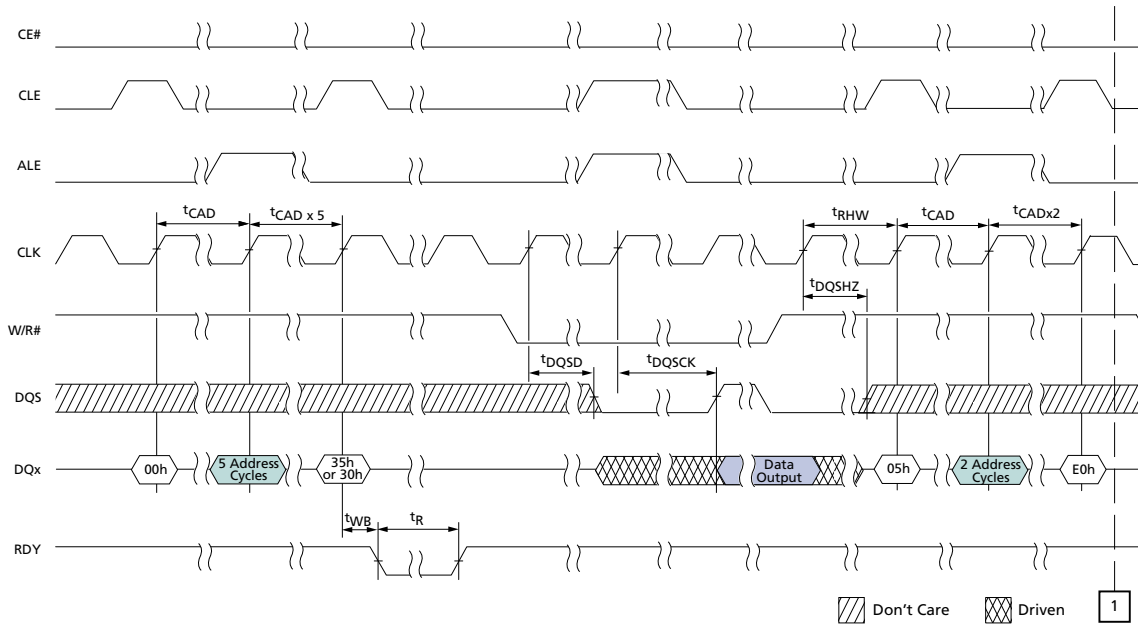


Figure 116: COPYBACK (1 of 3)





32Gb, 64Gb, 128Gb, 256Gb Asynchronous/Synchronous NAND Synchronous Interface Timing Diagrams

Figure 117: COPYBACK (2 of 3)

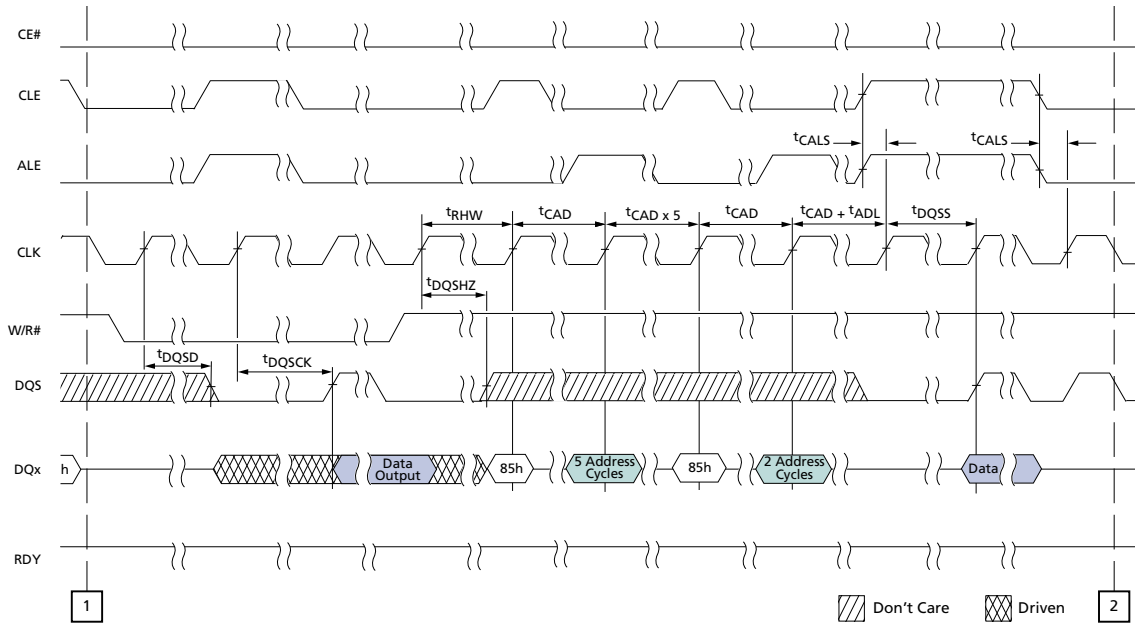
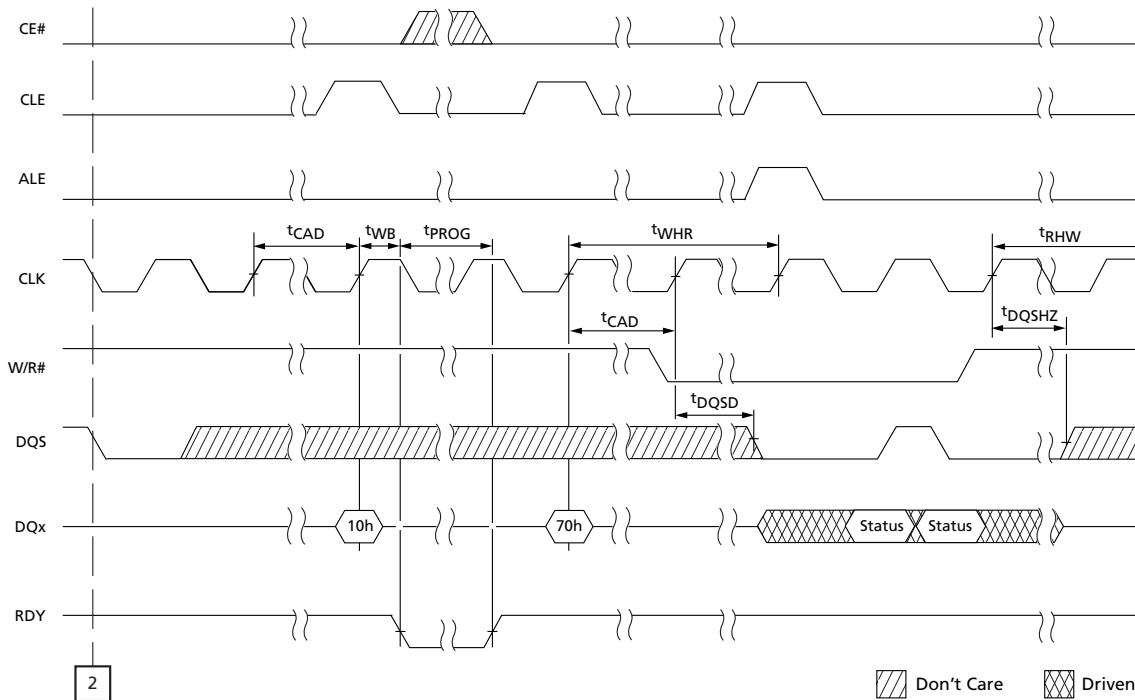


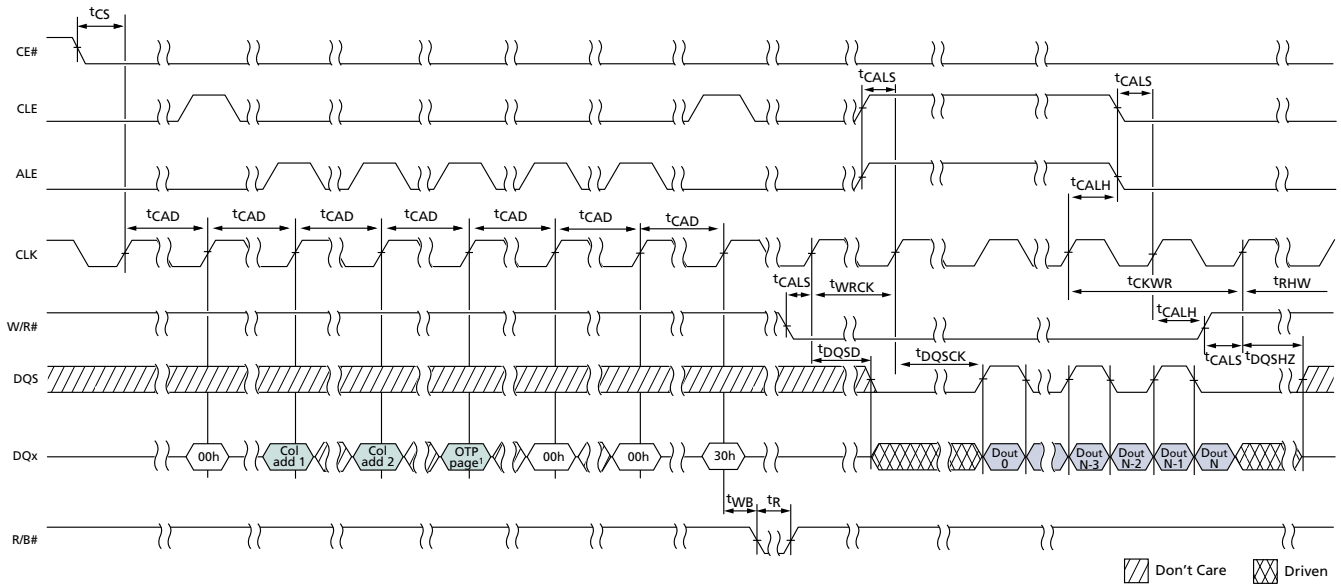
Figure 118: COPYBACK (3 of 3)





32Gb, 64Gb, 128Gb, 256Gb Asynchronous/Synchronous NAND Synchronous Interface Timing Diagrams

Figure 119: READ OTP PAGE





32Gb, 64Gb, 128Gb, 256Gb Asynchronous/Synchronous NAND Synchronous Interface Timing Diagrams

Figure 120: PROGRAM OTP PAGE (1 of 2)

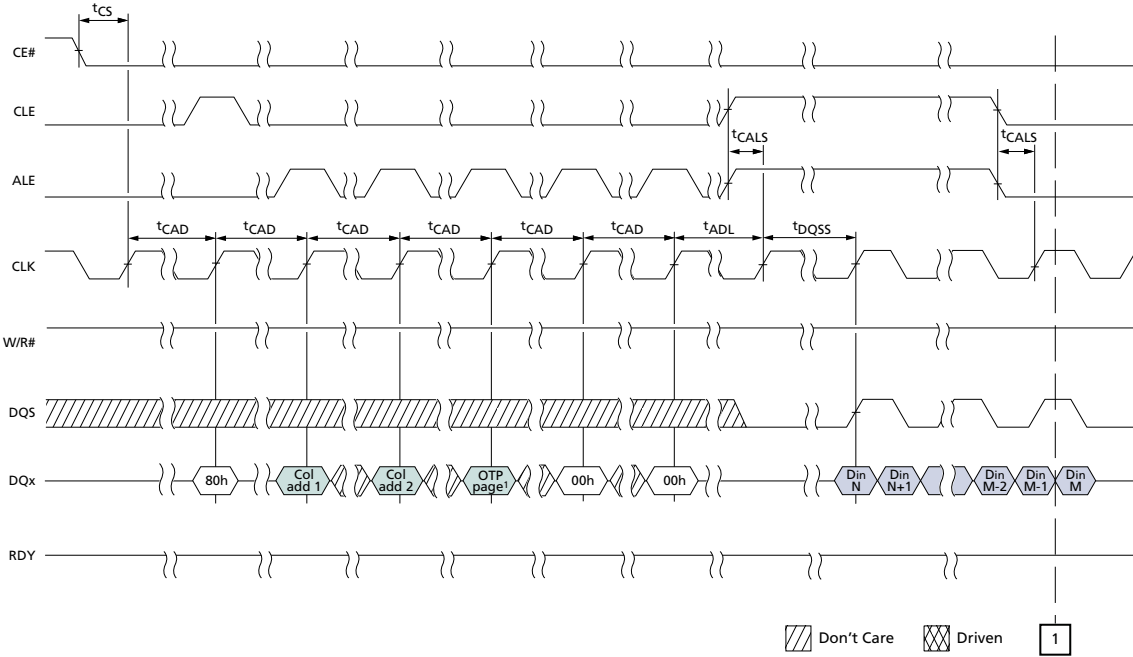
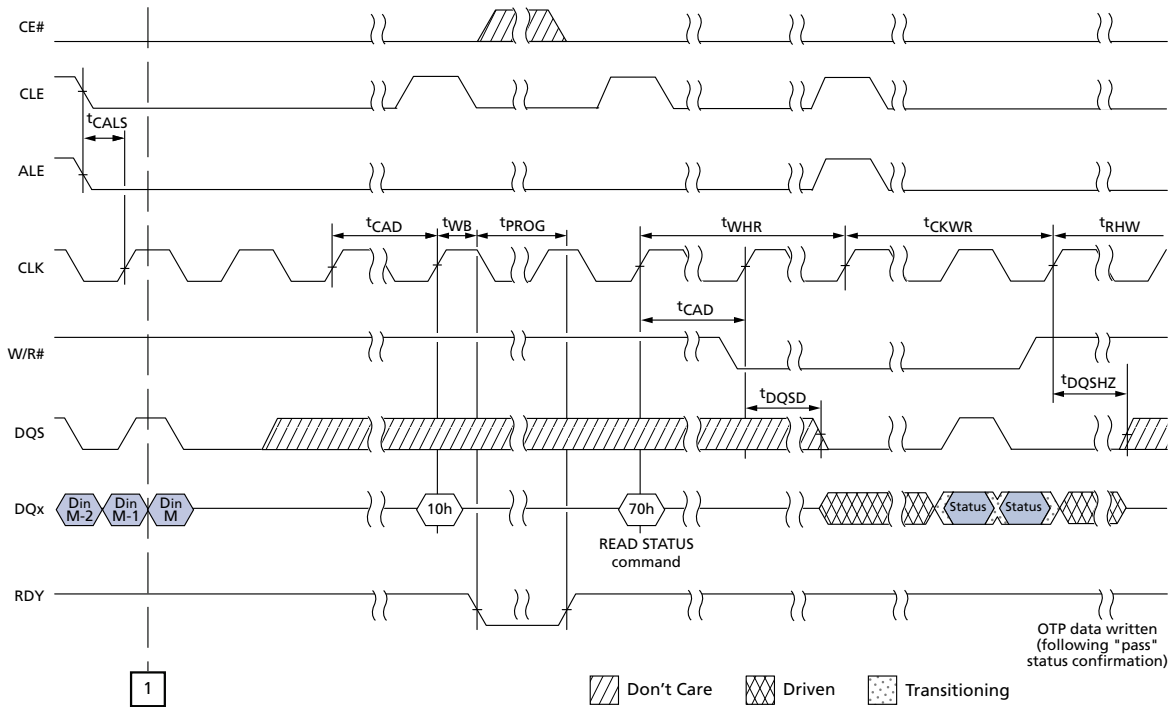


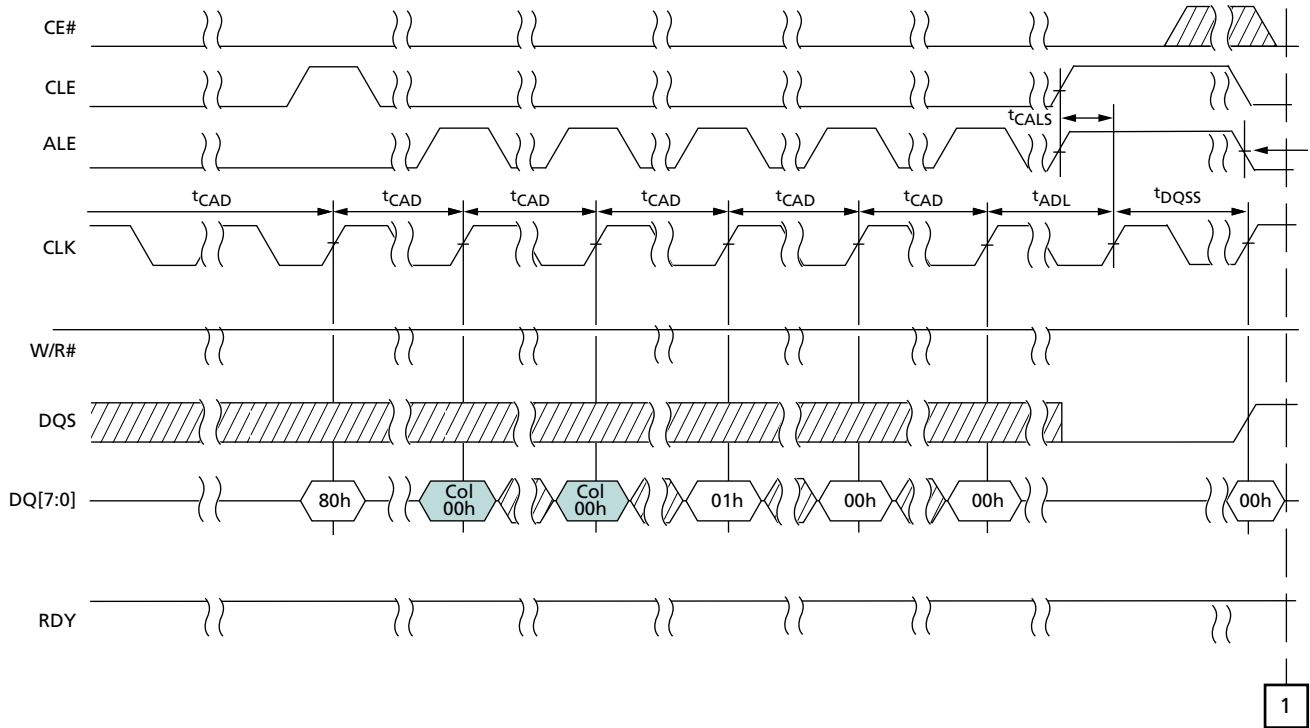
Figure 121: PROGRAM OTP PAGE (2 of 2)



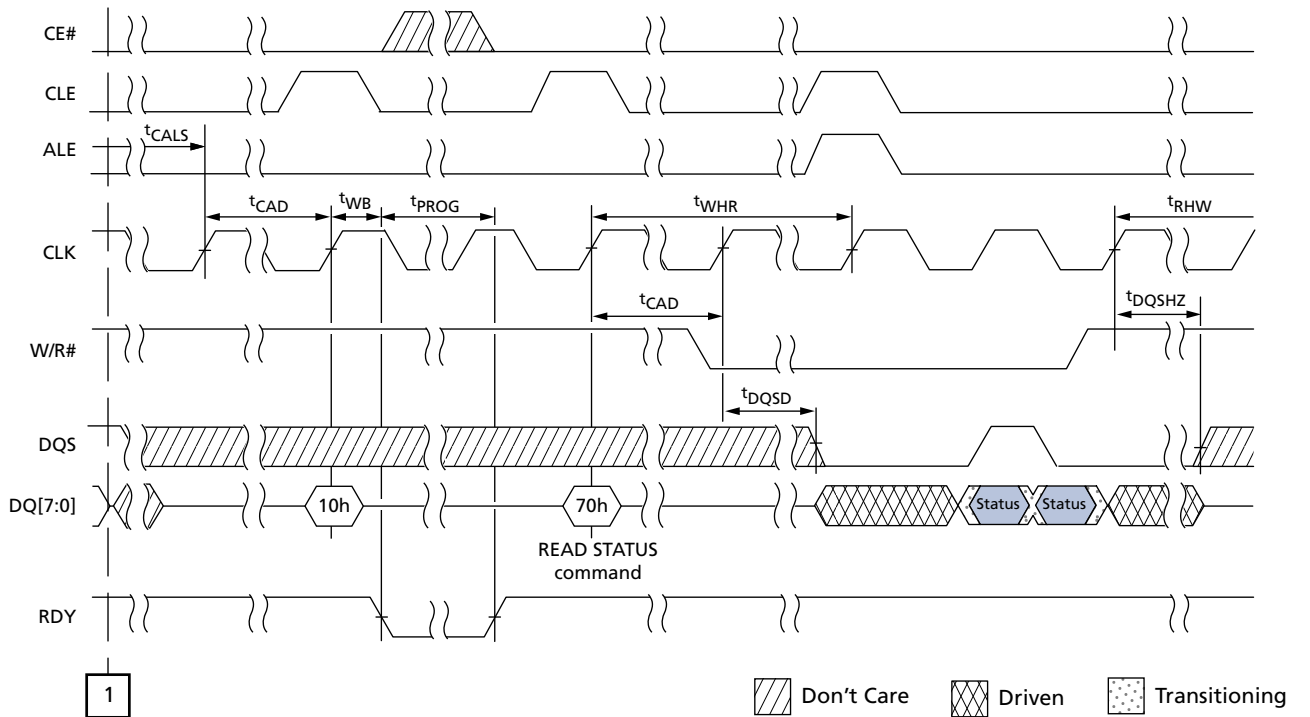


32Gb, 64Gb, 128Gb, 256Gb Asynchronous/Synchronous NAND Synchronous Interface Timing Diagrams

Figure 122: PROTECT OTP AREA



1



1

Don't Care
 Driven
 Transitioning



Revision History

Rev. H Production – 2/14

- Corrected typo on features page - number of blocks on 256Gb device

Rev. G Production – 1/14

- Updated Parameter Page Data Structure table for:
 - Byte 154 to 6Eh
 - Bytes 253 for revision and 254–255 for CRC

Rev. F Production – 5/12

- Added polyimide wafer process option to part numbering
- Updated the Output Drive Strength Conditions table so that range labels (min & max) match the ONFI definition
- Changed the Output Drive Strength Conditions table to show minimum temperature as T_A (MIN) and maximum temperature as T_A (MAX)
- Changed table heading from “Output Drive Strength Test Conditions” to “Output Drive Strength Conditions”

Rev. E Production – 4/12

- Added 132-ball BGA package options and information regarding those devices

Rev. D Production – 6/11

- Changed endurance to 60,000 P/E cycles
- Updated Read Parameter Page values
- Added further clarification on definitions for Interleaved Die (Multi-LUN) Operations section
- Updated I_{CC4R_S} and I_{CC4W_S} Max to 27mA
- Updated t_{BERS} TYP to 1.5ms and Max to 7ms
- Updated t_{CBSY} TYP to 12 μ s
- Updated t_{RCBSY} TYP to 9 μ s
- Updated t_{PROG} TYP to 350 μ s and Max to 560 μ s
- Added note in table Array Characteristics that t_{PROG} for OTP operations could be up to 600 μ s

Rev. C – 12/10

- Updated Read Parameter Page values
- Updated values for Output Drive Impedance for V_{CCQ} 3.3V
- Updated capacitance values for BGA/TSOP devices
- Changed I_{cc4r} and I_{cc4w} values for both Asynchronous and Synchronous operations
- Updated t_{WHR} for Synchronous mode of operation to 80ns for all timing modes



32Gb, 64Gb, 128Gb, 256Gb Asynchronous/Synchronous NAND Revision History

Rev. B – 7/10

- Changed Data Retention statement from '10 years' to 'JESD47G compliant; see 'Qualification Report'
- Updated Read Parameter Page values
- Added note in table Array Characteristics that t_R for invalid factory blocks could be up to 38 μ s
- Updated capacitance values for 52-Pad LGA devices
- Changed t_{AC} Min from 10ns to 3ns
- Changed t_{DQSD} Max from 20ns to 18ns
- Changed t_{OBSY} Max from 30 μ s to 40 μ s

Rev. A – 2/10

- Initial release

8000 S. Federal Way, P.O. Box 6, Boise, ID 83707-0006, Tel: 208-368-3900
www.micron.com/productsupport Customer Comment Line: 800-932-4992
Micron and the Micron logo are trademarks of Micron Technology, Inc.
All other trademarks are the property of their respective owners.

This data sheet contains minimum and maximum limits specified over the power supply and temperature range set forth herein. Although considered final, these specifications are subject to change, as further product development and data characterization sometimes occur.

Mouser Electronics

Authorized Distributor

Click to View Pricing, Inventory, Delivery & Lifecycle Information:

[Micron Technology:](#)

[MT29F64G08AFAAAWP-ITZ:A](#) [MT29F32G08ABAAWP-Z:A](#) [MT29F32G08ABCABH1-10ITZ:A](#)
[MT29F128G08AJAAWP-ITZ:A](#) [MT29F64G08AECABH1-10ITZ:A](#)