

# SAW Device

## WFA18B0037KB

For High Precision Industry

### Features

- IF SAW filter for digital terrestrial broadcasting mini-satellite.
- Compact.
- With a low-band ripple.
- Excellent steepness characteristics.



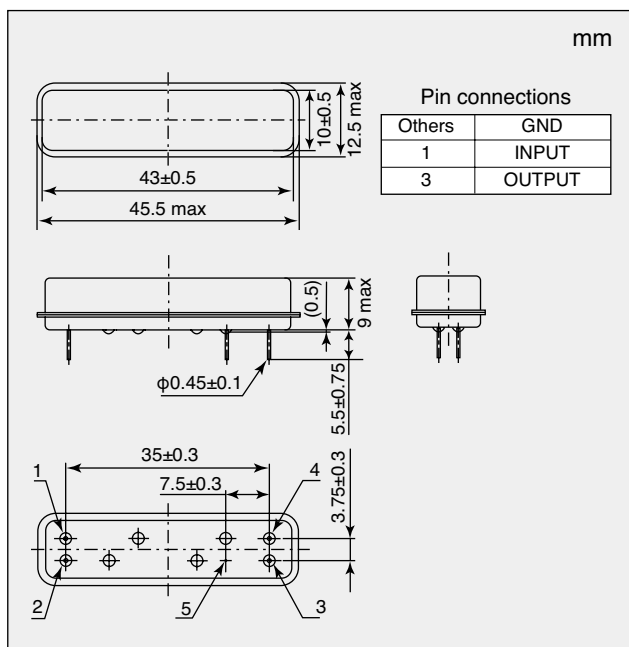
Pb Free

RoHS Compliant  
Directive 2011/65/EU

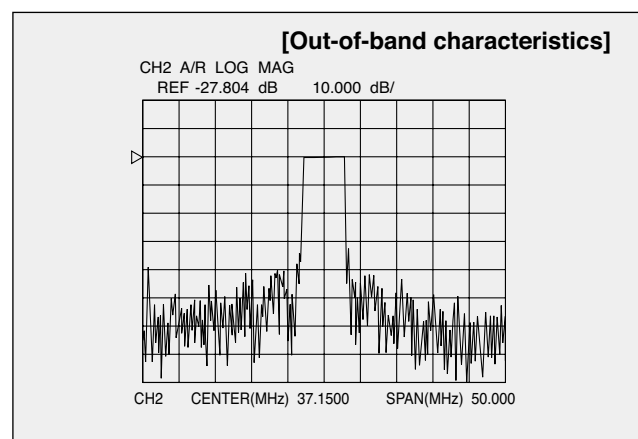
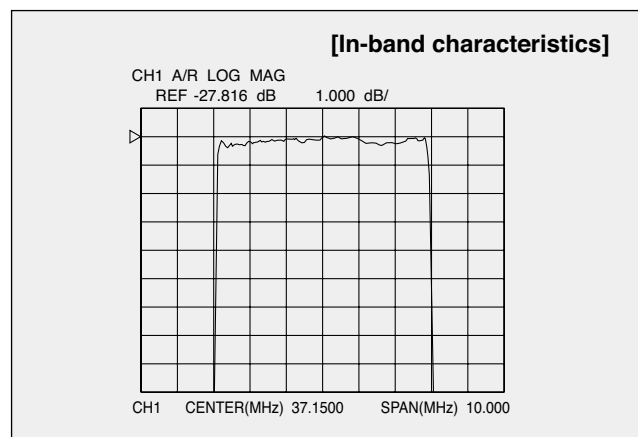
### Specifications

Model		WFA18B0037KB		
Item		min.	typ.	max.
Nominal frequency : f <sub>0</sub> (MHz)			37.15	
Minimum loss : IL (dB)		-	27.8	30
1 dB bandwidth : (Minimum loss) :	Lower (MHz)	-	-2.91	-2.79
	Upper (MHz)	+2.79	+2.91	-
In-band deviation (Max. f <sub>0</sub> ±2.79 MHz)(dB)		-	0.5	1.0
Guaranteed attenuation (Minimum loss standard)	f <sub>0</sub> -15 to f <sub>0</sub> -3.2 MHz (dB)	30	33	-
	f <sub>0</sub> +3.2 to f <sub>0</sub> +15 MHz (dB)	30	33	-
Operating temperature range (°C)		-10 to +60		
Terminating impedance (Ω)		50 (with matching)		

### Dimensions



### Characteristics



### Matching Circuit

