



# CRYSTAL RESONATOR

## LEAD TYPE

### AT-49 Series

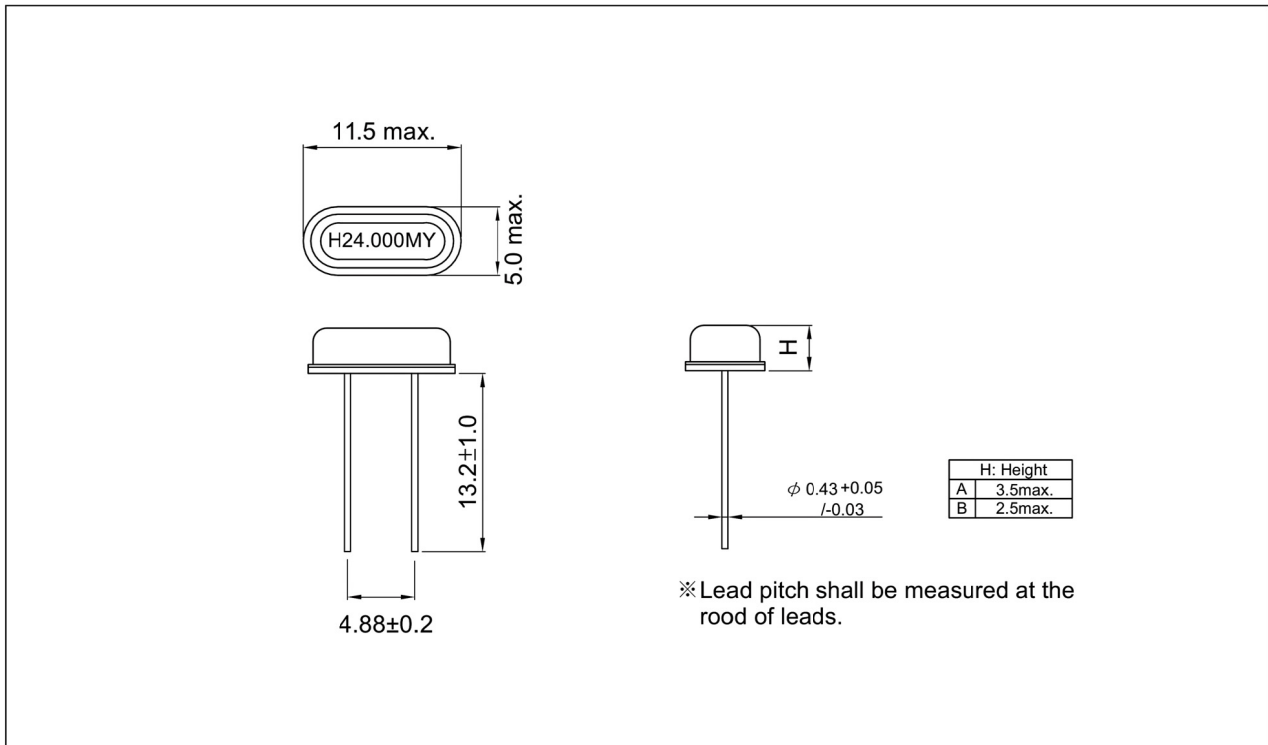


#### Features:

- This series applies reliable resistance-weld sealing which ensure high specification performance.
- Height can be custom designed according to customer requirement.
- High reliability against shock and vibration.
- Mature industry production history for less space-sensitive product designs.



#### Dimension (mm):



#### Standard Specification:

TEM	TYPE	AT-49		FREQUENCY	Mode	RR/SERIES
		A	B			
Frequency Range		3.0~75 MHz	6.0~75 MHz	3.0 ~ 3.6 MHz	Fund.	150ΩMax.
Oscillation Mode	Thickness Shear Mode	Fundamental; 3rd Overtone		3.7 ~ 4.2 MHz	Fund.	100ΩMax.
Frequency Tolerance (at 25°C )		±10ppm, ±30ppm, ±50ppm, ±100ppm or specify		4.3 ~ 6.0 MHz	Fund.	80ΩMax.
Frequency Stability Over Operating Temperature Range (Ref. to 25°C )		±10ppm, ±30ppm, ±50ppm, ±100ppm (standard) or specify		6.1 ~ 10.0 MHz	Fund.	60ΩMax.
Operating Temperature Range		-10 ~ +60°C		10.1 ~ 14.0 MHz	Fund.	50ΩMax.
Drive Level (DL)		100µW Typ, or specify		14.1 MHz ~	Fund.	40ΩMax.
Load Capacitance (CL)		Series, 12pF, 16pF, 20pF, 32pF (Fund.) or specify. 8pF, 10pF, 12pF, 16pF(3rd) or specify.		26.0 ~ 29.0 MHz	Fund. 3rd.	40ΩMax. 150ΩMax.
Storage Temperature Range		-30 ~ +80°C		29.1 ~ 40.0 MHz	Fund. 3rd.	40ΩMax. 100ΩMax.
Aging (at 25°C )		±5ppm/year Max.		40.1 ~ 75.0 MHz	3rd.	80ΩMax.

\*BULK PACKAGE.