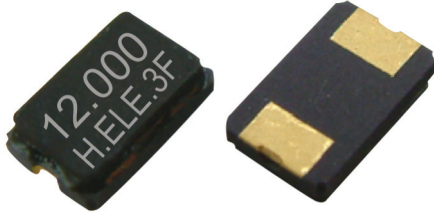


CRYSTAL RESONATOR

Glass Sealing Package

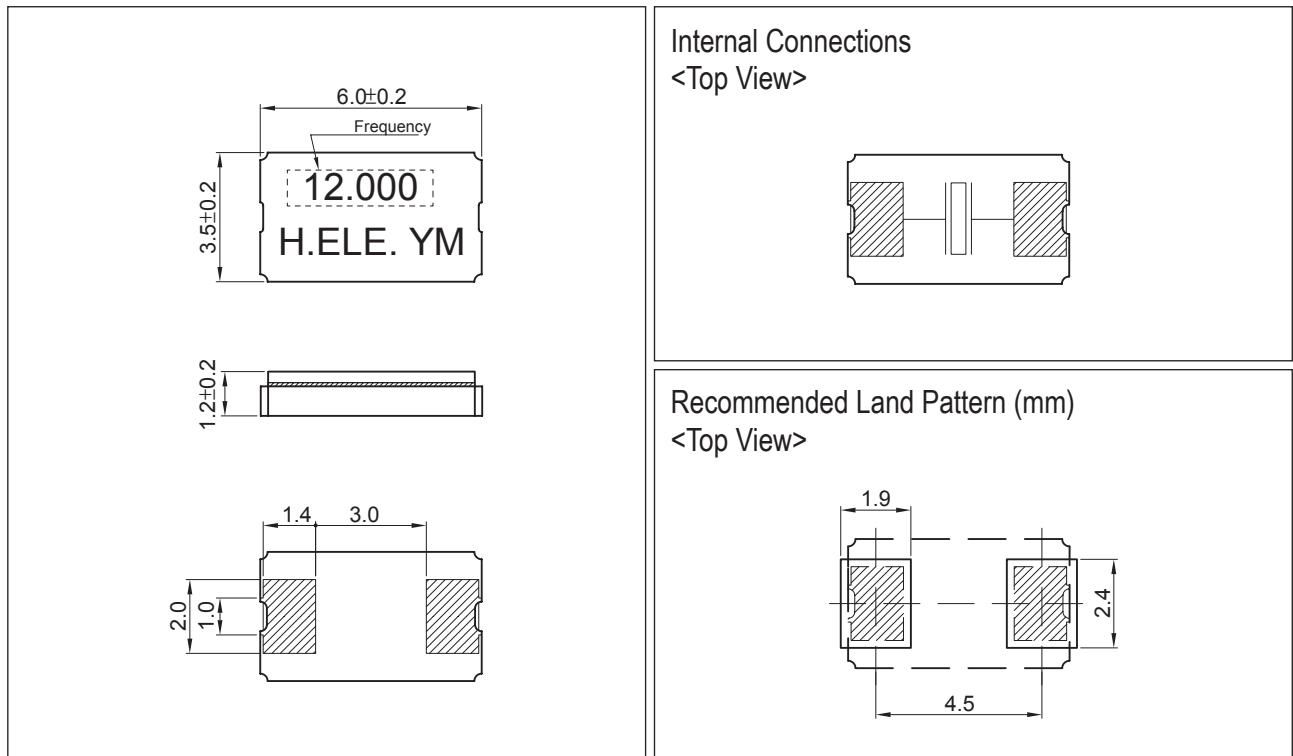
HSX630G Series



Features:

- High precision and reliability with excellent heat resistance.
- Suitable for various applications.
- Common temporary crossover solution for more portable consumer devices.
- Selective temporary solution for DIP type clock design looking to consider a switch to SMD type production.

Dimension (mm):



Standard Specification:

ITEM	TYPE	HSX630G			
		7.372~10MHz	10~12MHz	12~50MHz	40 ~ 80 MHz
Frequency Range		7.372~10MHz	10~12MHz	12~50MHz	40 ~ 80 MHz
Mode		Fundamental			3rd Overtone
Frequency Tolerance		±30ppm , ±50ppm			
Frequency Stability over Operating Temperature Range		±30ppm, ±50ppm			
Operating Temperature		-10 ~ +60°C			
Load Capacitance		Series, 8pF, 10pF, 12pF or Specify			
Drive Level		10μW(100μW Max.)	10μW(300μW Max.)	10μW(500μW Max.)	
Equivalent Series Resistance		150ΩMax.	80Ω Max.	50Ω Max.	70ΩMax.
Storage Temp. Range		-40 ~ +125°C			

*Packing Unit: 1,000pcs/Reel.