

# Crystal Units

## Surface Mount Type CX3225SB



3.2×2.5mm for GPS



RoHS Compliant

### Features

- Crystal unit for GPS Products
- Miniature and low profile (3.2×2.5×0.55mm)
- Ceramic package
- Reflow compatible

### Applications

- GPS

### How to Order

CX3225SB 19200

① ② ③ ④ ⑤ ⑥ ⑦

- ① Series
- ② Frequency
- ③ Load Capacitance
- ④ Frequency Tolerance

**D0** 8 pF **G** ±10×10<sup>-6</sup>

⑤ Operating Temp. Range ⑥ Frequency Temp. Stability

**LJ** -30 to +85°C ±15×10<sup>-6</sup>

⑦ Individual Specification

Packaging (Tape & Reel 1000/ 3000 pcs./ reel)

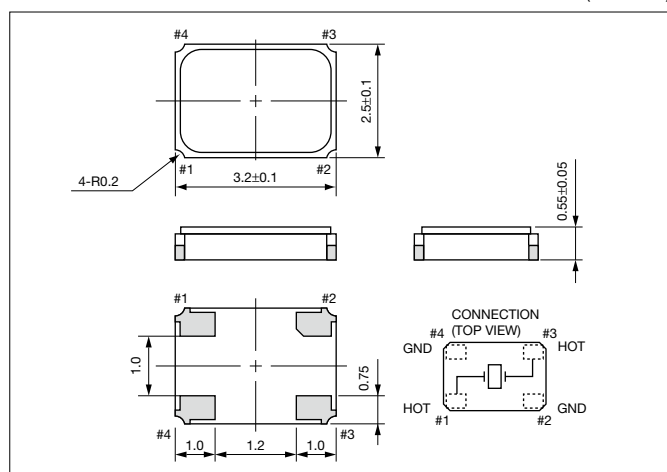
### Specifications

Item	Symbol	Specification		Units	Remarks
Frequency Range	f <sub>nom</sub>	19200	26000	kHz	
Overtone Order	OT	Fundamental		—	
Load Capacitance	CL	8		pF	Please contact us for other Load Capacitance.
Frequency Tolerance	f <sub>tol</sub>	±10		×10 <sup>-6</sup>	25°C±3°C
Motional Series Resistance	R1	80	50	ohm	
Drive Level	DL	10		μW	
Operating Temp. Range	T <sub>use</sub>	-30 to +85		°C	
Storage Temp. Range	T <sub>stg</sub>	-40 to +85		°C	
Frequency Temp. Characteristics	f <sub>tem</sub>	±15		×10 <sup>-6</sup>	Freq. deviation from the value at 25°C

Please contact us for other specifications.

### Dimensions

(Unit: mm)



### Recommended Land Pattern

(Unit: mm)

