

Temperature Compensated Crystal Oscillators (TCXO, VCTCXO) Surface Mount Type TCXO (LSI Type) KT1612 Series



1.6×1.2mm



RoHS Compliant

Features

- Ultra-miniature SMD type (1.65×1.25×0.55mm)
- Freq. temp. characteristics:
: ±2.0×10⁻⁶/ -30 to +85°C
: ±0.5×10⁻⁶/ -30 to +85°C (for GPS)
- 1.68 to 3.63V drive available
- Reflow compatible
- Operating Temp. -40 to +105°C (Option)
- AEC-Q200 qualified

Applications

- Mobile Communications, W-LAN
- Low power radio communications
- GPS Unit

How to Order

KT1612A 26000 A C W 18 T xx
① ② ③ ④ ⑤ ⑥ ⑦ ⑧

① Series	⑥ Supply Voltage
② Output Frequency	⑦ Voltage Control Function
③ Freq. Temp. Chrst.	⑧ Option Code
A ±0.5×10 ⁻⁶	18 1.8V 28 2.8V
B ±1.0×10 ⁻⁶	30 3.0V 33 3.3V
C ±1.5×10 ⁻⁶	T TCXO
D ±2.0×10 ⁻⁶	Other* VCTCXO
④ Lower Operating Temp.	* Customer Spec.
C -30°C	
E -20°C	
G -10°C	
⑤ Upper Operating Temp.	
W +85°C	
V +80°C	
U +75°C	

Packaging (Tape & Reel 18000 pcs./ reel)

Specifications

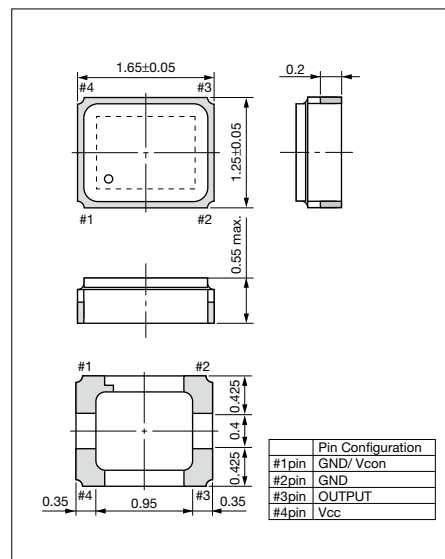
Item	Symbol	Conditions	Min.	Max.	Units
Output Frequency Range	f _o		10	52	MHz
Frequency Tolerance	f _{tol}	vs Temperature	-0.5/ -2	+0.5/ +2	×10 ⁻⁶
		vs Load	-0.2	+0.2	
		vs Voltage	-0.2	+0.2	
Frequency Aging	f _{age}	Per Year	-1	+1	×10 ⁻⁶
Storage Temperature Range	T _{stg}		-40	+85	°C
Operating Temperature Range	T _{use}		-30	+85	°C
Voltage Control Range	f _{cont}	Positive	±8	±15	×10 ⁻⁶
Supply Voltage	V _{cc}		1.68	3.63	V
Output Level	V _{pp}	Clipped Sine*, Load: 10k ohm // 10pF	0.8	-	Vp-p
Current Consumption	I _{cc}		-	2	mA
Harmonics	-		-	-5	dBc

* : A DC-cut capacitor is not embedded in this crystal oscillator. Connect a DC-cut capacitor (≥1nF) to the line-out terminal of the oscillator.

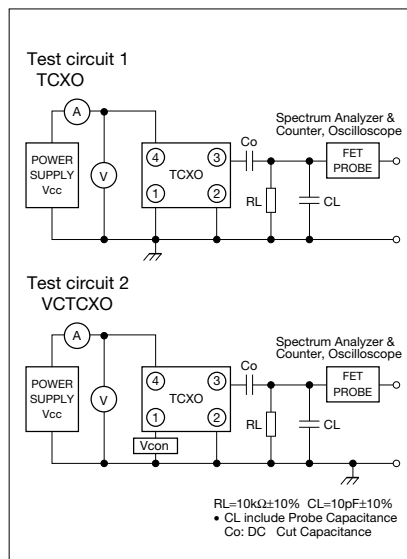
* Please contact us for other specifications.

Dimensions

(Unit: mm)



Test Circuit



Recommended Land Pattern

(Unit: mm)

