



CRYSTAL UNIT

CGX-50322, CGX-50324

Applications

- Automotive / MultiMedia / Bluetooth

Features

- Dimensions (5.0 × 3.2 × 1.1)
- Ceramic SMD Package
- Glass Sealed
- Excellent Environment Resistant
- Reflow Soldering / Emboss Taping
- Compliant products with AEC-Q200

Specifications



Model	CGX-50322, CGX-50324
Nominal frequency range	8.000~54.000 MHz
Crystal cut	Fundamental [AT-cut]
Storage temperature range	-40~+90°C, -40~+125°C
Operating temperature range	-40~+85°C, -40~+125°C
Frequency temperature characteristics (Ref. to +25°C)	$\pm 50 \times 10^{-6}$, $\pm 100 \times 10^{-6}$
Frequency tolerance (at +25°C)	$\pm 30 \times 10^{-6}$, $\pm 50 \times 10^{-6}$
Equivalent series resistance	150Ω: 8.000 ~ 9.999 MHz 100Ω: 10.000~22.999 MHz 50Ω: 23.000~54.000 MHz
Load capacitance	series, 10pF, 12pF, 16pF, 18pF, 20pF
Shunt capacitance	5pF max.
Level of drive	10 μW (100 μW max.)

Package quantity: 1,000pcs max./Reel.

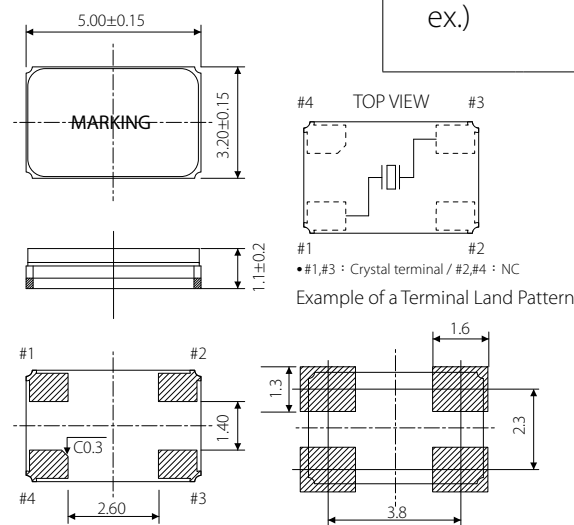
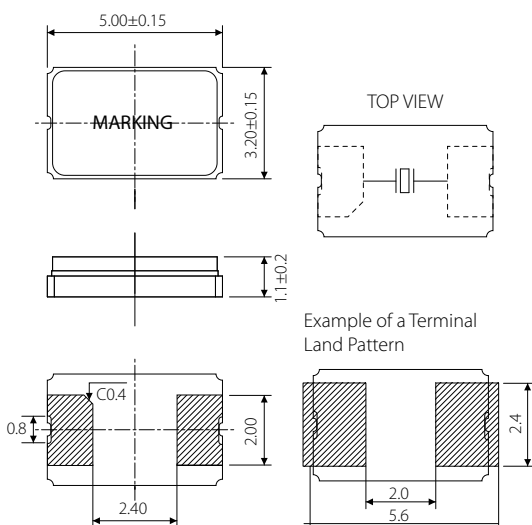
The product is suitable for Car multimedia, Car accessory application.

Outline and Dimensions [unit:mm]

Maximum marking length		Marking
line1	line2	
7	7	Laser
ex.)		16. 0GA SIWARD

CGX-50322

CGX-50324



#1 TOP VIEW #2 #3

#1 #2 #3 #4 : Crystal terminal / #2,#4 : NC

Example of a Terminal Land Pattern