

# CRYSTAL UNIT

## CSX-5032

### Applications

- Automotive / MultiMedia / Bluetooth

### Features

- Ultra thin / Dimensions (5.0×3.2×0.7)
- Ceramic SMD Package
- Excellent Environment Resistant
- Tight Tolerance and Stability
- Reflow Soldering / Emboss Taping
- Compliant products with AEC-Q200

### Specifications

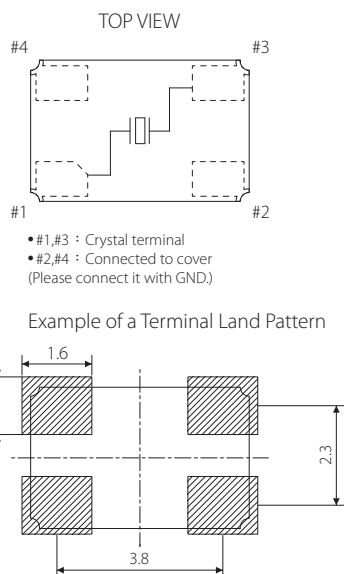
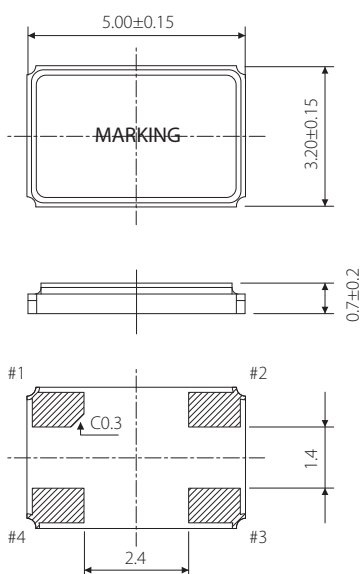


Model	CSX-5032
Nominal frequency range	9.800~40.000 MHz
Crystal cut	Fundamental [AT-cut]
Storage temperature range	-40~+125°C
Operating temperature range	-40~+85°C; -40~+125°C
Frequency temperature characteristics (Ref. to +25°C)	$\pm 50 \times 10^{-6}$ ; $\pm 100 \times 10^{-6}$
Frequency tolerance (at +25°C)	$\pm 15 \times 10^{-6}$
Equivalent series resistance	60Ω: 9.800~10.999 MHz 50Ω: 11.000~11.999 MHz 40Ω: 12.000~24.999 MHz 30Ω: 25.000~40.000 MHz
Load capacitance	series, 10pF, 12pF, 16pF
Shunt capacitance	5pF max.
Level of drive	10 μW (100 μW max.)

Package quantity: 1,000pcs max./Reel.

The product is suitable for Car multimedia, Car accessory application.

### Outline and Dimensions [unit:mm]



- #1,#3 : Crystal terminal
- #2,#4 : Connected to cover (Please connect it with GND.)

Example of a Terminal Land Pattern

Maximum marking length		Marking
line1	line2	
7	7	Laser
ex.)		16. 0GA SIWARD