



TUNING FORK UNIT

SF-1610 New Product

Applications

• Consumer Mobile Equipment

Features

• Small / Low Profile (1.6×1.0×0.5) • Ceramic Package • Pb Free , Reflow Compatible

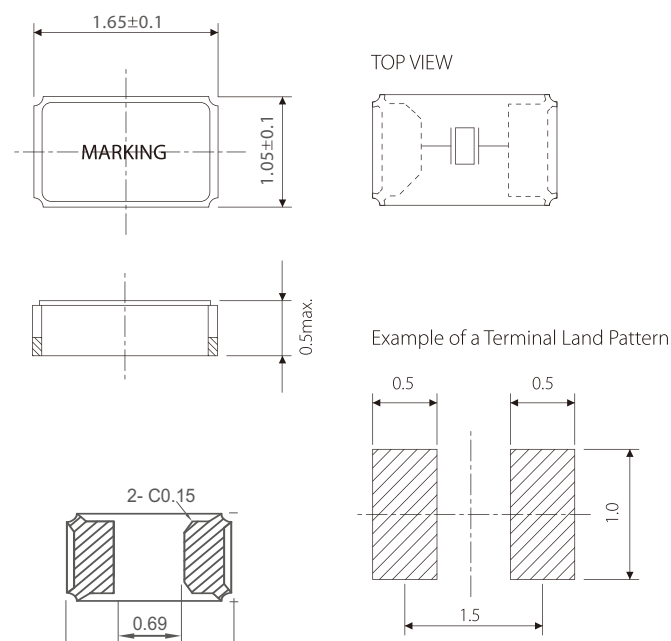
Specifications



| Model | SF-1610 |
|--------------------------------|---------------------------------|
| Nominal frequency range | %(*]: I |
| Storage temperature range | -40°C~+85°C |
| Operating temperature range | -40°C~+85°C |
| Frequency tolerance (at +25°C) | ±20 X 10 ⁻⁶ |
| Load capacitance | (b) b +B # \$ b |
| Equivalent series resistance | 90 kΩ Max. |
| Shunt capacitance | 1.2 pF Typ. |
| Motional capacitance | 6.0 fF Typ. |
| Turnover Temperature | +25°C ± 5°C |
| Parabolic Coefficient | -0.04ppm / °C ² Max. |
| Level of drive | 0.1 μW (0.5 μW Max.) |
| Aging | ±3ppm / Year |

Package quantity: 3,000pcs max./Reel.

Outline and Dimensions [unit:mm]



| Maximum marking length | Marking |
|------------------------|---------|
| line1 | 5 |
| | Laser |
| ex.) | SF925 |