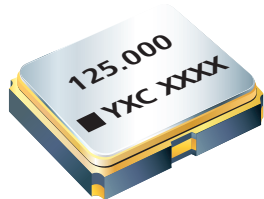




给您一颗快乐的“芯”！

YSO221SR



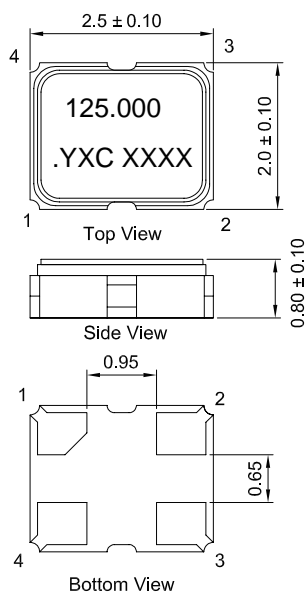
Features

- External dimensions: 2.5 x 2.0 x 0.8 mm.
- Frequency range: 1MHz ~ 150MHz.
- Ultra Small SMD seam sealed clock crystal oscillator units.
- Applications: WLAN, Bluetooth, DSC, DSL and other IT product.
- Tri-state function available.

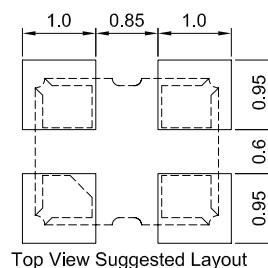
Electrical Specifications

| Item / Type | YSO221SR |
|-------------------------------------|--|
| Output Frequency Range | 1 ~ 150 MHz |
| Output Type | CMOS |
| Supply Voltage | 1.8V/2.5V/3.3V/5V, or specify |
| Oscillation Mode | Fundamental / 3rd Overtone |
| Frequency Tolerance | ± 20ppm, ± 25ppm, or specify |
| Output Load | 15 pF, or specify |
| Operating Temperature Range | - 20 ~ + 70 °C , - 40 ~ + 85 °C , or specify |
| Storage Temperature Range | - 40 ~ + 85 °C , - 55 ~ + 125 °C |
| Voltage Vol (Max.) / Vol (Min.) | 90%Vdd min./10%Vdd max |
| Symmetry | 40 ~ 60 % Standard |
| Rise (Tr) / Fall (Tf) Time | 8 ns Max. |
| Start-up Time | 10 ms Max. |
| Supply Current | See Below |
| Frequency Aging (at 25 °C) | ± 3 ppm / year Max. |

Dimensions



| 引脚 | 功能 | 定义 |
|----|--------|----------|
| 1 | E/D | 三态 / 无三态 |
| 2 | GND | 接地 |
| 3 | OUTPUT | 输出 |
| 4 | Vdd | 电源电压 |



Units: mm



给您一颗快乐的“芯”！

YSO221SR



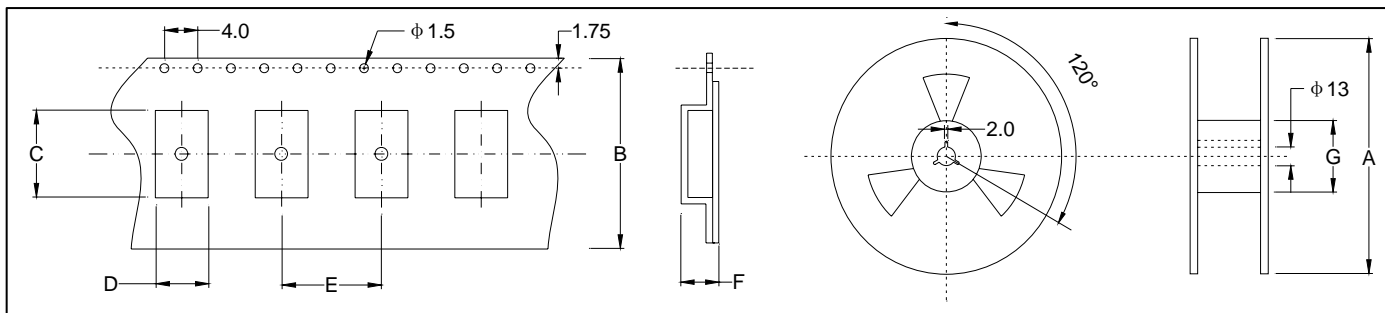
★ PART NUMBER GUIDE 部件号示例 e.g. O2520125MEEA4SC YSO221SR=2.5x2.0 SMD SEAM TYPE

| Quartz Crystal Oscillator | Dimensions | Frequency (Hz) | Supply voltage (V) | Frequency Stability Overall (ppm) | output | Pin | Material | Operating Temp. Range |
|---------------------------|------------|----------------|--------------------|-----------------------------------|--------|-----|----------|-----------------------|
| O | 2520 | 125M | E | E | A | 4 | S | C |

★ INPUT CURRENT 工作电流

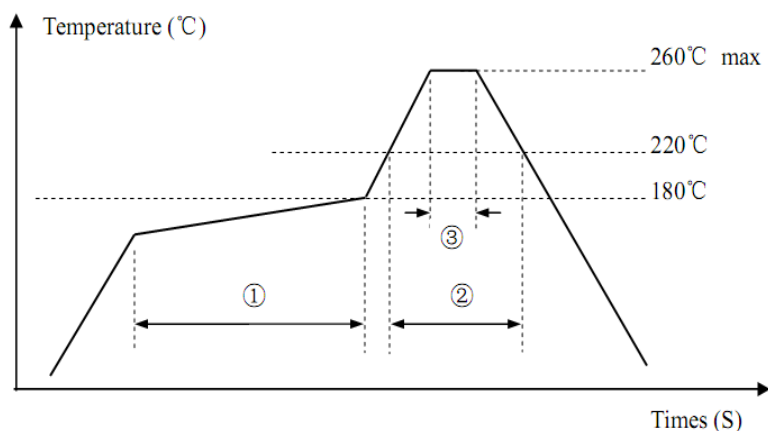
| Vdc=5.0V | | Vdc=1.8~3.3V | |
|-------------------|-----------|-------------------|----------|
| 15pF only | | 15pF only | |
| 1.0 ~ 35.999 MHz | 25 mA max | 1.0 ~ 35.999 MHz | 20mA max |
| 36.0 ~ 69.999 MHz | 60mA max | 36.0 ~ 69.999 MHz | 40mA max |
| 70.0 ~ 150 MHz | 80mA max | 70.0 ~ 150 MHz | 60mA max |

★ TAPING SPECIFICATION (Unit: mm) 编带规格



| | A | B | C | D | E | F | G |
|-------------------|---------|----------|-----------|-----------|----------|----------|----------|
| OSC-SMD2520 | 180±2.0 | 12.1±0.3 | 2.80±0.15 | 2.30±0.15 | 3.85±0.1 | 1.18±0.1 | 61.5±1.0 |
| 3000 pcs per reel | | | | | | | |

★ REFLOW SOLDERING PROFILE 回流焊特性



| Pb free reflow | ① | ② | ③ |
|----------------|--------------|-----------|-------------|
| A | Preheat | 160~180°C | 120sec. max |
| | Primary heat | 220°C | 60sec. max |
| | Peak | 260°C | 10sec. max. |

★ Test Circuit 测试电路

