

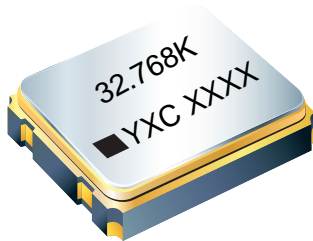


给您一颗快乐的“芯”！

YSO321SK



Features

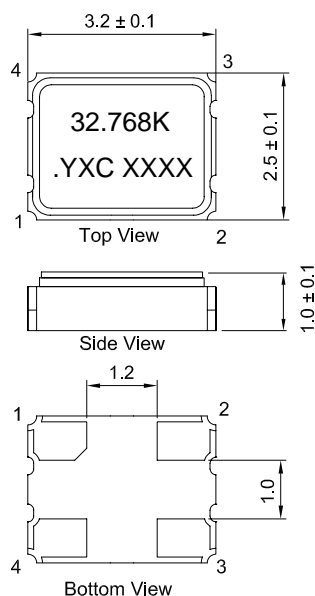


- External dimensions: 3.2 x 2.5 x 1.0 mm.
- Ultra small 32.768 kHz RTC oscillator.
- 4 pads designed to achieve good soldering contact on PCB.
- Use AT crystal as the resonator for good temperature performance.
- Tri-State function available for power saving.
- Applications: Mobile Phone, Tablet, Health and Wellness Monitors, Fitness watches, Sports Video Cams, Wireless keypads.

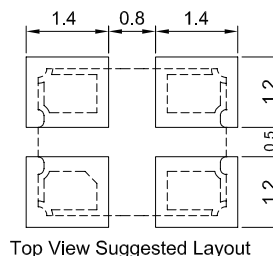
Electrical Specifications

Item / Type	YSO321SK
Output Frequency Range	32.768KHz
Output Type	CMOS
Supply Voltage	1.8V/2.5V/3.3V, or specify
Oscillation Mode	Fundamental / 3rd Overtone
Frequency Tolerance	± 20ppm, ± 25ppm, or specify
Output Load	15 pF, or specify
Operating Temperature Range	- 20 ~ + 70 °C , - 40 ~ + 85 °C , or specify
Storage Temperature Range	- 40 ~ + 85 °C , - 55 ~ + 125 °C
Voltage Vol (Max.) / Vol (Min.)	90%Vdd min./10%Vdd max
Symmetry	40 ~ 60 % Standard
Rise (Tr) / Fall (Tf) Time	8 ns Max.
Start-up Time	10 ms Max.
Supply Current	See Below
Frequency Aging (at 25 °C)	± 3 ppm / year Max.

Dimensions



引脚	功能	定义
1	E/D	三态 / 无三态
2	GND	接地
3	OUTPUT	输出
4	Vdd	电源电压



Units: mm



给您一颗快乐的“芯”！

YSO321SK



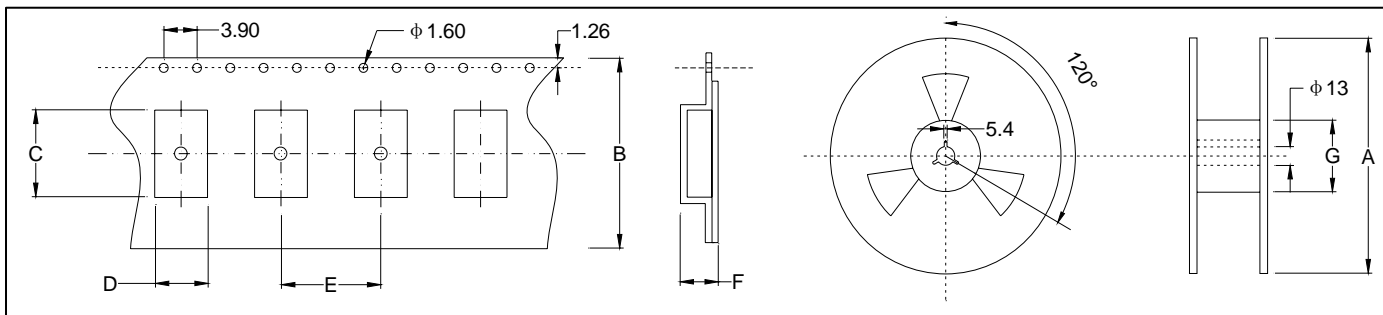
★ PART NUMBER GUIDE 部件号示例 e.g. O322532768KEEA4SC YSO321SK=3.2x2.5 SMD SEAM TYPE

Quartz Crystal Oscillator	Dimensions	Frequency (Hz)	Supply voltage (V)	Frequency Stability Overall (ppm)	output	Pin	Material	Operating Temp. Range
O	3225	32768K	E	E	A	4	S	C

★ INPUT CURRENT 工作电流

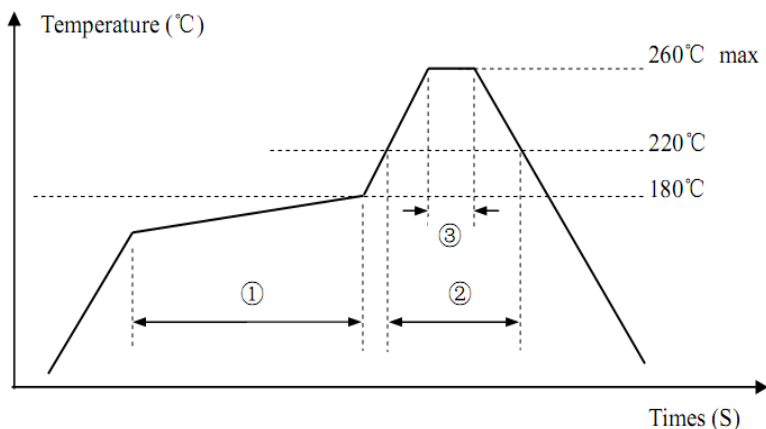
Vdc=1.8~3.3V	
15pF only	
32.768 KHz	0.5mA max

★ TAPING SPECIFICATION (Unit: mm) 编带规格



	A	B	C	D	E	F	G
OSC-SMD3225	180±2.0	12.1±0.3	4.03±0.15	3.11±0.15	3.85±0.1	1.38±0.1	61.6±1.0
3000 pcs per reel							

★ REFLOW SOLDERING PROFILE 回流焊特性



Pb free reflow A	①	Preheat	160~180°C	120sec. max
	②	Primary heat	220°C	60sec. max
	③	Peak	260°C	10sec. max.

★ Test Circuit 测试电路

