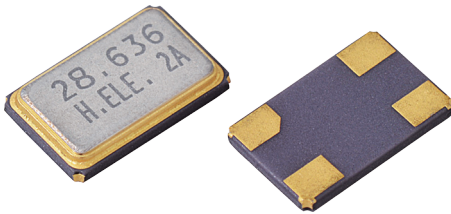


# CRYSTAL RESONATOR

## Seam Sealed Ceramic Package

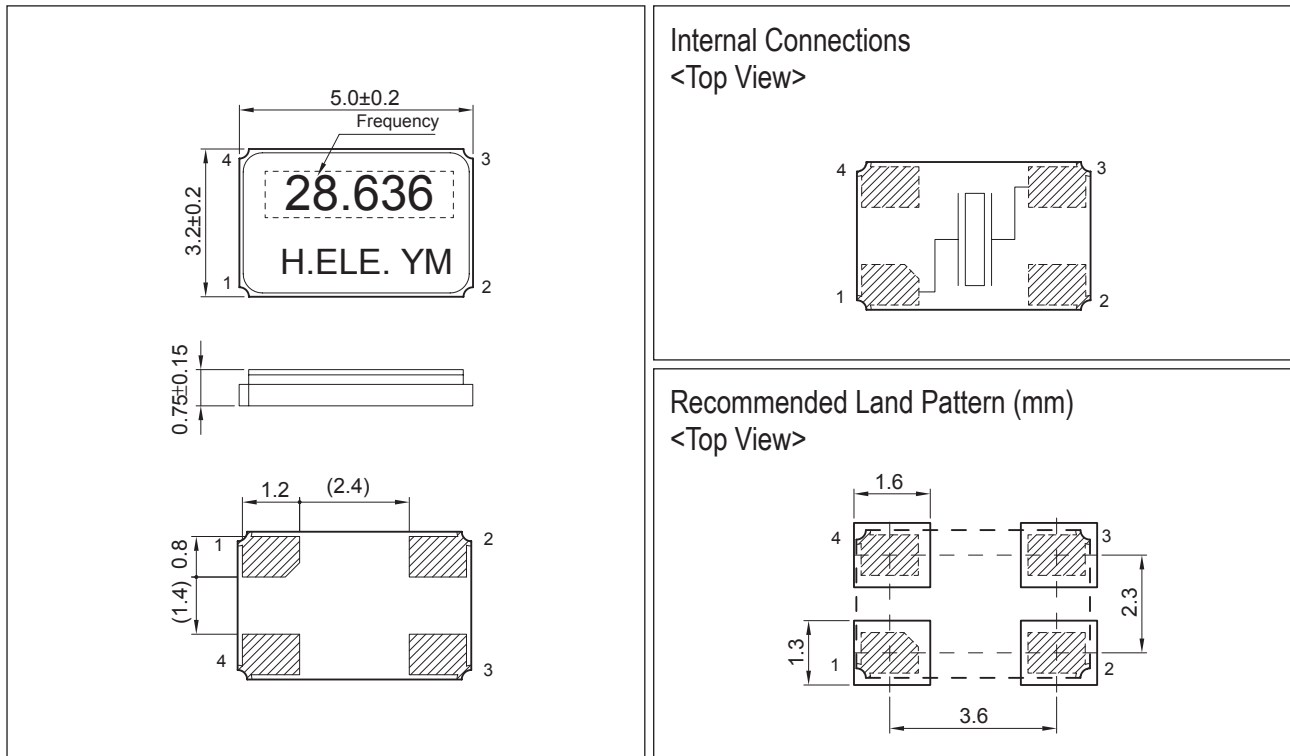
### HSX531S Series



#### Features:

- High precision and reliability with excellent heat resistance.
- Suitable for various applications.
- Ideal solution for networking design less sensitive to space constraints and purchasing strategies looking to switch to a more mainstream industry package size.

#### Dimension (mm):



#### Standard Specification:

| ITEM   | TYPE | HSX531S                                  |             |              |             |
|--|------|--|-------------|--------------|-------------|
|  |      | 8 ~ 10 MHz                               | 10 ~ 12 MHz | 12 ~ 40 MHz  | 40 ~ 80 MHz |
| Frequency Range                                      |      | 8 ~ 10 MHz                               | 10 ~ 12 MHz | 12 ~ 40 MHz  | 40 ~ 80 MHz |
| Mode   |      | Fundamental                              |             | 3rd Overtone |             |
| Frequency Tolerance                                  |      | ±10ppm, ±20ppm, or Specify               |             |              |             |
| Frequency Stability over Operating Temperature Range |      | ±10ppm, ±15ppm, ±20ppm, or Specify       |             |              |             |
| Operating Temperature                                |      | -10 ~ +60 °C , or Specify                |             |              |             |
| Load Capacitance                                     |      | Series, 8pF, 10pF, 12pF, 16pF or Specify |             |              |             |
| Drive Level  |      | 10µW (300µW Max.)                        |             |              |             |
| Equivalent Series Resistance                         |      | 150Ω Max.                                | 80Ω Max.    | 50Ω Max.     | 70Ω Max.    |
| Storage Temp. Range                                  |      | -40 ~ +125°C                             |             |              |             |

\*Packing Unit: 1,000pcs/Reel.