



# CRYSTAL UNIT

## GX-70502, GX-70504

### Applications

- Cordless Telephones / Facsimile / Computer Clocks

### Features

- Dimensions (7.0×5.0×1.4)
- Ceramic SMD Package
- Glass Sealed
- Tight Tolerance and Stability
- Reflow Soldering / Emboss Taping
- Compliant products with AEC-Q200

### Specifications



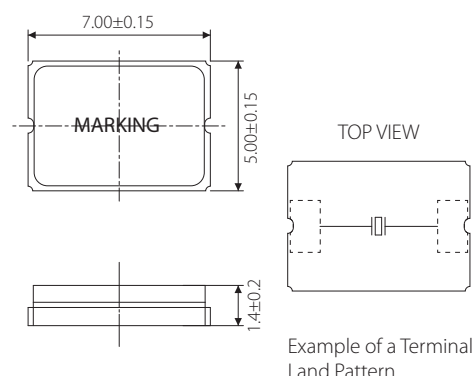
Model	GX-70502, GX-70504	
Nominal frequency range	6.000~54.000 MHz	30.000~70.000 MHz
Crystal cut	Fundamental [AT-cut]	3rd overtone [AT-cut]
Storage temperature range	-40~+90°C; -40~+125°C (For AEC-Q200)	
Operating temperature range	-10~+70°C, -40~+85°C	
Frequency temperature characteristics (Ref. to +25°C)	±30×10 <sup>-6</sup> (-10~+70°C), ±50×10 <sup>-6</sup> , ±100×10 <sup>-6</sup>	
Frequency tolerance (at +25°C)	±30×10 <sup>-6</sup> , ±50×10 <sup>-6</sup>	
Equivalent series resistance	100Ω: 6.000~6.999 MHz 80Ω: 7.000~9.999 MHz 60Ω: 10.000~15.999 MHz 50Ω: 16.000~54.000 MHz	80Ω: 30.000~44.999 MHz 70Ω: 50.000~59.999 MHz 60Ω: 60.000~70.000 MHz
Load capacitance	series, 10pF, 12pF, 16pF, 18pF, 20pF	
Shunt capacitance	5pF max.	
Level of drive	10 μW (100 μW max.)	

Package quantity: 1,000pcs max./Reel.

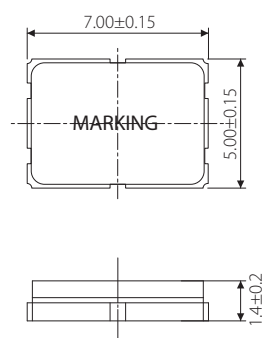
The product is suitable for Car multimedia, Car accessory application.

### Outline and Dimensions [unit:mm]

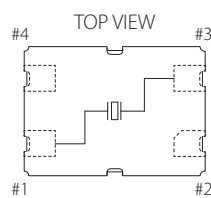
#### GX-70502



#### GX-70504



Maximum marking length		Marking
line1	line2	
7	7	Laser
ex.)		16. 0GA SIWARD



• #1,#3 : Crystal terminal / #2,#4 : NC

Example of a Terminal Land Pattern

