

CRYSTAL UNIT

SX-5032

Applications

- Cellular / PHS / Cordless Telephones / Pagers

Features

- Ultra thin / Dimensions (5.0×3.2×0.7)
- Ceramic SMD Package
- Vacuum Seam Sealed
- Tight Tolerance and Stability
- Reflow Soldering / Emboss Taping
- Compliant products with AEC-Q200

Specifications

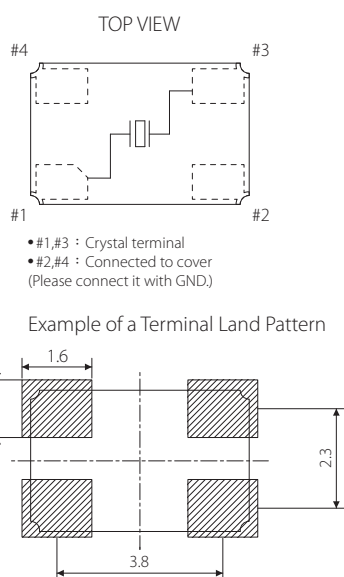
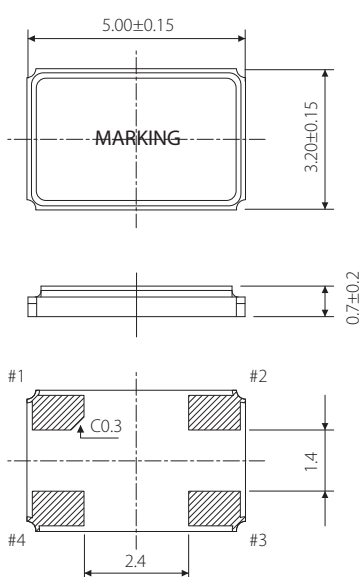


Model	SX-5032			
Nominal frequency range	8.000~54.000 MHz		40.000~100.000 MHz	
Crystal cut	Fundamental [AT-cut]		3rd overtone [AT-cut]	
Storage temperature range	-40~+90°C; -40~+125°C (For AEC-Q200)			
Operating temperature range	-10~+60°C	-30~+80°C	-10~+60°C	-30~+80°C
Frequency temperature characteristics (Ref. to +25°C)	± 10 × 10 ⁻⁶	± 15 × 10 ⁻⁶	± 10 × 10 ⁻⁶	± 15 × 10 ⁻⁶
Frequency tolerance (at +25°C)	± 10 × 10 ⁻⁶			
Equivalent series resistance	60 Ω: 8.000~10.999 MHz 50 Ω: 11.000~11.999 MHz 40 Ω: 12.000~24.999 MHz 30 Ω: 25.000~54.000 MHz		120 Ω: 40.000~59.999 MHz 80 Ω: 60.000~100.000 MHz	
Load capacitance	series, 10pF, 12pF, 16pF			
Shunt capacitance	5pF max.			
Level of drive	10 μW (100 μW max.)			

Package quantity: 1,000pcs max./Reel.

The product is suitable for Car multimedia, Car accessory application.

Outline and Dimensions [unit:mm]



- #1,#3 : Crystal terminal
- #2,#4 : Connected to cover (Please connect it with GND.)

Maximum marking length		Marking
line1	line2	
7	7	Laser
ex.)		16. 0GA SIWARD