

PLEASE CHECK WWW.MOLEX.COM FOR LATEST PART INFORMATION

Part Number: [0395372006](#)
Status: **Active**
Description: 5.08mm (.200") Pitch Eurostyle™ Vertical Plug, with Retention Screws, Rear Wire Entry, 6 Circuits

Documents:

[Drawing \(PDF\)](#) [RoHS Certificate of Compliance \(PDF\)](#)

General

| | |
|-----------------------------|---------------------------|
| Product Family | Terminal Blocks |
| Series | 39537 |
| Application | Wire-to-Board |
| Comments | Rear Wire Entry |
| Component Type | Plug |
| Product Literature Order No | USA-355 |
| Product Name | ESE, Eurostyle™ Pluggable |
| Type | Euro Block |

Physical

| | |
|-------------------------------|--------------------------------|
| Circuits (Loaded) | 6 |
| Entry Angle | Horizontal |
| Lock to Mating Part | Yes |
| Number of Rows | 1 |
| Orientation | Vertical |
| PC Tail Length (in) | 0.200 In |
| PC Tail Length (mm) | 5.08 mm |
| Panel Mount | No |
| Pitch - Mating Interface (in) | 0.200 In |
| Pitch - Mating Interface (mm) | 5.08 mm |
| Polarized to Mating Part | Yes |
| Stackable | No |
| Temperature Range - Operating | -40°C to +105°C |
| Wire Size AWG | 12, 14, 16, 18, 20, 22, 24, 26 |
| Wire Size mm² | 0.13 - 3.31 |

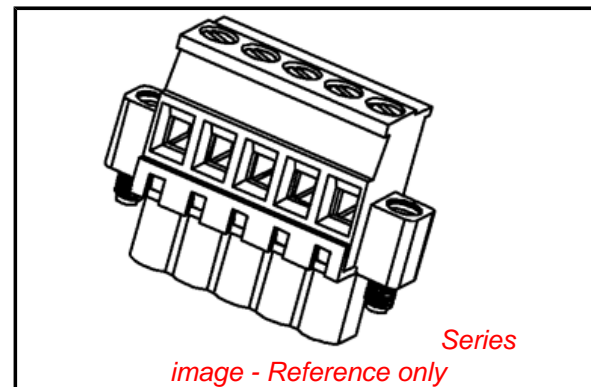
Electrical

| | |
|-------------------------------|------|
| Current - Maximum per Contact | 10A |
| Voltage - Maximum | 300V |

Material Info

Reference - Drawing Numbers

| | |
|---------------|--------------|
| Sales Drawing | SD-39537-002 |
|---------------|--------------|



EU RoHS

ELV and RoHS Compliant
REACH SVHC
 Not Reviewed
Halogen-Free Status
 Not Reviewed

China RoHS



Need more information on product environmental compliance?

Email productcompliance@molex.com
 For a multiple part number RoHS Certificate of Compliance, [click here](#)

Please visit the [Contact Us](#) section for any non-product compliance questions.

Search Parts in this Series

[39537Series](#)

Mates With

Most 5.08mm (.200") Pitch Industry Standard PCB Headers, [39535](#) Vertical PCB Header with Threaded Retention Inserts, [39536](#) Horizontal PCB Header with Threaded Retention Inserts

10 9 8 7 6 5 4 3 2 1

F

E

D

C

B

A

F

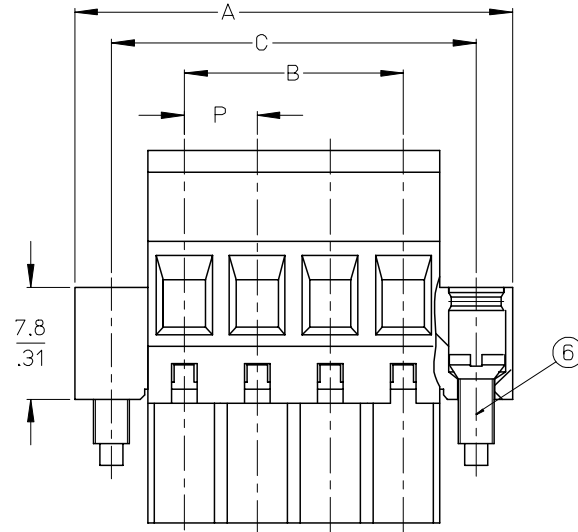
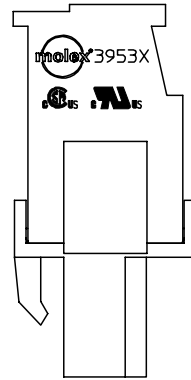
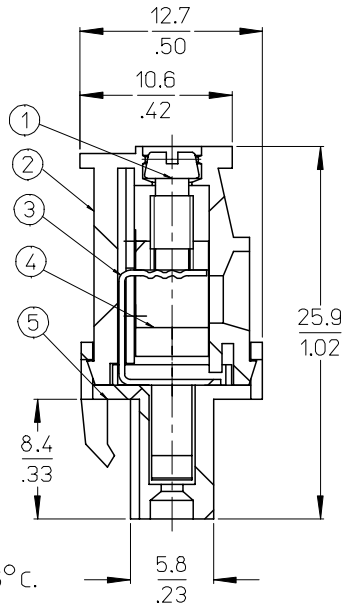
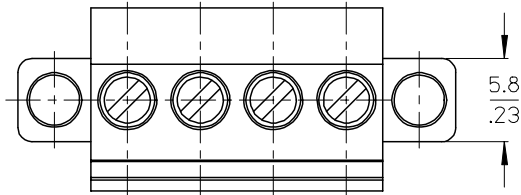
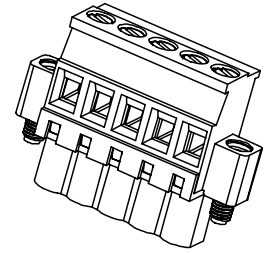
E

D

C

B

A



SPECIFICATIONS

1. Material:

- (1). Screw: Steel
- (2). Body: PA66
- (3). Terminal: Phosphor Bronze
- (4). Cage: Brass
- (5). Cover: PA66
- (6). Screw: Steel

- 2. Wire range: 12 - 26AWG
- 3. Electrical rating: 300V, 10A.
- 4. Wire stip length: 5.0mm.
- 5. Operating temperature: -40°C to +105°C.
- 6. Max torque: 3 in.-lbs.
- 7. Insulation resistance: DC 500V, 500 Megohms.
- 8. Dielectric withstand: AC 2500V for 1 minute
- 9. Breakdown voltage: 4000V
- 10. Contact resistance: <10 milliohms
- 11. DIM. A = (N + 2)X P
- 12. DIM. B = (N - 1)X P
- 13. DIM. C = (N + 1)X P
- 14. DIM. P (PITCH) = 5.08mm (.200")
- 15. N = Number of positions available 2 through 24.
- 16. ALL COMPONENTS ARE ROHS COMPLIANT.

| | | | | | | | | | |
|---|--|---------------------------------------|-----------------------|--|--------------------|--|----------------------|------------------------|--|
| RELEASE TO PROD EC NO: ETC2006-0308 DRWN: C YORK 2006/03/23 CHKD: R DEROSS 2006/03/24 APPR: R DEROSS 2006/03/24 | DESCRIPTION QUALITY SYMBOLS ▽=0 ▽=0 | GENERAL TOLERANCES (UNLESS SPECIFIED) | | DIMENSION STYLE MM/IN | | SCALE 3:1 | DESIGN UNITS INCH | THIRD ANGLE PROJECTION | |
| | | 4 PLACES ± --- ±.0015 | 3 PLACES ±0.038 ±.005 | DRAWN BY C. YORK | DATE 2006/03/16 | TITLE 5.08MM, EURO PLUG, VERTICAL FRONT WIRE ENTRY WITH MOUNTING ENDS | | | |
| | | 2 PLACES ±0.13 ±.01 | 1 PLACE ±0.3 ± --- | CHECKED BY R. DEROSS | DATE 2006/03/16 | APPROVED BY R. DEROSS | | | |
| | | ANGULAR ± 2 ° | | MATERIAL NO. SEE SHT. 2 | | DOCUMENT NO. SD-39537-002 | | SHEET NO. 1 OF 2 | |
| DRAFT WHERE APPLICABLE MUST REMAIN WITHIN DIMENSIONS | | | | THIS DRAWING CONTAINS INFORMATION THAT IS PROPRIETARY TO MOLEX INCORPORATED AND SHOULD NOT BE USED WITHOUT WRITTEN PERMISSION | | | | | |

9 8 7 6 5 4 3 2 1

| Description | Circuit size | Material Numbers | | | | | | | | | | | | Dimensional Information | | | | | |
|--|--------------|------------------|-----------|-----------|------------------|-----------|-----------|------------------|-----------|-----------|------------------|-----------|-----------|-------------------------|------|-------|------|-------|------|
| | | Black | | | | | | Green | | | | | | Dim A | | Dim B | | Dim C | |
| | | 100% Tin | | | 30 u" Gold | | | 100% Tin | | | 30 u" Gold | | | mm | inch | mm | inch | mm | inch |
| | | Printing Options | | 11AV | Printing Options | | 11AV | Printing Options | | 11AV | Printing Options | | 11AV | | | | | | |
| 5.08mm, Euro Plug, Vertical FWE, Mounting Ends | 2 | 395372002 | 395372302 | 395372402 | 395372502 | 395372802 | 395372902 | 395377002 | 395377302 | 395377402 | 395377502 | 395377802 | 395377902 | 20.3 | 0.80 | 5.1 | 0.20 | 15.2 | 0.60 |
| 5.08mm, Euro Plug, Vertical FWE, Mounting Ends | 3 | 395372003 | 395372303 | 395372403 | 395372503 | 395372803 | 395372903 | 395377003 | 395377303 | 395377403 | 395377503 | 395377803 | 395377903 | 25.4 | 1.00 | 10.2 | 0.40 | 20.3 | 0.80 |
| 5.08mm, Euro Plug, Vertical FWE, Mounting Ends | 4 | 395372004 | 395372304 | 395372404 | 395372504 | 395372804 | 395372904 | 395377004 | 395377304 | 395377404 | 395377504 | 395377804 | 395377904 | 30.5 | 1.20 | 15.2 | 0.60 | 25.4 | 1.00 |
| 5.08mm, Euro Plug, Vertical FWE, Mounting Ends | 5 | 395372005 | 395372305 | 395372405 | 395372505 | 395372805 | 395372905 | 395377005 | 395377305 | 395377405 | 395377505 | 395377805 | 395377905 | 35.6 | 1.40 | 20.3 | 0.80 | 30.5 | 1.20 |
| 5.08mm, Euro Plug, Vertical FWE, Mounting Ends | 6 | 395372006 | 395372306 | 395372406 | 395372506 | 395372806 | 395372906 | 395377006 | 395377306 | 395377406 | 395377506 | 395377806 | 395377906 | 40.6 | 1.60 | 25.4 | 1.00 | 35.6 | 1.40 |
| 5.08mm, Euro Plug, Vertical FWE, Mounting Ends | 7 | 395372007 | 395372307 | 395372407 | 395372507 | 395372807 | 395372907 | 395377007 | 395377307 | 395377407 | 395377507 | 395377807 | 395377907 | 45.7 | 1.80 | 30.5 | 1.20 | 40.6 | 1.60 |
| 5.08mm, Euro Plug, Vertical FWE, Mounting Ends | 8 | 395372008 | 395372308 | 395372408 | 395372508 | 395372808 | 395372908 | 395377008 | 395377308 | 395377408 | 395377508 | 395377808 | 395377908 | 50.8 | 2.00 | 35.6 | 1.40 | 45.7 | 1.80 |
| 5.08mm, Euro Plug, Vertical FWE, Mounting Ends | 9 | 395372009 | 395372309 | 395372409 | 395372509 | 395372809 | 395372909 | 395377009 | 395377309 | 395377409 | 395377509 | 395377809 | 395377909 | 55.9 | 2.20 | 40.6 | 1.60 | 50.8 | 2.00 |
| 5.08mm, Euro Plug, Vertical FWE, Mounting Ends | 10 | 395372010 | 395372310 | 395372410 | 395372510 | 395372810 | 395372910 | 395377010 | 395377310 | 395377410 | 395377510 | 395377810 | 395377910 | 61.0 | 2.40 | 45.7 | 1.80 | 55.9 | 2.20 |
| 5.08mm, Euro Plug, Vertical FWE, Mounting Ends | 11 | 395372011 | 395372311 | 395372411 | 395372511 | 395372811 | 395372911 | 395377011 | 395377311 | 395377411 | 395377511 | 395377811 | 395377911 | 66.0 | 2.60 | 50.8 | 2.00 | 61.0 | 2.40 |
| 5.08mm, Euro Plug, Vertical FWE, Mounting Ends | 12 | 395372012 | 395372312 | 395372412 | 395372512 | 395372812 | 395372912 | 395377012 | 395377312 | 395377412 | 395377512 | 395377812 | 395377912 | 71.1 | 2.80 | 55.9 | 2.20 | 66.0 | 2.60 |
| 5.08mm, Euro Plug, Vertical FWE, Mounting Ends | 13 | 395372013 | 395372313 | 395372413 | 395372513 | 395372813 | 395372913 | 395377013 | 395377313 | 395377413 | 395377513 | 395377813 | 395377913 | 76.2 | 3.00 | 61.0 | 2.40 | 71.1 | 2.80 |
| 5.08mm, Euro Plug, Vertical FWE, Mounting Ends | 14 | 395372014 | 395372314 | 395372414 | 395372514 | 395372814 | 395372914 | 395377014 | 395377314 | 395377414 | 395377514 | 395377814 | 395377914 | 81.3 | 3.20 | 66.0 | 2.60 | 76.2 | 3.00 |
| 5.08mm, Euro Plug, Vertical FWE, Mounting Ends | 15 | 395372015 | 395372315 | 395372415 | 395372515 | 395372815 | 395372915 | 395377015 | 395377315 | 395377415 | 395377515 | 395377815 | 395377915 | 86.4 | 3.40 | 71.1 | 2.80 | 81.3 | 3.20 |
| 5.08mm, Euro Plug, Vertical FWE, Mounting Ends | 16 | 395372016 | 395372316 | 395372416 | 395372516 | 395372816 | 395372916 | 395377016 | 395377316 | 395377416 | 395377516 | 395377816 | 395377916 | 91.4 | 3.60 | 76.2 | 3.00 | 86.4 | 3.40 |
| 5.08mm, Euro Plug, Vertical FWE, Mounting Ends | 17 | 395372017 | 395372317 | 395372417 | 395372517 | 395372817 | 395372917 | 395377017 | 395377317 | 395377417 | 395377517 | 395377817 | 395377917 | 96.5 | 3.80 | 81.3 | 3.20 | 91.4 | 3.60 |
| 5.08mm, Euro Plug, Vertical FWE, Mounting Ends | 18 | 395372018 | 395372318 | 395372418 | 395372518 | 395372818 | 395372918 | 395377018 | 395377318 | 395377418 | 395377518 | 395377818 | 395377918 | 101.6 | 4.00 | 86.4 | 3.40 | 96.5 | 3.80 |
| 5.08mm, Euro Plug, Vertical FWE, Mounting Ends | 19 | 395372019 | 395372319 | 395372419 | 395372519 | 395372819 | 395372919 | 395377019 | 395377319 | 395377419 | 395377519 | 395377819 | 395377919 | 106.7 | 4.20 | 91.4 | 3.60 | 101.6 | 4.00 |
| 5.08mm, Euro Plug, Vertical FWE, Mounting Ends | 20 | 395372020 | 395372320 | 395372420 | 395372520 | 395372820 | 395372920 | 395377020 | 395377320 | 395377420 | 395377520 | 395377820 | 395377920 | 111.8 | 4.40 | 96.5 | 3.80 | 106.7 | 4.20 |
| 5.08mm, Euro Plug, Vertical FWE, Mounting Ends | 21 | 395372021 | 395372321 | 395372421 | 395372521 | 395372821 | 395372921 | 395377021 | 395377321 | 395377421 | 395377521 | 395377821 | 395377921 | 116.8 | 4.60 | 101.6 | 4.00 | 111.8 | 4.40 |
| 5.08mm, Euro Plug, Vertical FWE, Mounting Ends | 22 | 395372022 | 395372322 | 395372422 | 395372522 | 395372822 | 395372922 | 395377022 | 395377322 | 395377422 | 395377522 | 395377822 | 395377922 | 121.9 | 4.80 | 106.7 | 4.20 | 116.8 | 4.60 |
| 5.08mm, Euro Plug, Vertical FWE, Mounting Ends | 23 | 395372023 | 395372323 | 395372423 | 395372523 | 395372823 | 395372923 | 395377023 | 395377323 | 395377423 | 395377523 | 395377823 | 395377923 | 127.0 | 5.00 | 111.8 | 4.40 | 121.9 | 4.80 |
| 5.08mm, Euro Plug, Vertical FWE, Mounting Ends | 24 | 395372024 | 395372324 | 395372424 | 395372524 | 395372824 | 395372924 | 395377024 | 395377324 | 395377424 | 395377524 | 395377824 | 395377924 | 132.1 | 5.20 | 116.8 | 4.60 | 127.0 | 5.00 |

| | | | | |
|--|---|--|---|--|
| SEE SHEET 1 EC NO: ETC2006-0308 DRWN: C. YORK 2006/03/16 CHKD: R. DEROSS 2006/03/16 APPR: R. DEROSS 2006/03/16 | QUALITY SYMBOLS ▽=0 ▽=0 | GENERAL TOLERANCES (UNLESS SPECIFIED) mm INCH 4 PLACES ± --- ±.0015 3 PLACES ±0.038 ±.005 2 PLACES ±0.13 ±.01 1 PLACE ±0.3 ± --- ANGULAR ± 2 ° | DIMENSION STYLE MM/IN DRAWN BY C. YORK DATE 2006/03/16 CHECKED BY R. DEROSS DATE 2006/03/16 APPROVED BY R. DEROSS DATE 2006/03/16 | SCALE 3:1 DESIGN UNITS INCH THIRD ANGLE PROJECTION |
| | DRAFT WHERE APPLICABLE MUST REMAIN WITHIN DIMENSIONS | MATERIAL NO. SEE CHART SIZE B THIS DRAWING CONTAINS INFORMATION THAT IS PROPRIETARY TO MOLEX INCORPORATED AND SHOULD NOT BE USED WITHOUT WRITTEN PERMISSION | TITLE 5.08MM, EURO PLUG, VERTICAL FRONT WIRE ENTRY WITH MOUNTING ENDS MOLEX MOLEX INCORPORATED | SHEET NO. 2 OF 2 |
| | DOCUMENT NO. SD-39537-002 | | | |
| | | | | |