

PLEASE CHECK WWW.MOLEX.COM FOR LATEST PART INFORMATION

Part Number: [0430451808](#)

Status: **Active**

Overview: [microfit_30](#)

Description: 3.00mm (.118") Pitch Micro-Fit 3.0™ Header, Surface Mount, Dual Row, Right Angle, with Press-fit Metal Retention Clip, 18 Circuits, 0.76µm (30µ") Gold (Au) Selective Plating, Glow Wire Compatible

Documents:

[3D Model](#)

[Product Specification PS-43045 \(PDF\)](#)

[Drawing \(PDF\)](#)

[RoHS Certificate of Compliance \(PDF\)](#)

Agency Certification

| | |
|-----|-----------|
| CSA | LR19980 |
| TUV | R72081037 |
| UL | E29179 |

General

| | |
|-----------------------------|--|
| Product Family | PCB Headers |
| Series | 43045 |
| Application | Wire-to-Board |
| Comments | Glow Wire Equivalent Part Number 430451808 . High Temperature, Square Pin, Solder Type |
| Overview | microfit_30 |
| Product Literature Order No | USA-106 |
| Product Name | Micro-Fit 3.0™ |

Physical

| | |
|--------------------------------|--------------------------------|
| Breakaway | No |
| Circuits (Loaded) | 18 |
| Circuits (maximum) | 18 |
| Color - Resin | Black |
| Durability (mating cycles max) | 30 |
| Flammability | 94V-0 |
| Glow-Wire Compliant | Yes |
| Mated Height (in) | 0.405 In |
| Mated Height (mm) | 10.29 mm |
| Material - Metal | Brass |
| Material - Plating Mating | Gold |
| Material - Plating Termination | Tin |
| Material - Resin | High Temperature Thermoplastic |
| Number of Rows | 2 |
| Orientation | Right Angle |
| PCB Locator | Yes |
| PCB Retention | Yes |
| PCB Thickness Recommended (in) | 0.062 In |
| PCB Thickness Recommended (mm) | 1.60 mm |
| Packaging Type | Embossed Tape on Reel |
| Pitch - Mating Interface (in) | 0.118 In |
| Pitch - Mating Interface (mm) | 3.00 mm |
| Plating min: Mating (µin) | 30 |
| Plating min: Mating (µm) | 0.76 |
| Plating min: Termination (µin) | 100 |
| Plating min: Termination (µm) | 2.50 |
| Polarized to PCB | Yes |
| Shrouded | Fully |
| Stackable | No |

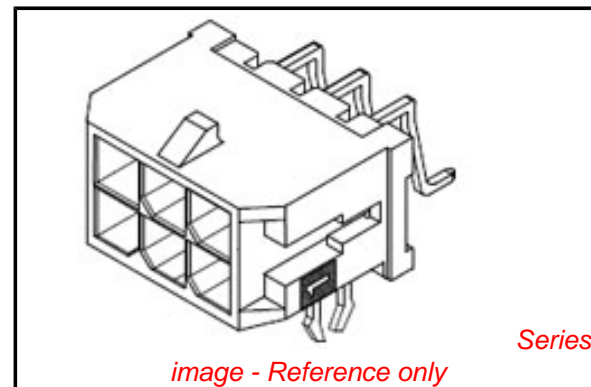


image - Reference only

EU RoHS

ELV and RoHS Compliant

REACH SVHC

Contains SVHC: No

Halogen-Free

Status

Halogen-Free

China RoHS



Need more information on product environmental compliance?

Email productcompliance@molex.com
For a multiple part number RoHS Certificate of Compliance, [click here](#)

Please visit the [Contact Us](#) section for any non-product compliance questions.

Search Parts in this Series

[43045Series](#)

Mates With

[43025](#)

| | |
|--------------------------------|-----------------|
| Surface Mount Compatible (SMC) | N/A |
| Temperature Range - Operating | -40°C to +105°C |
| Termination Interface: Style | Surface Mount |

Electrical

| | |
|-------------------------------|------|
| Current - Maximum per Contact | 5A |
| Voltage - Maximum | 250V |

Solder Process Data

| | |
|--|---------------------------|
| Duration at Max. Process Temperature (seconds) | 30 |
| Lead-free Process Capability | Reflow Capable (SMT only) |
| Max. Cycles at Max. Process Temperature | 3 |
| Process Temperature max. C | 260 |

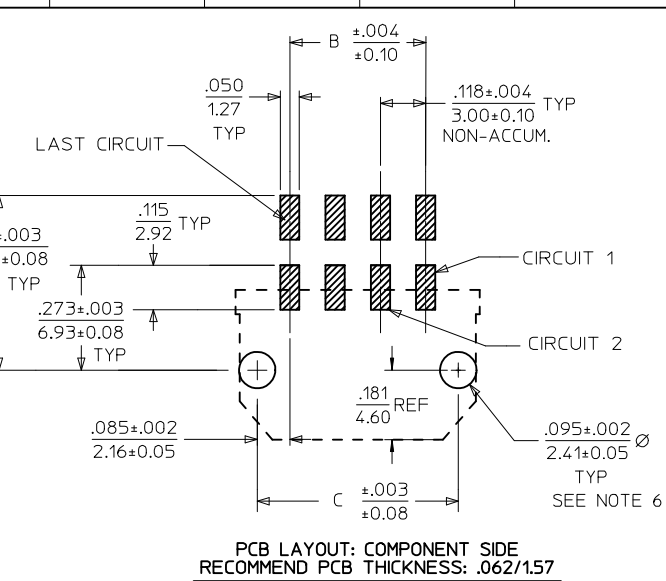
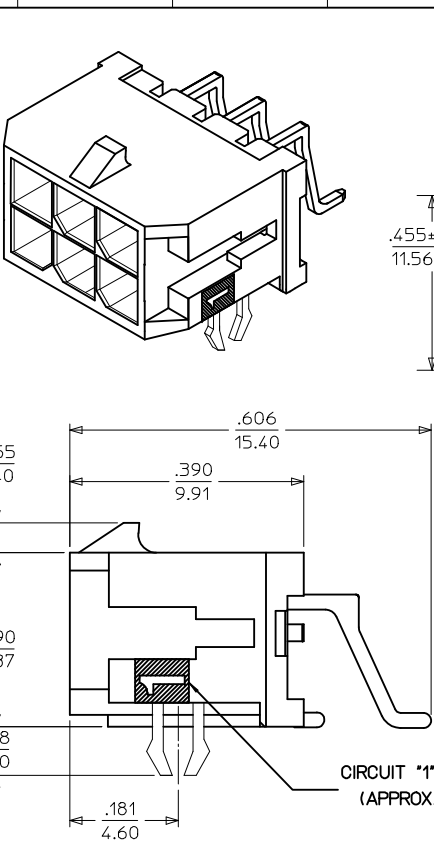
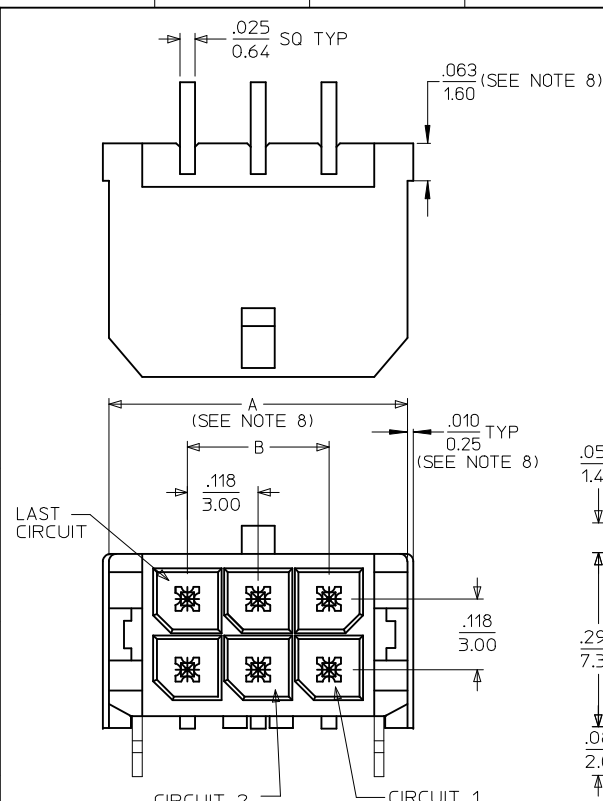
Material Info

Reference - Drawing Numbers

| | |
|-------------------------|--|
| Packaging Specification | PK-70873-05** |
| Product Specification | PS-43045, RPS-43045-003, RPS-43045-004 |
| Sales Drawing | SD-43045-003 |
| Test Summary | TS-43045-001, TS-43045-002 |

This document was generated on 05/24/2010

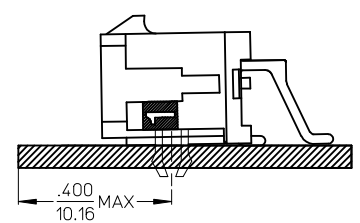
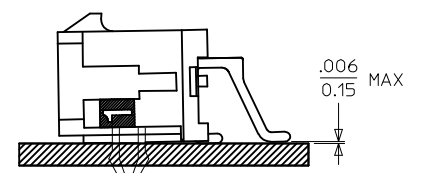
PLEASE CHECK WWW.MOLEX.COM FOR LATEST PART INFORMATION



| CKTS | A (SEE NOTE 8) | | |
|------|----------------|-------|----------------|
| | B | C | |
| 02 | .262 6.65 | NA | .169 4.30 |
| 04 | .380 9.65 | 3.00 | .287 7.30 |
| 06 | .498 12.65 | 6.00 | .405 10.30 |
| 08 | .616 15.65 | 9.00 | .524 13.30 |
| 10 | .734 18.65 | 12.00 | .642 16.30 |
| 12 | .852 21.65 | 15.00 | .760 19.30 |
| 14 | .970 24.65 | 18.00 | .878 22.30 |
| 16 | 1.088 27.65 | 21.00 | .996 25.30 |
| 18 | 1.206 30.65 | 24.00 | 1.114 28.30 |
| 20 | 1.325 33.65 | 27.00 | 1.232 31.30 |
| 22 | 1.443 36.65 | 30.00 | 1.350 34.30 |
| 24 | 1.561 39.65 | 33.00 | 1.469 37.30 |

- NOTES:**
- HOUSING MATERIAL: GLASS FILLED LIQUID CRYSTAL POLYMER, UL94V-0, COLOR: BLACK
TERMINAL MATERIAL: BRASS ALLOY
 - FINISH: A = .000100/(0.00254) MIN. TIN OVER
.000050/(0.00127) MIN. NICKEL PLATE.
B = .000015/(0.00038) MIN. SELECT GOLD IN CONTACT AREA,
.000100/(0.00254) MIN. SELECT MATTE TIN ON SOLDER TAILS,
BOTH OVER .000050/(0.00127) MIN. NICKEL PLATE.
C = .000030/(0.00076) MIN. SELECT GOLD IN CONTACT AREA,
.000100/(0.00254) MIN. SELECT MATTE TIN ON SOLDER TAILS,
BOTH OVER .000050/(0.00127) MIN. NICKEL PLATE.
* THE PRIMARY SHIPPING CARTON WILL BE LABELED 'COMPLIANT TO RoHS DIRECTIVE 2002/95/EC AND ELV ANNEX II OF DIRECTIVE 2000/53/EC.' CARTONS WITHOUT THIS LABEL MAY CONTAIN PRODUCT WITH TIN/LEAD IN THE PC TAIL AREA.
 - PRODUCT SPECIFICATION: PS-43045
 - TAPE AND REEL PACK: SEE MOLEX DRAWING PK-70873-05**
 - MATES WITH MICRO FIT (3.0) RECEPTACLE SERIES 43025
 - TO MINIMIZE INSERTION FORCE OF MOUNTING CLIPS DURING ROBOTIC PLACEMENT THE HOLE DIAMETER SHOULD BE INCREASED TO .108±.002 / 2.74±0.05 AND THEN EVALUATED PER PLACEMENT EQUIPMENT.
 - THE COPLANARITY DIMENSION IS ESTABLISHED BY PLACING THE ASSEMBLY ON A FLAT SURFACE. THE DISTANCE FROM THAT SURFACE TO THE BOTTOM OF ANY TERMINAL MUST NOT EXCEED .006/0.15
 - .010/0.25 OFFSETS ARE PRESENT ON ALL PARTS MANUFACTURED AFTER 11/1/2007, AND ON PARTS PRIOR TO 11/1/2007 THAT CONTAIN A GREEN DOT ON THE PRIMARY SHIPPING CARTON LABEL.
 - TO AVOID INTERFERENCE BETWEEN RECEPTACLE AND PCB, HEADER MUST BE PLACED WITHIN .400/(10.16) MAX. FROM EDGE OF PCB, AS SHOWN IN LOCATION DETAIL.
 - THIS PART CONFORMS TO CLASS B REQUIREMENTS OF COSMETIC SPECIFICATION PS-45499-002.

| | FINISH A | FINISH B | FINISH C |
|------|--------------|--------------|--------------|
| CKTS | MATERIAL NO: | MATERIAL NO: | MATERIAL NO: |
| 02 | 43045-0206 | 43045-0207 | 43045-0208 |
| 04 | 43045-0406 | 43045-0407 | 43045-0408 |
| 06 | 43045-0606 | 43045-0607 | 43045-0608 |
| 08 | 43045-0806 | 43045-0807 | 43045-0808 |
| 10 | 43045-1006 | 43045-1007 | 43045-1008 |
| 12 | 43045-1206 | 43045-1207 | 43045-1208 |
| 14 | 43045-1406 | 43045-1407 | 43045-1408 |
| 16 | 43045-1606 | 43045-1607 | 43045-1608 |
| 18 | 43045-1806 | 43045-1807 | 43045-1808 |
| 20 | 43045-2006 | 43045-2007 | 43045-2008 |
| 22 | 43045-2206 | 43045-2207 | 43045-2208 |
| 24 | 43045-2406 | 43045-2407 | 43045-2408 |



| HOUSING FOOTPRINT EC NO: UCP2009-0781 DRAWINGVERILL 2008/09/30 CHKD:SSOUSEK 2008/10/03 APPR:FSMLTH 2008/10/03 F2 | QUALITY SYMBOLS ▽=0 ▽=0 | GENERAL TOLERANCES (UNLESS SPECIFIED) <table border="1"> <tr> <th></th> <th>mm</th> <th>INCH</th> </tr> <tr> <td>4 PLACES ±</td> <td>---</td> <td>---</td> </tr> <tr> <td>3 PLACES ±</td> <td>---</td> <td>±.010</td> </tr> <tr> <td>2 PLACES ±</td> <td>0.25</td> <td>±.014</td> </tr> <tr> <td>1 PLACE ±</td> <td>0.36</td> <td>±---</td> </tr> </table> ANGULAR ±1/2° | | mm | INCH | 4 PLACES ± | --- | --- | 3 PLACES ± | --- | ±.010 | 2 PLACES ± | 0.25 | ±.014 | 1 PLACE ± | 0.36 | ±--- | DIMENSION STYLE IN/MM DRAWN BY DATE SAMIEC 2000/03/15 CHECKED BY DATE MUELLER 2000/03/15 APPROVED BY DATE EDGLEY 2000/03/15 | SCALE --- DESIGN UNITS METRIC THIRD ANGLE PROJECTION | TITLE MICRO FIT (3.0) DUAL ROW RIGHT ANGLE SMT HEADER W/CLIPS ASS'Y MOLEX INCORPORATED DOCUMENT NO. SD-43045-003 SHEET NO. 1 OF 1 |
|---|-------------------------------|---|---|----|------|------------|-----|-----|------------|-----|-------|------------|------|-------|-----------|------|------|--|--|---|
| | | mm | INCH | | | | | | | | | | | | | | | | | |
| | 4 PLACES ± | --- | --- | | | | | | | | | | | | | | | | | |
| | 3 PLACES ± | --- | ±.010 | | | | | | | | | | | | | | | | | |
| 2 PLACES ± | 0.25 | ±.014 | | | | | | | | | | | | | | | | | | |
| 1 PLACE ± | 0.36 | ±--- | | | | | | | | | | | | | | | | | | |
| DRAFT WHERE APPLICABLE MUST REMAIN WITHIN DIMENSIONS | | MATERIAL NO. SEE CHART | THIS DRAWING CONTAINS INFORMATION THAT IS PROPRIETARY TO MOLEX INCORPORATED AND SHOULD NOT BE USED WITHOUT WRITTEN PERMISSION | | | | | | | | | | | | | | | | | |