

Subminiature Fuse, 8.5 mm, Time-Lag T, 250 VAC, cULus



UL 248-14 · 250VAC · Time-Lag T



### Description

- Directly solderable on printed circuit boards
- Low Breaking Capacity

### Standards

- UL 248-14
- CSA C22.2 no. 248.14

### Approvals

- UL File Number: E41599


### References

- [General Product Information](#)
- [Packaging Details](#)
- Corresponding Fuseholder [FMS \(250V\)](#)

### Weblinks

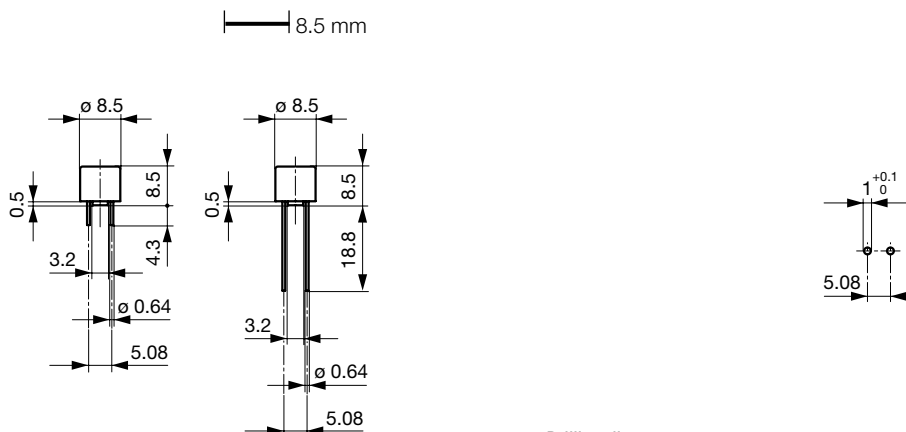
- [Approvals, RoHS, CHINA-RoHS, e-Store, Distributor-Stock-Check, Accessories, Product Change Notification \(PCN\)](#)

### Technical Data

Rated Voltage	250 VAC
Rated Current	0.063 - 10 A
Breaking Capacity	50 A
Characteristic	Time-Lag T
Mounting	PCB, THT
Admissible Ambient Air Temp.	-55 °C to 125 °C
Climatic Category	55/125/21 acc. to IEC 60068-1
Material: Housing	Thermoplastic, UL 94V-0
Material: Terminals	Tin-Plated Copper
Unit Weight	0.53 g
Storage Conditions	0 °C to 60 °C, max. 70% r.h.
Product Marking	 Type, Current, Voltage, Characteristic, Approvals

Soldering Methods	Wave, Iron
Solderability	235 °C / 2 sec acc. to IEC 60068-2-20, Test Ta, method 1
Resistance to Soldering Heat	260 °C / 5 sec acc. to IEC 60068-2-20, Test Tb, method 1A
Current Carrying Capacity	acc. to EIA/IS-722, Test 4.3.3
Moisture Resistance Test	MIL-STD-202, Method 106E (50 cycles in a temp./mister chamber)
Terminal Strength	MIL-STD-202, Method 211A (Deflection of board 1 mm for 1 minute)
Case Resistance	acc. to EIA/IS-722, Test 4.7 >100 MΩ (between leads and body)
Mechanical Shock	MIL-STD-202, Method 213B (Shock 50gn, half sine wave, 11 ms)
Vibration, High Frequency	MIL-STD-202, Method 204D (Shock 20 gn, 20 min, 10-2 kHz, 12 cyc.)
Resistance to Solvents	MIL-STD-202, Method 215A
Flammability	min. UL 94V-1 (acc. to EIA/IS-722, Test 4.12)

### Dimensions



Drilling diagram

## Pre-Arcing Time

Rated Current In 1.0 x In min. 2.0 x In max.

0.063 A - 10 A	4 h	60 s
----------------	-----	------

## Variants

S = Short Terminals  
L = Long Terminals  
T = Taped and Reeled

Rated Current [A]	Rated Voltage [VAC]	Breaking Capacity	Voltage Drop 1.0 In typ. [mV]	Power Dissipation 1.0 In typ. [mW]	Melting I <sup>2</sup> t 10.0 In typ. [A <sup>2</sup> s]	cULus CCC			Order Number
						S	L	T	
0.063	250	1)	544	37	0.0176	●	●	●	0034.7103
0.08	250	1)	413	38	0.0313	●	●	●	0034.7104
0.1	250	1)	318	35	0.0456	●	●	●	0034.7105
0.125	250	1)	289	40	0.0567	●	●	●	0034.7106
0.16	250	1)	219	38	0.0692	●	●	●	0034.7107
0.2	250	1)	262	60	0.133	●	●	●	0034.7108
0.25	250	1)	202	55	0.258	●	●	●	0034.7109
0.315	250	1)	168	49	0.361	●	●	●	0034.7110
0.4	250	1)	159	69	0.528	●	●	●	0034.7111
0.5	250	1)	143	78	0.898	●	●	●	0034.7112
0.63	250	1)	124	85	2.24	●	●	●	0034.7113
0.8	250	1)	114	98	4.05	●	●	●	0034.7114
1	250	1)	100	107	6.85	●	●	●	0034.7115
1.25	250	1)	94	127	7.93	●	●	●	0034.7116
1.6	250	1)	85	145	17.5	●	●	●	0034.7117
2	250	1)	80	175	28.6	●	●	●	0034.7118
2.5	250	1)	75	205	40.9	●	●	●	0034.7119
3.15	250	1)	71	240	55	●	●	●	0034.7120
4	250	1)	72	303	67.2	●	●	●	0034.7121
5	250	1)	70	376	142	●	●	●	0034.7122
6.3	250	1)	68	488	287	●	●	●	0034.7123
8	250	1)	50	445	422	●	●	●	0034.7124
10	250	1)	50	630	564	●	●	●	0034.7125
0.063	250	1)	544	37	0.0176	●	●	●	0034.7203
0.08	250	1)	413	38	0.0313	●	●	●	0034.7204
0.1	250	1)	318	35	0.0456	●	●	●	0034.7205
0.125	250	1)	289	40	0.0567	●	●	●	0034.7206
0.16	250	1)	219	38	0.0692	●	●	●	0034.7207
0.2	250	1)	262	60	0.133	●	●	●	0034.7208
0.25	250	1)	202	55	0.258	●	●	●	0034.7209
0.315	250	1)	168	49	0.361	●	●	●	0034.7210
0.4	250	1)	159	69	0.528	●	●	●	0034.7211
0.5	250	1)	143	78	0.898	●	●	●	0034.7212
0.63	250	1)	124	85	2.24	●	●	●	0034.7213
0.8	250	1)	114	98	4.05	●	●	●	0034.7214
1	250	1)	100	107	6.85	●	●	●	0034.7215
1.25	250	1)	94	127	7.93	●	●	●	0034.7216
1.6	250	1)	85	145	17.5	●	●	●	0034.7217
2	250	1)	80	175	28.6	●	●	●	0034.7218
2.5	250	1)	75	205	40.9	●	●	●	0034.7219
3.15	250	1)	71	240	55	●	●	●	0034.7220
4	250	1)	72	303	67.2	●	●	●	0034.7221
5	250	1)	70	376	142	●	●	●	0034.7222
6.3	250	1)	68	488	287	●	●	●	0034.7223
8	250	1)	50	445	422	●	●	●	0034.7224
10	250	1)	50	630	564	●	●	●	0034.7225

