

PLEASE CHECK WWW.MOLEX.COM FOR LATEST PART INFORMATION

Part Number: [0345650003](#)
Status: **Active**
Overview: [mx123 sealed connection systems](#)
Description: MX123™ 73/80 Circuit Dress Cover

Documents:

[Drawing \(PDF\)](#) [RoHS Certificate of Compliance \(PDF\)](#)
[Product Specification PS-34566-0000 \(PDF\)](#)

General

Product Family	Accessories
Series	34565
Component Type	Cover
Overview	mx123 sealed connection systems
Product Name	MX123

Physical

Circuits (Loaded)	0
Color - Resin	Black
Lock to Mating Part	Yes
Material - Resin	Polyester Alloy
Packaging Type	Carton

Material Info

Reference - Drawing Numbers

Packaging Specification	PK-31300-180
Product Specification	PS-34566-0000
Sales Drawing	SD-34565-001



EU RoHS

**ELV and RoHS
Compliant**
**REACH SVHC
Contains SVHC: No**
**Halogen-Free
Status**
Not Reviewed

China RoHS



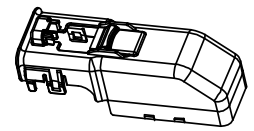
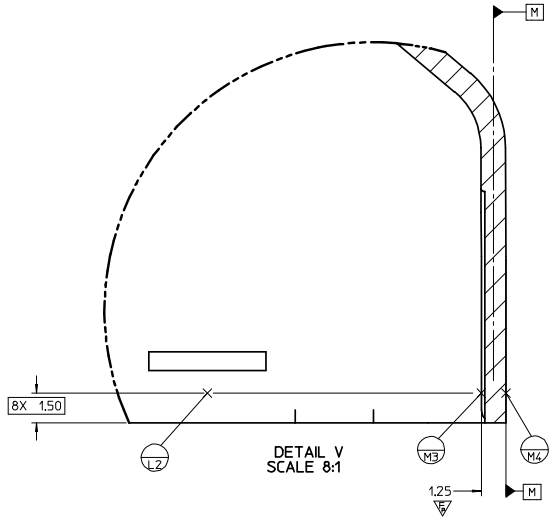
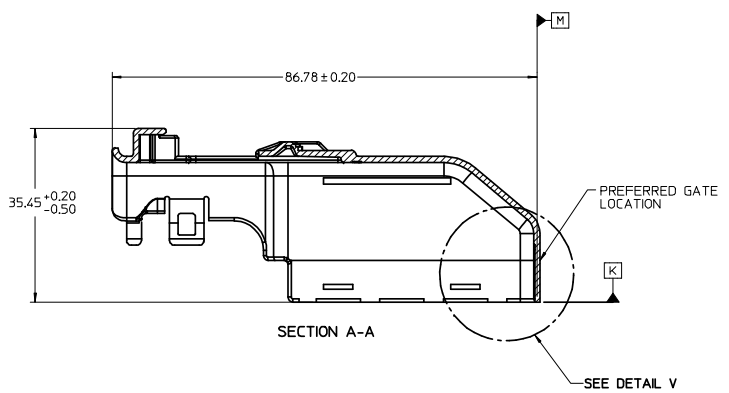
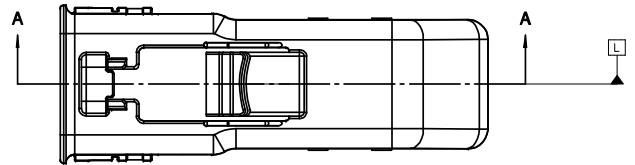
**Need more information on product
environmental compliance?**

Email productcompliance@molex.com
 For a multiple part number RoHS Certificate of
 Compliance, [click here](#)

Please visit the [Contact Us](#) section for any
 non-product compliance questions.

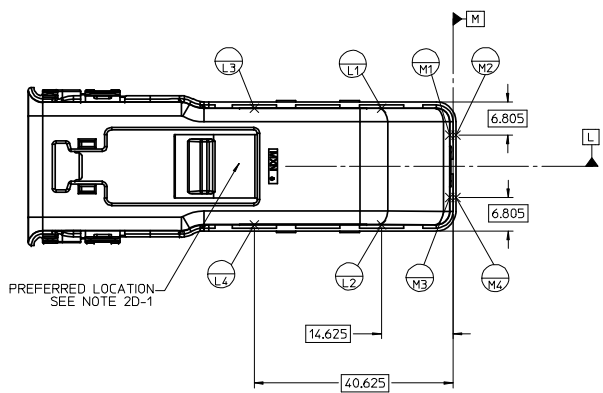
Search Parts in this Series
[34565Series](#)

PLEASE CHECK WWW.MOLEX.COM FOR LATEST PART INFORMATION



NOTES: UNLESS OTHERWISE SPECIFIED

1. MATERIAL:
- A. RESIN: PBT, G.F. 30%
20% MAX. REGRIND (BY WEIGHT)
 - B. COLOR: SEE TABLE
2. DESIGN - GENERAL:
- A. THIS IS A 100% CAD GENERATED PART. THE CAD MATHEMATICAL DATA IS THE MASTER FOR THIS PART. FOR DIMENSIONAL OR ANY INFORMATION NOT SHOWN ON THIS DRAWING, ANALYZE THE CAD MODEL.
 - B. TOLERANCES:
 - a. LINEAR X.X ± 0.30
X.XX ± 0.10
X.XXX ± 0.10
 - b. ANGULAR X° ± 3.0°
 - C. CORNERS SHOWN AS SHARP TO BE R 0.2 MAX.
 - D-1. FOLLOWING PRODUCTION CODES TO BE PRESENT
 - a. DATE CODE
 - b. CAVITY ID
 - E-1. PARTS MUST BE FREE OF DISCOLORATION, SALT RESIDUE AND OTHER IMPERFECTIONS THAT AFFECT FIT OR FUNCTION.
 - E-2. SCRATCHES OR DENTS NOT TO EXCEED 0.13mm IN DEPTH.
 - F. CHANGES IN DESIGN FROM PART PREVIOUSLY APPROVED REQUIRES PRIOR ENGINEERING APPROVAL. THIS INCLUDES BUT IS NOT LIMITED TO DRAFT, MATERIAL OR PROCESSING.
3. DESIGN - MANUFACTURING:
- A. DRAFT TO BE WITHIN TOLERANCE.
 - B. ALLOWABLE FLASH 0.2 MAX HIGH X 0.13 MAX THICK.
 - C. ALLOWABLE PARTING LINE MISMATCH 0.2 MAX.
 - D. EJECTOR PINS MARK TO BE FLUSH TO 0.25 MAX DEPRESSED.
 - E. ALLOWABLE GATE VESTIGE TO BE FLUSH TO 0.25 MAX PROTRUSION.



AUTOMATION ENGINEERING FUNCTIONAL ASSEMBLY: 0
 CUSTOMER FUNCTIONAL CUSTOMER: 0
 PRODUCT ENGINEERING FUNCTIONAL PRODUCT: 1

34565-0003		D	BLACK	SALEABLE	D3		RELEASED INTO ONE-SPACE FROM PRO-E
MATERIAL NO.	MATERIAL REV	COLOR	STATUS	D3 REV	DESCRIPTION		
GENERAL TOLERANCES (UNLESS SPECIFIED)		DIMENSION STYLE		SCALE	DESIGN UNITS	THIRD ANGLE PROJECTION	
		MM ONLY		2:1	METRIC	MX123 73/80 CKT DRESS COVER	
QUALITY SYMBOLS		DRAWN BY DATE		TITLE			
▽=0 ▽=0		SRAJENDRANAT 2008/05/02		MOLEX INCORPORATED			
		CHECKED BY DATE		DOCUMENT NO.			
		TSK IVER 2008/05/02		SD-34565-001			
		APPROVED BY DATE		SHEET NO.			
		VKOSHY 2008/05/02		1 OF 1			
DRAFT WHERE APPLICABLE MUST REMAIN WITHIN DIMENSIONS		MATERIAL NO.		SIZE			
		AS NOTED		THIS DRAWING CONTAINS INFORMATION THAT IS PROPRIETARY TO MOLEX INCORPORATED AND SHOULD NOT BE USED WITHOUT WRITTEN PERMISSION			