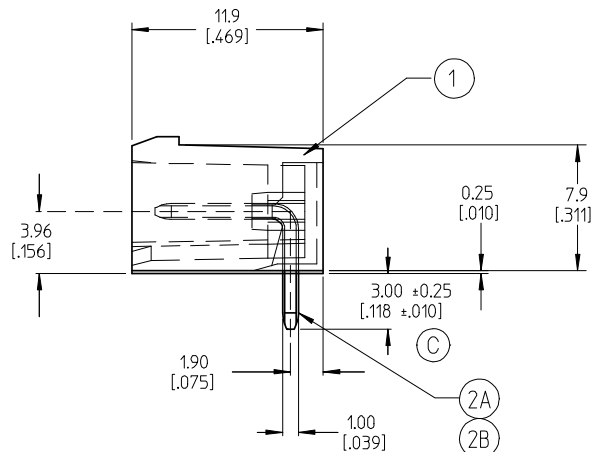
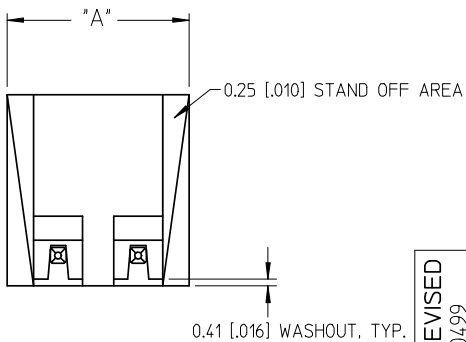
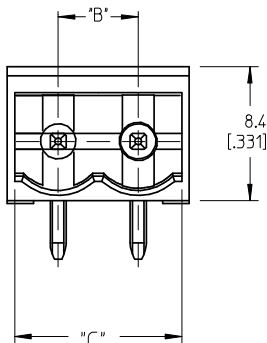


RECOMMENDED PLATED THRU HOLE PATTERN  
SCALE 2:1



- NOTES  
 1. .0055 INCH/INCH ALLOWABLE BOW  
 2. SEE SHEET 2 OF 2 FOR IMPRINTING OPTIONS.  
 3. ALL COMPONENTS ARE ROHS COMPLIANT.

|      |      |             |               |        |
|------|------|-------------|---------------|--------|
| 2B   | *XX* | HEADER PIN  | BRASS         | GOLD   |
| 2A   | *XX* | HEADER PIN  | BRASS         | TIN    |
| 1    | 1    | SR BTS      | THERMOPLASTIC | BLACK  |
| ITEM | QTY  | DESCRIPTION | MATERIAL      | FINISH |

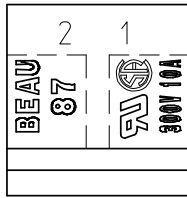
**REDRAWN & REVISED**  
 EC NO: ETC2006-0499  
 DRAWN:EHILE 2006/06/27  
 CHKD:RDEROSS 2006/06/28  
 APPR:RDEROSS 2006/07/03

QUALITY SYMBOLS  
 ▽=0  
 ▽=0

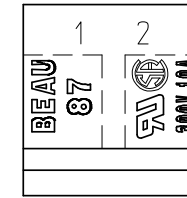
| GENERAL TOLERANCES (UNLESS SPECIFIED)                |               |
|--|---------------|
|  | mm INCH       |
| 4 PLACES   | ± --- ±.0015  |
| 3 PLACES   | ± 0.038 ±.005 |
| 2 PLACES   | ± 0.13 ±.01   |
| 1 PLACE  | ± 0.3 ± ---   |
| ANGULAR ± 2 °  |               |
| DRAFT WHERE APPLICABLE MUST REMAIN WITHIN DIMENSIONS |               |

| DIMENSION STYLE |            |
|-----------------|------------|
| MM/IN           |            |
| DRAWN BY        | DATE       |
| R. KEMP         | 2002/01/08 |
| CHECKED BY      | DATE       |
| P. WALTZ        | 2002/01/09 |
| APPROVED BY     | DATE       |
| L. ROTHHAUS     | 2002/01/09 |
| MATERIAL NO.    | SEE CHART  |
| SIZE            | B          |

|   |              |                        |
|---|--------------|------------------------|
| SCALE   | DESIGN UNITS | THIRD ANGLE PROJECTION |
| 3:1   | INCH         |                        |
| TITLE   |              |                        |
| HEADER, RA, CLOSED END, ASSY, .197 CENTER W/.010 STAND-OFF, HIGH TEMP   |              |                        |
| MOLEX INCORPORATED  |              |                        |
| DOCUMENT NO.  | SHEET NO.    |                        |
| SD-39870-009  | 1 OF 2       |                        |
| THIS DRAWING CONTAINS INFORMATION THAT IS PROPRIETARY TO MOLEX INCORPORATED AND SHOULD NOT BE USED WITHOUT WRITTEN PERMISSION |              |                        |



IMPRINTING STYLE 11A



IMPRINTING STYLE 10A

| # OF CIRCUITS | mm DIM. *A* INCH | mm DIM. *B* INCH | mm DIM. *C* INCH | MATERIAL #. W/ TIN PIN | MATERIAL #. W/GOLD PIN | MATERIAL #. -10A | MATERIAL #. -11A |            |            |            |
|---------------|------------------|------------------|------------------|------------------------|------------------------|------------------|------------------|------------|------------|------------|
| 02            | 11.56            | .455             | 5.00             | .197                   | 10.59                  | .417             | 39870-1402       | 39871-1402 | 39872-1402 | 39873-1402 |
| 03            | 16.56            | .652             | 10.00            | .394                   | 15.59                  | .614             | 39870-1403       | 39871-1403 | 39872-1403 | 39873-1403 |
| 04            | 21.56            | .849             | 15.00            | .591                   | 20.59                  | .811             | 39870-1404       | 39871-1404 | 39872-1404 | 39873-1404 |
| 05            | 26.56            | 1.046            | 20.00            | .787                   | 25.59                  | 1.008            | 39870-1405       | 39871-1405 | 39872-1405 | 39873-1405 |
| 06            | 31.56            | 1.243            | 25.00            | .984                   | 30.59                  | 1.205            | 39870-1406       | 39871-1406 | 39872-1406 | 39873-1406 |
| 07            | 36.56            | 1.440            | 30.00            | 1.181                  | 35.59                  | 1.402            | 39870-1407       | 39871-1407 | 39872-1407 | 39873-1407 |
| 08            | 41.56            | 1.637            | 35.00            | 1.378                  | 40.59                  | 1.599            | 39870-1408       | 39871-1408 | 39872-1408 | 39873-1408 |
| 09            | 46.56            | 1.834            | 40.00            | 1.575                  | 45.59                  | 1.796            | 39870-1409       | 39871-1409 | 39872-1409 | 39873-1409 |
| 10            | 51.56            | 2.031            | 45.00            | 1.772                  | 50.59                  | 1.993            | 39870-1410       | 39871-1410 | 39872-1410 | 39873-1410 |
| 11            | 56.56            | 2.228            | 50.00            | 1.969                  | 55.59                  | 2.190            | 39870-1411       | 39871-1411 | 39872-1411 | 39873-1411 |
| 12            | 61.56            | 2.425            | 55.00            | 2.165                  | 60.59                  | 2.387            | 39870-1412       | 39871-1412 | 39872-1412 | 39873-1412 |
| 13            | 66.56            | 2.622            | 60.00            | 2.362                  | 65.59                  | 2.584            | 39870-1413       | 39871-1413 | 39872-1413 | 39873-1413 |
| 14            | 71.56            | 2.819            | 65.00            | 2.559                  | 70.59                  | 2.781            | 39870-1414       | 39871-1414 | 39872-1414 | 39873-1414 |
| 15            | 76.56            | 3.016            | 70.00            | 2.756                  | 75.59                  | 2.978            | 39870-1415       | 39871-1415 | 39872-1415 | 39873-1415 |
| 16            | 81.56            | 3.213            | 75.00            | 2.953                  | 80.59                  | 3.175            | 39870-1416       | 39871-1416 | 39872-1416 | 39873-1416 |

|  |                               |                                       |         |                            |                    |   |                              |                        |  |  |  |
|--|-------------------------------|---------------------------------------|---------|----------------------------|--------------------|---|------------------------------|------------------------|--|--|--|
| REDRAWN & REVISED<br>EIC NO: ETC2006-0499<br>DRW:EHILE 2006/06/27<br>CHK:RDEROSS 2006/06/28<br>APPR:RDEROSS 2006/07/03 | QUALITY SYMBOLS<br>▽=0<br>▽=0 | GENERAL TOLERANCES (UNLESS SPECIFIED) |         | DIMENSION STYLE<br>MM/IN   |                    | SCALE<br>3:1  | DESIGN UNITS<br>INCH         | THIRD ANGLE PROJECTION |  |  |  |
|  |                               | 4 PLACES ± --- ±.0015                 | mm INCH | DRAWN BY<br>R. KEMP        | DATE<br>2002/01/08 | TITLE<br>HEADER, RA, CLOSED END, ASSY, .197 CENTER W/.010 STAND-OFF, HIGH TEMP  |                              |                        |  |  |  |
|  |                               | 3 PLACES ± 0.038 ±.005                |         | CHECKED BY<br>P. WALTZ     | DATE<br>2002/01/09 | MOLEX INCORPORATED  |                              |                        |  |  |  |
|  |                               | 2 PLACES ± 0.13 ±.01                  |         | APPROVED BY<br>L. ROTHHAUS | DATE<br>2002/01/09 | MATERIAL NO.<br>SEE CHART   | DOCUMENT NO.<br>SD-39870-009 | SHEET NO.<br>2 OF 2    |  |  |  |
|  |                               | 1 PLACE ± 0.3 ± ---                   |         | ANGULAR ± 2 °              |                    | THIS DRAWING CONTAINS INFORMATION THAT IS PROPRIETARY TO MOLEX INCORPORATED AND SHOULD NOT BE USED WITHOUT WRITTEN PERMISSION |                              |                        |  |  |  |
| DRAFT WHERE APPLICABLE MUST REMAIN WITHIN DIMENSIONS   |                               |                                       |         |                            |                    |   |                              |                        |  |  |  |