

PLEASE CHECK WWW.MOLEX.COM FOR LATEST PART INFORMATION

Part Number: [0398800303](#)
Status: **Active**
Description: 5.08mm(.200") Pitch, Beau™ Eurostyle™ Low Profile, Fixed Block, Modular, 3 Circuits

Documents:

[3D Model](#) [RoHS Certificate of Compliance \(PDF\)](#)
[Drawing \(PDF\)](#)

Agency Certification

UL E48521

General

Product Family	Terminal Blocks
Series	39880
Application	Wire-to-Board
Component Type	One Piece
Product Literature Order No	USA-260
Product Name	Eurostyle™ Fixed Mount
Type	Euro Block

Physical

Circuits (Loaded)	3
Entry Angle	Horizontal
Flammability	94V-0
Lock to Mating Part	None
Number of Rows	1
Orientation	Vertical
PC Tail Length (in)	0.138 In
PC Tail Length (mm)	3.50 mm
PCB Retention	None
PCB Thickness Recommended (in)	0.093 In
PCB Thickness Recommended (mm)	2.40 mm
Panel Mount	No
Pitch - Mating Interface (in)	0.200 In
Pitch - Mating Interface (mm)	5.08 mm
Pitch - Term. Interface (in)	0.200 In
Pitch - Term. Interface (mm)	5.08 mm
Polarized to Mating Part	N/A
Shrouded	Fully
Stackable	Yes
Temperature Range - Operating	105°C
Wire Size AWG	16, 18, 20, 22, 24, 26, 28, 30
Wire Size mm²	0.20 - 1.50

Electrical

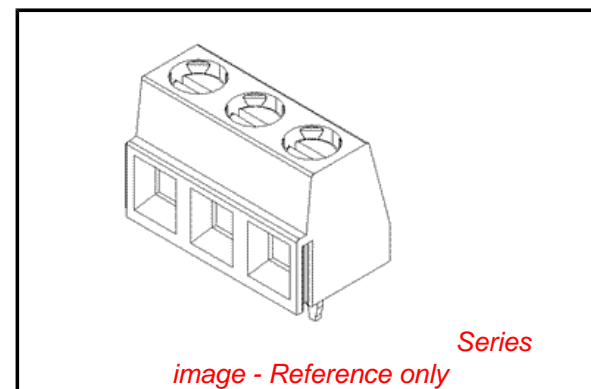
Current - Maximum per Contact	13.5A
Voltage - Maximum	300V

Material Info

Old Part Number	880103
-----------------	--------

Reference - Drawing Numbers

Sales Drawing	SD-39880-003
---------------	--------------



EU RoHS

RoHS Compliant by Exemption
REACH SVHC
Contains SVHC: No
Halogen-Free
Status
Not Reviewed

China RoHS



Need more information on product environmental compliance?

Email productcompliance@molex.com
 For a multiple part number RoHS Certificate of Compliance, [click here](#)

Please visit the [Contact Us](#) section for any non-product compliance questions.

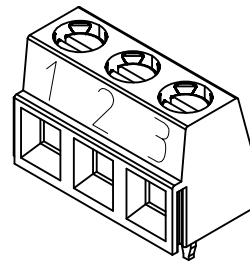
Search Parts in this Series

[39880Series](#)

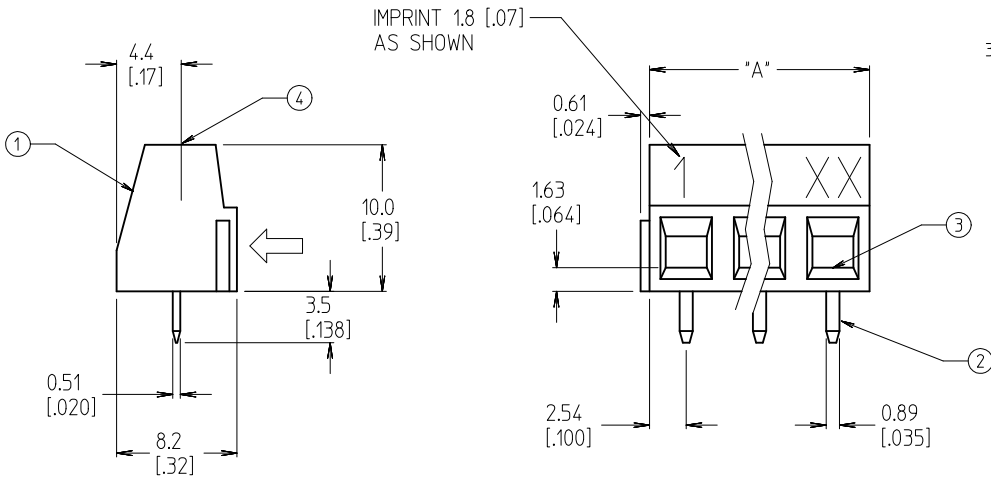
Mates With

N/A

PLEASE CHECK WWW.MOLEX.COM FOR LATEST PART INFORMATION



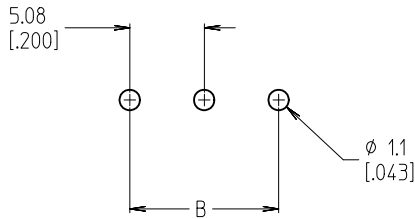
3 CIRCUIT SHOWN



IMPRINT 1.8 [.07]
AS SHOWN

NOTES:

1. MATERIAL: SEE TABLE
2. FINISHES: SEE TABLE
3. ASSEMBLY IS ROHS COMPLIANT BY EXEMPTION. COMPONENTS MARKED WITH AN ASTERISK (*) ARE ROHS COMPLIANT BY EXEMPTION. ALL OTHERS ARE ROHS COMPLIANT.
4. INCH DIMS ARE SHOWN IN BRACKETS [XXX].



MATERIAL NO. 10A, GREEN	MATERIAL NO. 10A, BLACK	MATERIAL NO. (GREEN)	MATERIAL NO. (BLACK)	NO. OF CIRCUITS "XX"	DIM. "A"	DIM. "B"
	398820302	398804302	398800302	02	10.2 [.40]	5.08 [.200]
	398820303	398804303	398800303	03	15.2 [.60]	10.16 [.400]
	398820304	398804304	398800304	04	20.3 [.80]	15.24 [.600]
		398804305	398800305	05	25.4 [1.00]	20.32 [.800]
		398804306	398800306	06	30.5 [1.20]	25.40 [1.000]
		398804307	398800307	07	35.6 [1.40]	30.48 [1.200]
398890028		398804308	398800308	08	40.6 [1.60]	35.56 [1.400]
		398804309	398800309	09	45.7 [1.80]	40.64 [1.600]
		398804310	398800310	10	50.8 [2.00]	45.72 [1.800]
		398804311	398800311	11	55.9 [2.20]	50.80 [2.000]
		398804312	398800312	12	61.0 [2.40]	55.88 [2.200]
		398804313	398800313	13	66.0 [2.60]	60.96 [2.400]
		398804314	398800314	14	71.1 [2.80]	66.04 [2.600]
		398804315	398800315	15	76.2 [3.00]	71.12 [2.800]
		398804316	398800316	16	81.3 [3.20]	76.20 [3.000]
		398804317	398800317	17	86.4 [3.40]	81.28 [3.200]
		398804318	398800318	18	91.4 [3.60]	86.36 [3.400]
		398804319	398800319	19	96.5 [3.80]	91.44 [3.600]
		398804320	398800320	20	101.6 [4.00]	96.52 [3.800]
		398804321	398800321	21	106.7 [4.20]	101.60 [4.000]
		398804322	398800322	22	111.8 [4.40]	106.68 [4.200]
		398804323	398800323	23	116.8 [4.60]	111.76 [4.400]
		398804324	398800324	24	121.9 [4.80]	116.84 [4.600]
		398804325	398800325	25	127.0 [5.00]	121.92 [4.800]

REVISED & REDRAWN EC NO: WNA2010-0469 DRAWN: CLYORK 2010/01/26 CHKD: DTITUS 2010/01/26 APPR: DTITUS 2010/02/02 DESCRIPTION REV					QUALITY SYMBOLS ▽=0 ▽=0		GENERAL TOLERANCES (UNLESS SPECIFIED) mm INCH 4 PLACES ± --- ± --- 3 PLACES ± --- ± .005 2 PLACES ± 0.13 ± .010 1 PLACE ± 0.3 ± --- ANGULAR ± 2 °		DIMENSION STYLE MM/IN DRAWN BY DATE CLYORK 2010/01/26 CHECKED BY DATE DTITUS 2010/01/26 APPROVED BY DATE DTITUS 2010/02/01		SCALE 3:1 DESIGN UNITS INCH THIRD ANGLE PROJECTION		TITLE 5.08/.200 EUROSTYLE LOW, SINGLE ROW FIXED BLOCK	
					DRAFT WHERE APPLICABLE MUST REMAIN WITHIN DIMENSIONS		MATERIAL NO. SEE CHART		DOCUMENT NO. SD-39880-003		SHEET NO. 1 OF 1			
4	XX	SCREW, M3	COPPER ALLOY	NICKEL PLATED										
3	XX	CAGE CLAMP (*)	COPPER ALLOY	NICKEL PLATED										
2	XX	TERMINAL, PC	COPPER ALLOY	TIN PLATED (E)										
1	1	INSULATOR	POLYAMIDE	BLACK										
ITEM	QTY.	DESCRIPTION	MATERIAL	FINISH										