

**PLEASE CHECK WWW.MOLEX.COM FOR LATEST PART INFORMATION**

**Part Number:** [0399100312](#)  
**Status:** **Active**  
**Description:** 10.16mm (.400") Beau™ Eurostyle™, Fixed Mount PCB Terminal Block, High Voltage, High Power 40A, 12 Circuits

**Documents:**

[3D Model](#) [RoHS Certificate of Compliance \(PDF\)](#)  
[Drawing \(PDF\)](#)

**Agency Certification**

UL E48521

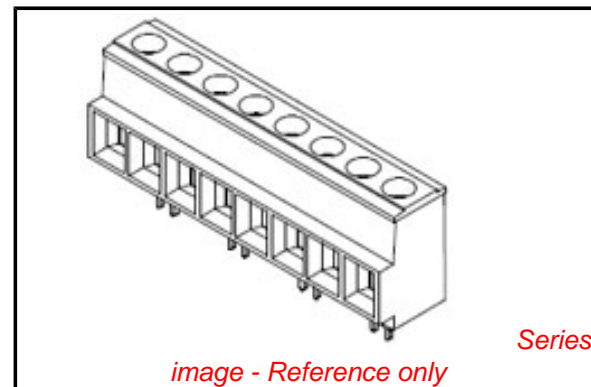
**General**

Product Family	Terminal Blocks
Series	<a href="#">39910</a>
Application	Wire-to-Board
Component Type	One Piece
Product Literature Order No	USA-199
Product Name	Eurostyle™ Fixed Mount
Type	Euro Block

**Physical**

Circuits (Loaded)	12
Circuits (maximum)	12
Color - Resin	Black
Entry Angle	Horizontal
Flammability	94V-0
Lock to Mating Part	None
Material - Metal	Copper
Material - Plating Mating	Tin
Material - Plating Termination	Tin
Material - Resin	Polyester
Number of Rows	1
Orientation	Vertical
PC Tail Length (in)	0.160 In
PC Tail Length (mm)	4.10 mm
PCB Retention	None
Panel Mount	No
Pitch - Mating Interface (in)	0.400 In
Pitch - Mating Interface (mm)	10.16 mm
Pitch - Term. Interface (in)	0.400 In
Pitch - Term. Interface (mm)	10.16 mm
Plating min: Mating (µin)	150
Plating min: Mating (µm)	3.75
Plating min: Termination (µin)	150
Plating min: Termination (µm)	3.75
Polarized to Mating Part	Yes
Shrouded	Fully
Stackable	No
Surface Mount Compatible (SMC)	No
Temperature Range - Operating	130°C
Termination Interface: Style	Through Hole
Wire Size AWG	10, 12, 14, 16, 18, 8
Wire Size mm²	0.75 - 6.0

**Electrical**



*image - Reference only*

**EU RoHS**

**ELV and RoHS  
Compliant**  
**REACH SVHC**  
 Not Reviewed  
**Halogen-Free  
Status**  
**Not Reviewed**

**China RoHS**



**Need more information on product  
environmental compliance?**

Email [productcompliance@molex.com](mailto:productcompliance@molex.com)  
 For a multiple part number RoHS Certificate of Compliance, [click here](#)

Please visit the [Contact Us](#) section for any non-product compliance questions.

**Search Parts in this Series**

[39910Series](#)

**Mates With**

N/A

Current - Maximum per Contact  
Voltage - Maximum

40A  
600V

**Material Info**

Old Part Number

913512

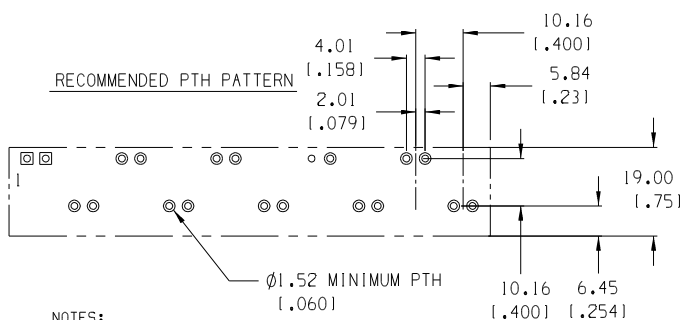
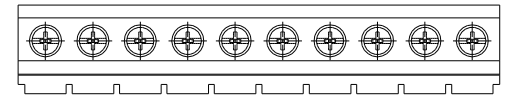
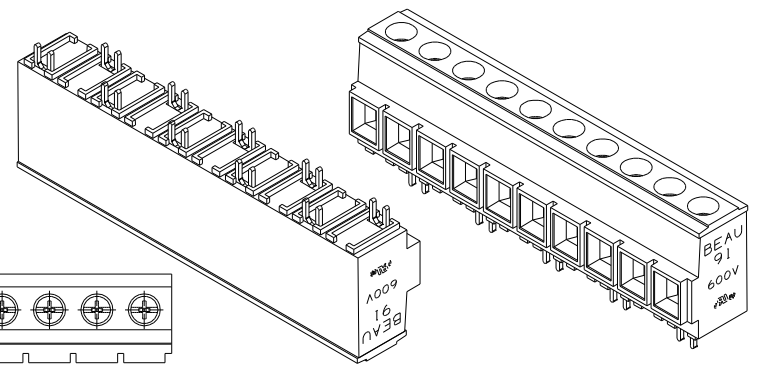
**Reference - Drawing Numbers**

Sales Drawing

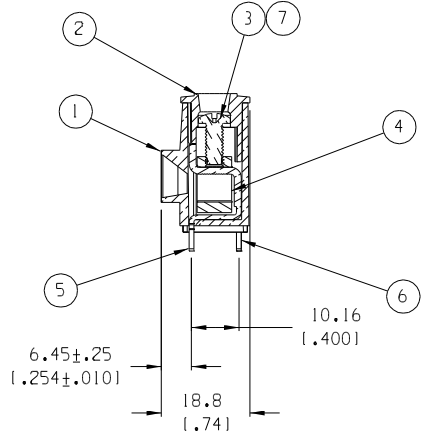
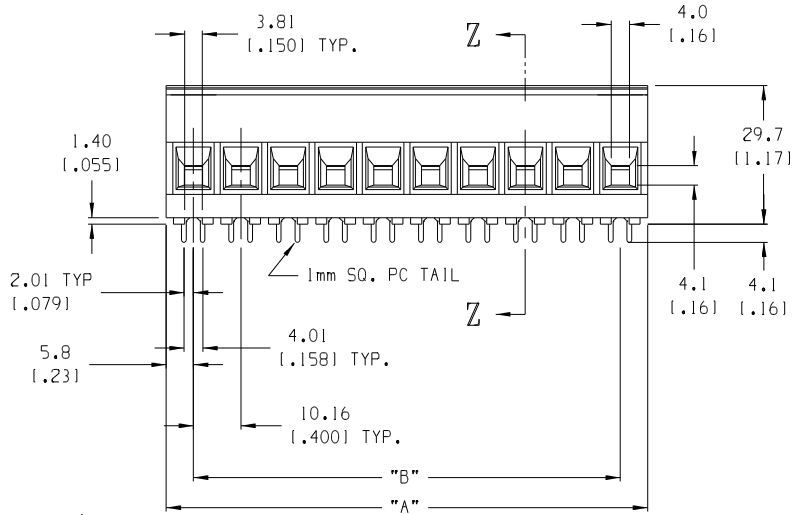
SD-39910-002

This document was generated on 04/27/2010

**PLEASE CHECK [WWW.MOLEX.COM](http://WWW.MOLEX.COM) FOR LATEST PART INFORMATION**



- NOTES:
1. MATERIAL: SEE TABLE
  2. FINISHES: SEE TABLE
  3. PRODUCT SPECIFICATION: NOT REQUIRED
  4. PACKAGING: NOT REQUIRED
  5. MATES WITH: NONE
  6. PART IS DESIGNED TO MEET UL 1059 CLASS C 600V, 40A
  7. STAGGERED PC TAIL POSITION ON ALTERNATE CIRCUITS
  8. "XX" REFERS TO NUMBER OF CIRCUITS
  9. FOR OPTIONAL IMPRINTING, REFER TO SD-38120-005



ITEM	QTY.	DESCRIPTION	MATERIAL	FINISH
7	XX	SCREW, M4, #2 POZI-SLOT, ST. STEEL	ST. STEEL	TIN
6	A/R	REAR TERMINAL	COPPER	TIN
5	A/R	FRONT TERMINAL	COPPER	TIN
4	XX	CAGE	BRASS	NICKEL
3	XX	SCREW, M4, #2 POZI-SLOT, BRONZE	BRONZE	TIN
2	1	COVER	THERMOPLASTIC	BLACK
1	1	BODY	THERMOPLASTIC	BLACK

ECN# 4261  
 DRAWN: RK 10-7-05  
 CH'K:  
 APPR:  
 REV

DESCRIPTION	MAJOR	CRITICAL
	MAJOR	CRITICAL

GENERAL TOLERANCES: (UNLESS SPECIFIED)	
4 PLACES	±.0015
3 PLACES	±.005
2 PLACES	±.13
1 PLACE	±.3
ANGULAR: ±2°	

SCALE	DESIGN UNITS
1:1	<input type="checkbox"/> mm <input checked="" type="checkbox"/> INCH

THIRD ANGLE PROJECTION	
DRAWN BY & DATE	R.STONE 9-13-00
CHECKED BY & DATE	R.KEMP 9-13-02
APPROVED BY & DATE	L.ROTHAUS 9-27-02
CAD FILENAME	9135XX
MATERIAL NO.	SEE CHART
DRAWING NO.	SD-39910-002
SHEET NO.	1 OF 2

THIS DRAWING CONTAINS INFORMATION THAT IS PROPRIETARY TO MOLEX INCORPORATED AND SHOULD NOT BE USED WITHOUT WRITTEN PERMISSION.

SIZE B

MATERIAL	MATERIAL NUMBER	MATERIAL NUMBER	MATERIAL NUMBER	MATERIAL NUMBER	MATERIAL NUMBER	MATERIAL NUMBER	NUMBER	"A" DIM.	"B" DIM.
STD	OPTIONAL 10A IMPRINT	OPTIONAL 11A IMPRINT	OPTIONAL (-56) SS SCREW	OPTIONAL SLOTTED SCREW	OPTIONAL SLOTTED SCREW W/10A IMPRINT	OPTIONAL SLOTTED SCREW W/11A IMPRINT	OF CIRCUITS		
399100302	399110302	399140302	399100602	399100502	399110502	399140502	2	21.84 [1.86]	110.16 [1.400]
399100303	399110303	399140303	399100603	399100503	399110503	399140503	3	32.00 [1.26]	120.32 [1.800]
399100304	399110304	399140304	399100604	399100504	399110504	399140504	4	42.16 [1.66]	130.48 [1.200]
399100305	399110305	399140305	399100605	399100505	399110505	399140505	5	52.32 [2.06]	140.64 [1.600]
399100306	399110306	399140306	399100606	399100506	399110506	399140506	6	62.48 [2.46]	150.80 [2.000]
399100307	399110307	399140307	399100607	399100507	399110507	399140507	7	72.64 [2.86]	160.96 [2.400]
399100308	399110308	399140308	399100608	399100508	399110508	399140508	8	82.80 [3.26]	171.12 [2.800]
399100309	399110309	399140309	399100609	399100509	399110509	399140509	9	92.96 [3.66]	181.28 [3.200]
399100310	399110310	399140310	399100610	399100510	399110510	399140510	10	103.12 [4.06]	191.44 [3.600]
399100311	399110311	399140311	399100611	399100511	399110511	399140511	11	113.28 [4.46]	101.60 [4.000]
399100312	399110312	399140312	399100612	399100512	399110512	399140512	12	123.44 [4.86]	111.76 [4.400]
399100313	399110313	399140313	399100613	399100513	399110513	399140513	13	133.60 [5.26]	121.92 [4.800]
399100314	399110314	399140314	399100614	399100514	399110514	399140514	14	143.76 [5.66]	132.08 [5.200]

EC NO. SEE SHEET DRAWN: ONE CH: K1 APPR: REV	QUALITY SYMBOLS MAJOR CRITICAL SPC S	DESCRIPTION C S	GENERAL TOLERANCES: (UNLESS SPECIFIED) mm      INCH		SCALE N/A	DESIGN UNITS <input type="checkbox"/> mm <input checked="" type="checkbox"/> INCH	THIRD ANGLE PROJECTION 	DIMENSIONS: <input checked="" type="checkbox"/> mm <input type="checkbox"/> INCH <input type="checkbox"/> mm ONLY	PROJECT NO. - -	SHT -	REV -
			DRAWN BY & DATE J. FARMER    08-10-04	TITLE: SR BTS 8 AWG ASSY, 600V 40 A							
			CHECKED BY & DATE R. STONE    08-10-04	APPROVED BY & DATE GHR    08-10-04							
			CAD FILENAME 9135XX.PRT	MATERIAL NO. SEE CHART	DRAWING NO. SD-39910-002	SHEET NO. 2 OF 2					
DRAFT WHERE APPLICABLE MUST REMAIN WITHIN DIMENSIONS								THIS DRAWING CONTAINS INFORMATION THAT IS PROPRIETARY TO MOLEX INCORPORATED AND SHOULD NOT BE USED WITHOUT WRITTEN PERMISSION.			SIZE B