

PLEASE CHECK WWW.MOLEX.COM FOR LATEST PART INFORMATION

Part Number: [0399200302](#)
Status: **Active**
Description: 15.00mm (.591") Beau™ Eurostyle™, Fixed Mount PCB Terminal Block, High Voltage, High Power 115.0A, 2 Circuits

Documents:

[3D Model](#) [RoHS Certificate of Compliance \(PDF\)](#)
[Drawing \(PDF\)](#)

Agency Certification

UL E48521

General

| | |
|-----------------------------|------------------------|
| Product Family | Terminal Blocks |
| Series | 39920 |
| Application | Wire-to-Board |
| Component Type | One Piece |
| Product Literature Order No | USA-199 |
| Product Name | Eurostyle™ Fixed Mount |
| Type | Euro Block |

Physical

| | |
|--------------------------------|------------------|
| Circuits (Loaded) | 2 |
| Color - Resin | Black |
| Entry Angle | Horizontal |
| Flammability | 94V-0 |
| Lock to Mating Part | None |
| Material - Metal | Brass |
| Material - Plating Mating | Tin |
| Material - Plating Termination | Tin |
| Material - Resin | Polyester |
| Number of Rows | 1 |
| Orientation | Vertical |
| PC Tail Length (in) | 0.250 In |
| PC Tail Length (mm) | 6.35 mm |
| PCB Retention | Yes |
| Panel Mount | No |
| Pitch - Mating Interface (in) | 0.591 In |
| Pitch - Mating Interface (mm) | 15.00 mm |
| Pitch - Term. Interface (in) | 0.591 In |
| Pitch - Term. Interface (mm) | 15.00 mm |
| Plating min: Mating (µin) | 150 |
| Plating min: Mating (µm) | 3.75 |
| Plating min: Termination (µin) | 150 |
| Plating min: Termination (µm) | 3.75 |
| Polarized to Mating Part | Yes |
| Shrouded | Fully |
| Stackable | No |
| Surface Mount Compatible (SMC) | No |
| Temperature Range - Operating | 130°C |
| Termination Interface: Style | Through Hole |
| Wire Size AWG | 1, 2, 3, 4, 6, 8 |
| Wire Size mm² | 10.0 - 35 |

Electrical

Current - Maximum per Contact 11A

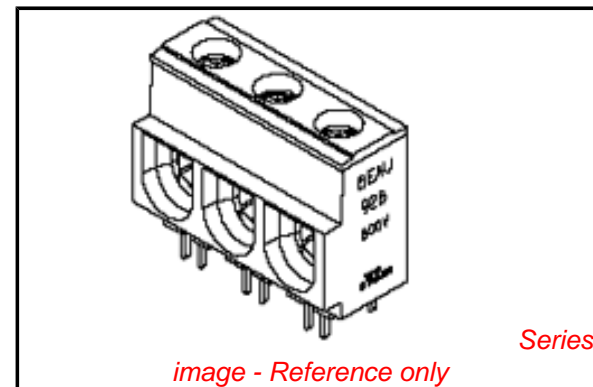


image - Reference only

Series

EU RoHS

**ELV and RoHS
Compliant**
REACH SVHC
 Not Reviewed
**Halogen-Free
Status**
 Not Reviewed

China RoHS



**Need more information on product
environmental compliance?**

Email productcompliance@molex.com
 For a multiple part number RoHS Certificate of Compliance, [click here](#)

Please visit the [Contact Us](#) section for any non-product compliance questions.

Search Parts in this Series

[39920Series](#)

Mates With

N/A

Voltage - Maximum

600V

Solder Process Data

Lead-free Process Capability

Wave Capable (TH only)

Material Info

Old Part Number

92B0502

Reference - Drawing Numbers

Sales Drawing

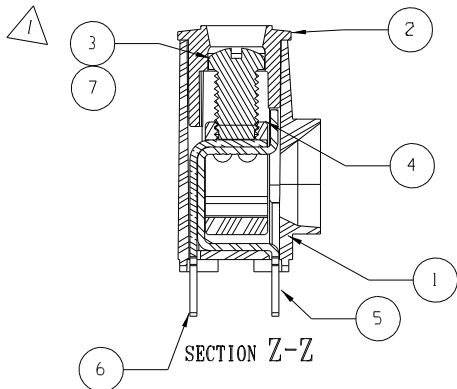
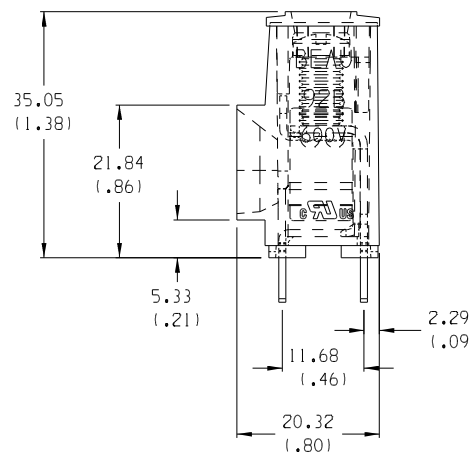
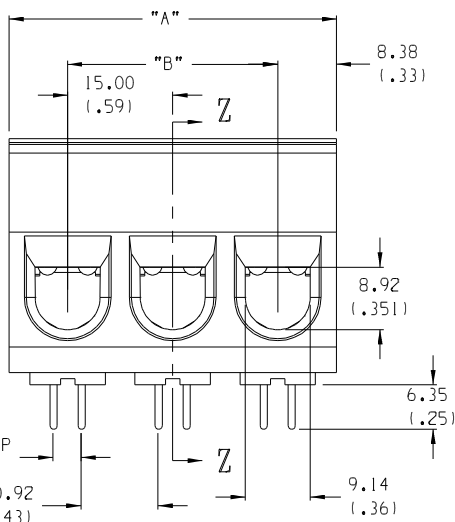
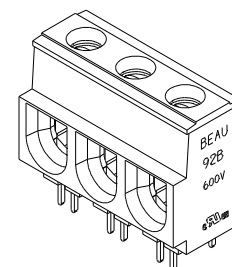
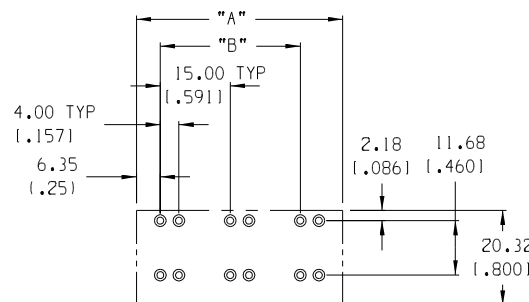
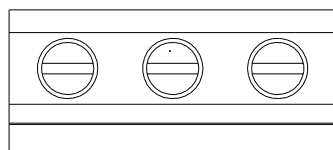
SD-39920-006

This document was generated on 04/27/2010

PLEASE CHECK WWW.MOLEX.COM FOR LATEST PART INFORMATION

LENGTH TABLE

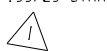
| MATERIAL NO. (STANDARD) | MATERIAL NO. (-56 OPT.) | NO. OF CIRCUITS | "B" | "A" |
|-------------------------|-------------------------|-----------------|---------------|------------|
| F 399200302 | 399200602 | 02 | 15.0 (.591) | 32 (1.25) |
| 399200303 | 399200603 | 03 | 30.0 (1.181) | 47 (1.84) |
| 399200304 | 399200604 | 04 | 45.0 (1.772) | 62 (2.43) |
| 399200305 | 399200605 | 05 | 60.0 (2.362) | 77 (3.02) |
| 399200306 | 399200606 | 06 | 75.0 (2.952) | 92 (3.61) |
| 399200307 | 399200607 | 07 | 90.0 (3.543) | 107 (4.20) |
| 399200308 | 399200608 | 08 | 105.0 (4.134) | 122 (4.79) |
| E 399200309 | 399200609 | 09 | 120.0 (4.724) | 137 (5.38) |
| 399200310 | 399200610 | 10 | 135.0 (5.315) | 152 (5.97) |
| 399200311 | 399200611 | 11 | 150.0 (5.906) | 167 (6.57) |
| 399200312 | 399200612 | 12 | 165.0 (6.496) | 182 (7.16) |



NOTES:

- MATERIAL: SEE TABLE.
- FINISHES: SEE TABLE.
- PRODUCT SPECIFICATION: NOT REQUIRED.
- PACKAGING: NOT REQUIRED.
- MATES WITH: NONE.
- ALL FEATURES ARE TYPICAL UNLESS OTHERWISE NOTED.
- "XX" REFERS TO THE NUMBER OF CIRCUIT POSITIONS
- DESIGNED TO MEET NEC & UL 1059 CLASS C 600 VOLTS
- MULTIPLE TAIL DESIGN FOR LOWER PCB CURRENT DENSITIES
- PROVEN PRESSURE CLAMP STYLE CONNECTION
- AVAILABLE IN VARIOUS LENGTHS
- WINDOW ACCEPTS 133/23 STRANDED #2 AWG, #3 AWG AND 19 STRAND #1 AWG

| ITEM | QTY. | DESCRIPTION | MATERIAL | FINISH |
|------|------|-----------------------------------|-----------------|--------|
| 7 | "XX" | SCREW, 1/4-28, SLOTTED, ST. STEEL | STAINLESS STEEL | TIN |
| 6 | "XX" | OUTER TERMINAL | COPPER | TIN |
| 5 | "XX" | INNER TERMINAL | COPPER | TIN |
| 4 | "XX" | CAGE | BRASS | NICKEL |
| 3 | "XX" | SCREW, 1/4-28, SLOTTED, BRONZE | BRONZE | TIN |
| 2 | 1 | COVER | THERMOPLASTIC | BLACK |
| 1 | 1 | BODY | THERMOPLASTIC | BLACK |



| | | |
|-------------------|-------------|-----------------|
| EC NO. 4261 | DESCRIPTION | QUALITY SYMBOLS |
| DRAWN: CY 10-7-05 | MAJOR | |
| CHK: [] | CRITICAL | |
| APPR: [] | C | |
| REV | | |

| GENERAL TOLERANCES: (UNLESS SPECIFIED) | |
|------------------------------------------------------|-------------|
| 4 PLACES | ±.0015 |
| 3 PLACES | ±.038 ±.005 |
| 2 PLACES | ±.13 ±.01 |
| 1 PLACE | ±.3 |
| ANGULAR: ±2° | |
| DRAFT WHERE APPLICABLE MUST REMAIN WITHIN DIMENSIONS | |

| | |
|--------------------|------------------------|
| SCALE 1.5:1 | DESIGN UNITS |
| DRAWN BY & DATE | THIRD ANGLE PROJECTION |
| CHECKED BY & DATE | |
| APPROVED BY & DATE | |
| CAD FILENAME | MATERIAL NO. |
| 92B05XX | SEE CHART |

| | | | |
|--------------------------------------------------------------------------------------------------------------------------------|-------------------------------|--------------------|-----|
| DIMENSIONS: | | SHT | REV |
| <input checked="" type="checkbox"/> mm | <input type="checkbox"/> INCH | | |
| <input type="checkbox"/> mm | <input type="checkbox"/> INCH | | |
| TITLE: SR, BTS, #1-#8 AWG, 600V | | REVISE ON CAD ONLY | |
| MOLEX INCORPORATED | | | |
| DRAWING NO. | SHEET NO. | | |
| SD-39920-006 | 1 OF 1 | | |
| THIS DRAWING CONTAINS INFORMATION THAT IS PROPRIETARY TO MOLEX INCORPORATED AND SHOULD NOT BE USED WITHOUT WRITTEN PERMISSION. | | SIZE B | |