

PLEASE CHECK WWW.MOLEX.COM FOR LATEST PART INFORMATION

Part Number: **0399400318**
Status: **Active**
Description: 5.08mm (.200") Pitch Beau™ EuroMate™ Pluggable PCB Terminal Block, Dual Level, 270° Wire Entry, 18 Circuits

Documents:

[Drawing \(PDF\)](#) [RoHS Certificate of Compliance \(PDF\)](#)
[Product Specification PS-39940-001 \(PDF\)](#)

Agency Certification

UL E48521

General

Product Family Terminal Blocks
 Series [39940](#)
 Application Wire-to-Board
 Comments Gold plating available
 Component Type Plug
 Product Literature Order No USA-264
 Product Name EuroMate™ Pluggable
 Type Euro Block

Physical

Circuits (Loaded) 18
 Color - Resin Black
 Entry Angle Horizontal
 Flammability 94V-0
 Lock to Mating Part None
 Material - Resin Nylon
 Number of Rows 2
 Orientation Vertical
 Panel Mount No
 Pitch - Mating Interface (in) 0.200 In
 Pitch - Mating Interface (mm) 5.08 mm
 Polarized to Mating Part Yes
 Stackable No
 Temperature Range - Operating 130°C
 Termination Interface: Style Screw or Lug
 Wire Size AWG 12, 14, 16, 18, 20, 22
 Wire Size mm² 0.50 - 2.50

Electrical

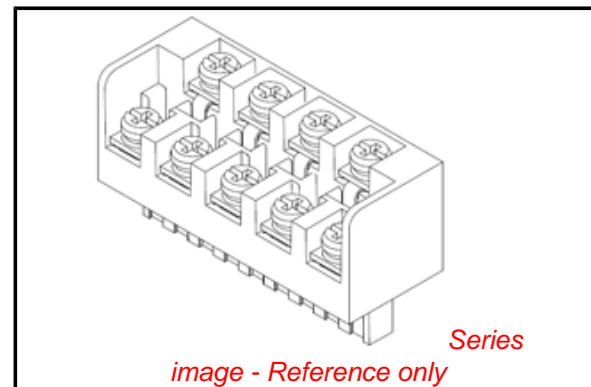
Current - Maximum per Contact 15A
 Voltage - Maximum 300V

Material Info

Old Part Number 940918

Reference - Drawing Numbers

Product Specification PS-39940-001
 Sales Drawing SD-39940-005



EU RoHS

ELV and RoHS Compliant
REACH SVHC
 Not Reviewed
Halogen-Free Status
 Not Reviewed

China RoHS



Need more information on product environmental compliance?

Email productcompliance@molex.com
 For a multiple part number RoHS Certificate of Compliance, [click here](#)

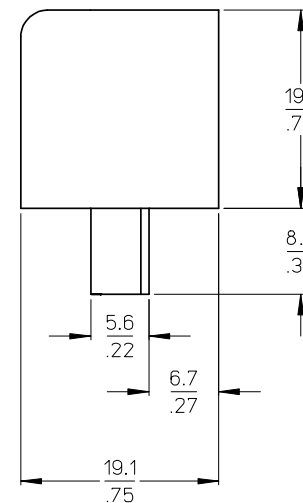
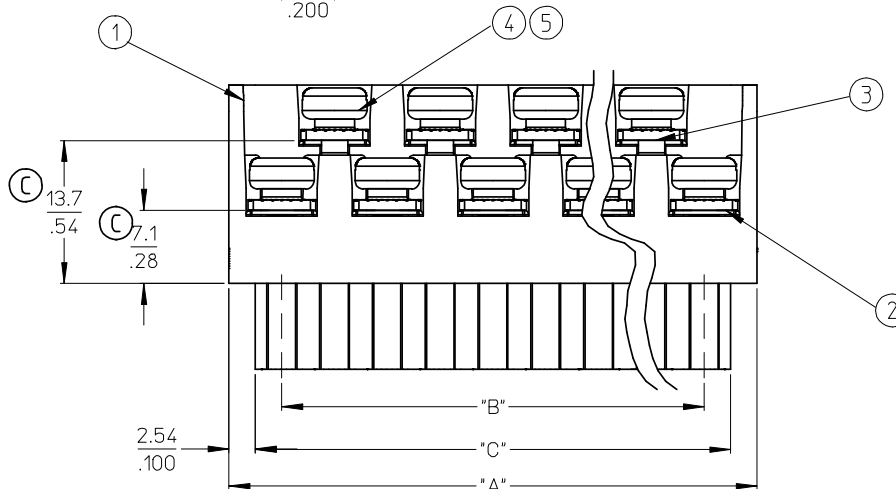
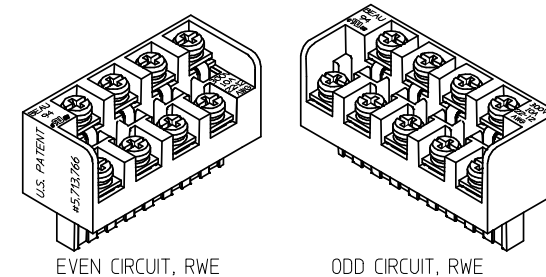
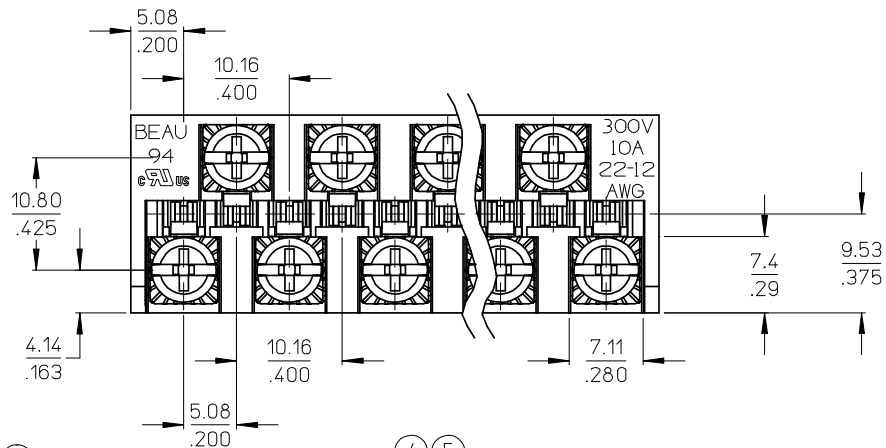
Please visit the [Contact Us](#) section for any non-product compliance questions.

Search Parts in this Series

[39940Series](#)

Mates With

[39531-0018](#) , [39531-1018](#) , [39532-0018](#) , [39532-1018](#)



NOTES:

1. MATERIAL: SEE TABLE
2. FINISHES: SEE TABLE
3. PRODUCT SPECIFICATION: NOT REQUIRED
4. PACKAGING: NOT REQUIRED
5. MATES WITH: MOST 5.08 (.200) PIN HEADERS
6. "XX" REFERS TO THE QUANTITY OF CIRCUITS
7. ROHS COMPLIANT

ODD CIRCUIT CONFIGURATION SHOWN

5	XX	XX	SCREW, M3.5 X .280	STEEL	ZINC CHROMATE
4	XX	XX	NUT, M3.5, HEX	STEEL	ZINC CHROMATE
3	XX/2	(XX-1)/2	REAR ROW TERM. (LONG)	PHOS. BRONZE	HOT TIN DIP
2	XX/2	(XX+1)/2	FRONT ROW TERM. (SHORT)	PHOS. BRONZE	HOT TIN DIP
1	1	1	BARRIER	THERMOPLASTIC	BLACK
ITEM	QTY. (EVEN NO. OF CIRCUITS)	QTY. (ODD NO. OF CIRCUITS)	DESCRIPTION	MATERIAL	FINISH

REVISED & REDRAWN
 EC NO: WNA2008-0391
 DRWN: JENC INAS 2008/07/01
 CH'KD: CYORK 2008/07/02
 APPR: JMACNEIL 2008/07/07

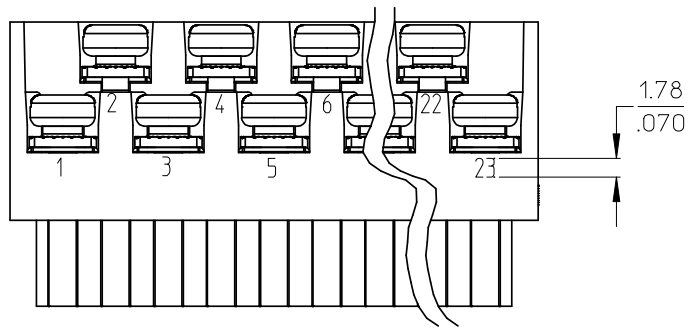
QUALITY SYMBOLS
 ▽=0
 ▽=0

GENERAL TOLERANCES (UNLESS SPECIFIED)	
	mm INCH
4 PLACES	± --- ± ---
3 PLACES	± --- ± .005
2 PLACES	± 0.13 ± .01
1 PLACE	± 0.3 ± ---
ANGULAR ± 2 °	
DRAFT WHERE APPLICABLE MUST REMAIN WITHIN DIMENSIONS	

DIMENSION STYLE	
MM/IN	
DRAWN BY	DATE
J. FARMER	2004/12/03
CHECKED BY	DATE
R. KEMP	2004/12/03
APPROVED BY	DATE
GHR	2004/12/03
MATERIAL NO.	DOCUMENT NO.
SEE SHEET 2	SD-39940-005
SIZE B	THIS DRAWING CONTAINS INFORMATION THAT IS PROPRIETARY TO MOLEX INCORPORATED AND SHOULD NOT BE USED WITHOUT WRITTEN PERMISSION

SCALE	DESIGN UNITS	THIRD ANGLE PROJECTION
2:1	INCH	☉ □
TITLE		
5.08/.200 PLUG ASSY, FWE WITH CLOSED ENDS (9409XX)		
MOLEX MOLEX INCORPORATED		
DOCUMENT NO.		SHEET NO.
SD-39940-005		1 OF 2

NO. OF CIRC. "XX"	"A" DIM.		"B" DIM.		"C" ^{+0.00} _{-.25} [^{+0.000} _{-.010}]		MATERIAL NO. (STANDARD)
03	20.3	[.80]	10.16	[.400]	15.2	[.60]	399400303
04	25.4	[1.00]	15.24	[.600]	20.3	[.80]	399400304
05	30.5	[1.20]	20.32	[.800]	25.4	[1.00]	399400305
06	35.6	[1.40]	25.40	[1.000]	30.5	[1.20]	399400306
07	40.6	[1.60]	30.48	[1.200]	35.6	[1.40]	399400307
08	45.7	[1.80]	35.56	[1.400]	40.6	[1.60]	399400308
09	50.8	[2.00]	40.64	[1.600]	45.7	[1.80]	399400309
10	55.9	[2.20]	45.72	[1.800]	50.8	[2.00]	399400310
11	61.0	[2.40]	50.80	[2.000]	55.9	[2.20]	399400311
12	66.0	[2.60]	55.88	[2.200]	61.0	[2.40]	399400312
13	71.1	[2.80]	60.96	[2.400]	66.0	[2.60]	399400313
14	76.2	[3.00]	66.04	[2.600]	71.1	[2.80]	399400314
15	81.3	[3.20]	71.12	[2.800]	76.2	[3.00]	399400315
16	86.4	[3.40]	76.20	[3.000]	81.3	[3.20]	399400316
17	91.4	[3.60]	81.28	[3.200]	86.4	[3.40]	399400317
18	96.5	[3.80]	86.36	[3.400]	91.4	[3.60]	399400318
19	101.6	[4.00]	91.44	[3.600]	96.5	[3.80]	399400319
20	106.7	[4.20]	96.52	[3.800]	101.6	[4.00]	399400320
21	111.8	[4.40]	101.60	[4.000]	106.7	[4.20]	399400321
22	116.9	[4.60]	106.68	[4.200]	111.8	[4.40]	399400322
23	121.9	[4.80]	111.76	[4.400]	116.8	[4.60]	399400323
24	127.0	[5.00]	116.84	[4.600]	121.9	[4.80]	399400324



OPTIONAL
10A IMPRINTING
(ODD CIRCUIT CONFIGURATION SHOWN)

SEE SHEET ONE EEC NO: WNA2008-0391 DRWN: JENCINAS 2008/07/01 CHKD: CYORK 2008/07/02 APPR: JMACNEIL 2008/07/07	QUALITY SYMBOLS ▽=0 ◻=0	GENERAL TOLERANCES (UNLESS SPECIFIED)		DIMENSION STYLE	SCALE	DESIGN UNITS	THIRD ANGLE PROJECTION	
				MM/IN	2:1	INCH		
				mm	INCH	DRAWN BY DATE		
				4 PLACES ± --- ± ---	J. FARMER 2004/12/03	TITLE		
		3 PLACES ± --- ± .005	CHECKED BY DATE	5.08/.200 PLUG ASSY, FWE WITH CLOSED ENDS (9409XX)				
		2 PLACES ± 0.13 ± .01	R. KEMP 2004/12/03					
		1 PLACE ± 0.3 ± ---	APPROVED BY DATE	MOLEX INCORPORATED				
		ANGULAR ± 2 °	GHR 2004/12/03					
		DRAFT WHERE APPLICABLE MUST REMAIN WITHIN DIMENSIONS		MATERIAL NO.	DOCUMENT NO.	SHEET NO.		
				SEE CHART	SD-39940-005	2 OF 2		
				SIZE B	THIS DRAWING CONTAINS INFORMATION THAT IS PROPRIETARY TO MOLEX INCORPORATED AND SHOULD NOT BE USED WITHOUT WRITTEN PERMISSION			